



US00D847025S

(12) **United States Design Patent** (10) **Patent No.:** **US D847,025 S**
Zavatski et al. (45) **Date of Patent:** **** Apr. 30, 2019**

(54) **AUTOMOBILE BODY**

(71) Applicants: **Irina Zavatski**, Rochester Hills, MI (US); **Vince Christman**, Macomb, MI (US); **Alexander B. McGowen**, Goodrich, MI (US); **John S. Owens**, Pleasant Ridge, MI (US)

(72) Inventors: **Irina Zavatski**, Rochester Hills, MI (US); **Vince Christman**, Macomb, MI (US); **Alexander B. McGowen**, Goodrich, MI (US); **John S. Owens**, Pleasant Ridge, MI (US)

(73) Assignee: **FCA US LLC**, Auburn Hills, MI (US)

(**) Term: **15 Years**

(21) Appl. No.: **29/634,829**

(22) Filed: **Jan. 25, 2018**

(51) **LOC (11) Cl.** **12-08**

(52) **U.S. Cl.**
USPC **D12/91**

(58) **Field of Classification Search**
USPC D12/86, 90-92; D21/424, 433, 434;
296/181.1-181.5, 183.1
CPC B62D 25/00; B62D 25/06; B62D 33/00;
B62D 35/00
See application file for complete search history.

(56) **References Cited**

U.S. PATENT DOCUMENTS

D420,939 S * 2/2000 Faurote D12/91
D500,460 S 1/2005 Allen et al.

D534,097 S * 12/2006 Renkert D12/91
D650,721 S 12/2011 Galante et al.
D693,737 S 11/2013 Hammoud et al.
D703,583 S 4/2014 Howell et al.
D711,784 S 8/2014 Galante et al.
D761,695 S * 7/2016 Faghihzadeh D12/92
D801,861 S * 11/2017 Hubers D12/91
D805,956 S 12/2017 Galante et al.
D823,722 S * 7/2018 Hoste D12/91

* cited by examiner

Primary Examiner — Melody N Brown

(74) *Attorney, Agent, or Firm* — Ralph E. Smith

(57) **CLAIM**

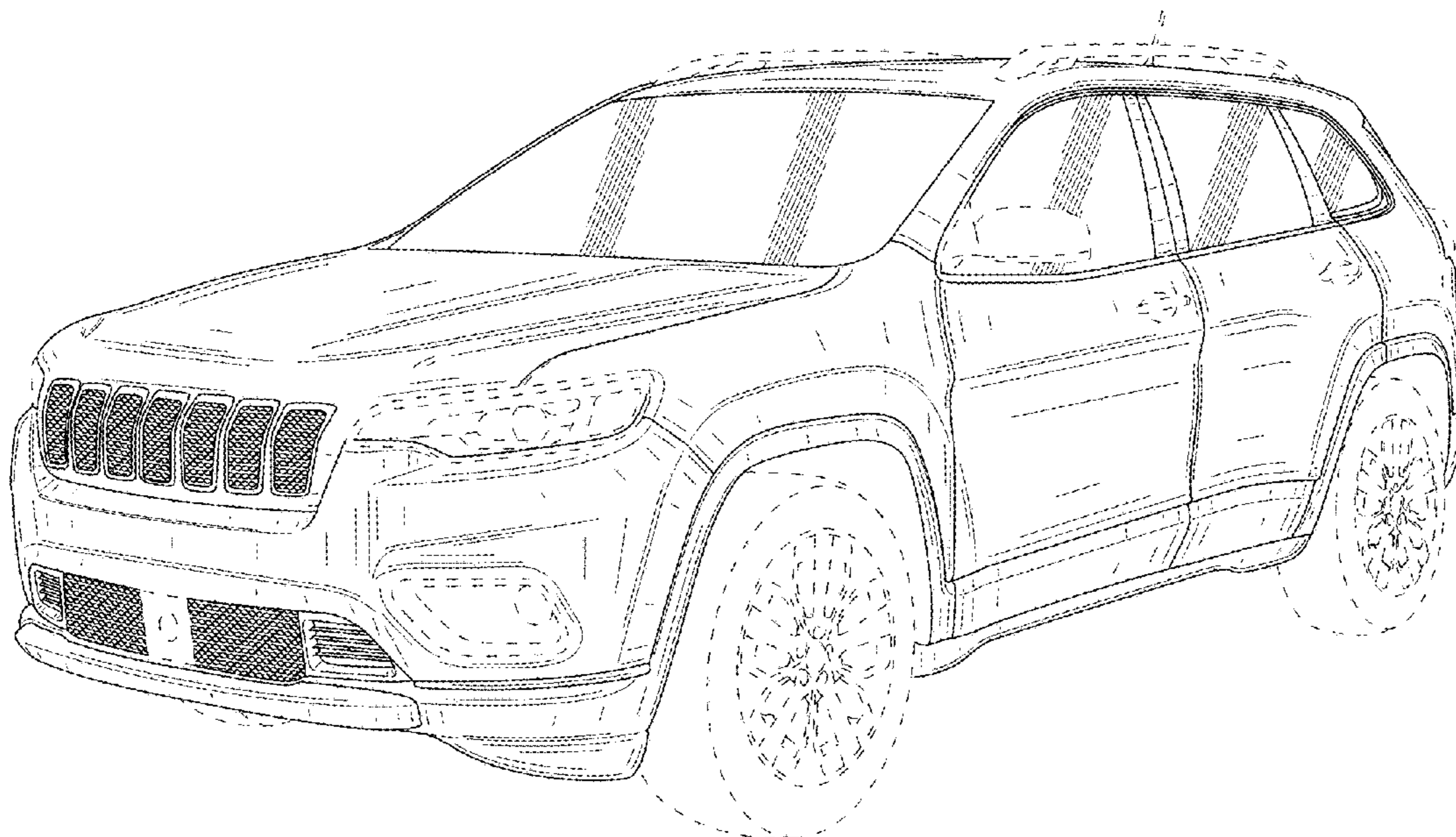
The ornamental design for an automobile body, as shown and described.

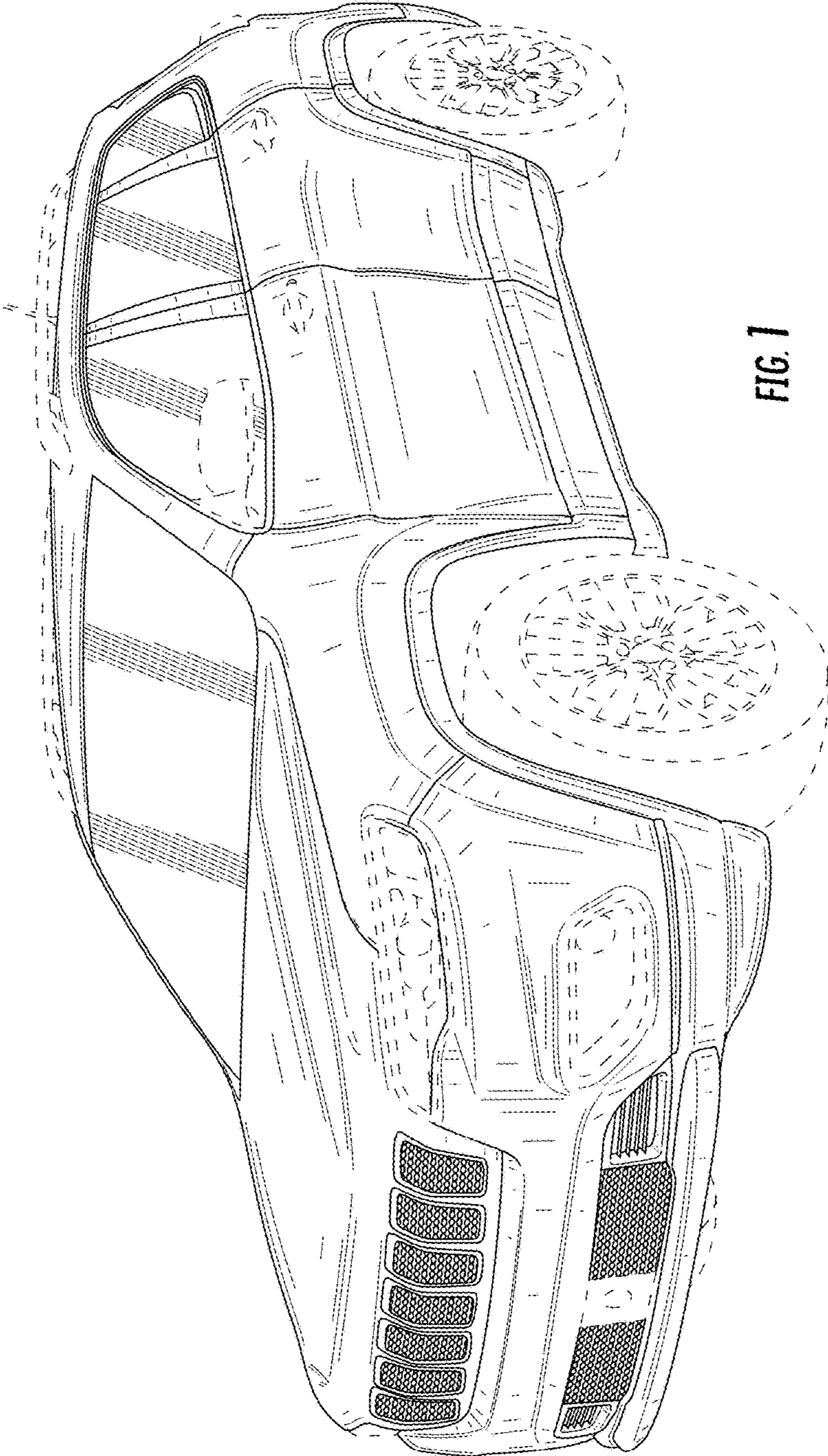
DESCRIPTION

FIG. 1 is a front perspective view of an automobile body showing our new design;
FIG. 2 is a rear perspective view thereof;
FIG. 3 is a side view thereof;
FIG. 4 is a top plan view thereof;
FIG. 5 is a front view thereof; and,
FIG. 6 is a rear view thereof.

It will be understood that the broken lines shown in the drawings illustrate portions of the automobile body that form no part of claimed design.

1 Claim, 5 Drawing Sheets





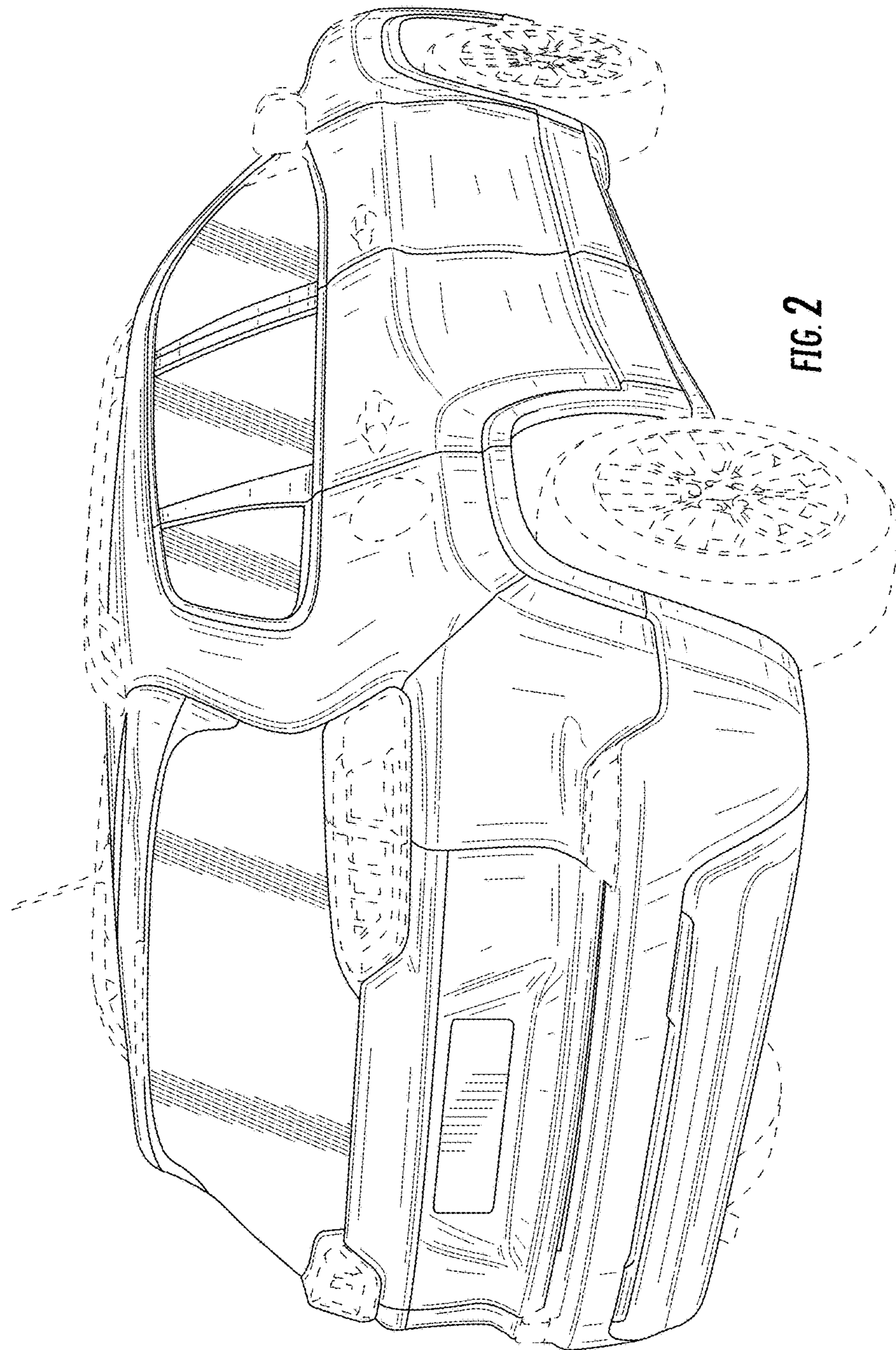


FIG. 2

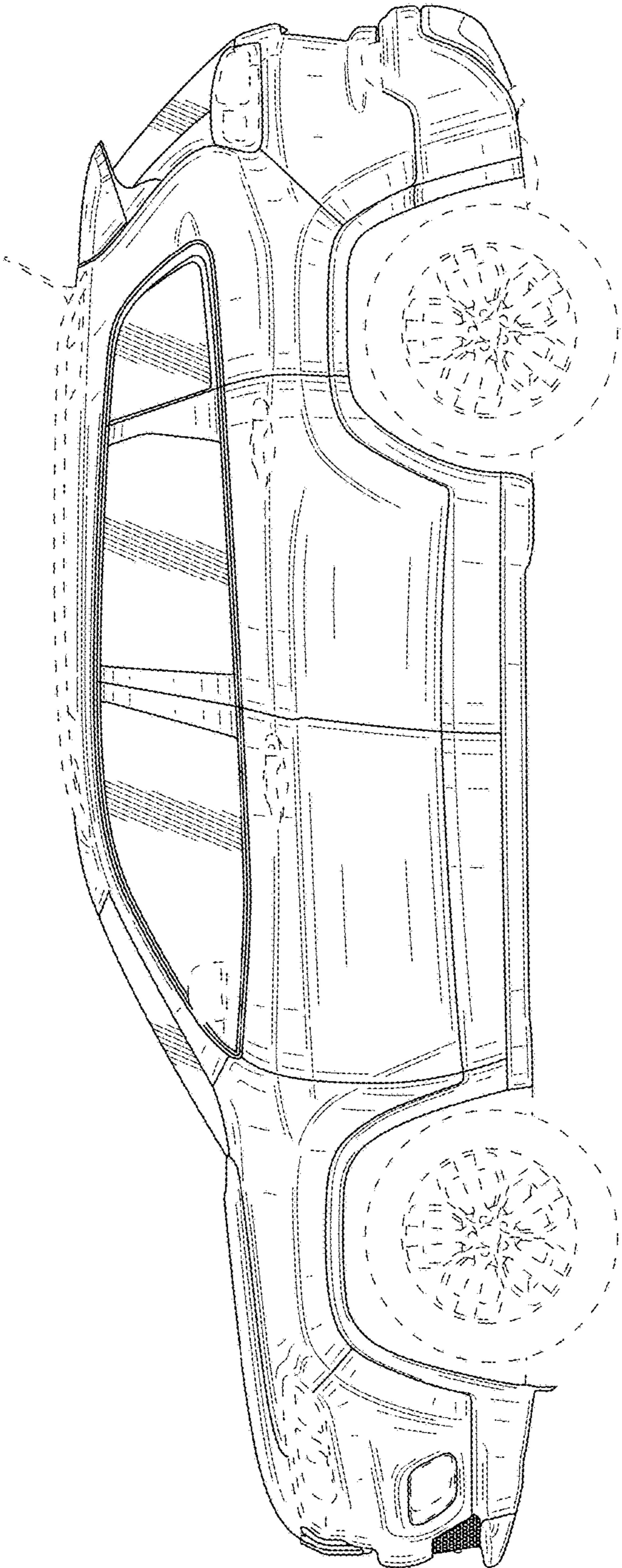


FIG. 3

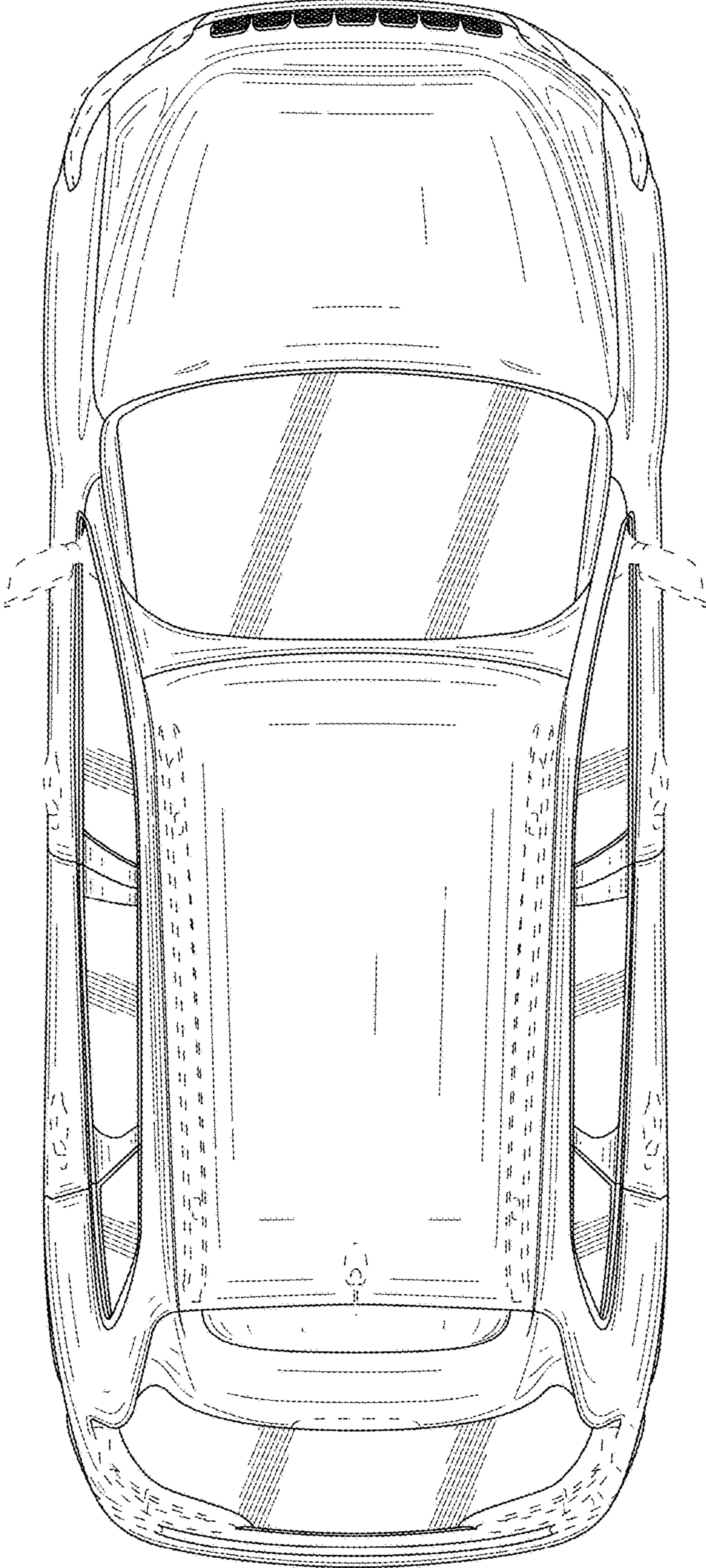


FIG. 4

