



US00D847016S

(12) **United States Design Patent** (10) **Patent No.:** **US D847,016 S**
Stringham (45) **Date of Patent:** **** Apr. 30, 2019**

(54) **INSTRUMENT STRAP HOLDER**

(71) Applicant: **D'Addario & Company, Inc.**,
Farmingdale, NY (US)
(72) Inventor: **Zachary Stringham**, New York, NY
(US)
(73) Assignee: **D'Addario & Company, Inc.**,
Farmingdale, NY (US)

(**) Term: **15 Years**

(21) Appl. No.: **29/611,328**

(22) Filed: **Jul. 20, 2017**

(51) **LOC (11) Cl.** **02-07**

(52) **U.S. Cl.**
USPC **D11/218**

(58) **Field of Classification Search**
USPC D17/14, 15, 17, 18, 19, 20, 99, 21, 10,
D17/13, 3, 4; D21/405, 406, 483;
D2/624-627, 639, 640; D3/327, 218;
D16/242, 243; D29/101.1-101.5;
D11/218, 216

CPC ... G10D 7/00; G10D 7/08; G10D 7/06; A44B
11/00; A44B 11/02; A44B 11/06; A44B
11/18

See application file for complete search history.

(56) **References Cited**

U.S. PATENT DOCUMENTS

| | | | |
|--------------|---------|-----------------|---------|
| D287,067 S * | 12/1986 | Kasai | D11/218 |
| D290,349 S * | 6/1987 | Kasai | D11/218 |
| D365,044 S * | 12/1995 | Anscher | D11/218 |
| D471,132 S * | 3/2003 | Murata | D11/218 |
| D493,386 S * | 7/2004 | Pontaoe | D11/218 |
| D538,198 S * | 3/2007 | Wemmer | D11/218 |
| D586,259 S * | 2/2009 | Kelleghan | D11/218 |
| D586,692 S * | 2/2009 | Nykoluk | D11/218 |
| D622,178 S * | 8/2010 | Kelleghan | D11/201 |
| D649,087 S * | 11/2011 | Harada | D11/218 |
| D653,169 S * | 1/2012 | Lo | D11/218 |

OTHER PUBLICATIONS

Amazon, Planet Waves Polypropylene Guitar Strap, posted Mar. 29, 2005, [online], [site visited Aug. 10, 2018]. Available from Internet, <URL: <https://www.amazon.com/Planet-Waves-Polypropylene-Guitar-Strap/dp/B0002IHFVM>> (Year: 2005).*
Amazon, Planet Waves Nylon Classical Guitar Strap, posted Feb. 8, 2010, [online], [site visited Aug. 10, 2018]. Available from Internet, <URL: https://www.amazon.com/dp/B0037MC7FY/ref=psdc_491008011_t3_B074F2N6YG> (Year: 2010).*
Dave Wirth, Tyvek Backpack, posted Dec. 20, 2012, [online], [site visited Aug. 10, 2018]. Available from Internet, <URL: <http://davewirth.blogspot.com/2012/12/tyvek-backpack.html>> (Year: 2012).*

* cited by examiner

Primary Examiner — Michelle E. Wilson

Assistant Examiner — Samantha N Wood

(74) *Attorney, Agent, or Firm* — Alix, Yale & Ristas, LLP

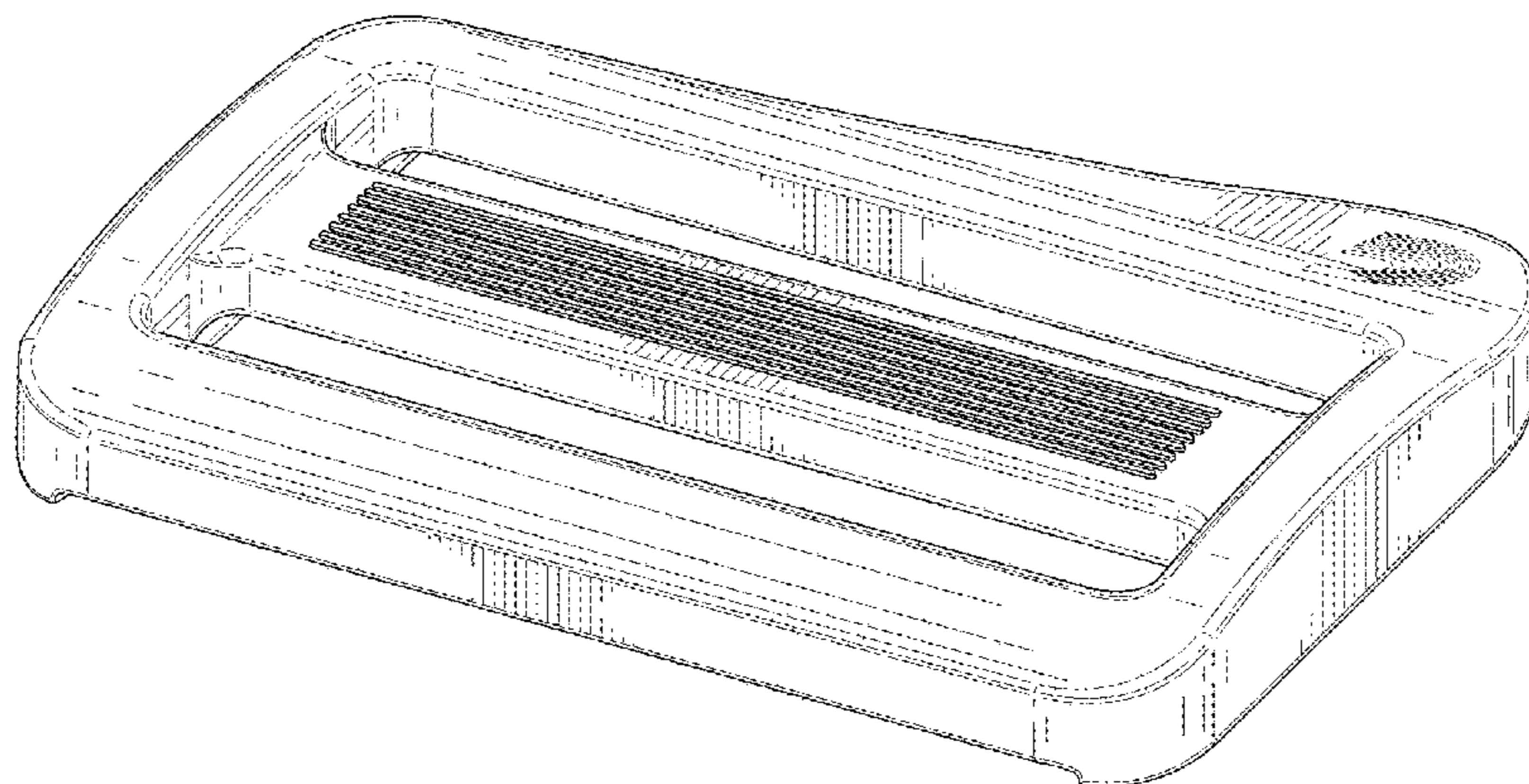
(57) **CLAIM**

The ornamental design for the instrument strap holder, as shown and described.

DESCRIPTION

FIG. 1 is a front perspective view of the instrument strap holder;
FIG. 2 is a top elevation view thereof;
FIG. 3 is a bottom elevation view thereof;
FIG. 4 is a side elevation view thereof;
FIG. 5 is a side elevation view thereof from the opposite side of FIG. 4;
FIG. 6 is a rear elevation view thereof; and,
FIG. 7 is a front elevation view thereof.
The broken lines are included for the purpose of illustrating portions of the instrument strap holder and form no part of the claimed design.

1 Claim, 5 Drawing Sheets



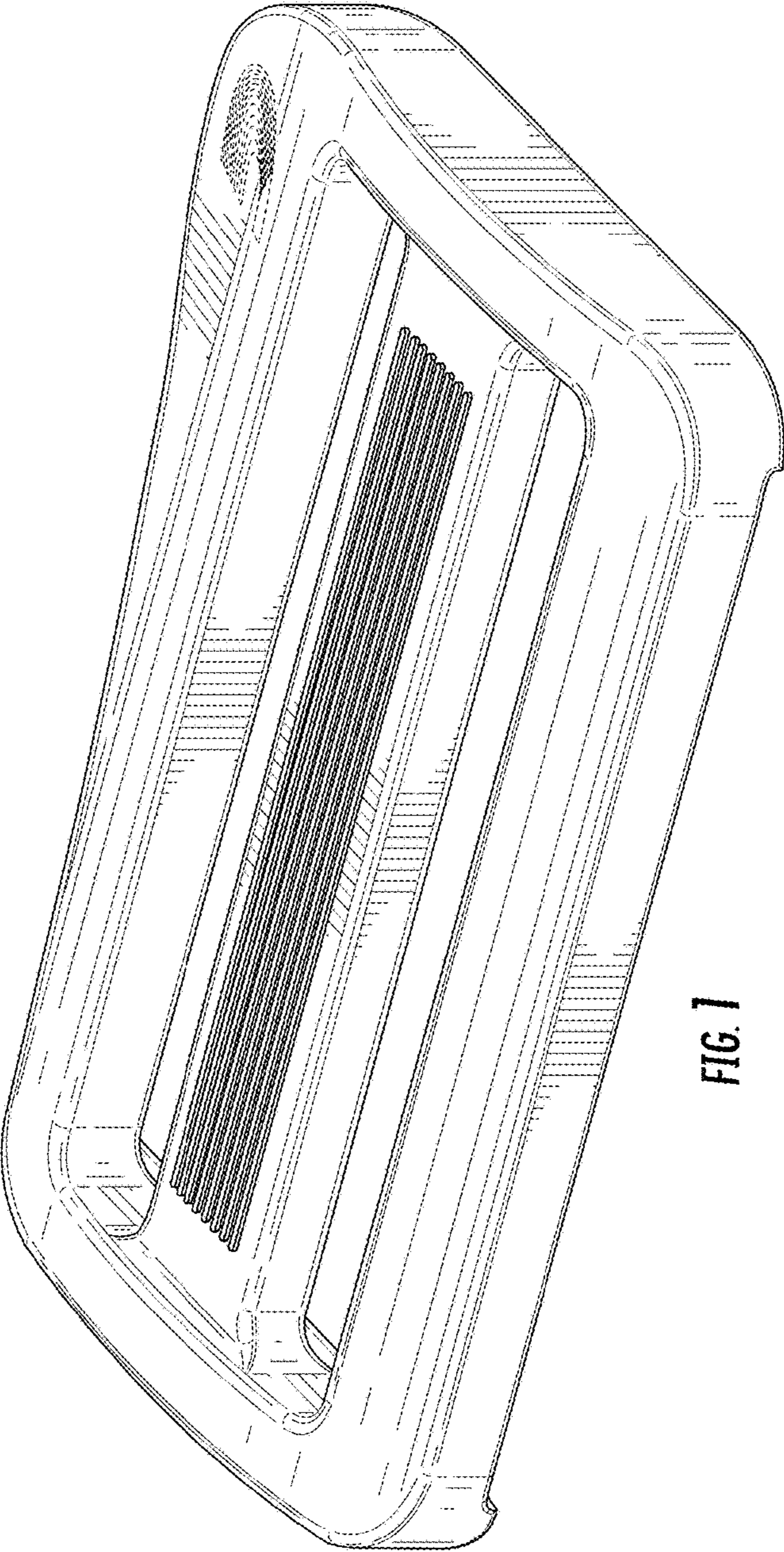


FIG. 1

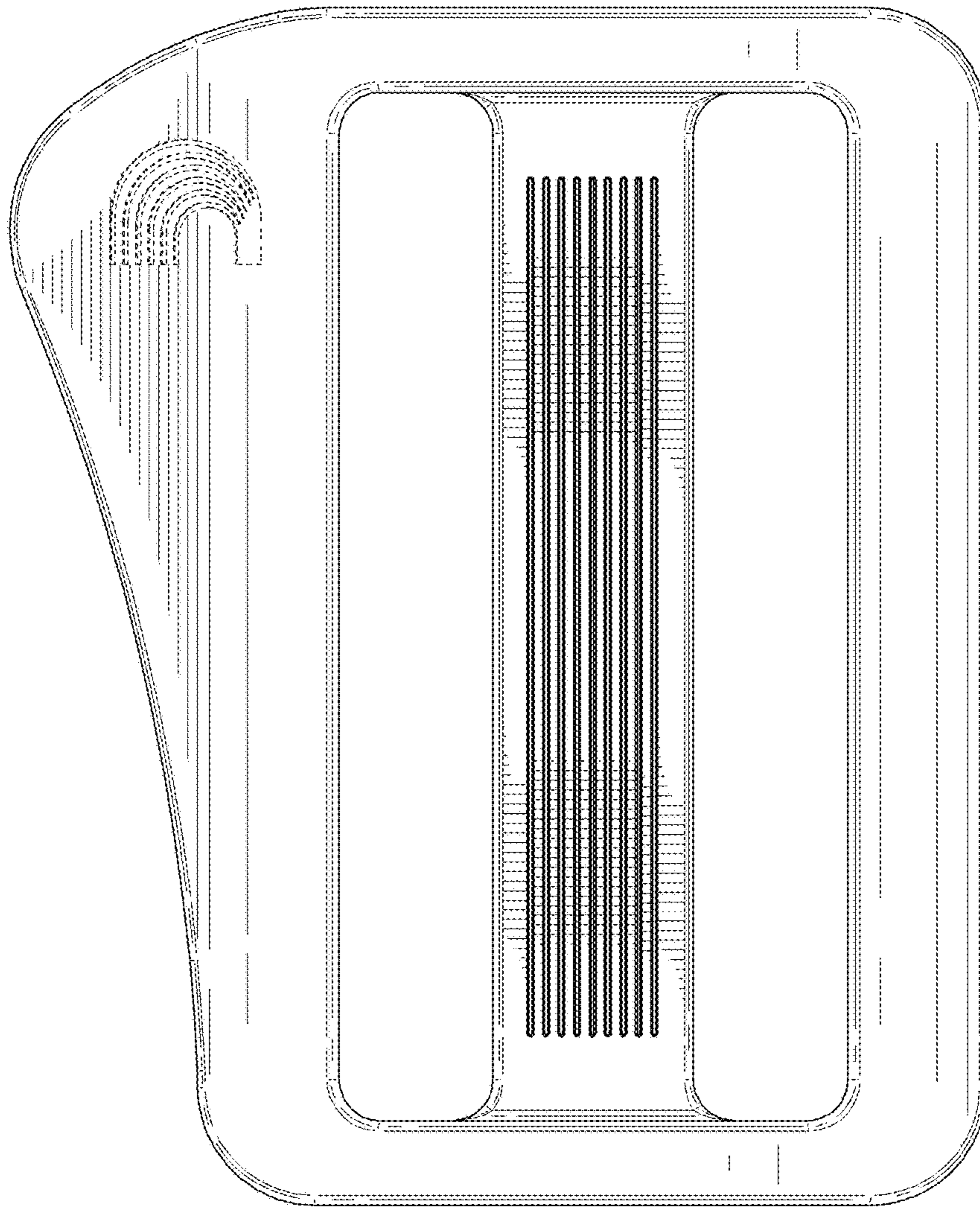


FIG. 2

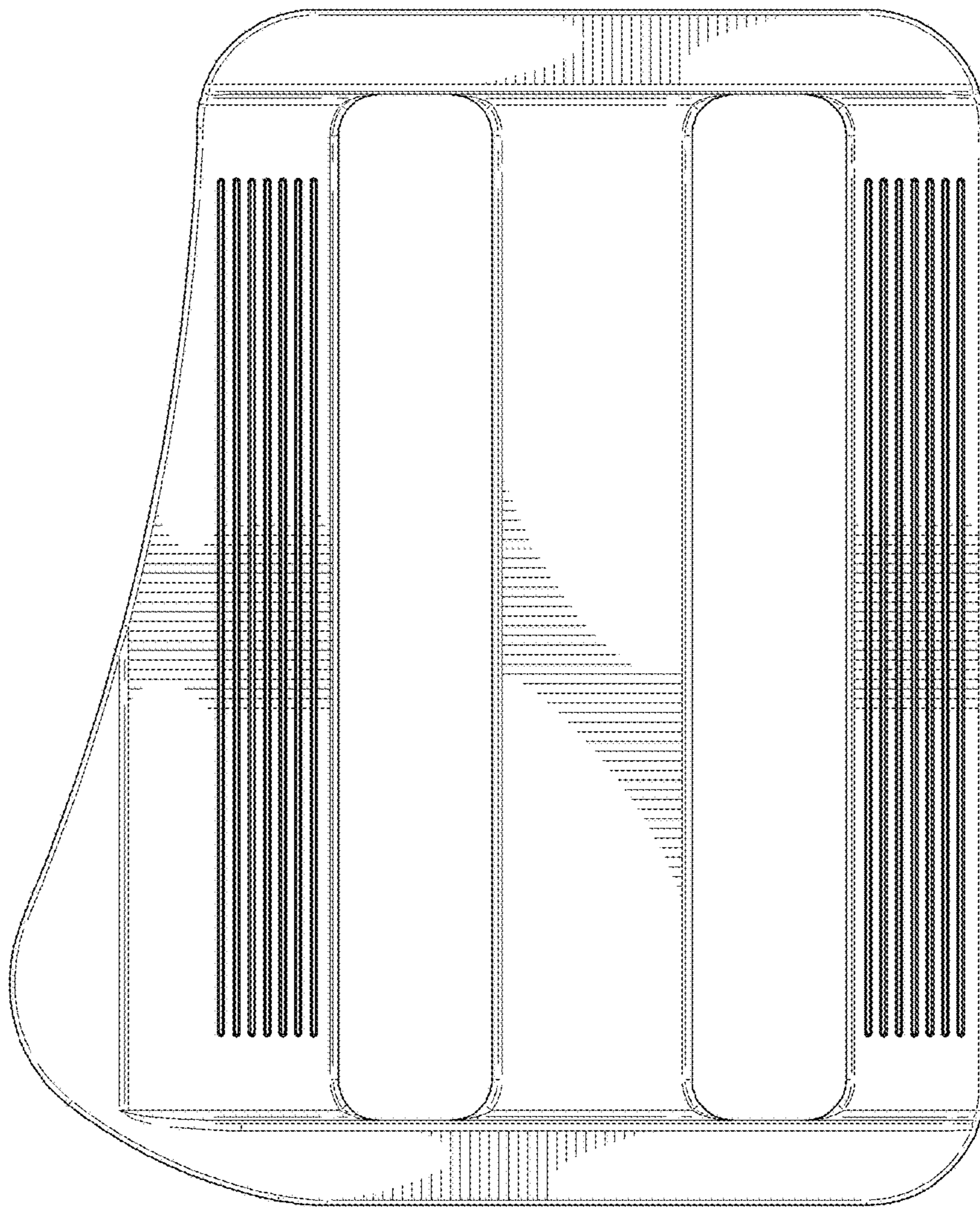


FIG. 3

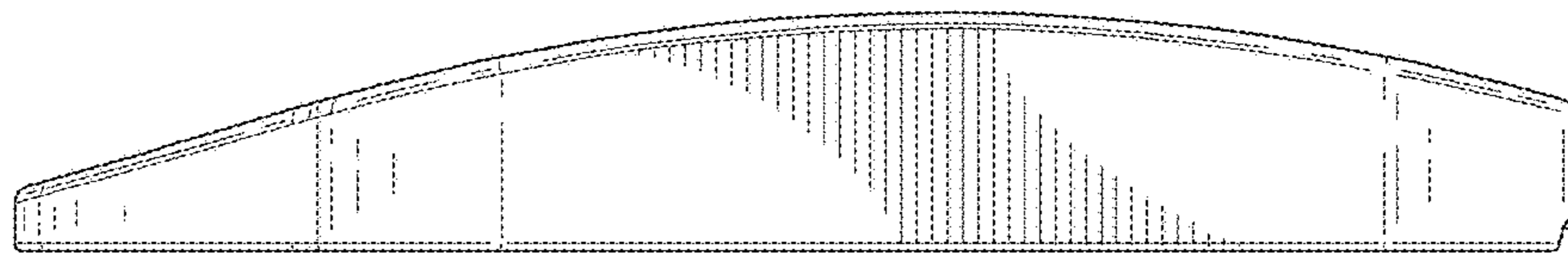


FIG. 5

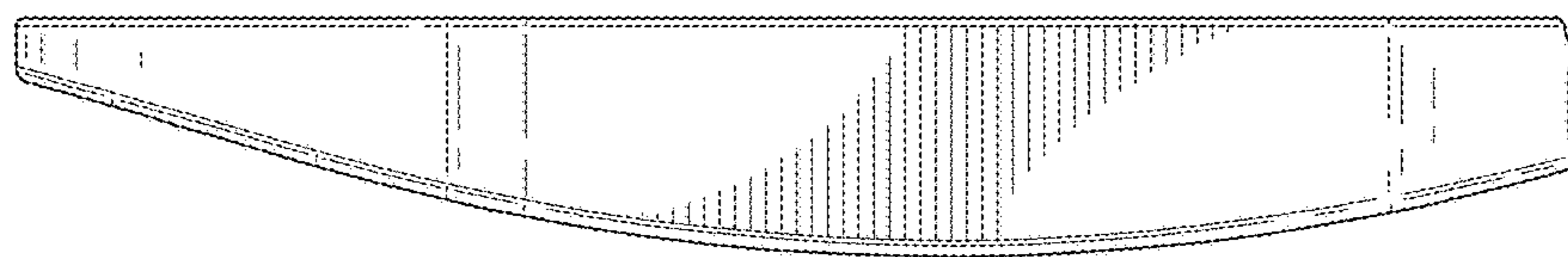


FIG. 4

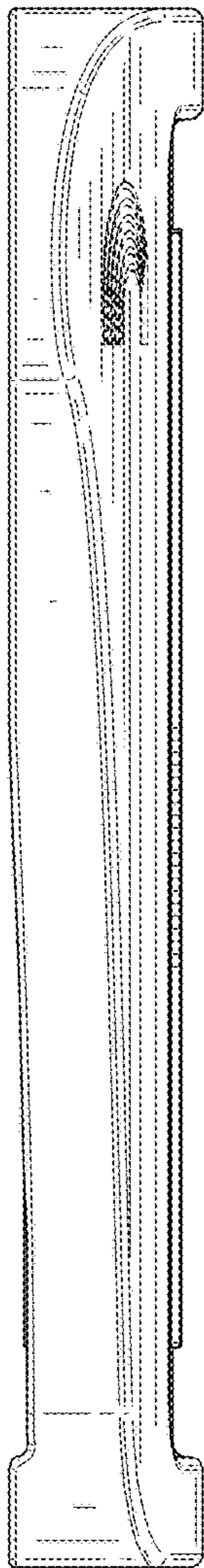


FIG. 6

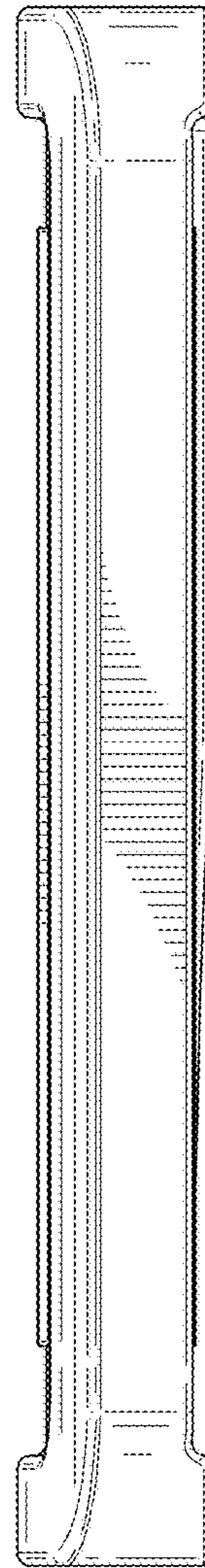


FIG. 7