



US00D847012S

(12) **United States Design Patent** (10) **Patent No.:** **US D847,012 S**  
**Akana et al.** (45) **Date of Patent:** **\*\* \*Apr. 30, 2019**

(54) **BAND**

(71) Applicant: **Apple Inc.**, Cupertino, CA (US)

(72) Inventors: **Jody Akana**, San Francisco, CA (US); **Bartley K. Andre**, Palo Alto, CA (US); **Shota Aoyagi**, San Francisco, CA (US); **Anthony Michael Ashcroft**, San Francisco, CA (US); **Jeremy Bataillou**, San Francisco, CA (US); **Daniel J. Coster**, San Francisco, CA (US); **Daniele De Iuliis**, San Francisco, CA (US); **M. Evans Hankey**, San Francisco, CA (US); **Julian Hoenig**, San Francisco, CA (US); **Richard P. Howarth**, San Francisco, CA (US); **Jonathan P. Ive**, San Francisco, CA (US); **Duncan Robert Kerr**, San Francisco, CA (US); **Marc A. Newson**, London (GB); **Matthew Dean Rohrbach**, San Francisco, CA (US); **Peter Russell-Clarke**, San Francisco, CA (US); **Benjamin Andrew Shaffer**, San Jose, CA (US); **Mikael Silvanto**, San Francisco, CA (US); **Christopher J. Stringer**, Woodside, CA (US); **Eugene Antony Whang**, San Francisco, CA (US); **Rico Zörkendörfer**, San Francisco, CA (US)

(73) Assignee: **Apple Inc.**, Cupertino, CA (US)

(\*) Notice: This patent is subject to a terminal disclaimer.

(\*\*) Term: **15 Years**

(21) Appl. No.: **29/645,935**

(22) Filed: **Apr. 30, 2018**

**Related U.S. Application Data**

(63) Continuation of application No. 29/594,336, filed on Feb. 17, 2017, now Pat. No. Des. 816,524, which is

a continuation of application No. 29/548,413, filed on Dec. 14, 2015, now Pat. No. Des. 779,992, which is a continuation of application No. 29/501,746, filed on Sep. 8, 2014, now Pat. No. Des. 745,421.

(51) **LOC (11) Cl.** ..... **11-01**

(52) **U.S. Cl.**  
USPC ..... **D11/3**

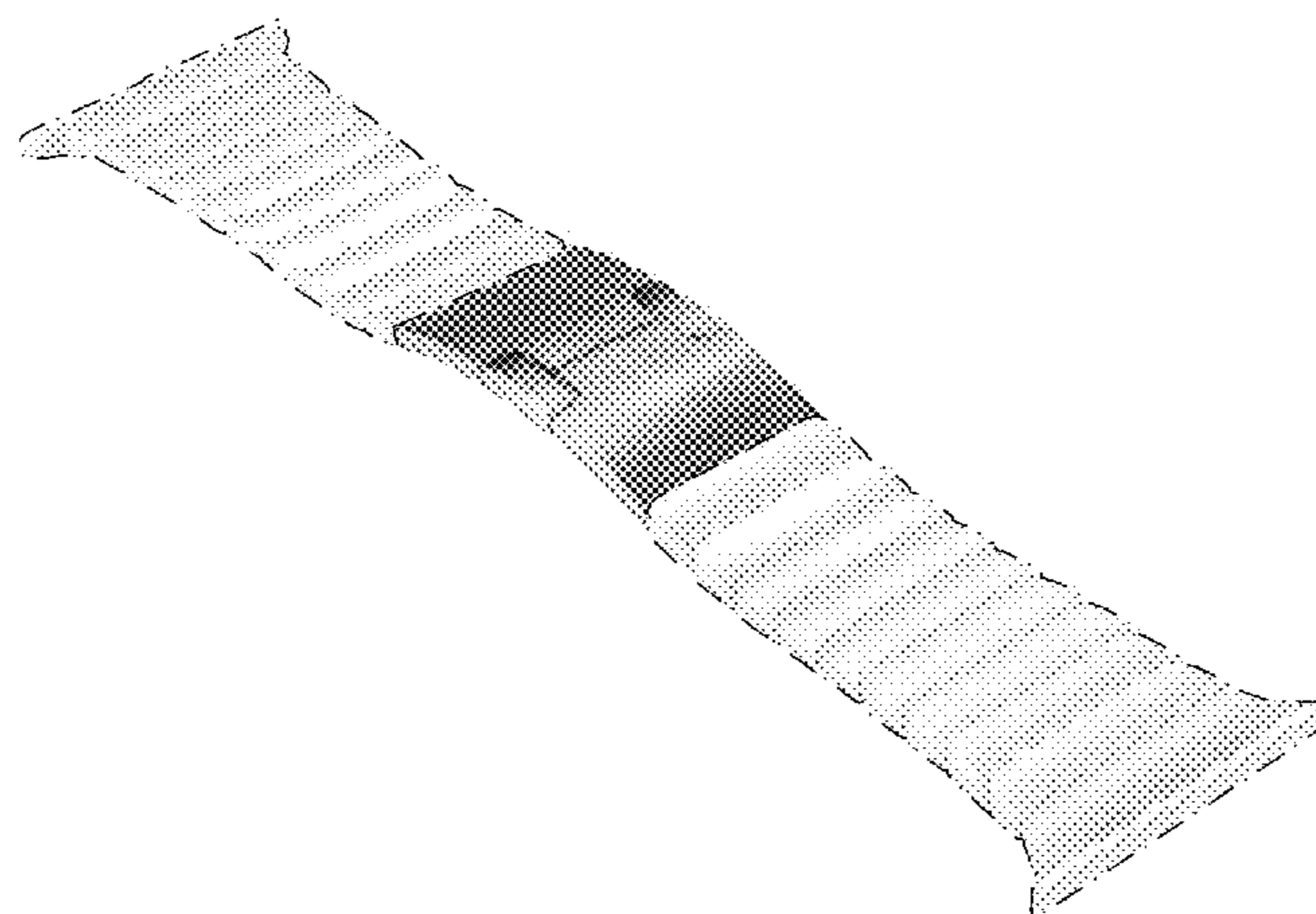
(58) **Field of Classification Search**  
USPC ..... D10/30-39, 46, 70; D11/1-25, 86, 93, D11/94; 24/456, 574.11, 587.11, 587.12, 24/578.15; 600/301; 224/164, 175; 368/276, 281, 282, 285  
CPC .. A44C 5/107; A44C 5/24; A44C 5/14; A44C 5/0053; A44C 5/0069; A44C 5/0076; A44C 5/00; A44C 5/0007; A44C 5/0015; A44C 5/0023; A44C 5/003; A44C 5/0061; A44C 5/12; A44C 5/147; A44C 5/18; A44C 5/185; A45F 5/00; A45F 2005/008; G04B 7/1486; G04B 37/16; G04B 37/18

See application file for complete search history.

(56) **References Cited**

U.S. PATENT DOCUMENTS

1,712,564 A	5/1929	Jones	
1,712,582 A	5/1929	Renz	
1,738,407 A	12/1929	Tost	
1,740,894 A	12/1929	Johnson	
1,760,662 A	5/1930	Prestinari	
1,764,440 A *	6/1930	Gammell	A44C 5/22 24/68 J
1,784,582 A	12/1930	Doppenschmitt	
1,786,943 A	12/1930	Gammell	
2,500,649 A	3/1950	Szeglin	
3,030,686 A	4/1962	Burkhardt	
3,372,500 A	3/1968	Claude	
3,665,565 A	5/1972	Kruger	
3,675,284 A	7/1972	Rieth	
3,914,933 A	10/1975	Carlone	
3,994,126 A *	11/1976	Rieth	A44C 5/08 59/79.3
D249,244 S	9/1978	Salter	
4,125,920 A	11/1978	Grimes	
D250,634 S	12/1978	Porsche	
D251,829 S	5/1979	Sulek	
D256,568 S	8/1980	Young	



4,266,400	A	5/1981	Tabata	
D287,705	S	1/1987	Malamoud	
4,681,461	A	7/1987	Gogniat	
5,239,521	A	8/1993	Blonder	
D339,309	S	9/1993	Butler	
5,363,351	A	11/1994	Carney	
5,441,686	A	8/1995	Jackl et al.	
D365,994	S	1/1996	Brennan	
D408,301	S	4/1999	Porsche	
D409,503	S	5/1999	Giugiaro	
D424,952	S	5/2000	Porsche et al.	
6,101,842	A	8/2000	Delacretaz	
D433,638	S	11/2000	Kaneko et al.	
6,198,698	B1	3/2001	Graves	
D473,818	S	4/2003	Salvisberg	
D488,392	S	4/2004	Tschumi	
D494,098	S	8/2004	Cohen	
6,782,690	B2	8/2004	Kwan	
D506,685	S	6/2005	Yamamoto	
7,013,631	B2	3/2006	Carrola	
D581,811	S	12/2008	Messmer et al.	
D584,170	S	1/2009	Morrison	
D588,472	S	3/2009	Messmer et al.	
D600,142	S	9/2009	Takahashi	
D631,761	S	2/2011	Barbier	
D642,074	S	7/2011	Chastaingt	
D671,015	S	11/2012	Monachon	
D674,710	S	1/2013	Monachon	
8,601,784	B2	12/2013	Kaltenrieder	
D704,077	S	5/2014	Monachon	
D720,630	S	1/2015	Nashimoto	
D724,469	S	3/2015	Akana et al.	
D727,197	S	4/2015	Akana et al.	
D727,198	S	4/2015	Akana et al.	
D727,199	S *	4/2015	Akana .....	D11/3
D727,787	S	4/2015	Akana et al.	
D731,346	S	6/2015	Akana et al.	
D735,060	S	7/2015	Monachon	
D736,664	S	8/2015	Paradise et al.	
D737,156	S	8/2015	Akana et al.	
D737,157	S	8/2015	Akana et al.	
D737,158	S	8/2015	Akana et al.	
D739,780	S	9/2015	Akana et al.	
D746,718	S	1/2016	Akana et al.	
D749,450	S	2/2016	Akana et al.	
D755,074	S *	5/2016	Akana .....	D11/94
D779,990	S *	2/2017	Akana .....	D11/3
D779,992	S *	2/2017	Akana .....	D11/3
9,980,539	B2 *	5/2018	Webb .....	A44C 5/24
2005/0207284	A1	9/2005	Hiranuma et al.	
2005/0210857	A1	9/2005	Carrola	
2007/0180857	A1	8/2007	Giordano	
2012/0168471	A1	7/2012	Wilson	
2014/0096345	A1	4/2014	Tschumi	
2014/0098649	A1	4/2014	Tschumi	
2015/0085623	A1	3/2015	Modaragamage	

FOREIGN PATENT DOCUMENTS

CN	2613171	Y	4/2004
EP	1136010	B1	11/2003
EP	2636328	A1	9/2013
GB	618917	A	3/1949
GB	2047514	A	12/1980
GB	2033807		3/1994
GB	2082277		6/1999
GB	2086601		11/1999
GB	2095450		12/2000
JP	D1038962		5/1999
JP	D1038963		5/1999
JP	D1088241		10/2000
JP	D1092722		12/2000
JP	D1095359		1/2001
JP	D1115866		7/2001
JP	D1126997		11/2001
JP	D1130391		1/2002
JP	D1194393		1/2004
JP	D1231469		2/2005
JP	D1350052		2/2009

JP	D1350493		2/2009
JP	5479052	B2	4/2014
KR	30-0298089		5/2002
KR	30-0476859		1/2008
KR	30-0476860		1/2008
WO	WO-9117679	A1	11/1991
WO	WO-DM/033704-002		9/1995
WO	WO-DM/041969-001		1/1998
WO	WO-DM/047086-002		5/1999
WO	WO-DM/061681-002		10/2002
WO	WO-DM/063315-002		5/2003
WO	WO-DM/068937-006		6/2007
WO	WO-DM/070624-004		10/2008
WO	WO-DM071101		12/2008
WO	WO-DM/074430-001		11/2010
WO	WO-2013182397	A1	12/2013

OTHER PUBLICATIONS

Haedges, “1 Set Silver End Cap Clasp—Findings Large Toggle Clasp End Caps Buckle Connector with Five Inside Loops for Jewelry Making 26mm,” < <http://www.etsy.com/listing/101269004/1-set-silver-end-cap-clasp-findings?ref=market>>, Listed on Aug. 29, 2014, accessed Oct. 9, 2014.

Ipod Nano Watch Band Metal, < <http://trend-kid.com/ipod-nano-watch-band-orange.htm>>, accessed Dec. 5, 2014.

[Online] <http://i1-news.softpedia-static.com/images/news2/The-Chips-for-Apple-s-Smartwatch-Are-Entering-Production-464937-2.jpg> Retrieved on Feb. 17, 2015.

[Online] [http://store.storeimages.cdn-apple.com/4869/as-images.apple.com/is/image/AppleInc/aos/published/images/w/42/w42ss/slsi/w42ss-slsi-sel-201509\\_GEO\\_US?wid=332&hei=392&fmt=jpeg&qlt=95&op\\_sharpen=0&resMode=bicub&op\\_usm=0.5,0.5,0,0&iccEmbed=0&layer=comp&v=1441818072115](http://store.storeimages.cdn-apple.com/4869/as-images.apple.com/is/image/AppleInc/aos/published/images/w/42/w42ss/slsi/w42ss-slsi-sel-201509_GEO_US?wid=332&hei=392&fmt=jpeg&qlt=95&op_sharpen=0&resMode=bicub&op_usm=0.5,0.5,0,0&iccEmbed=0&layer=comp&v=1441818072115). Retrieved Dec. 9, 2015.

[Online] <http://fansided.com/files/2015/01/MetalBands-640x359.jpg>. Retrieved Mar. 30, 2016.

Suunto D6 Replacement Stainless Metal Watch Band Bracelet SS013525000 w/ Free Shipping and Handling, < <http://www.opticsplanet.com/suunto-d6-replacement-stainless-bracelet.html>>, accessed Dec. 5, 2014.

Thomas Ricker, “Nike’s Amp+ watch: hearts your heart and iPod, too,” Oct. 5, 2007, < <http://www.engadget.com/2007/10/05/nikes-amp-watch-hearts-your-heart-and-ipod-too/>>, accessed Dec. 17, 2014.

Twist-O-Flex Radial (16-21mm, Stainless Steel), < <http://www.thewatchprince.com/Speidel-Twist-O-Flex-Expansion-Radial-Stainless>>, accessed Dec. 5, 2014.

\* cited by examiner

Primary Examiner — Antoine Duval Davis  
(74) Attorney, Agent, or Firm — Sterne, Kessler, Goldstein & Fox P.L.L.C.

(57) CLAIM

The ornamental design for a band, as shown and described.

DESCRIPTION

The patent or application file contains at least one drawing executed in color. Copies of this patent or patent application publication with color drawing(s) will be provided by the Office upon request and payment of the necessary fee.

FIG. 1 is a front perspective view of a band showing the claimed design;

FIG. 2 is a rear perspective view thereof;

FIG. 3 is a front right side perspective view thereof;

FIG. 4 is a rear left side perspective view thereof;

FIG. 5 is a front view thereof;

FIG. 6 is a rear view thereof;

FIG. 7 is a front perspective view thereof in an alternate position;

FIG. 8 is a rear perspective view thereof;

FIG. 9 is a front right side perspective view thereof;

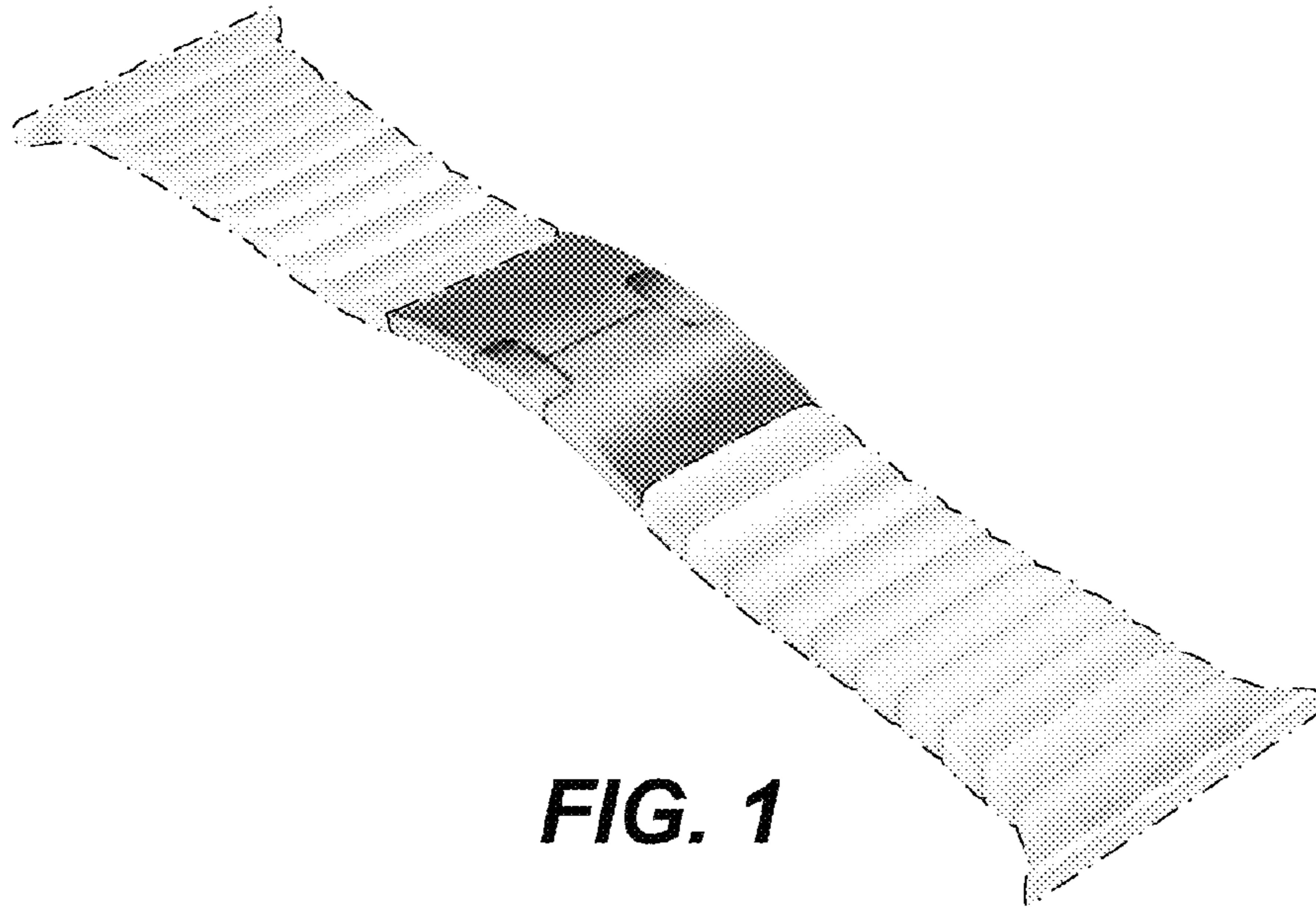
FIG. 10 is a rear left side perspective view thereof;

FIG. 11 is a front view thereof; and,

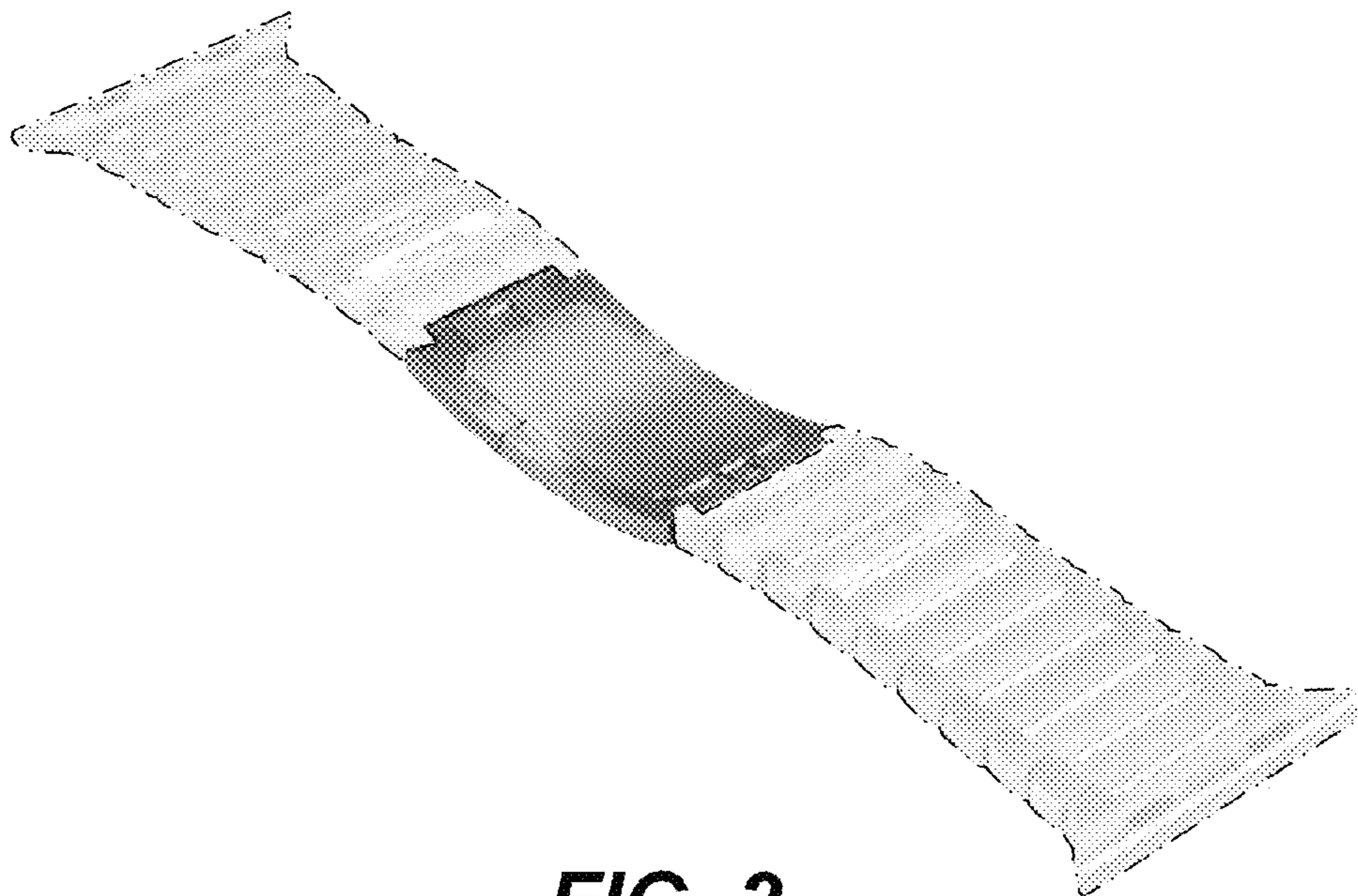
FIG. 12 is a rear view thereof.

The dot-dash broken lines in the figures and the areas within the dot-dash broken lines show portions of the band that form no part of the claimed design.

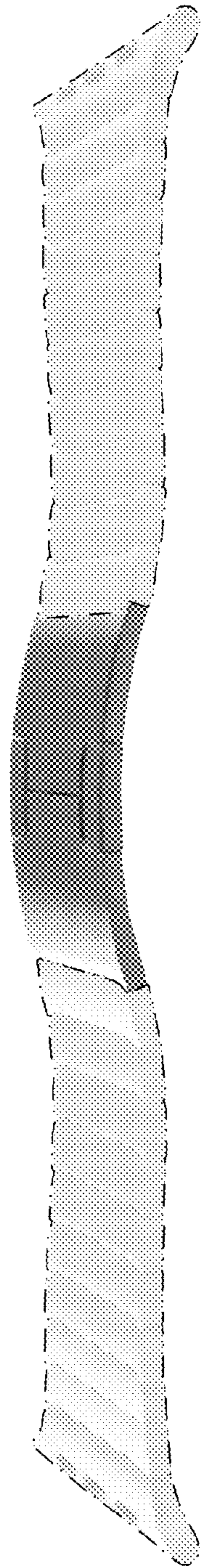
**1 Claim, 6 Drawing Sheets  
(6 of 6 Drawing Sheet(s) Filed in Color)**



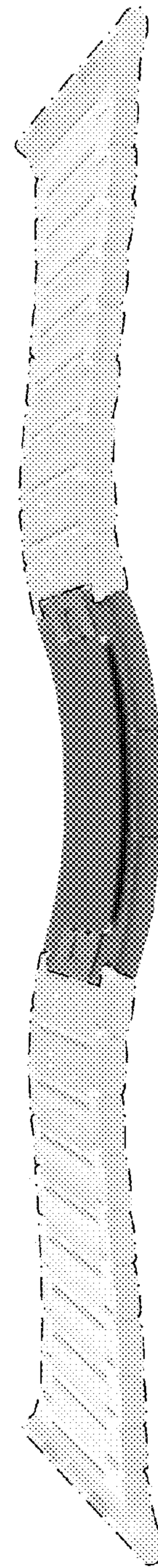
**FIG. 1**



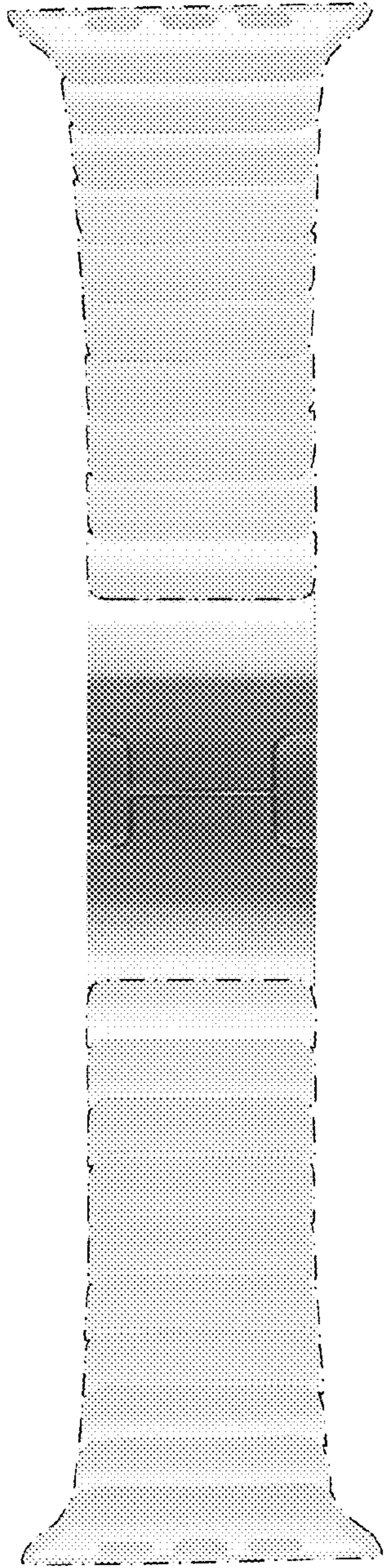
**FIG. 2**



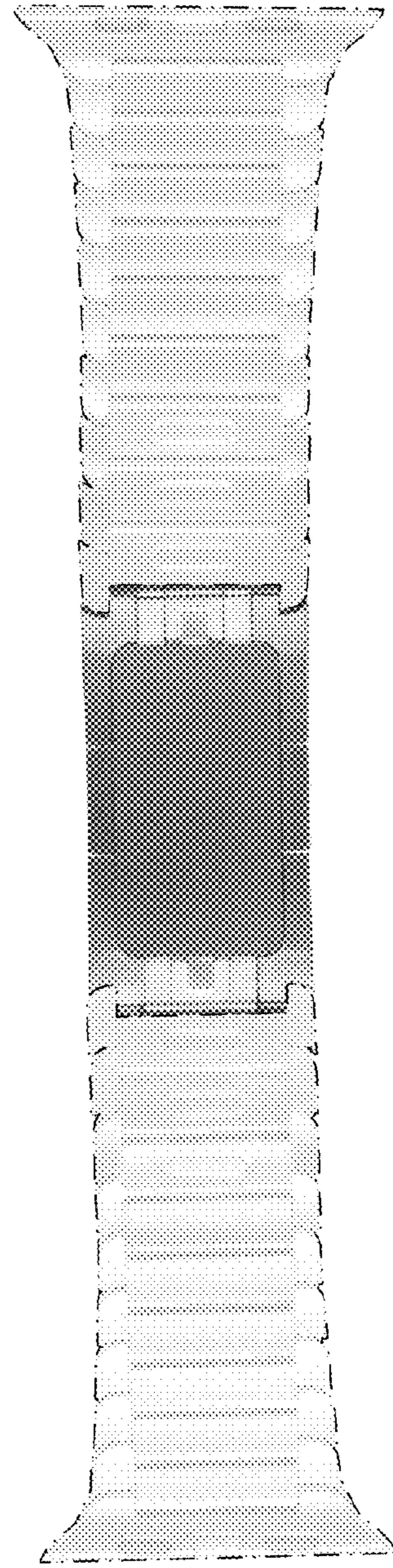
**FIG. 3**



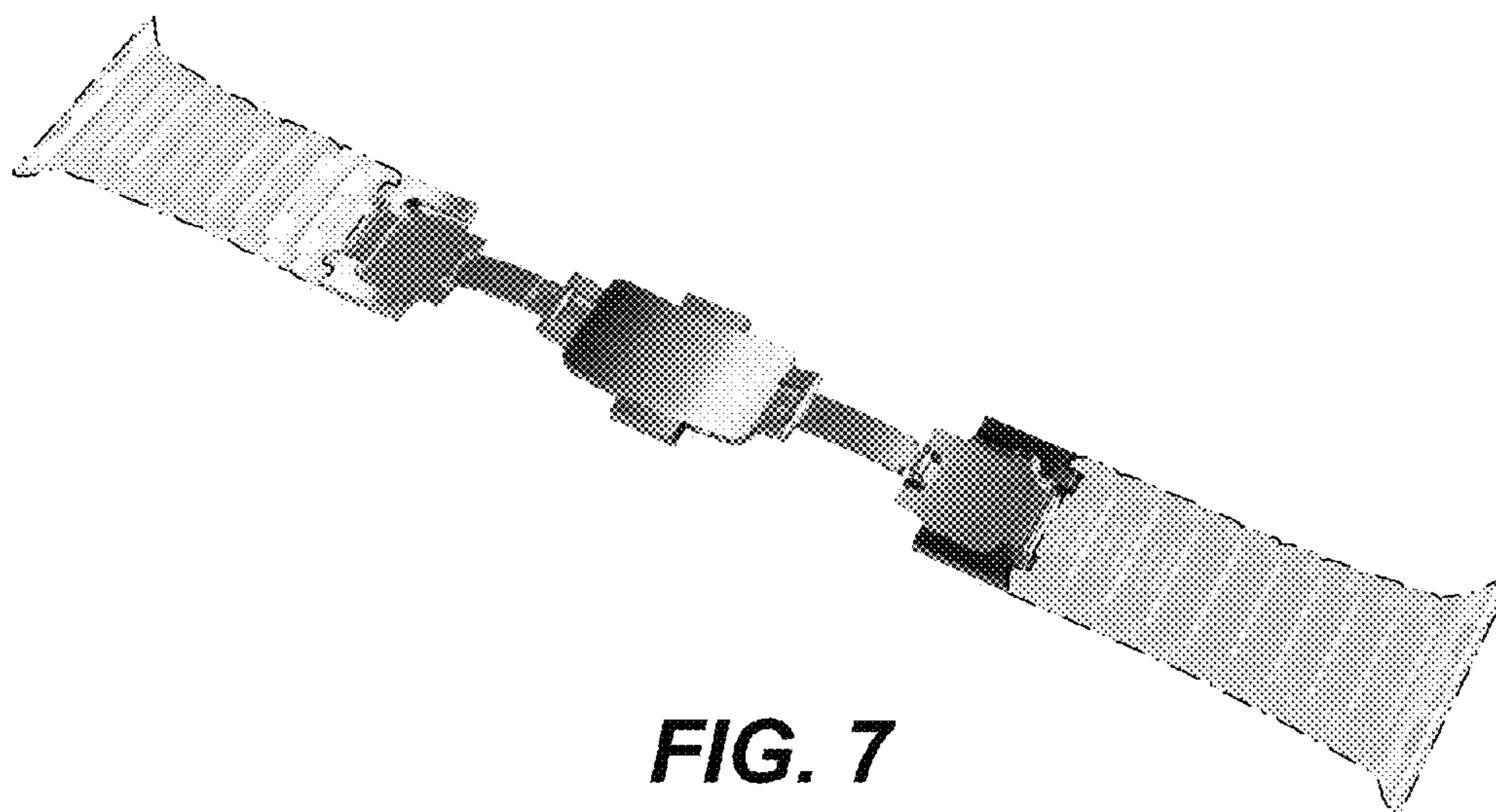
**FIG. 4**



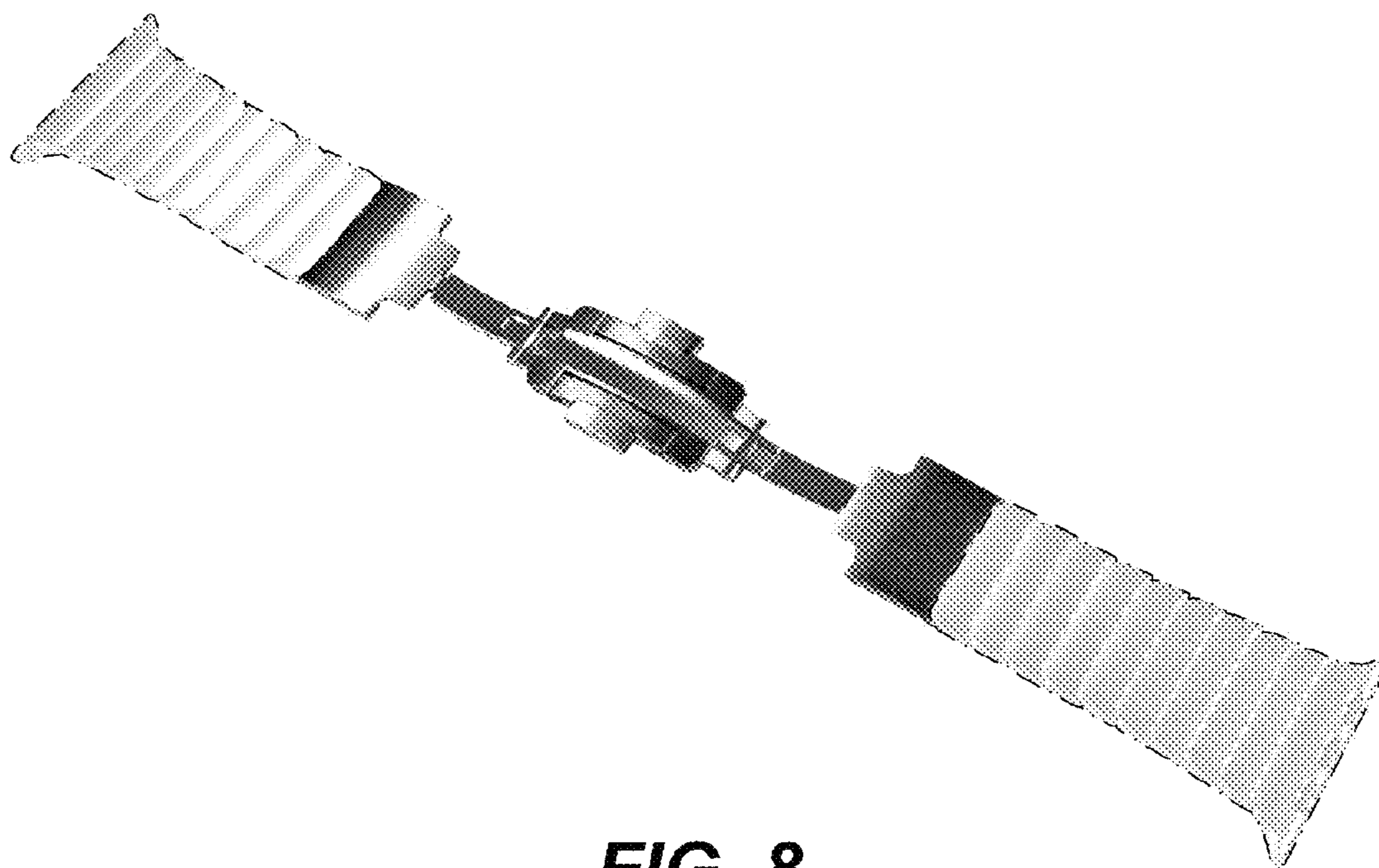
**FIG. 5**



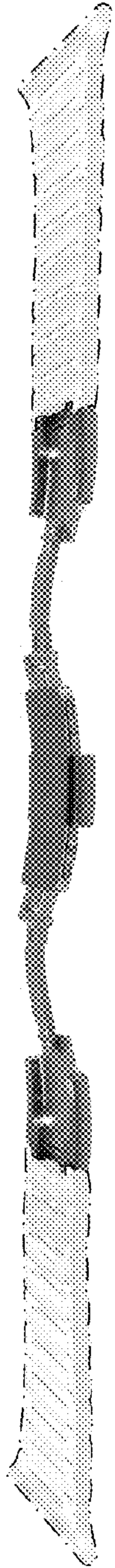
**FIG. 6**



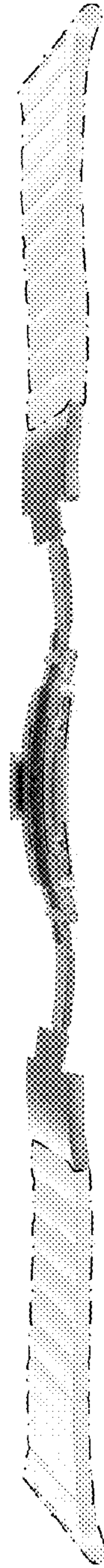
**FIG. 7**



**FIG. 8**

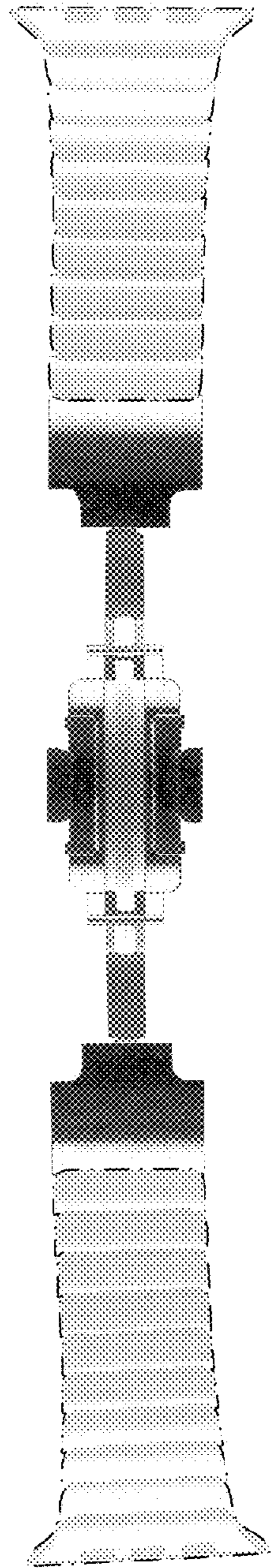


**FIG. 9**

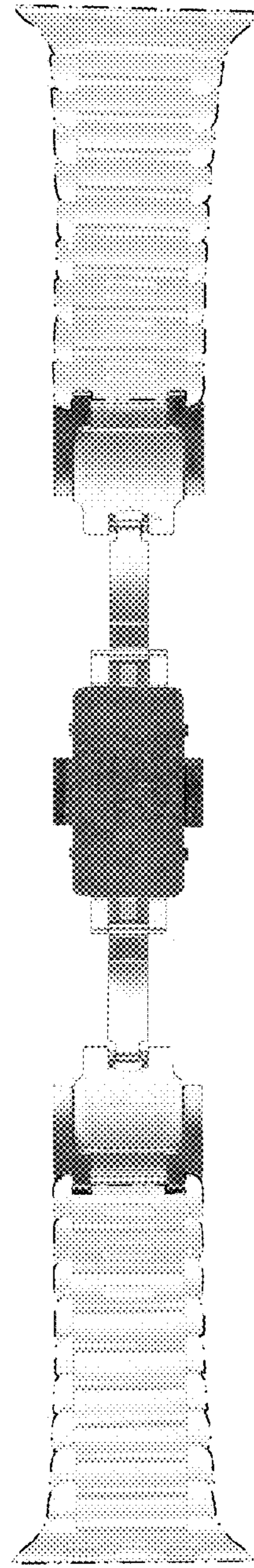


**FIG. 10**





**FIG. 11**



**FIG. 12**