



US00D847008S

(12) **United States Design Patent**
Wong

(10) **Patent No.:** **US D847,008 S**

(45) **Date of Patent:** **** Apr. 30, 2019**

(54) **SWIMMING PERFORMANCE MONITORING
AND ANALYZING APPARATUS**

A63B 2228/03; H04L 67/12; G09B
19/0038

See application file for complete search history.

(71) Applicant: **Platysens Limited**, Hong Kong (HK)

(56) **References Cited**

(72) Inventor: **Cheong Yui Wong**, Hong Kong (HK)

U.S. PATENT DOCUMENTS

(73) Assignee: **Platysens Limited**, Hong Kong (HK)

5,020,791 A * 6/1991 Phillips A63B 69/12
114/253

(**) Term: **15 Years**

2017/0043212 A1* 2/2017 Wong A61B 5/1114

(21) Appl. No.: **29/629,715**

* cited by examiner

(22) Filed: **Dec. 15, 2017**

Primary Examiner — Antoine Duval Davis

(51) **LOC (11) Cl.** **10-04**

(57) **CLAIM**

The ornamental design for a swimming performance monitoring and analyzing apparatus, as shown and described.

(52) **U.S. Cl.**

DESCRIPTION

USPC **D10/70**; D10/97

(58) **Field of Classification Search**

USPC D10/70, 97

CPC . A63B 24/0003; A63B 24/0075; A63B 69/12;

A63B 69/06; A63B 2069/068; A63B

2220/50; A63B 2220/30; A63B 2220/803;

FIG. 1 is a front elevational view of a swimming performance monitoring and analyzing apparatus showing my new design;

FIG. 2 is a left side view thereof;

FIG. 3 is a top plan view thereof;

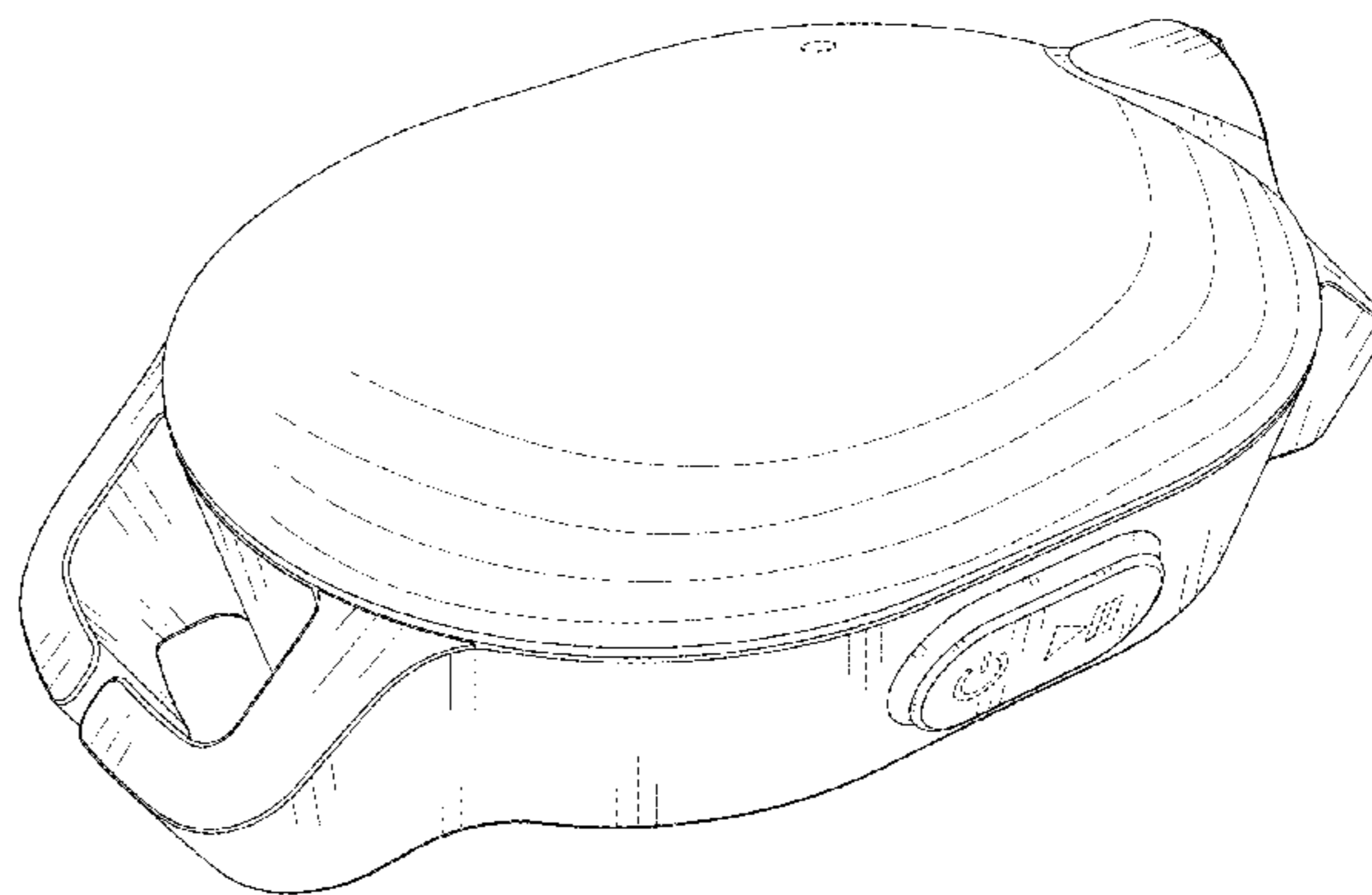
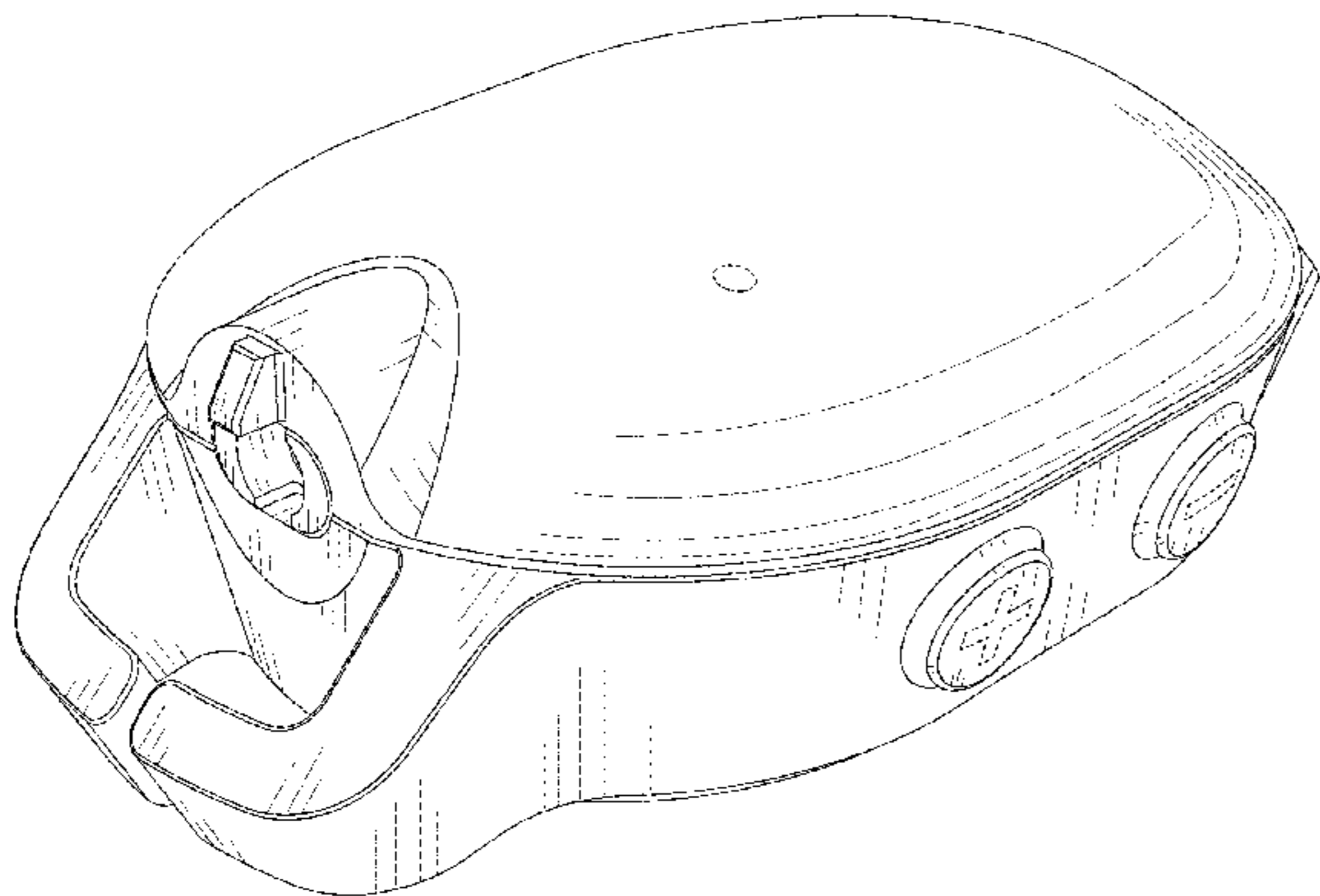
FIG. 4 is a first perspective view thereof;

FIG. 5 is a second perspective view thereof; and,

FIG. 6 is a third perspective view thereof.

The broken lines in the drawings illustrate portions of the swimming performance monitoring and analyzing apparatus which form no part of the claimed design.

1 Claim, 6 Drawing Sheets



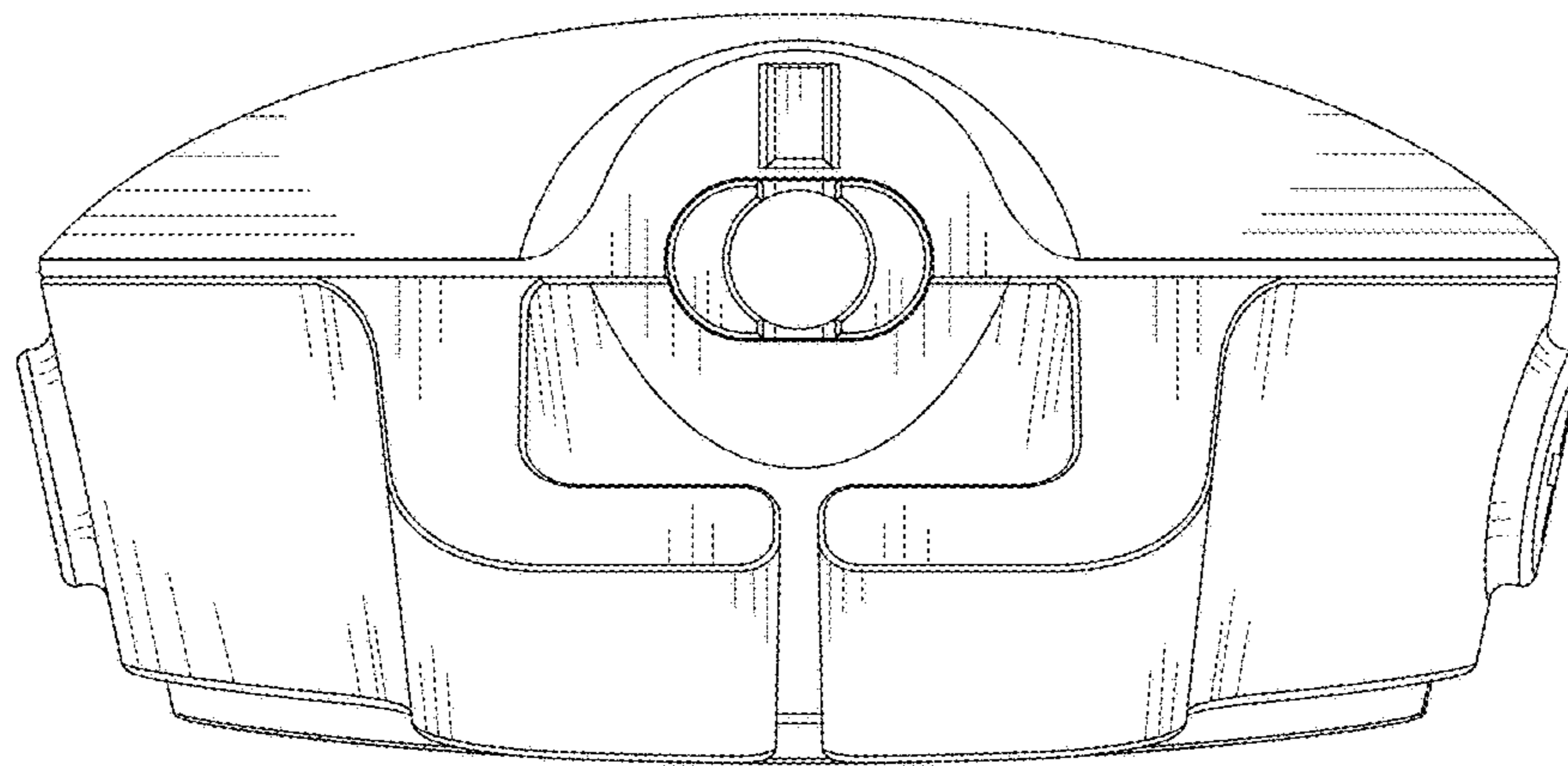


Fig. 1

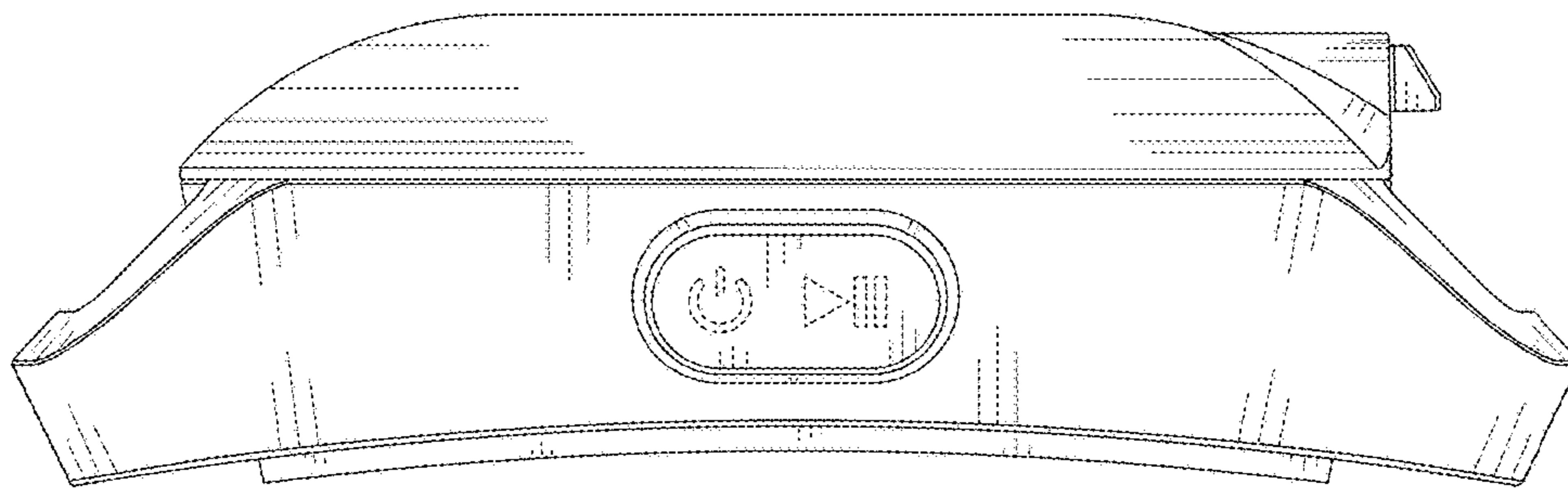


Fig. 2

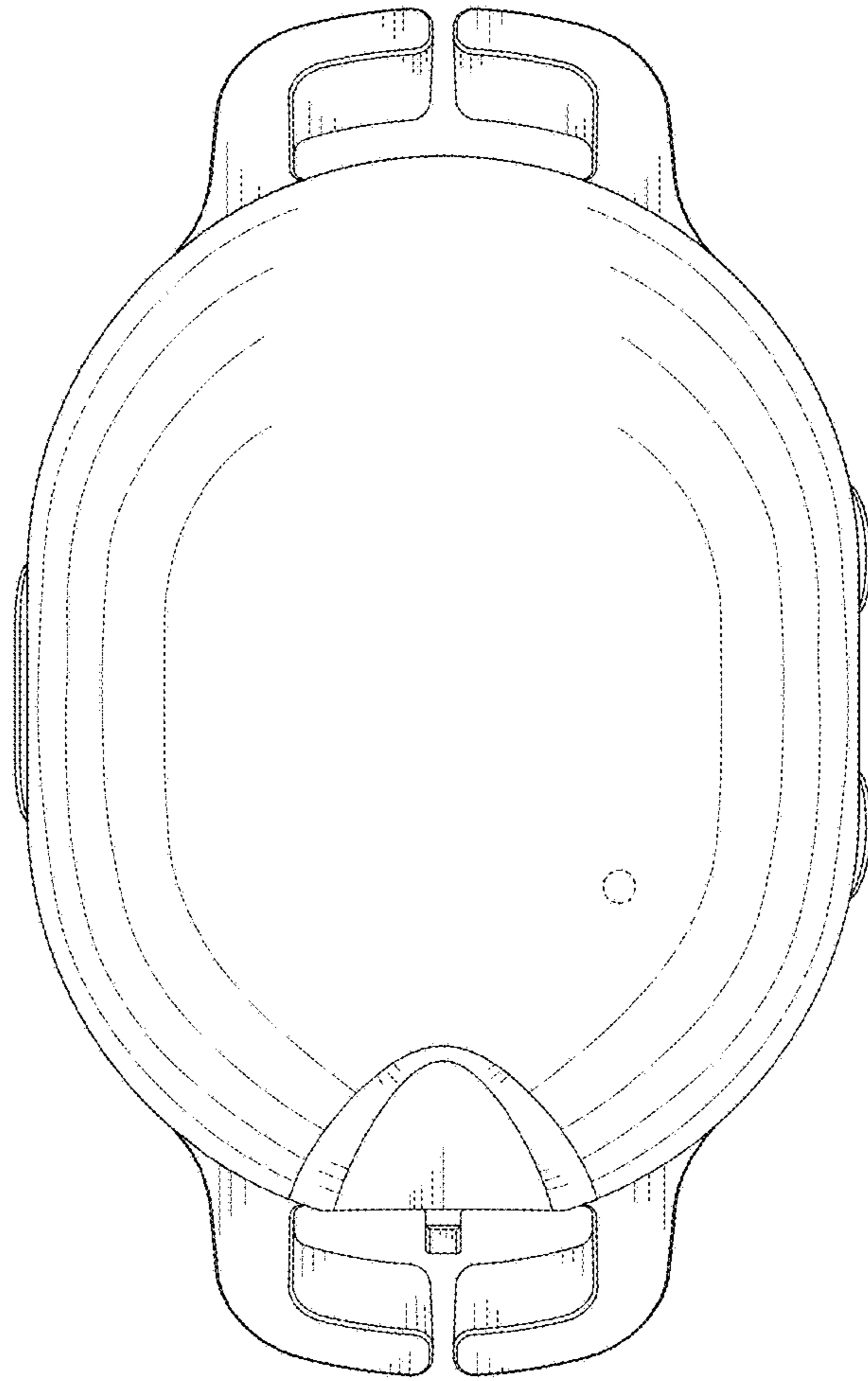


Fig. 3

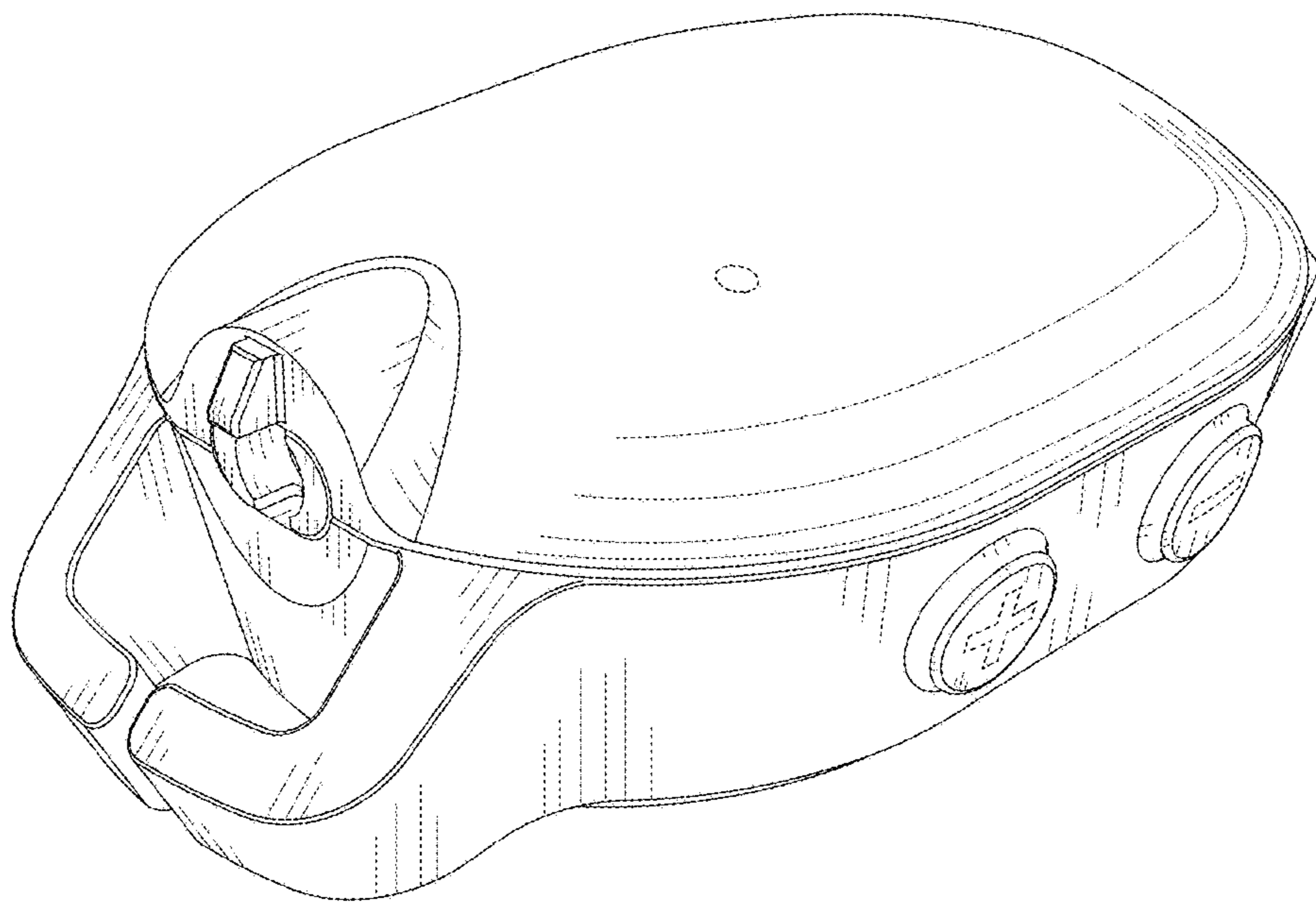


Fig. 4

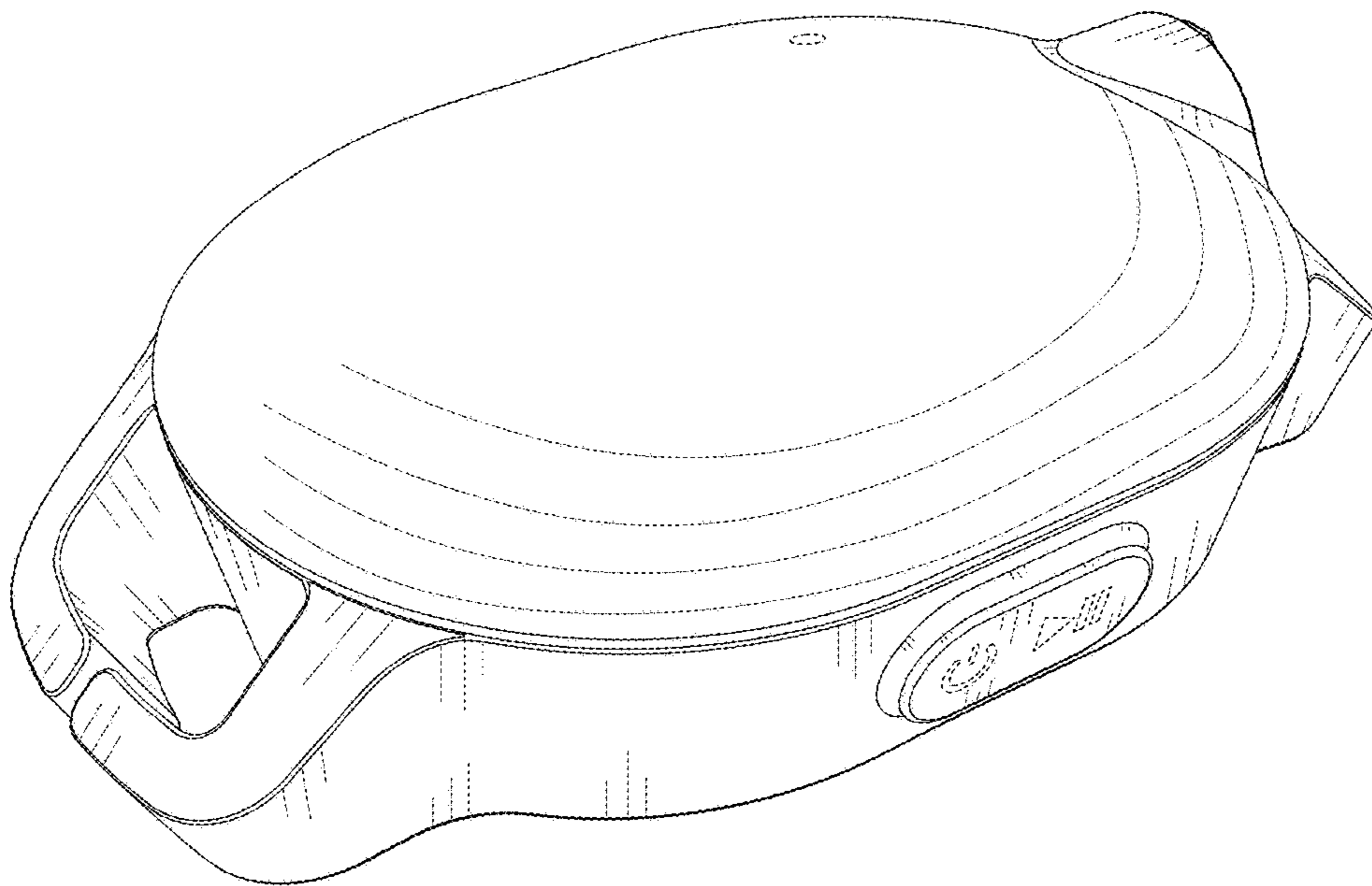


Fig. 5

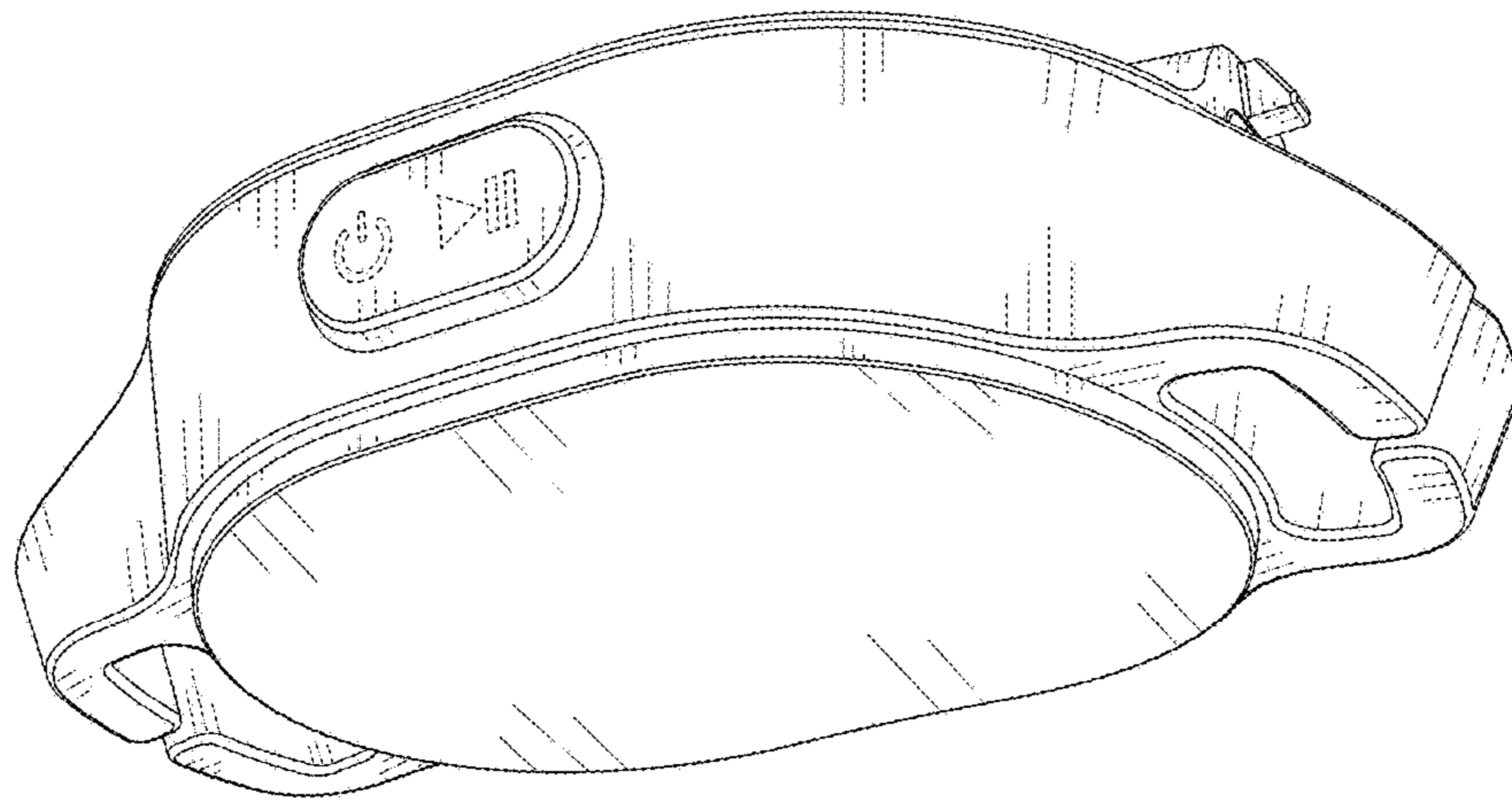


Fig. 6