

US00D847007S

(12) **United States Design Patent**
Endo

(10) **Patent No.:** **US D847,007 S**
(45) **Date of Patent:** **** Apr. 30, 2019**

(54) **NAVIGATION UNIT WITH AUDIO VIDEO RECEIVER FOR VEHICLE**

G01C 21/3688; G01C 21/3691; G01C 21/3654; G01C 21/3697; G01S 3/046; G01S 7/56-7/629

(71) Applicant: **Alpine Electronics, Inc.**, Tokyo (JP)

See application file for complete search history.

(72) Inventor: **Hideki Endo**, Tokyo (JP)

(56) **References Cited**

(73) Assignee: **Alpine Electronics, Inc.**, Tokyo (JP)

U.S. PATENT DOCUMENTS

(**) Term: **15 Years**

(21) Appl. No.: **29/628,621**

(22) Filed: **Dec. 6, 2017**

(51) **LOC (11) Cl.** **10-04**

(52) **U.S. Cl.**

USPC **D10/65**

(58) **Field of Classification Search**

USPC D10/65, 74; D12/192, 195; D14/132, D14/257, 198, 258, 458

CPC G06F 17/50; G06F 17/2235; G06F 17/30867; G06F 17/30699; G06F 3/048; G06F 3/0481; G06F 3/04812; G06F 3/04815; G06F 3/04817; G06F 3/0482; G06F 3/0483; G06F 3/0484; G06F 3/04842; G06F 3/04845; G06F 3/04897; G06F 3/0485; G06F 3/04855; G06F 3/0486; G06F 3/0487; G06F 3/0438; G06F 3/04883; G06F 3/04886; G06F 3/0489; G06F 3/04892; G06F 3/04895; G01C 21/36; G01C 21/3602; G01C 21/3605; G01C 21/3608; G01C 21/3611; G01C 21/3614; G01C 21/3617; G01C 21/362; G01C 21/3623; G01C 21/3626; G01C 21/3629; G01C 21/3632; G01C 21/3635; G01C 21/3638; G01C 21/3641; G01C 21/3644; G01C 21/3647; G01C 21/365; G01C 21/3652; G01C 21/3655; G01C 21/3658; G01C 21/3661; G01C 21/3664; G01C 21/3667; G01C 21/367; G01C 21/3673; G01C 21/3676; G01C 21/3679; G01C 21/3682; G01C 21/3685;

D550,637 S	9/2007	Iwamoto et al.	
D559,228 S	1/2008	Iwamoto	
D565,979 S	4/2008	Ichikawa et al.	
D572,218 S	7/2008	Iwamoto	
D575,252 S	8/2008	Iwamoto	
D576,058 S *	9/2008	Riddiford	D10/65
D581,818 S *	12/2008	Gretton	D10/65
D582,807 S	12/2008	Ichikawa et al.	
D593,881 S	6/2009	Endo et al.	
D608,774 S	1/2010	Iwamoto et al.	
D665,380 S	8/2012	Iwamoto	
8,527,669 B2	9/2013	Okada	
D698,671 S	2/2014	Takahara et al.	

(Continued)

Primary Examiner — Antoine Duval Davis

(74) *Attorney, Agent, or Firm* — Brinks Gilson & Lione

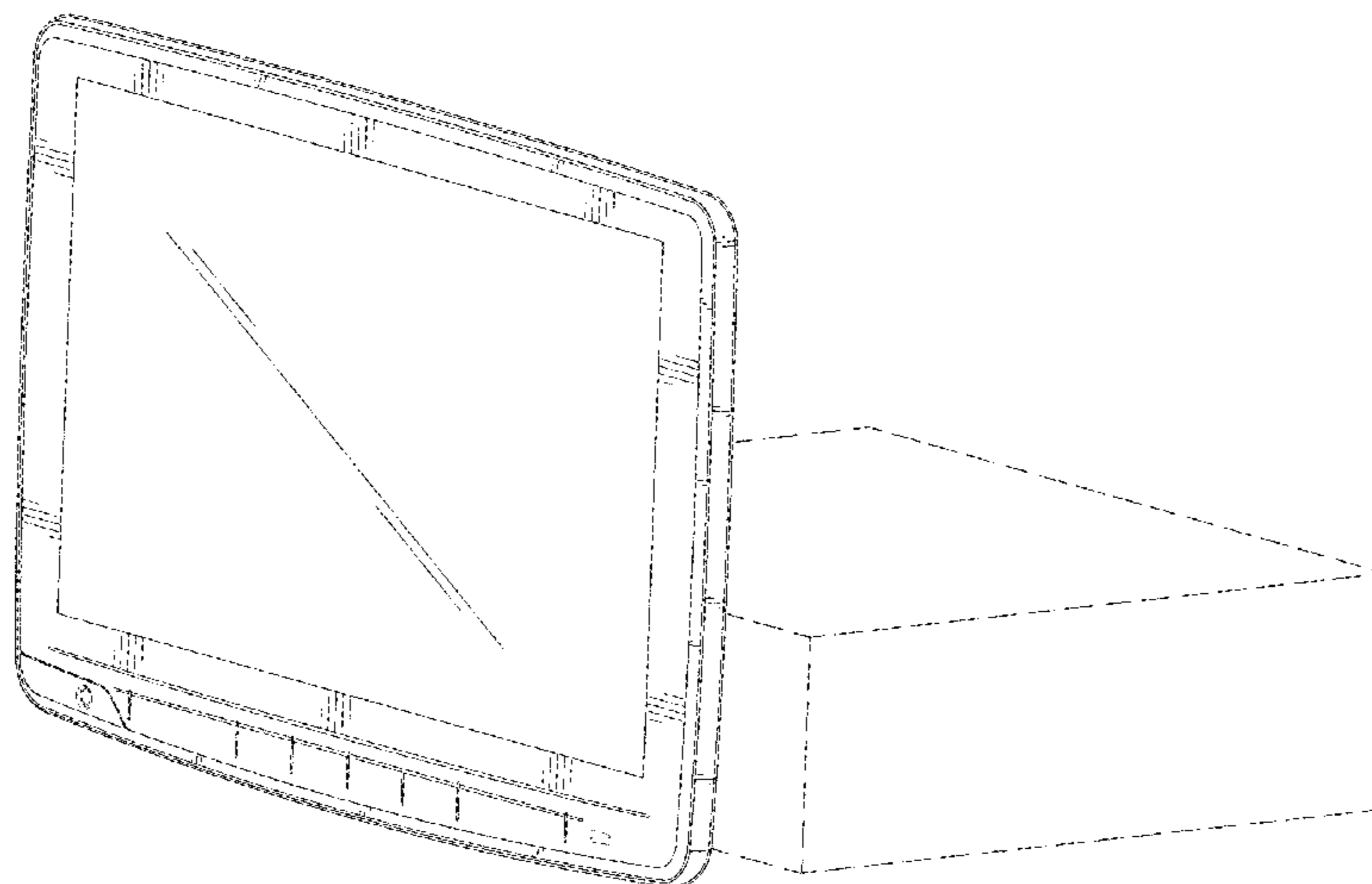
(57) **CLAIM**

The ornamental design of the navigation unit with audio video receiver for vehicle showing the new design, as shown and described.

DESCRIPTION

FIG. 1 is a perspective view of a navigation unit with audio video receiver for vehicle showing the new design; FIG. 2 is a front view thereof; FIG. 3 is a rear view thereof; FIG. 4 is a left-side view thereof; FIG. 5 is a right-side view thereof; FIG. 6 is a bottom view thereof; and, FIG. 7 is a top view thereof. The broken lines are for environmental purposes only and do not form any part of the claimed design.

1 Claim, 5 Drawing Sheets



(56)

References Cited

U.S. PATENT DOCUMENTS

D713,839 S	9/2014	Endo et al.	
D726,044 S	4/2015	Endo et al.	
D726,561 S	4/2015	Endo et al.	
D726,563 S	4/2015	Endo et al.	
D743,927 S	11/2015	Endo et al.	
D758,265 S	6/2016	Ichikawa et al.	
D758,266 S	6/2016	Ichikawa et al.	
D764,364 S	8/2016	Ichikawa et al.	
D771,617 S	11/2016	Ichikawa et al.	
D772,129 S	11/2016	Ichikawa et al.	
D793,886 S	8/2017	Ichikawa et al.	
D808,829 S *	1/2018	Dempsey	D10/65
D808,830 S *	1/2018	Dempsey	D10/65

* cited by examiner

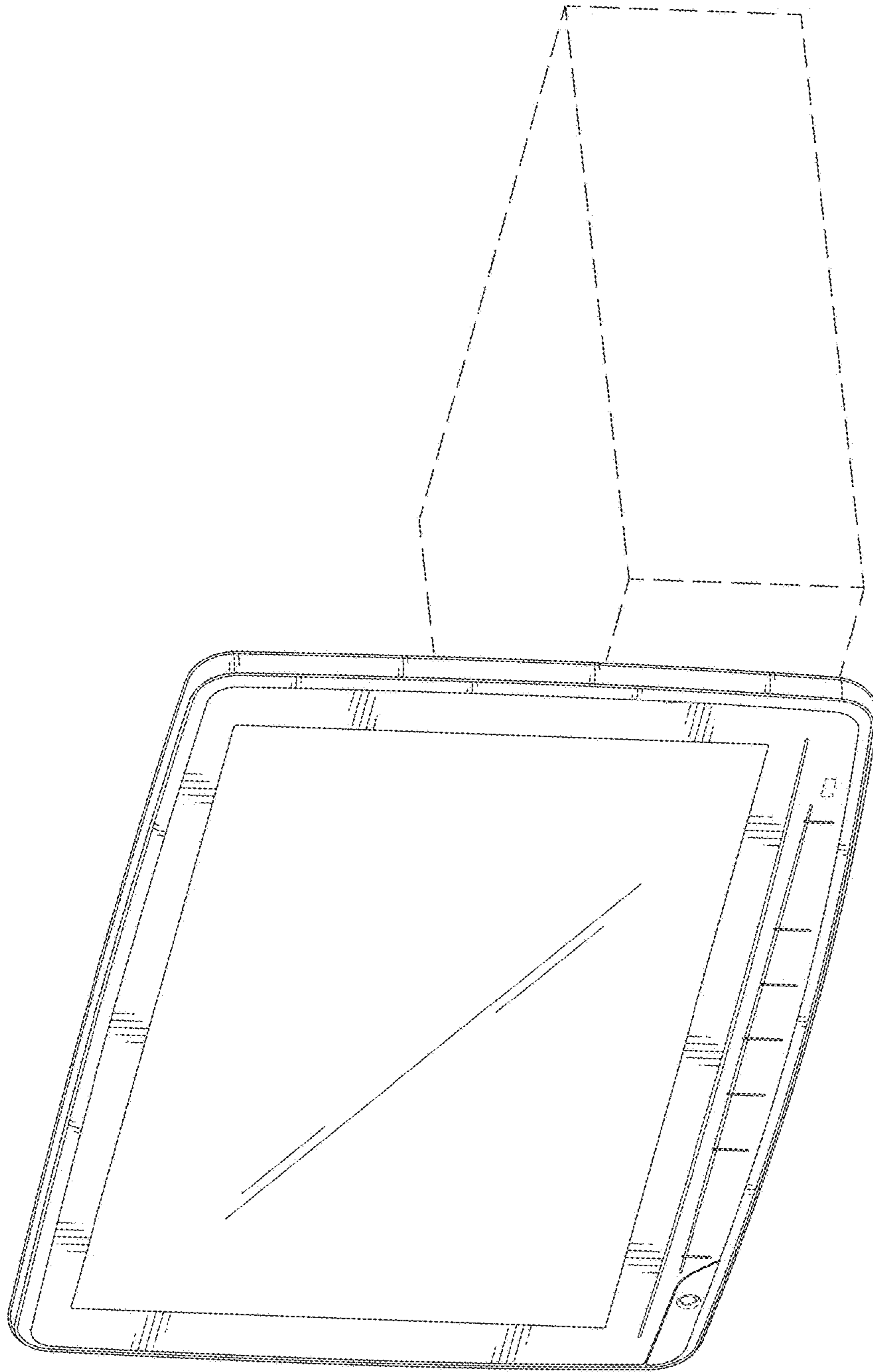


FIG. 1

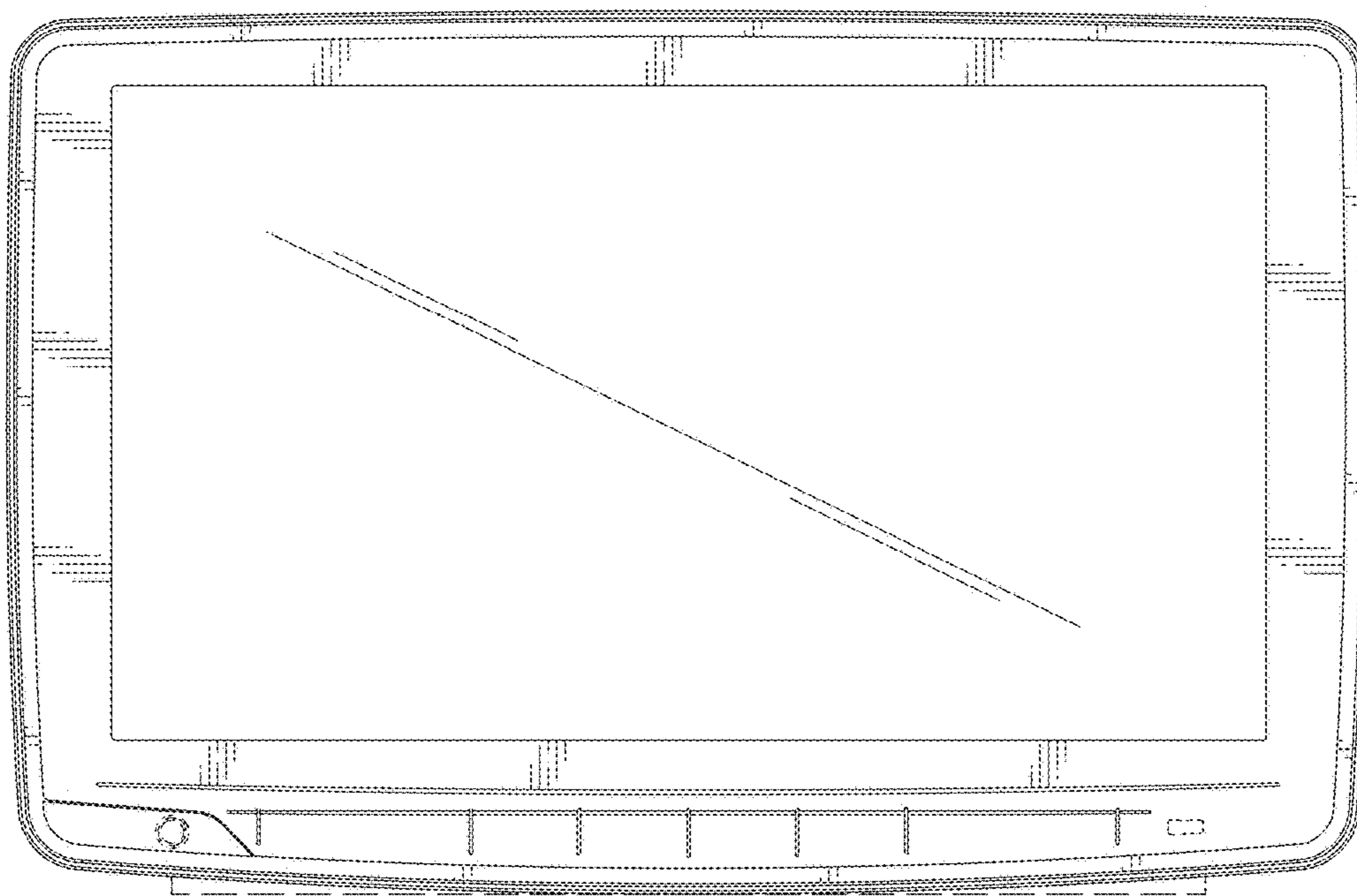


FIG. 2

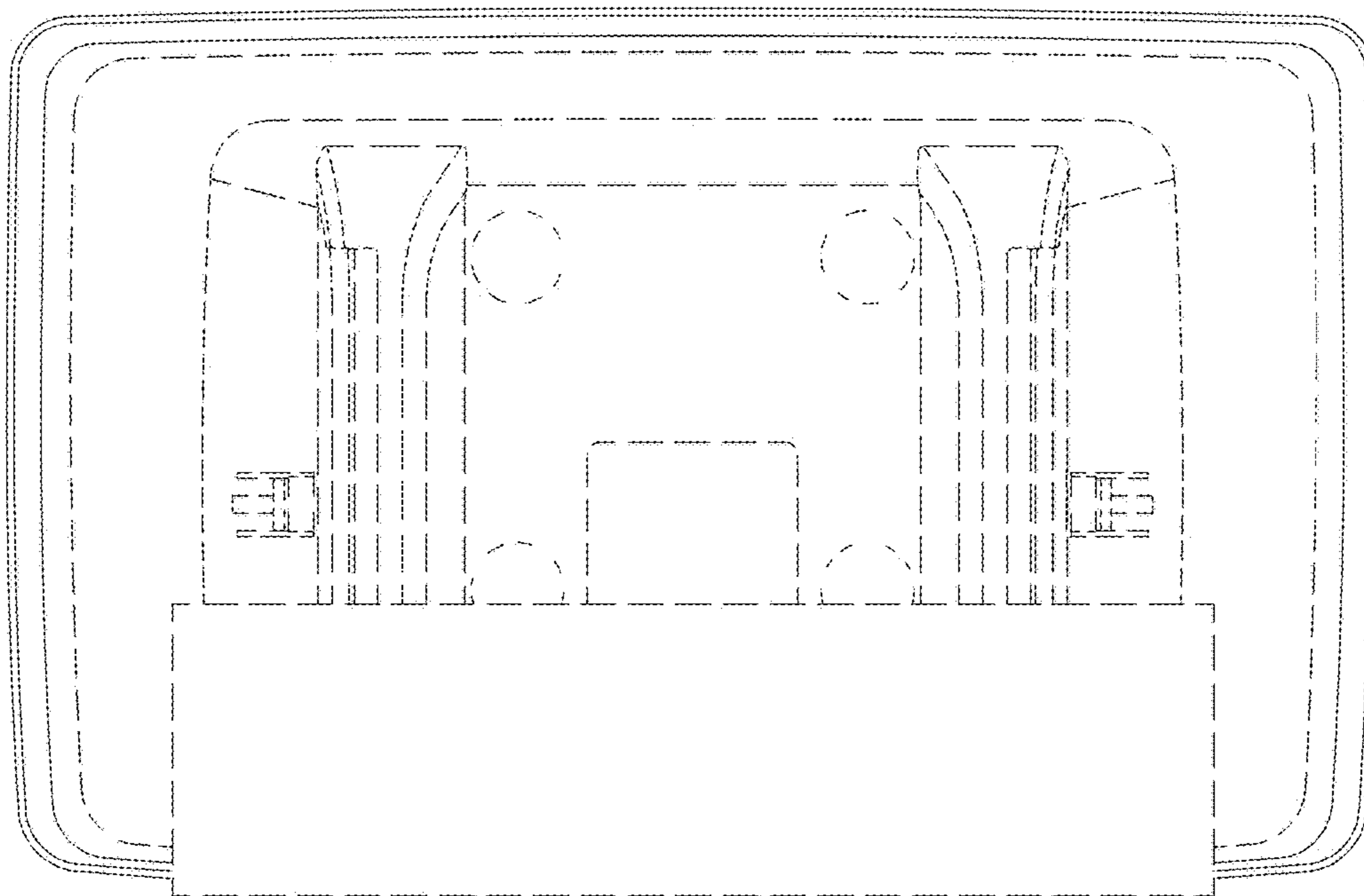


FIG. 3

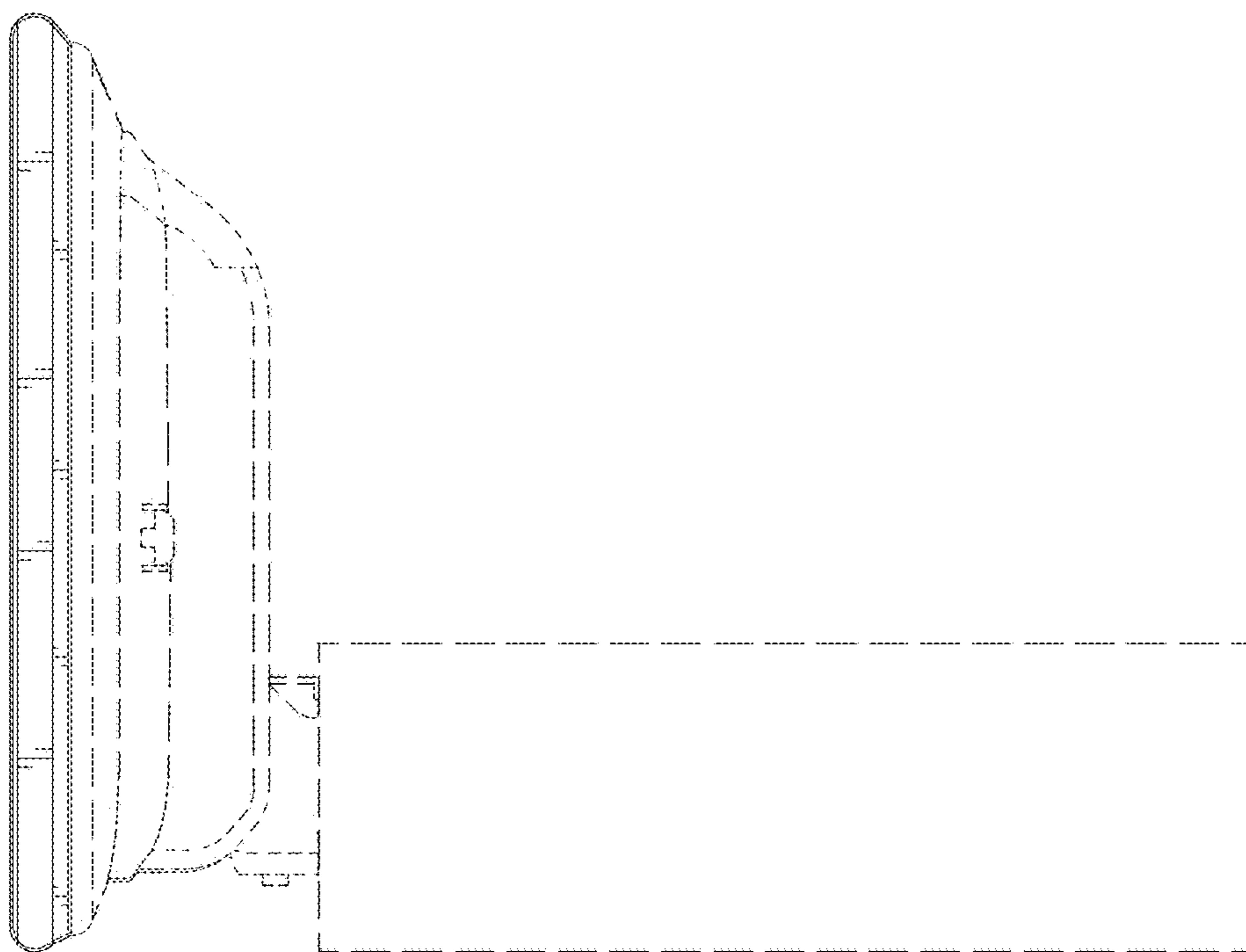


FIG. 4

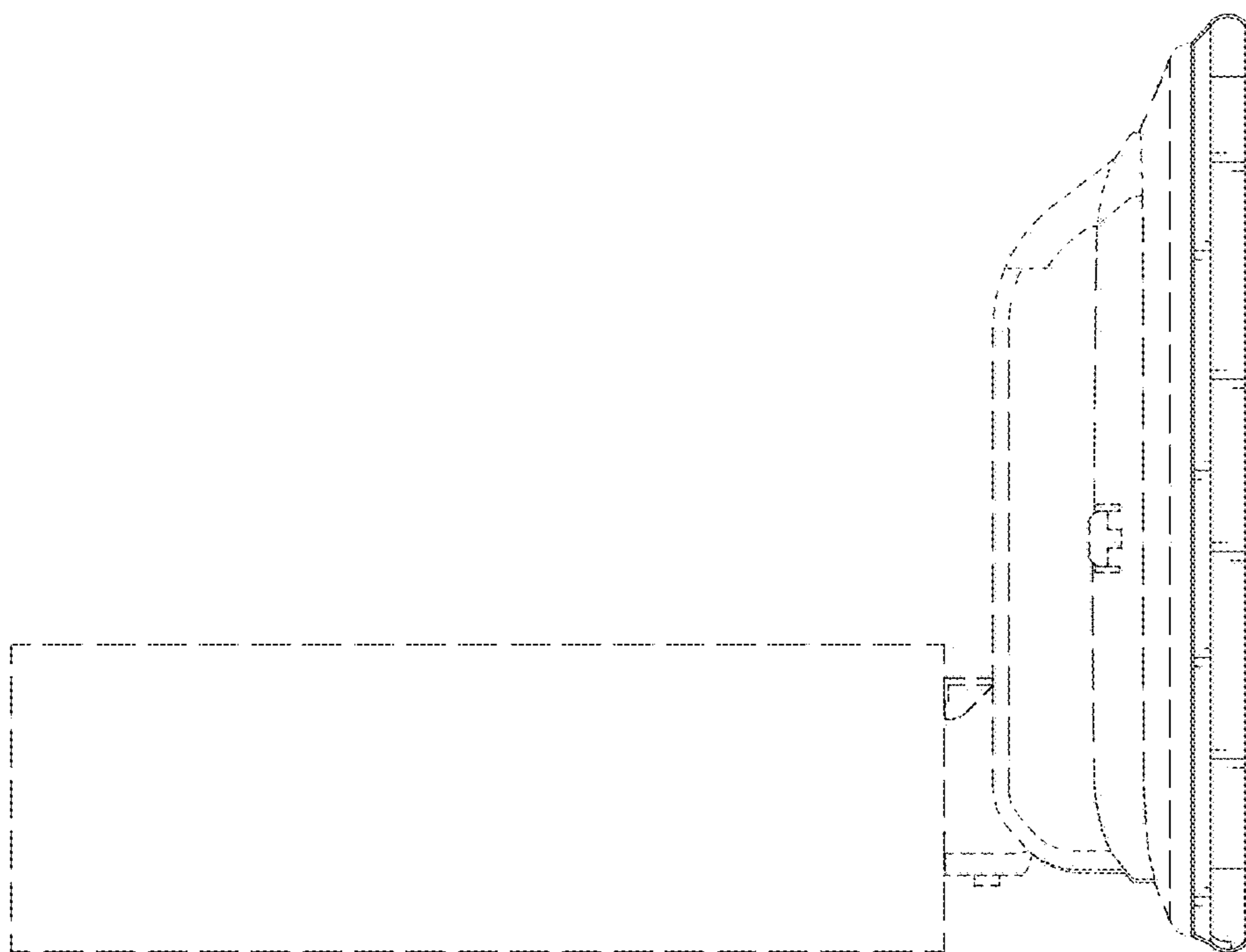


FIG. 5

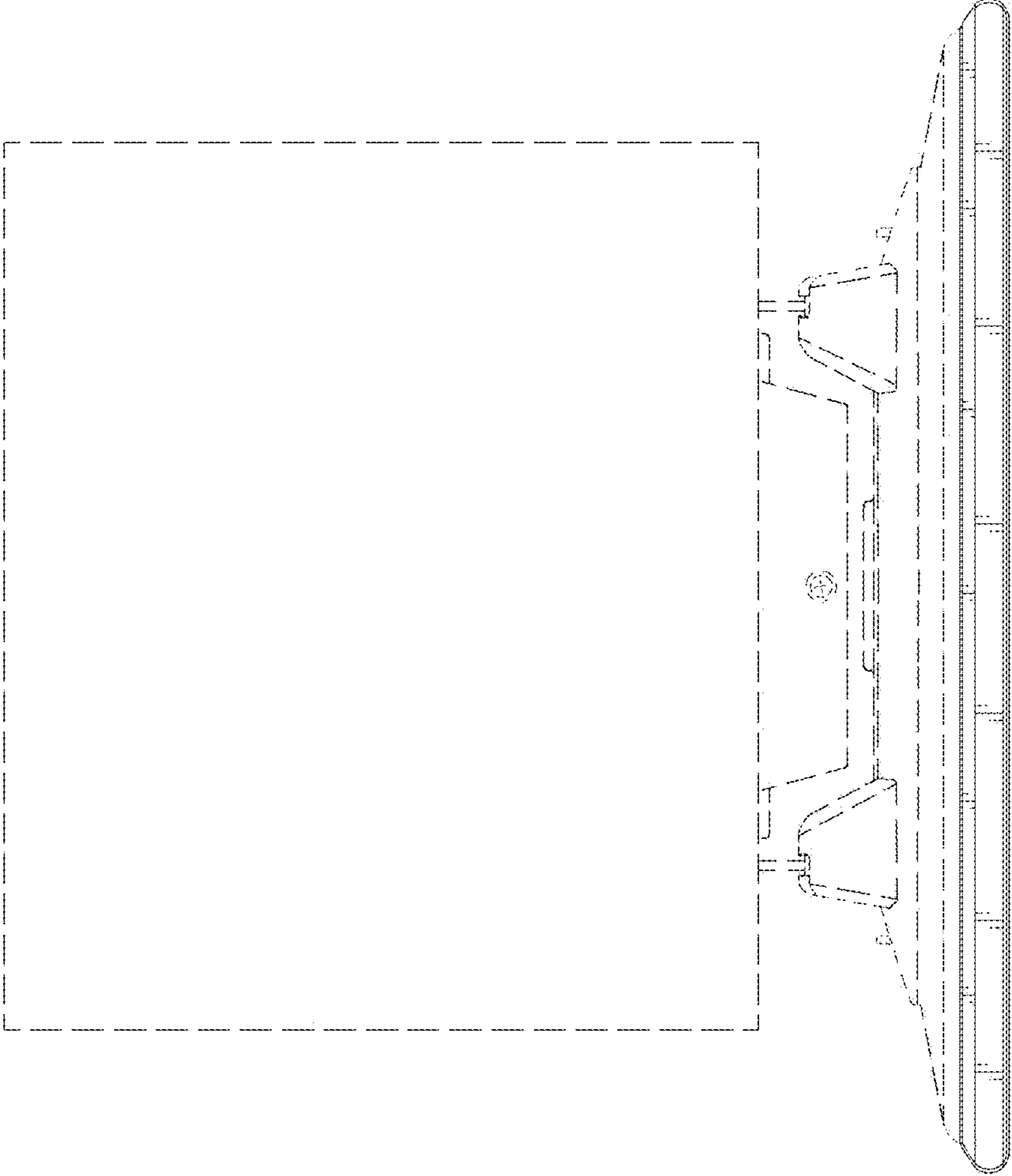


FIG. 6

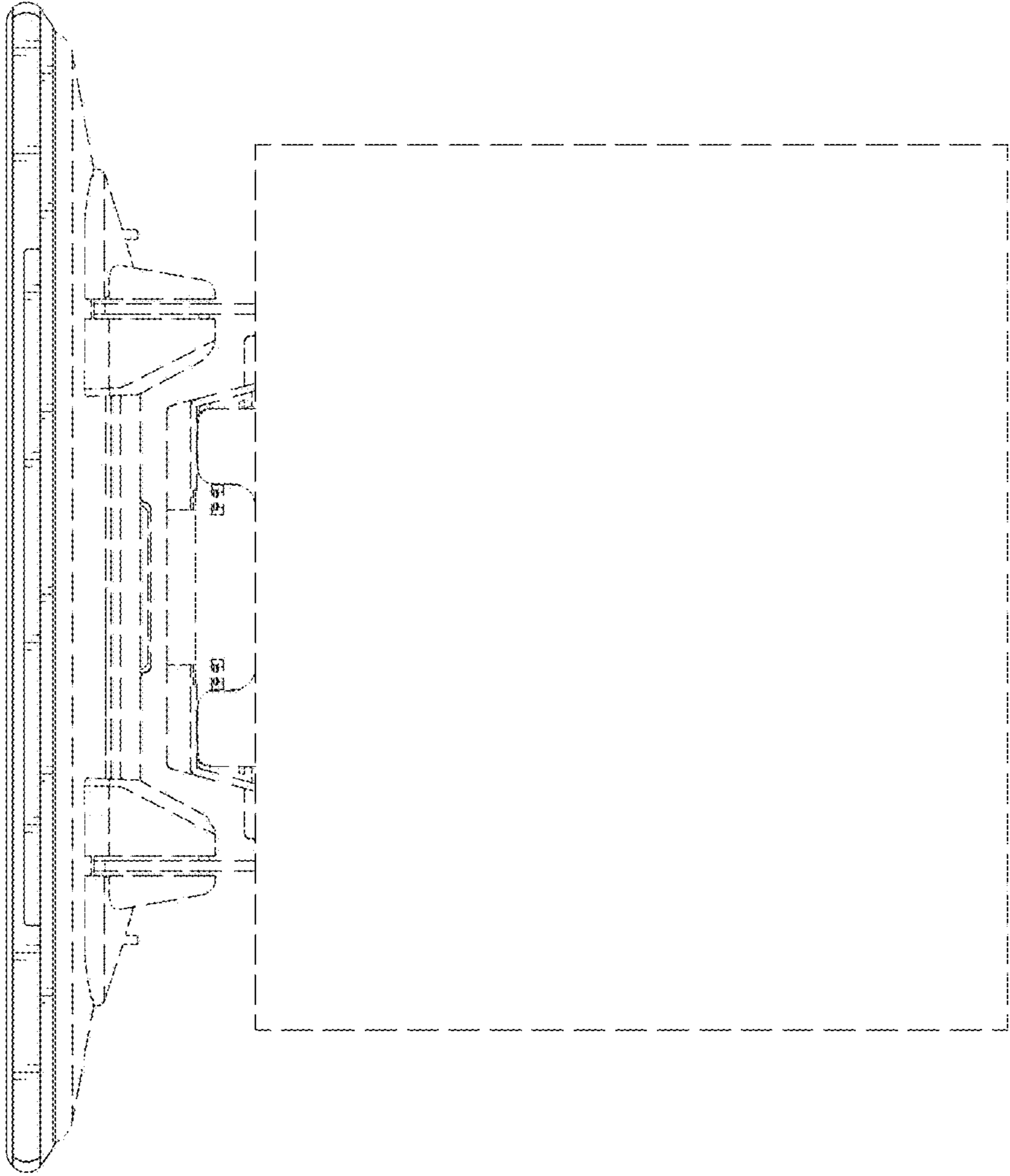


FIG. 7