



US00D847006S

(12) **United States Design Patent**
Hu

(10) **Patent No.:** **US D847,006 S**
(45) **Date of Patent:** **** Apr. 30, 2019**

(54) **WIRELESS DIGITAL KITCHEN THERMOMETER SYSTEM**

(71) Applicant: **Qianhai iTronics (Shenzhen) Technology Co., Ltd.**

(72) Inventor: **Jun Hu, Shenzhen (CN)**

(73) Assignee: **Qianhai iTronics (Shenzhen) Technology Co. Ltd., Shenzhen (CN)**

(**) Term: **15 Years**

(21) Appl. No.: **29/594,538**

(22) Filed: **Feb. 20, 2017**

(51) **LOC (11) Cl.** **10-04**

(52) **U.S. Cl.**
USPC **D10/57**

(58) **Field of Classification Search**
USPC D10/49, 50, 52, 57, 78
CPC G01K 2207/02; G01K 2207/04; G01K 2207/06; G01K 2207/08; G01K 1/024
See application file for complete search history.

(56) **References Cited**

U.S. PATENT DOCUMENTS

D446,135 S * 8/2001 Chen D10/57
D472,480 S * 4/2003 Chung D10/57
6,568,848 B1 * 5/2003 Chapman G01K 1/024
340/870.17

(Continued)

OTHER PUBLICATIONS

<https://www.youtube.com/watch?v=vysEkzfdTGw> Posted Nov. 10, 2016 (Year: 2016).*

(Continued)

Primary Examiner — Leanne Was-Englehart

(74) *Attorney, Agent, or Firm* — Mann Law Group

(57) **CLAIM**

The ornamental design for a wireless digital kitchen thermometer system, as shown and described.

DESCRIPTION

The wireless digital thermometer system is comprised of a Remote Display and Control Unit as shown in FIGS. 1-7 and a Remote Sensing Unit, shown in FIGS. 8-14.

FIG. 1 is a front perspective view of the remote display and control unit for the wireless digital kitchen thermometer system.

FIG. 2 is a front elevation view of the remote display and control unit;

FIG. 3 is a rear elevation view of the remote display and control unit;

FIG. 4 is right side elevation view of the remote display and control unit;

FIG. 5 is a left side elevation view of the remote display and control unit;

FIG. 6 is a top plan view of the remote display and control unit;

FIG. 7 is a bottom plan view of the remote display and control unit.

FIG. 8 is a front perspective view of the remote sensing unit for the wireless digital kitchen thermometer system.

FIG. 9 is a front elevation view of the remote sensing unit;

FIG. 10 is a rear elevation view of the remote sensing unit;

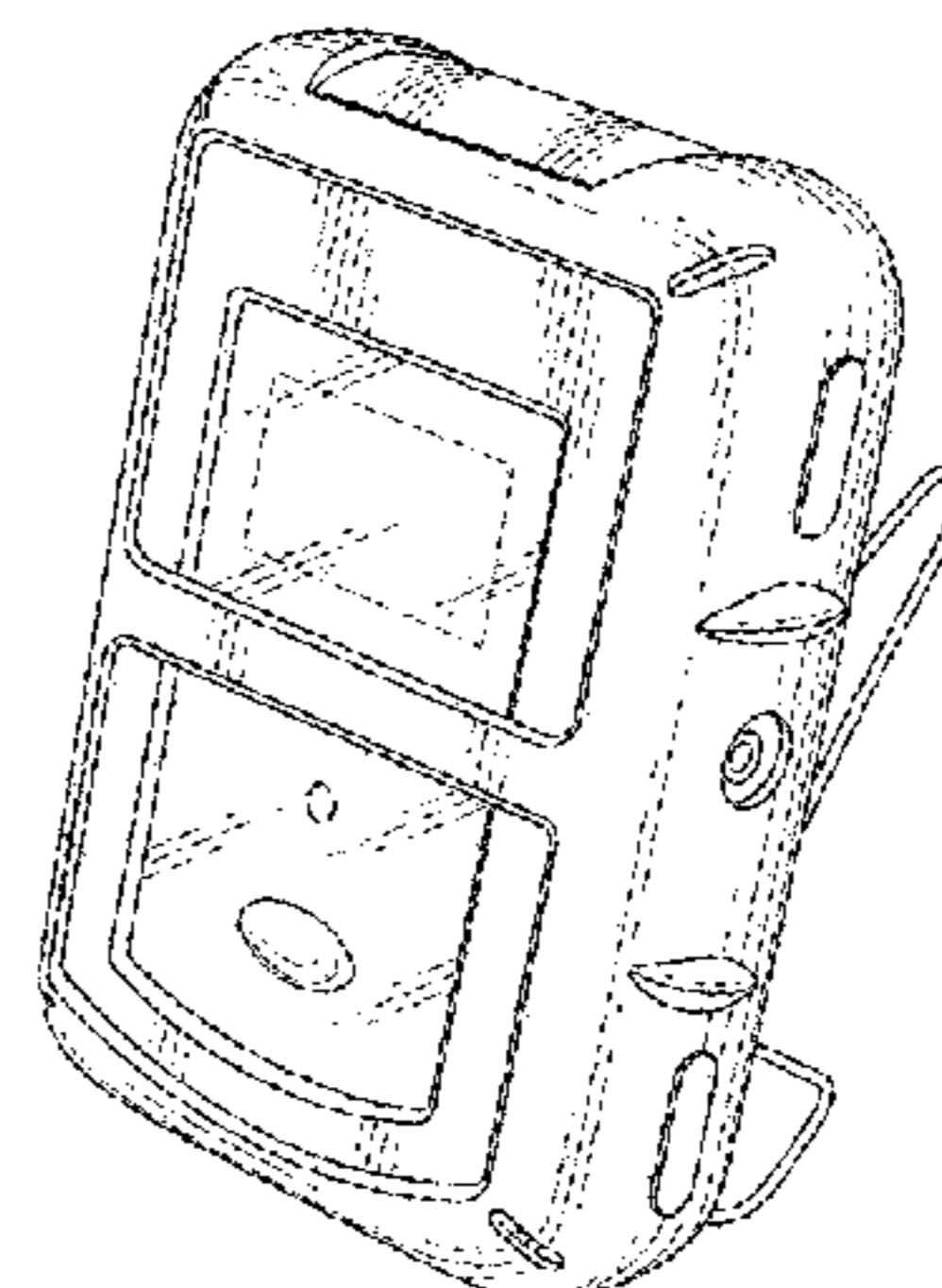
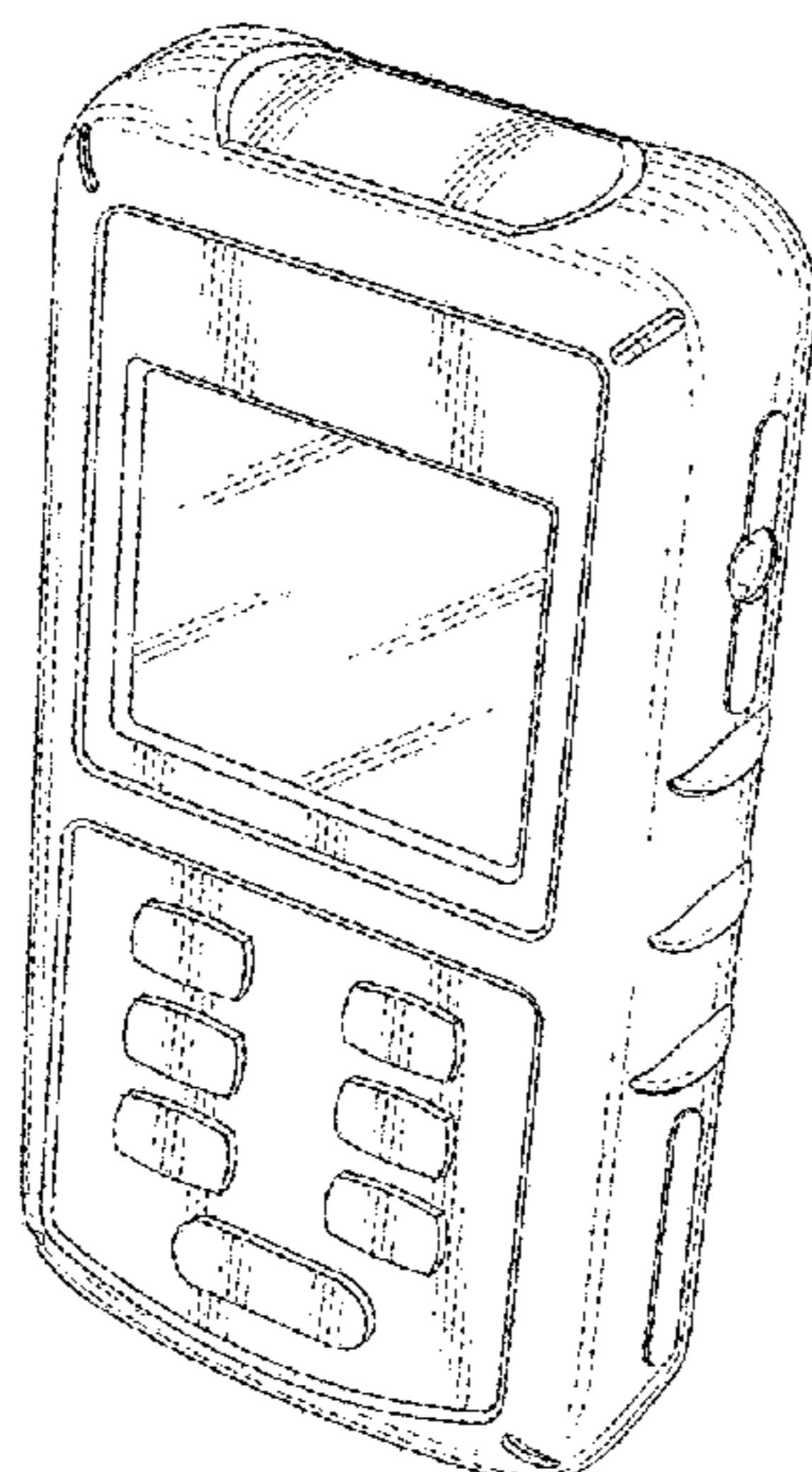
FIG. 11 is right side elevation view of the remote sensing unit;

FIG. 12 is a left side elevation view of the remote sensing unit;

FIG. 13 is a top plan view of the remote sensing unit; and,

FIG. 14 is a bottom plan view of the remote sensing unit. The broken lines depict portions of the wireless digital kitchen thermometer system that form no part of the claimed design.

1 Claim, 4 Drawing Sheets



(56)

References Cited

U.S. PATENT DOCUMENTS

D504,335 S * 4/2005 Stevenson D10/57
D554,545 S * 11/2007 Teraoka D10/57
D588,482 S * 3/2009 Kim D10/78
D597,423 S * 8/2009 Park D10/52
D614,974 S * 5/2010 Golberg D10/50
7,722,248 B1 * 5/2010 Chapman G01K 1/024
340/870.17
D621,728 S * 8/2010 Au D10/46
D670,579 S * 11/2012 Cooney D10/57
D679,204 S * 4/2013 Breuer D10/49
D724,963 S * 3/2015 Ambrose D10/47
D765,523 S * 9/2016 Chapman D10/57
D788,605 S * 6/2017 Rouillard D10/57
D799,346 S * 10/2017 Wong D10/57

OTHER PUBLICATIONS

<http://amanecer.jp/archives/6570> Available May 12, 2016 (Year: 2016).*

<http://binki-testet.blogspot.com/2015/12/thermopro-tp07-barbecue-thermometer.html> Posted Dec. 12, 2015 (Year: 2015).*

<http://www.muchdeals.com/product/thermopro-tp-07-300-feet-range-wireless-thermometer-remote-bbq-smoker-grill-oven-meat-thermometer-with-timer/> Uploaded Jan. 2016 (Year: 2016).*

<https://www.youtube.com/watch?v=MrIUNWBJq30> Posted Nov. 24, 2015 (Year: 2015).*

<https://www.youtube.com/watch?v=XZGacaNicEc> Posted Jun. 22, 2016 (Year: 2016).*

<https://www.youtube.com/watch?v=AbvUGJTa191> Posted Oct. 26, 2016 (Year: 2016).*

* cited by examiner

FIG. 1

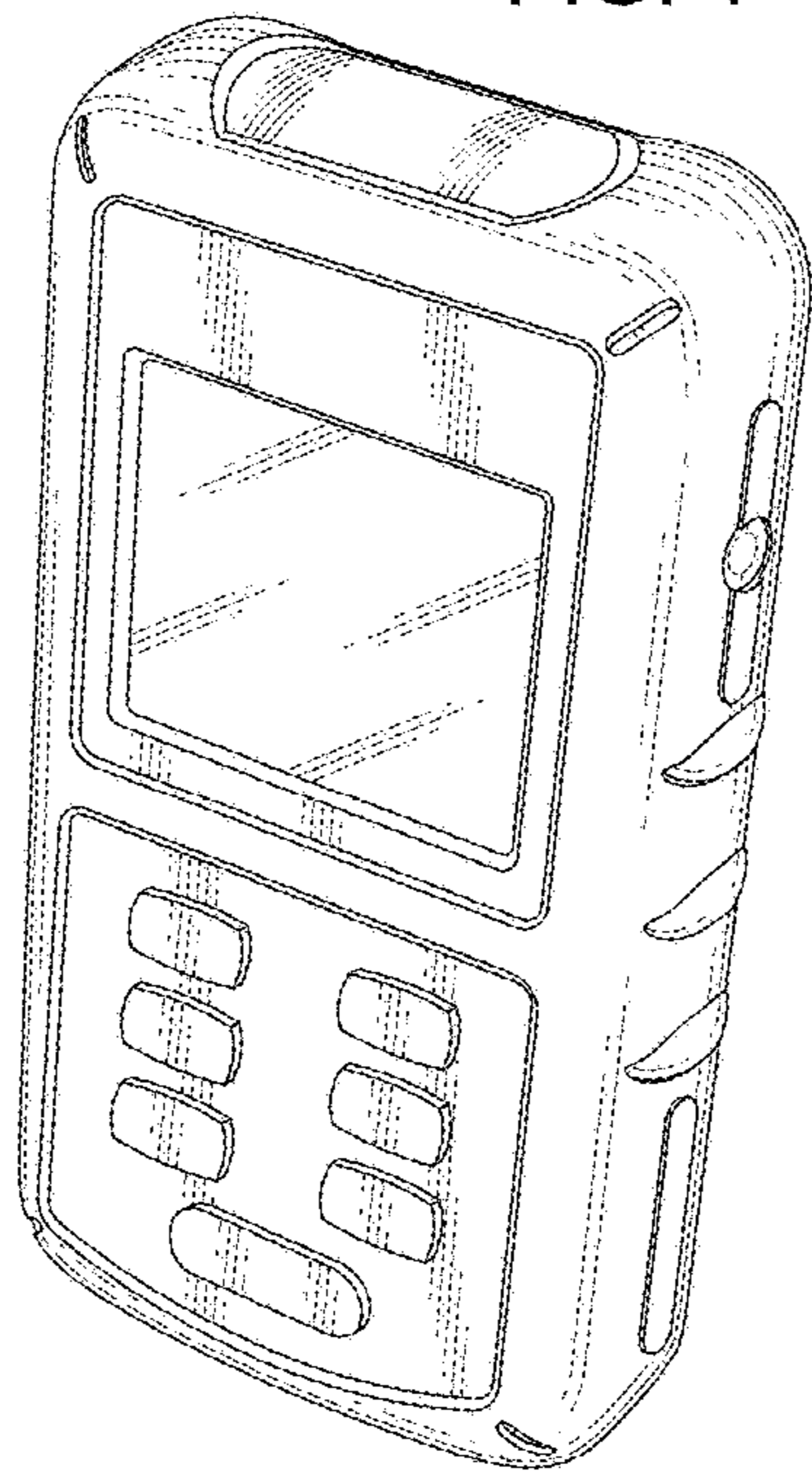


FIG. 2

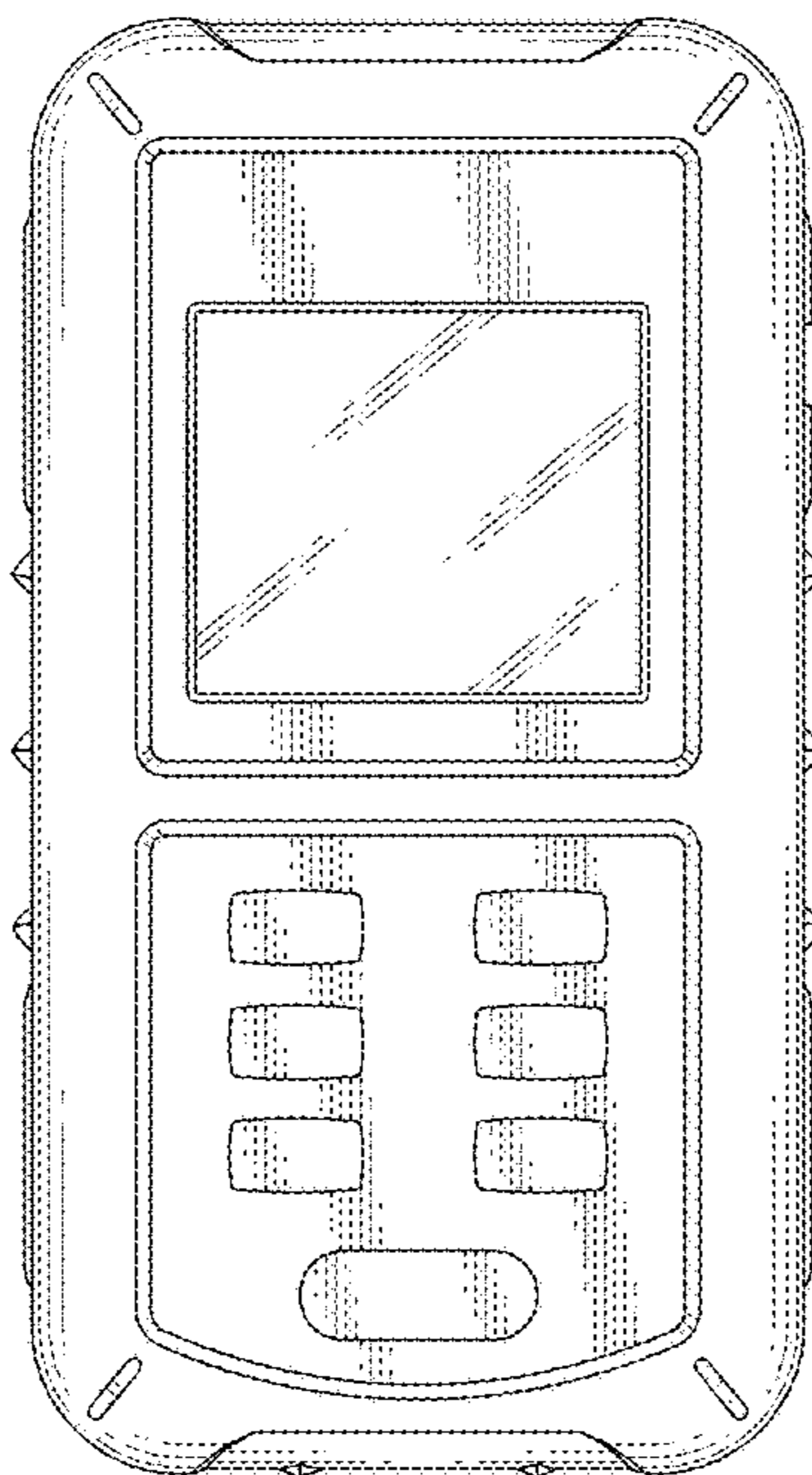


FIG. 3

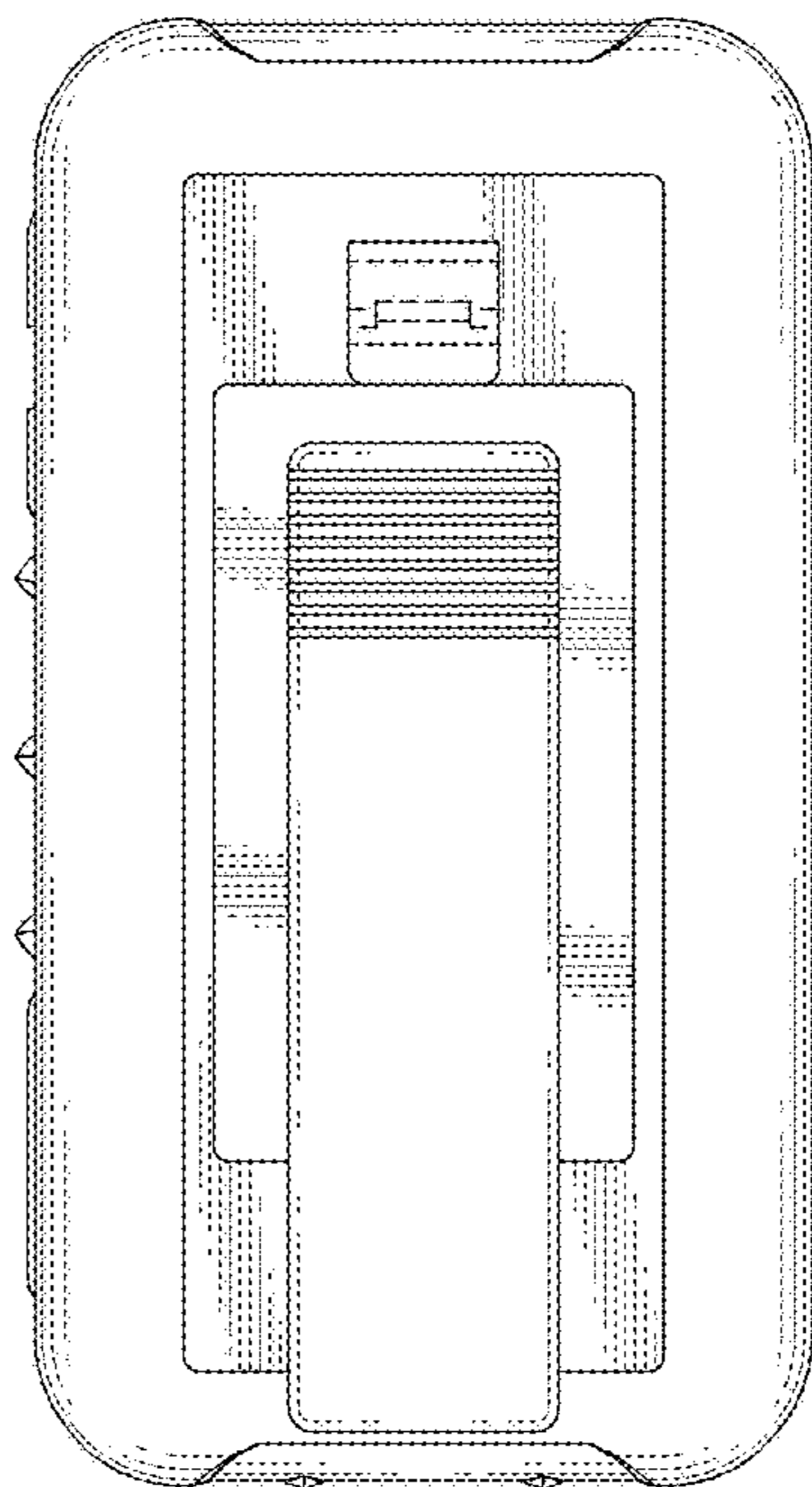


FIG. 4

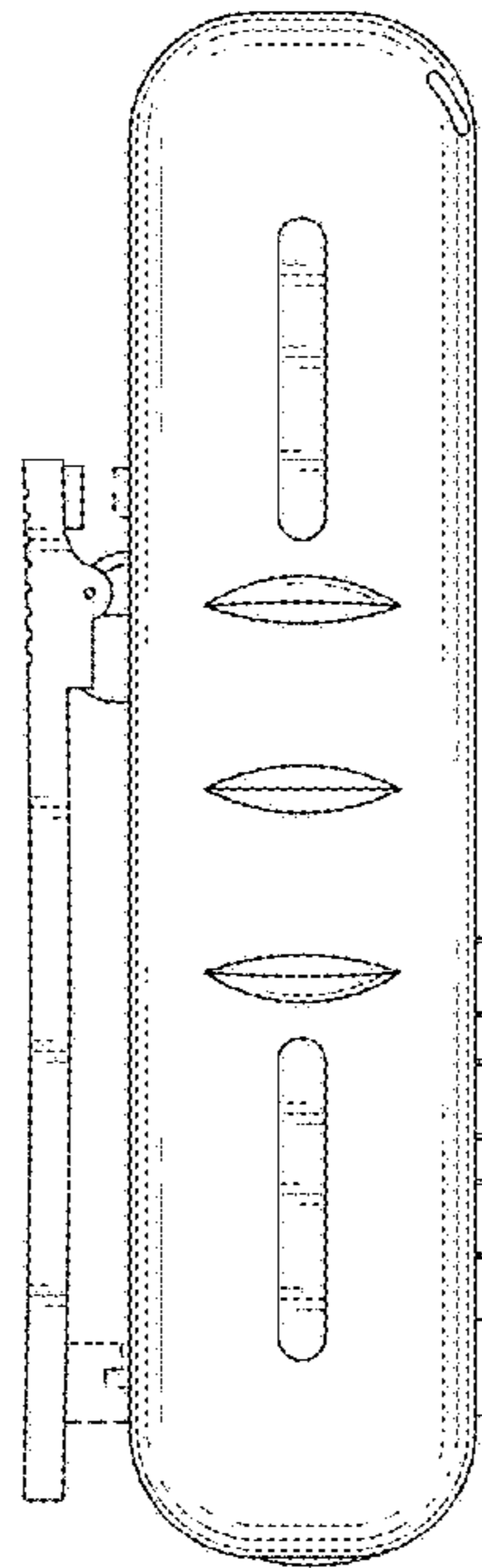


FIG. 5

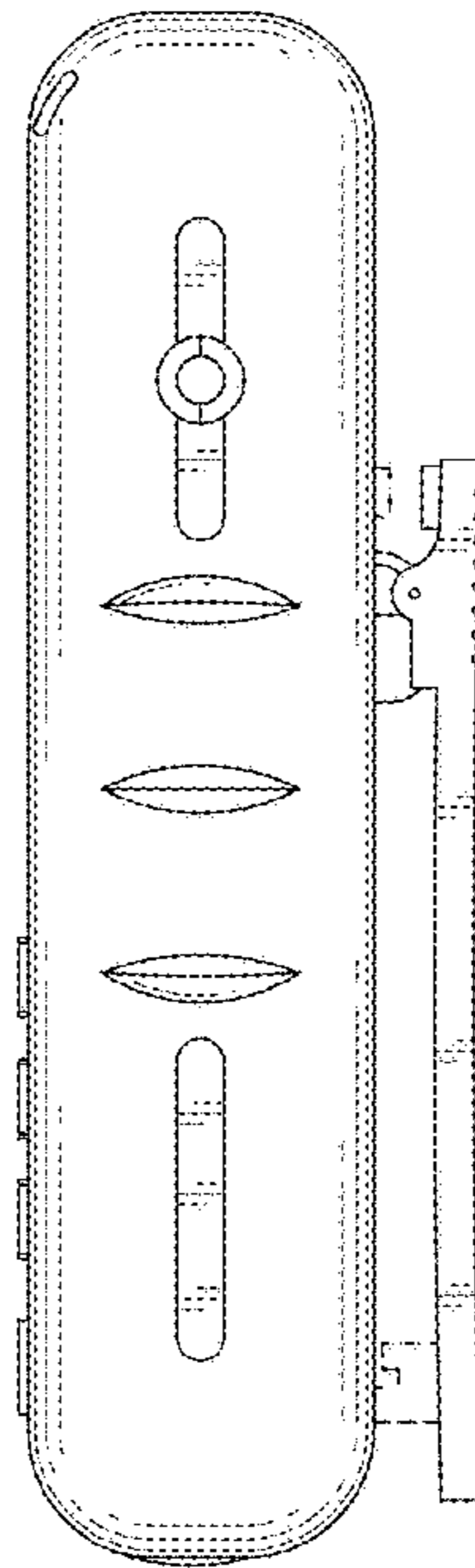


FIG. 6

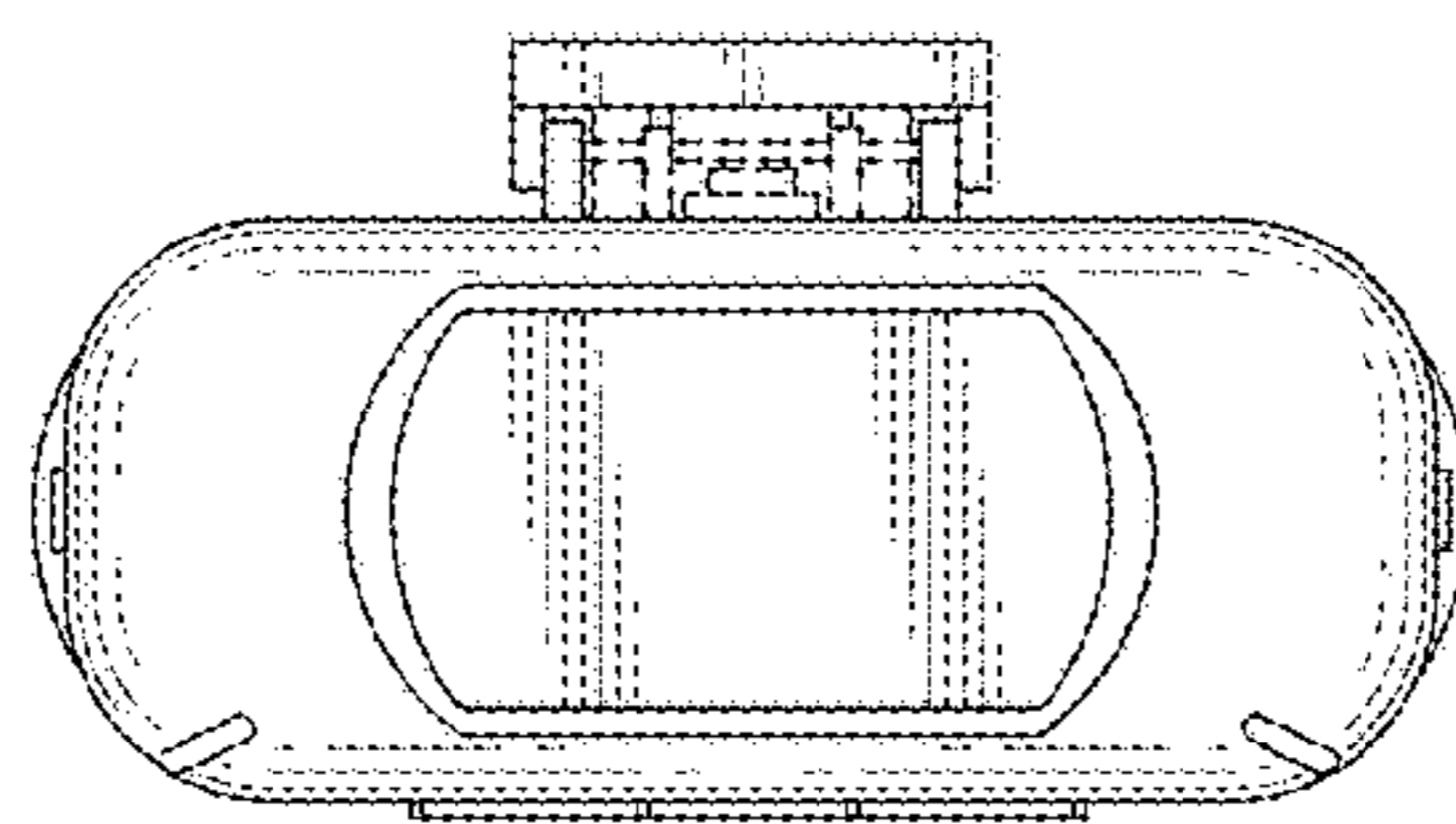


FIG. 7

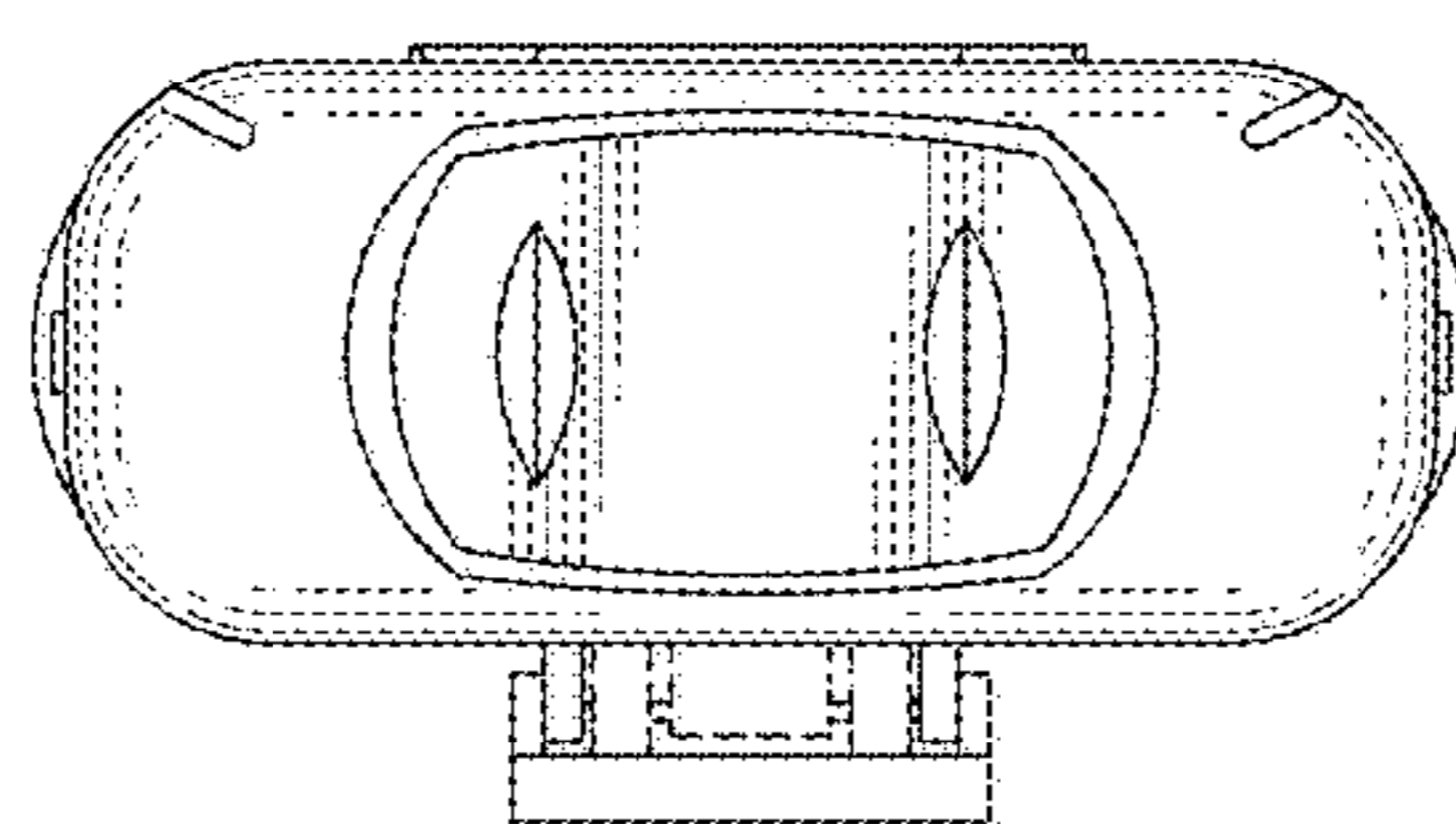


FIG. 8

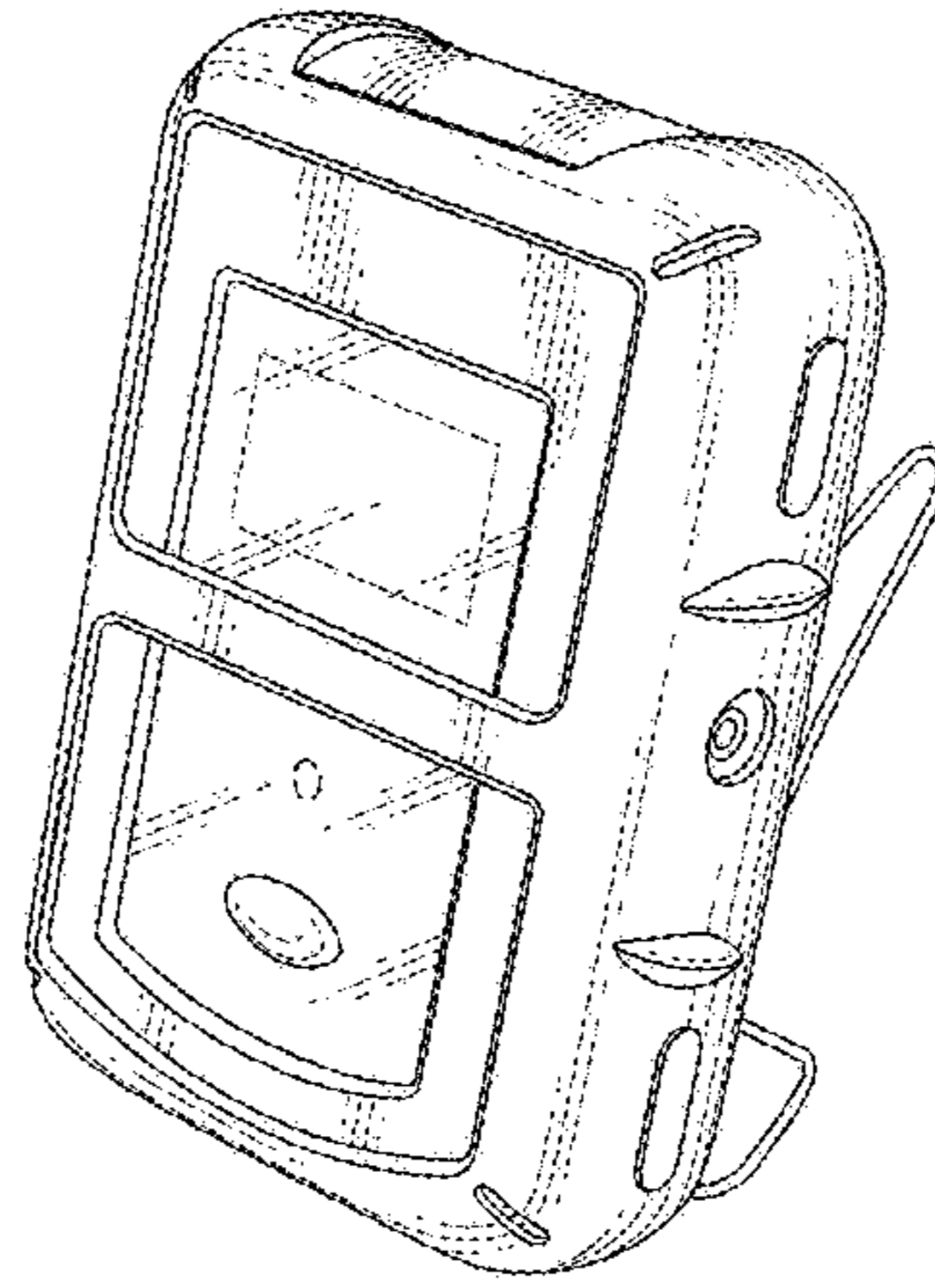


FIG. 9

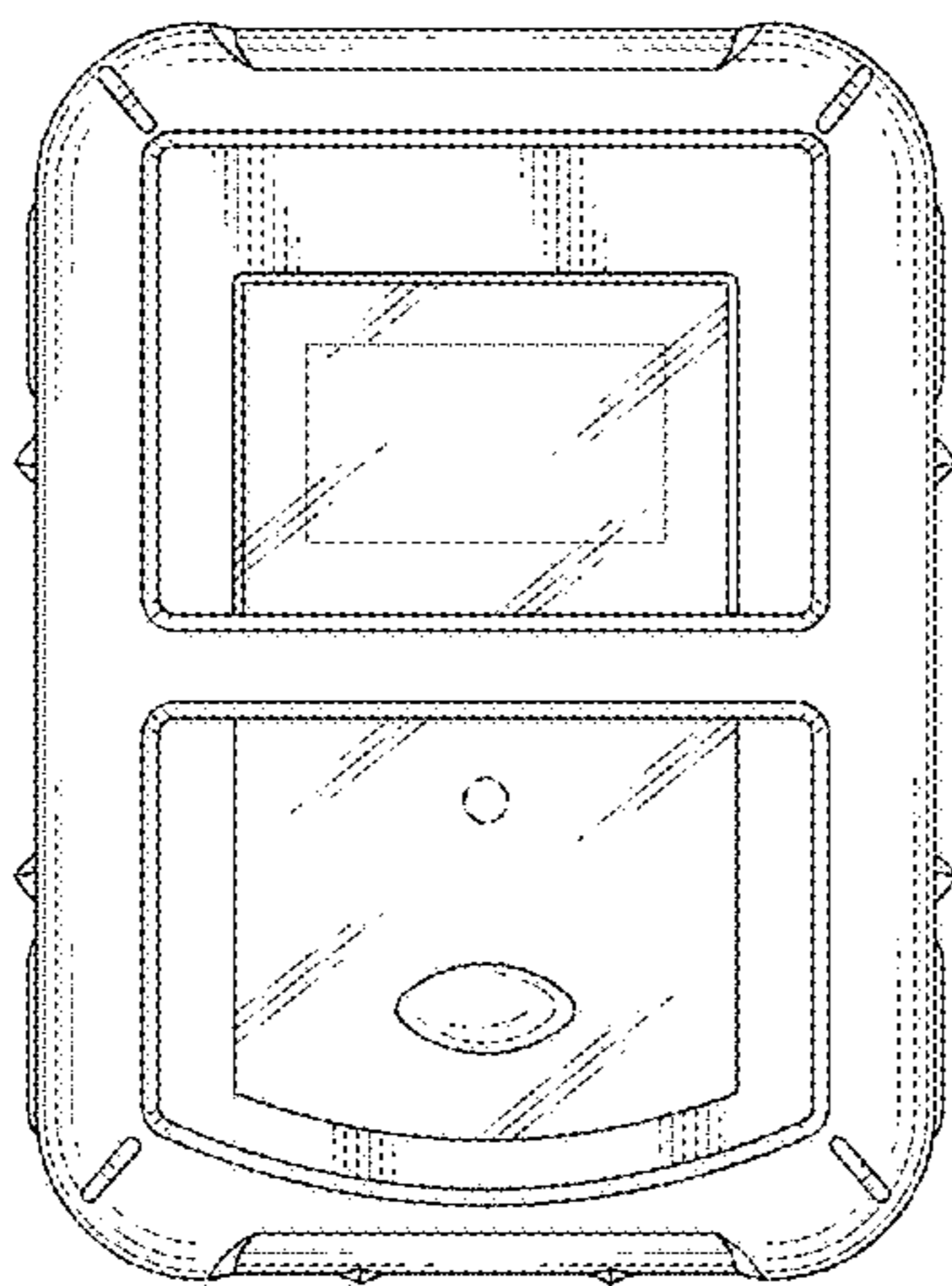


FIG. 10

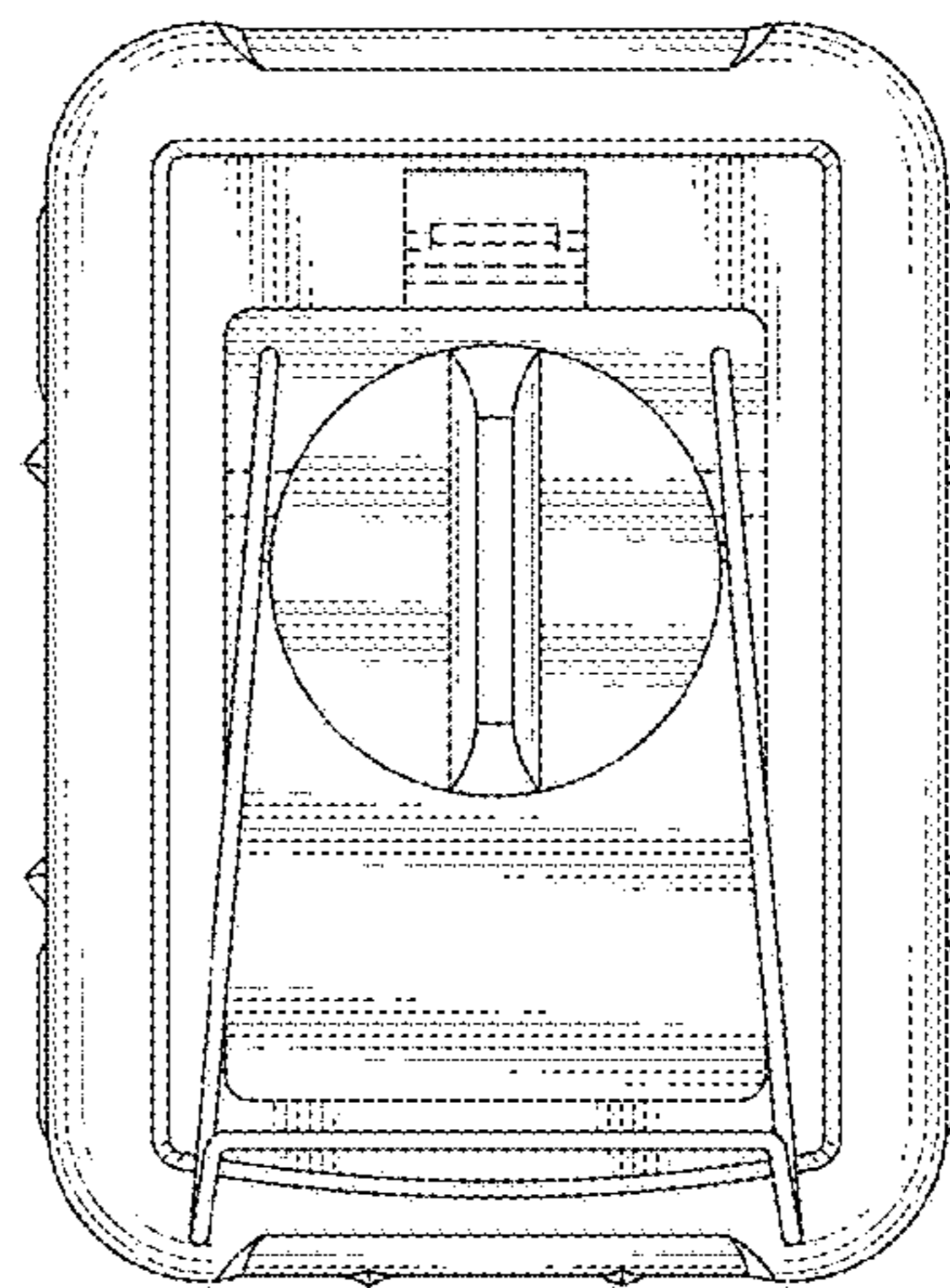


FIG. 11

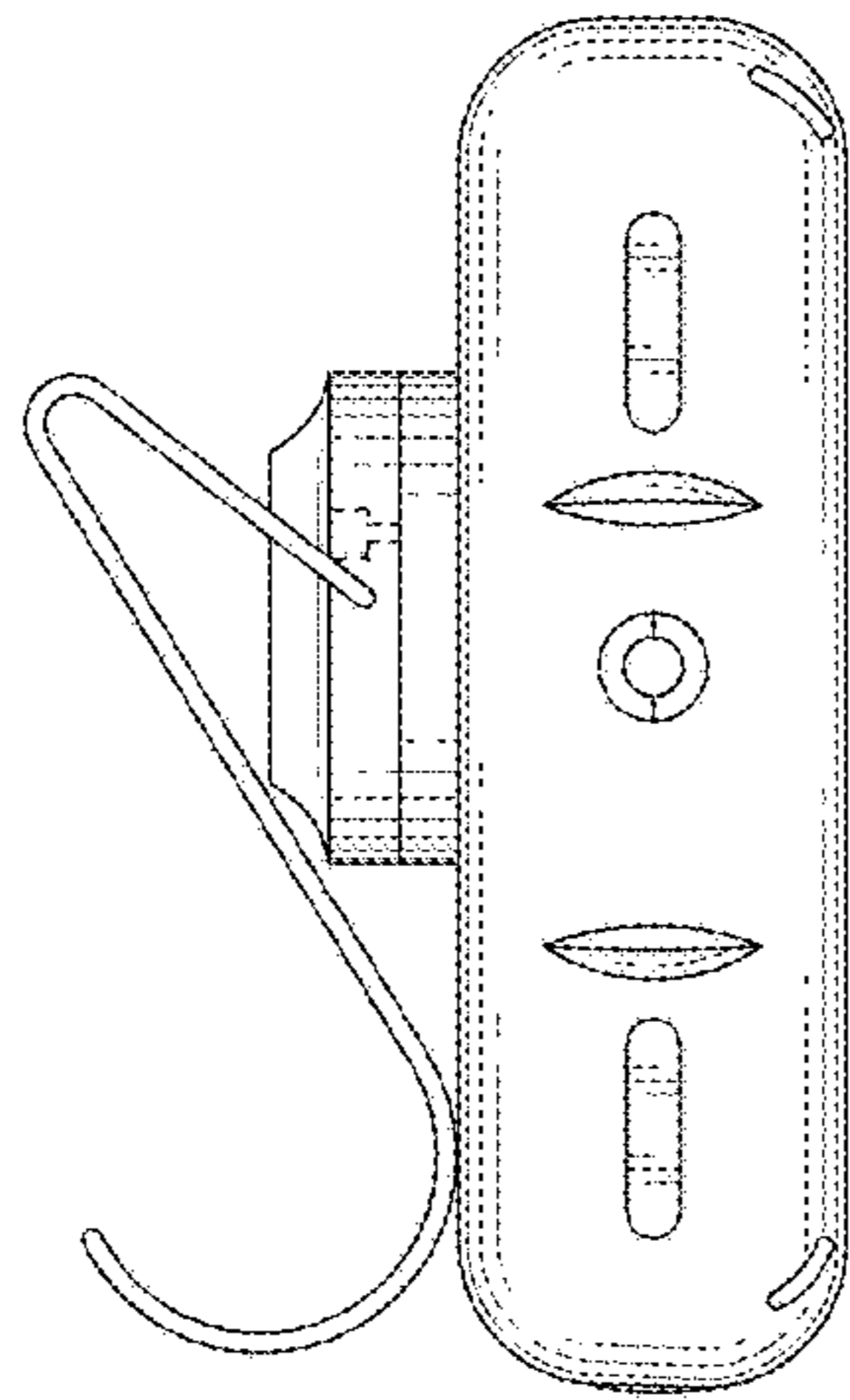


FIG. 12

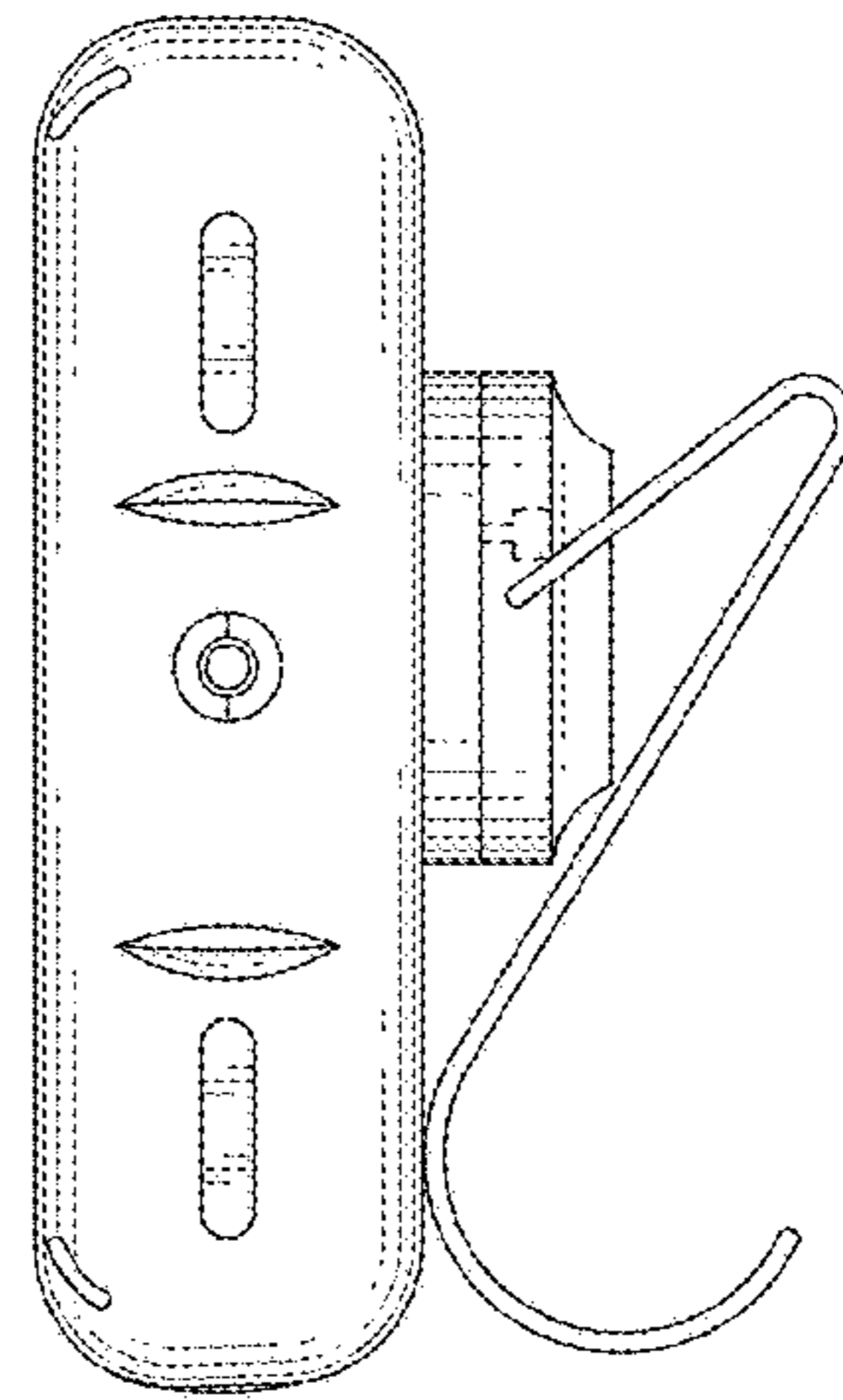


FIG. 13

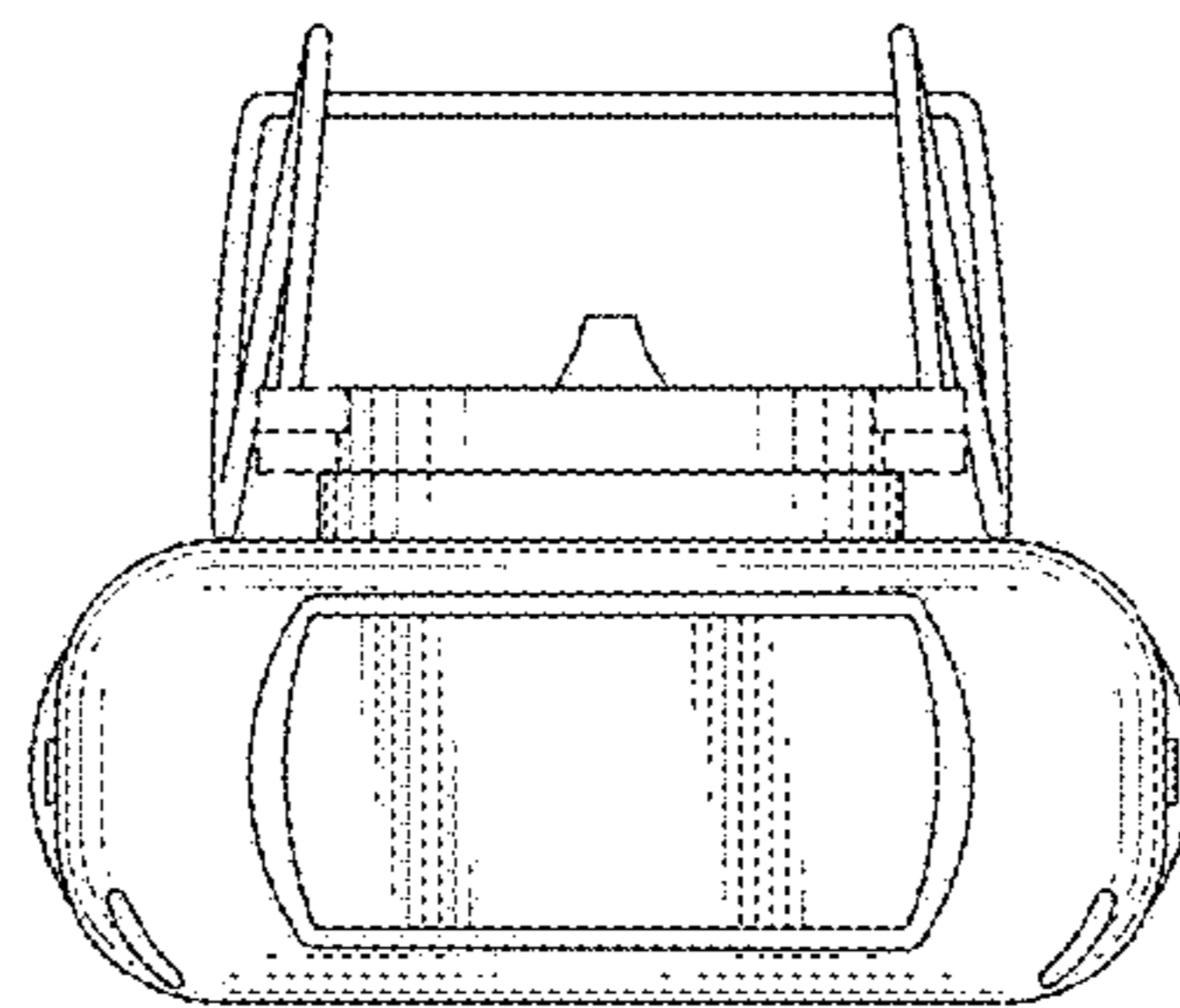


FIG. 14

