



US00D847005S

(12) **United States Design Patent**  
**Davoli**

(10) **Patent No.:** **US D847,005 S**  
(45) **Date of Patent:** **\*\* Apr. 30, 2019**

- (54) **WATCH**
- (71) Applicant: **Richemont International SA,**  
Villars-sur-Glane (CH)
- (72) Inventor: **Laurent Davoli,** Geneva (CH)
- (73) Assignee: **Richemont International SA,**  
Villars-sur-Glane (CH)
- (\*\*) Term: **15 Years**
- (21) Appl. No.: **29/605,686**
- (22) Filed: **May 30, 2017**
- (51) **LOC (11) Cl.** ..... **10-02**
- (52) **U.S. Cl.**  
USPC ..... **D10/39**
- (58) **Field of Classification Search**  
USPC ..... D10/30, 31, 32, 33, 34, 35, 36, 37, 38,  
D10/39, 122, 123, 124, 128, 102; D11/1,  
D11/2, 3, 4; D14/300, 341, 344, 137,  
D14/138 R, 138 G  
CPC ..... G04B 17/00; G04B 17/02; G04B 17/005;  
G04B 17/285; G04B 37/00; G04B  
37/0058; G04B 45/00; G04B 45/02;  
G04B 45/0038; G04B 45/0069; G04B  
45/0076; G04B 29/00; G04B 19/268  
See application file for complete search history.

D484,423 S *	12/2003	Takahashi	.....	D10/32
D505,342 S *	5/2005	Hayek	.....	D10/39
D530,628 S *	10/2006	Raffy	.....	D10/32
D548,622 S *	8/2007	Salemi	.....	D10/32
D726,555 S *	4/2015	Ruffieux	.....	D10/126
D782,339 S *	3/2017	White	.....	D10/39

**FOREIGN PATENT DOCUMENTS**

CH 711072 A2 \* 11/2016 ..... G04B 19/24

**OTHER PUBLICATIONS**

Watches.com, Mondaine Ultra Thin Men's Mesh, reviewed Dec. 4, 2015, [online], [site visited Sep. 10, 2018]. Available from Internet, <URL: <https://www.watches.com/mondaine-A672.30350.16SBM>> (Year: 2015).\*

\* cited by examiner

*Primary Examiner* — Sheryl Lane  
*Assistant Examiner* — Samantha N Wood  
(74) *Attorney, Agent, or Firm* — Taft Stettinius & Hollister LLP

(57) **CLAIM**

The ornamental design for a watch, as shown and described.

**DESCRIPTION**

FIG. 1 is a front elevational view of a watch showing my new design;  
FIG. 2 is a back elevational view thereof;  
FIG. 3 is a right side elevational view thereof;  
FIG. 4 is a left side elevational view thereof;  
FIG. 5 is a top plan view thereof;  
FIG. 6 is a bottom plan view thereof;  
FIG. 7 is a front, right side perspective view thereof; and,  
FIG. 8 is a back, left side perspective view thereof.

**1 Claim, 8 Drawing Sheets**

(56) **References Cited**

**U.S. PATENT DOCUMENTS**

D60,210 S *	1/1922	Berge	.....	D10/101
D303,504 S *	9/1989	Hysek	.....	D10/32
D472,157 S *	3/2003	Takahashi	.....	D10/32
D476,581 S *	7/2003	Calvani	.....	D10/30

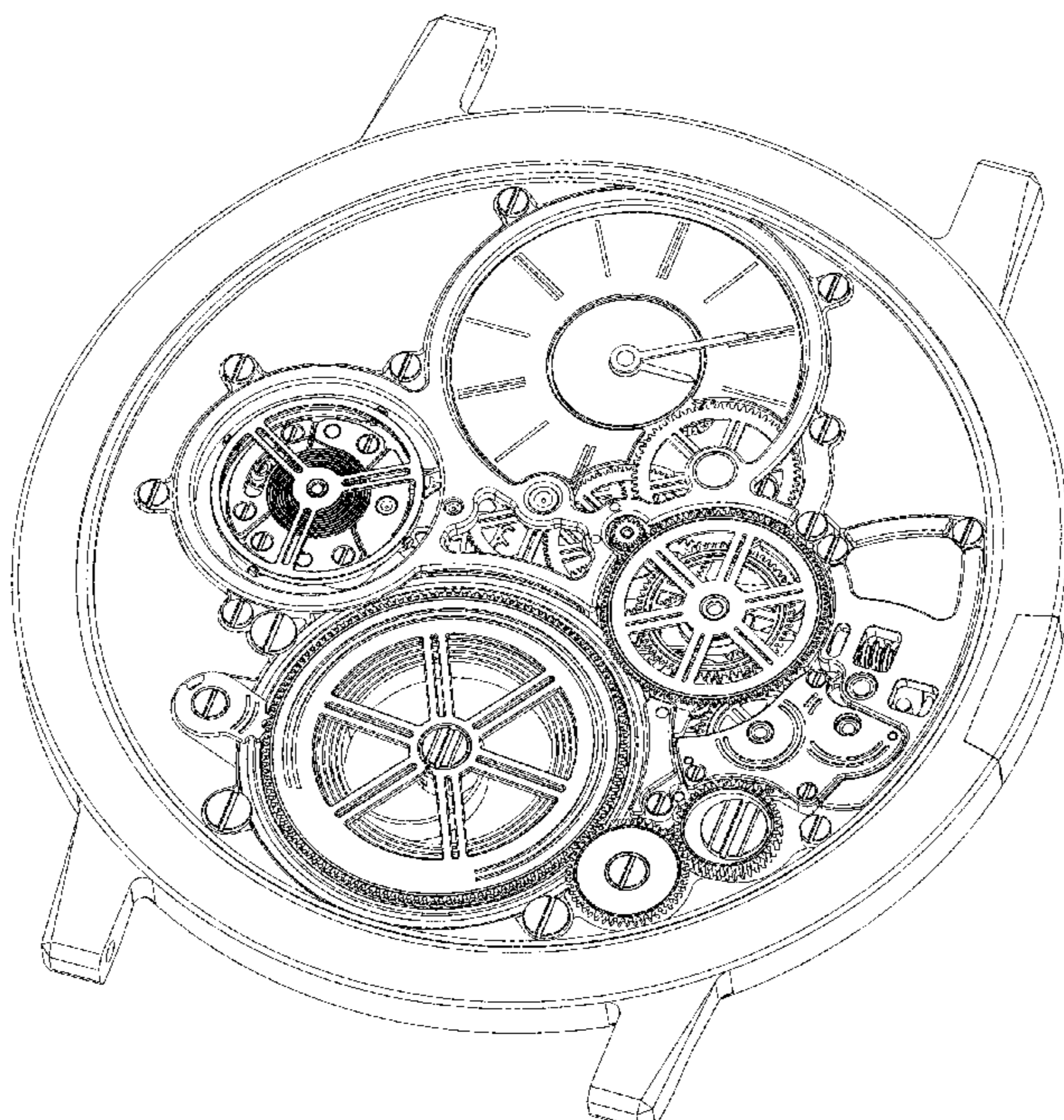




Fig. 1

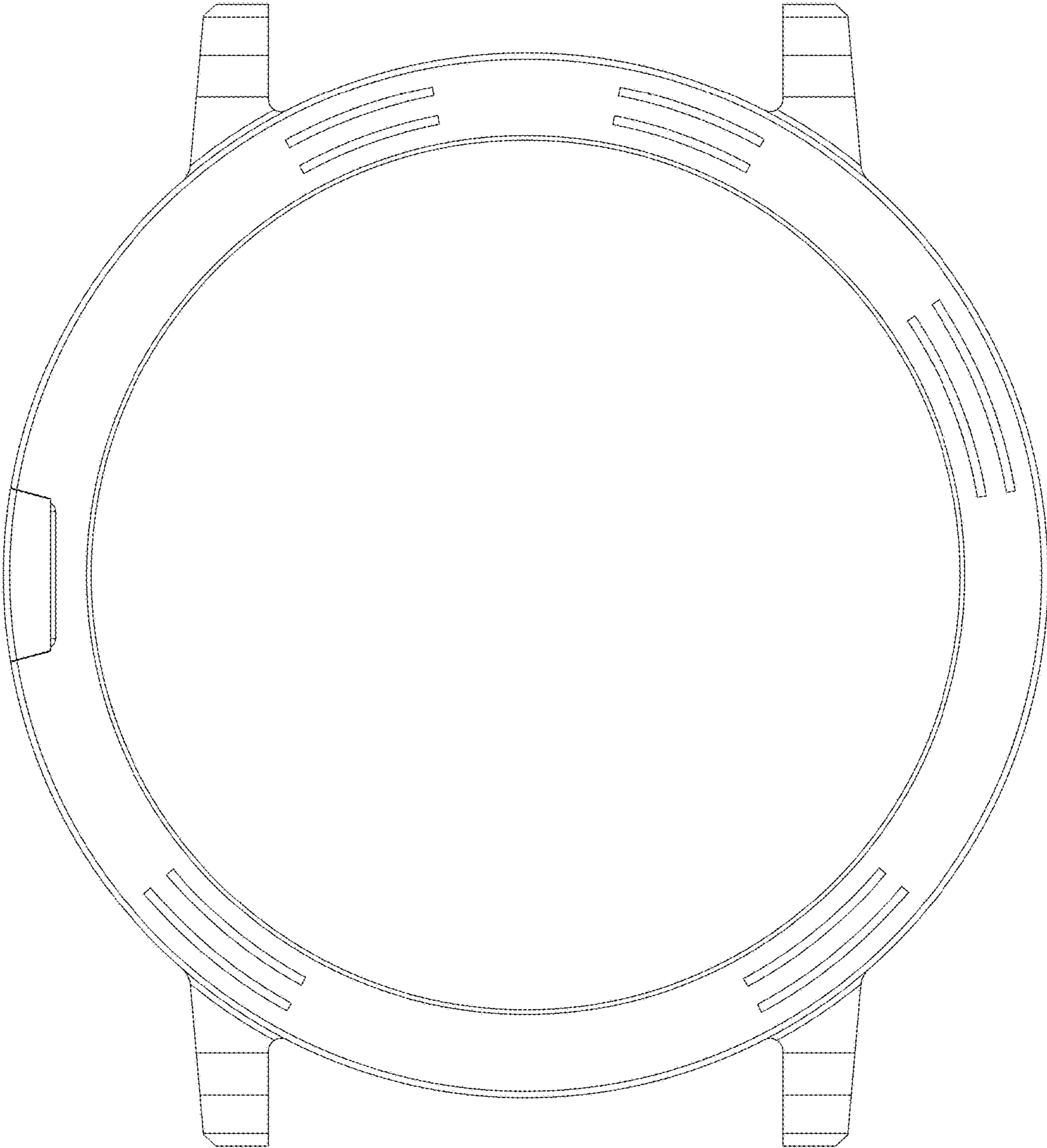


Fig. 2



Fig. 3



Fig. 4



Fig. 5



Fig. 6

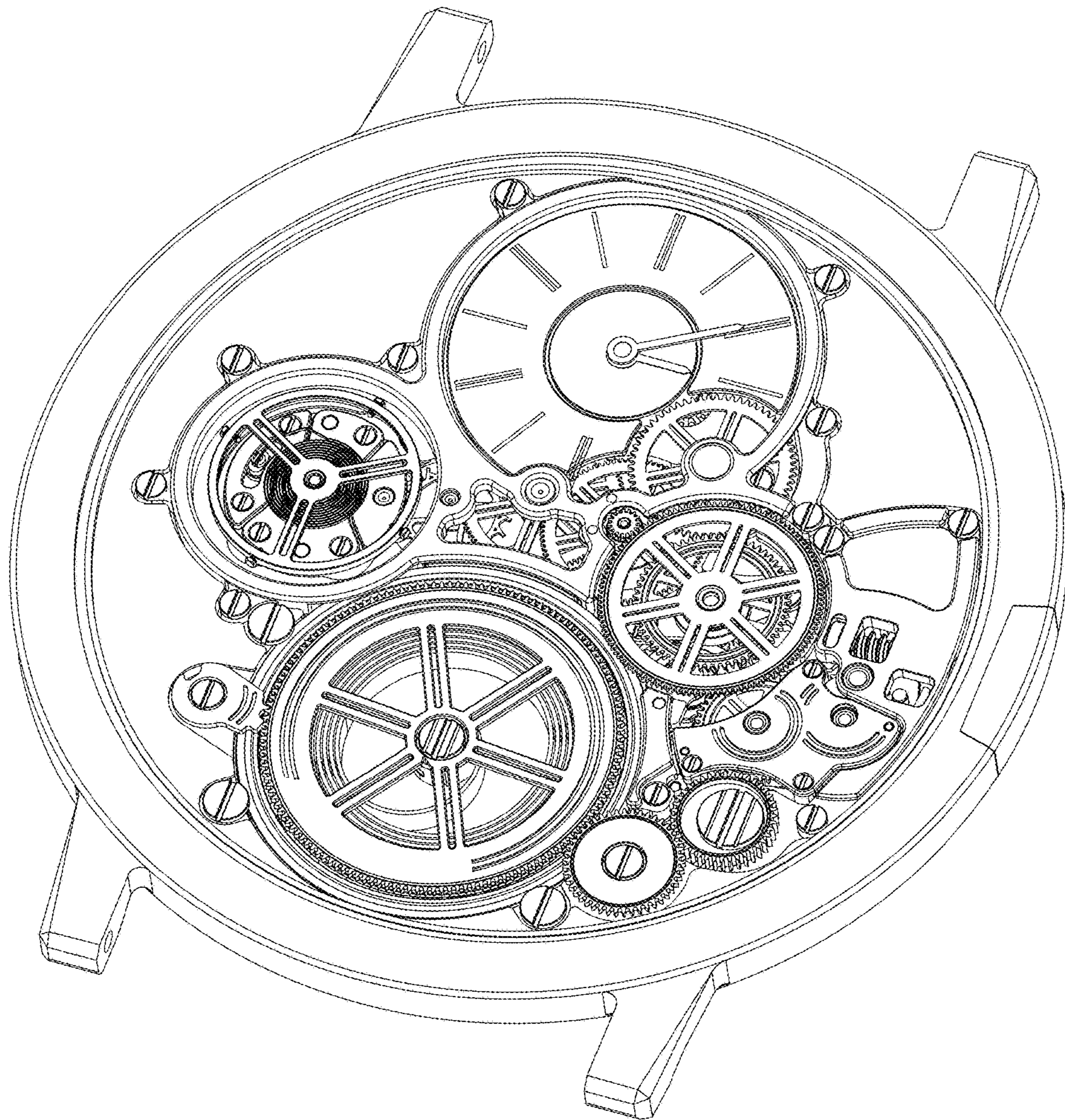


Fig. 7



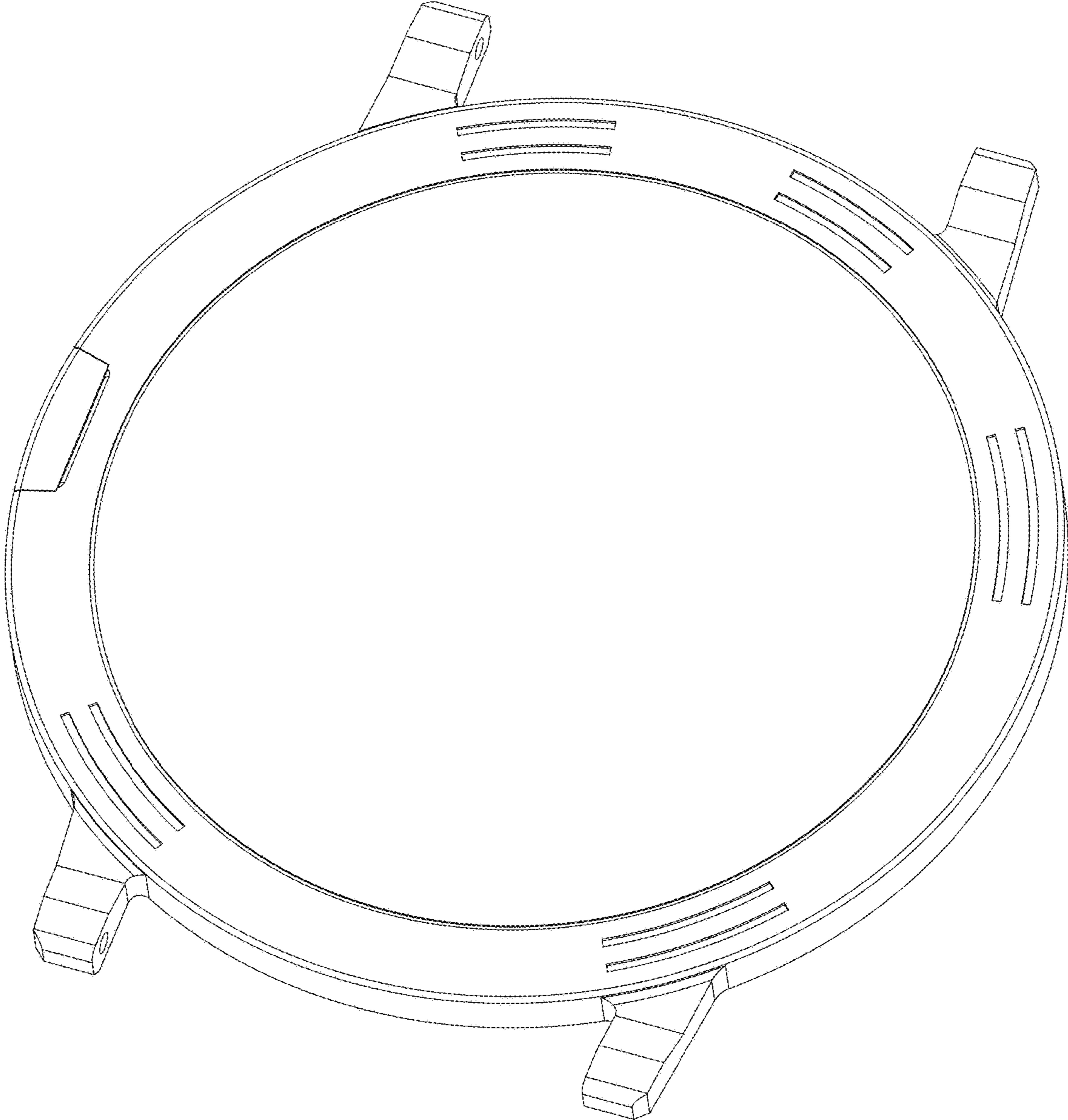


Fig. 8