



US00D847001S

(12) **United States Design Patent** (10) **Patent No.:** **US D847,001 S**  
**Franco et al.** (45) **Date of Patent:** **\*\* Apr. 30, 2019**

(54) **CAN END**

(71) Applicant: **Crown Packaging Technology, Inc.**,  
Alsip, IL (US)

(72) Inventors: **Anthony Charles Franco**, Worth, IL  
(US); **Thomas Alexander Groves**,  
Buckinghamshire (GB)

(73) Assignee: **Crown Packaging Technology, Inc.**,  
Alsip, IL (US)

(\*\*) Term: **15 Years**

(21) Appl. No.: **29/569,601**

(22) Filed: **Jun. 29, 2016**

(51) **LOC (11) Cl.** ..... **09-01**

(52) **U.S. Cl.**  
USPC ..... **D9/772**

(58) **Field of Classification Search**  
USPC ..... D9/447, 502, 766, 767, 772, 777, 778  
CPC ... B65D 1/00; B65D 1/02; B65D 1/12; B65D  
1/14; B65D 1/40; B65D 1/44; B65D  
1/023; B65D 1/0223; B65D 1/165; B65D  
1/238; B65D 1/246; B65D 1/253; B65D  
7/04; B65D 21/0209; B65D 21/0233;  
B65D 25/00; B65D 25/28; B65D  
41/0457; B65D 41/17; B65D 53/06;  
B65D 75/56; B65D 79/005; B65D  
2501/0036; B65D 2543/00064; B65D  
2543/00074; B65D 2543/00083; B65D  
2543/00092; B65D 2543/00101; B65D  
2543/00111

See application file for complete search history.

(56) **References Cited**

U.S. PATENT DOCUMENTS

D570,228 S *	6/2008	van Dam	.....	D9/772
D623,963 S *	9/2010	Fairchild, Jr.	.....	D9/772
D632,589 S *	2/2011	George	.....	D9/772
D671,843 S *	12/2012	Plosky	.....	D9/773
D698,668 S *	2/2014	Vaughn	.....	D9/772
D706,032 S *	6/2014	Roth	.....	D3/271.1
D713,268 S *	9/2014	Jones	.....	D9/772
D732,402 S *	6/2015	Jones	.....	D9/772
D770,895 S *	11/2016	Brown	.....	D7/900
D775,965 S *	1/2017	Wang	.....	D9/616
D820,678 S *	6/2018	Chapman	.....	D9/447
2008/0295558 A1 *	12/2008	Reimer	.....	B21D 51/26 72/94
2012/0031871 A1 *	2/2012	Molinaro	.....	B65D 1/023 215/44

\* cited by examiner

*Primary Examiner* — Michael A. Pratt

(74) *Attorney, Agent, or Firm* — BakerHostetler

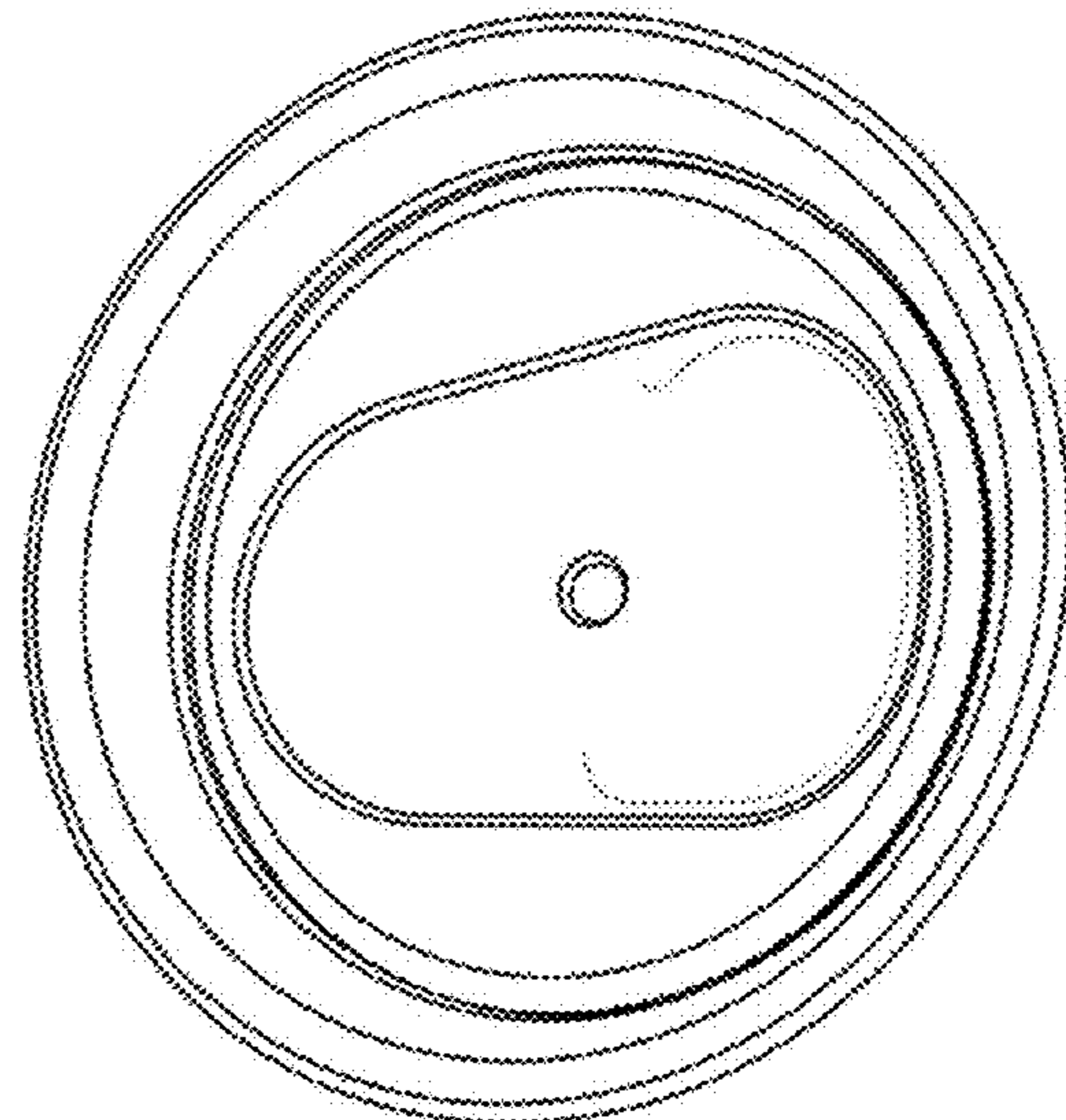
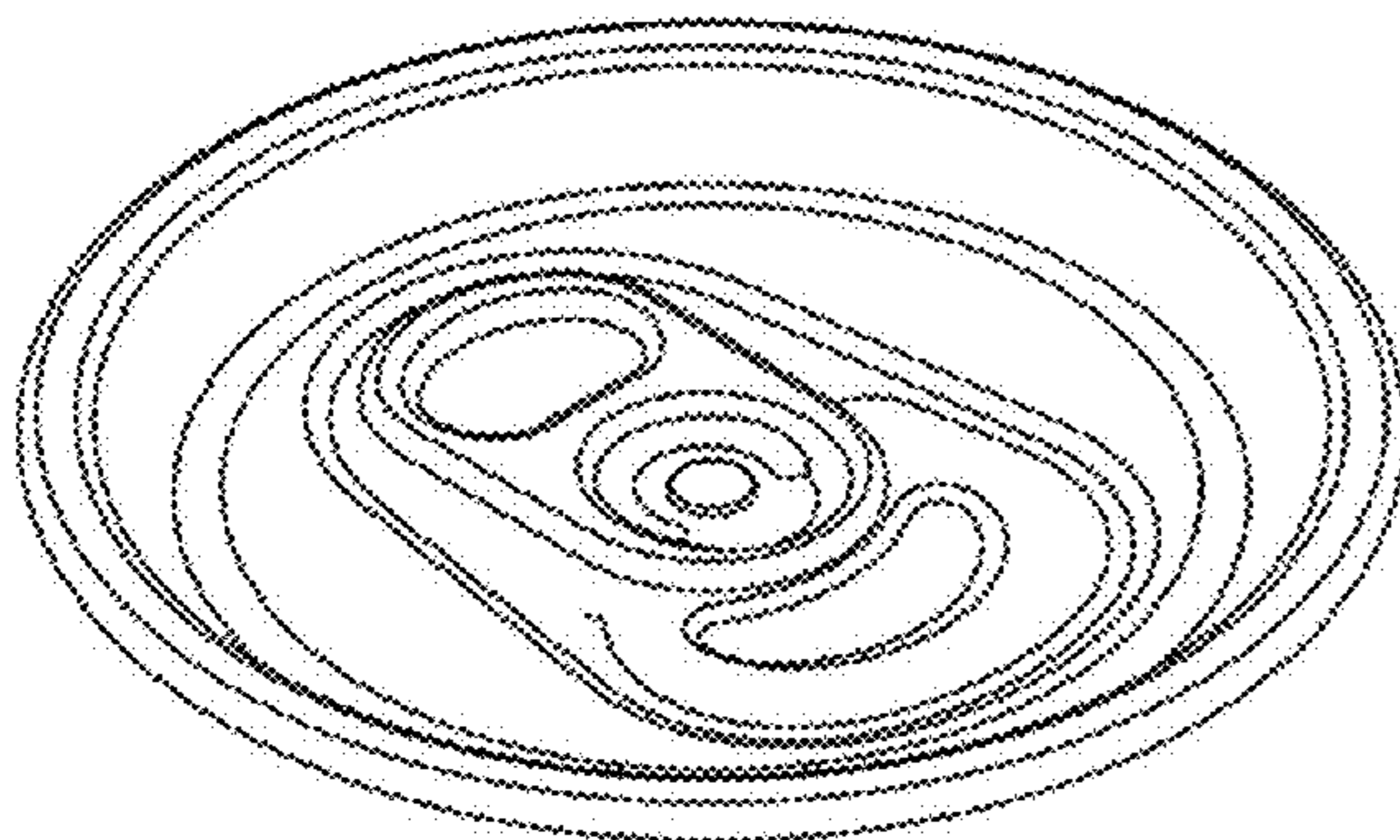
(57) **CLAIM**

The ornamental design for a can end, as shown and described.

**DESCRIPTION**

FIG. 1 is a top view of a can end attached to a can body according to our new design;  
FIG. 2 is a top perspective view of a can end unattached to a can body according to our new design;  
FIG. 3 a front elevation view thereof, the front elevation view being identical to the rear, left side, and right side elevation views  
FIG. 4 is a top view thereof;  
FIG. 5 is a bottom view thereof; and,  
FIG. 6 is a bottom perspective view thereof.

**1 Claim, 3 Drawing Sheets**



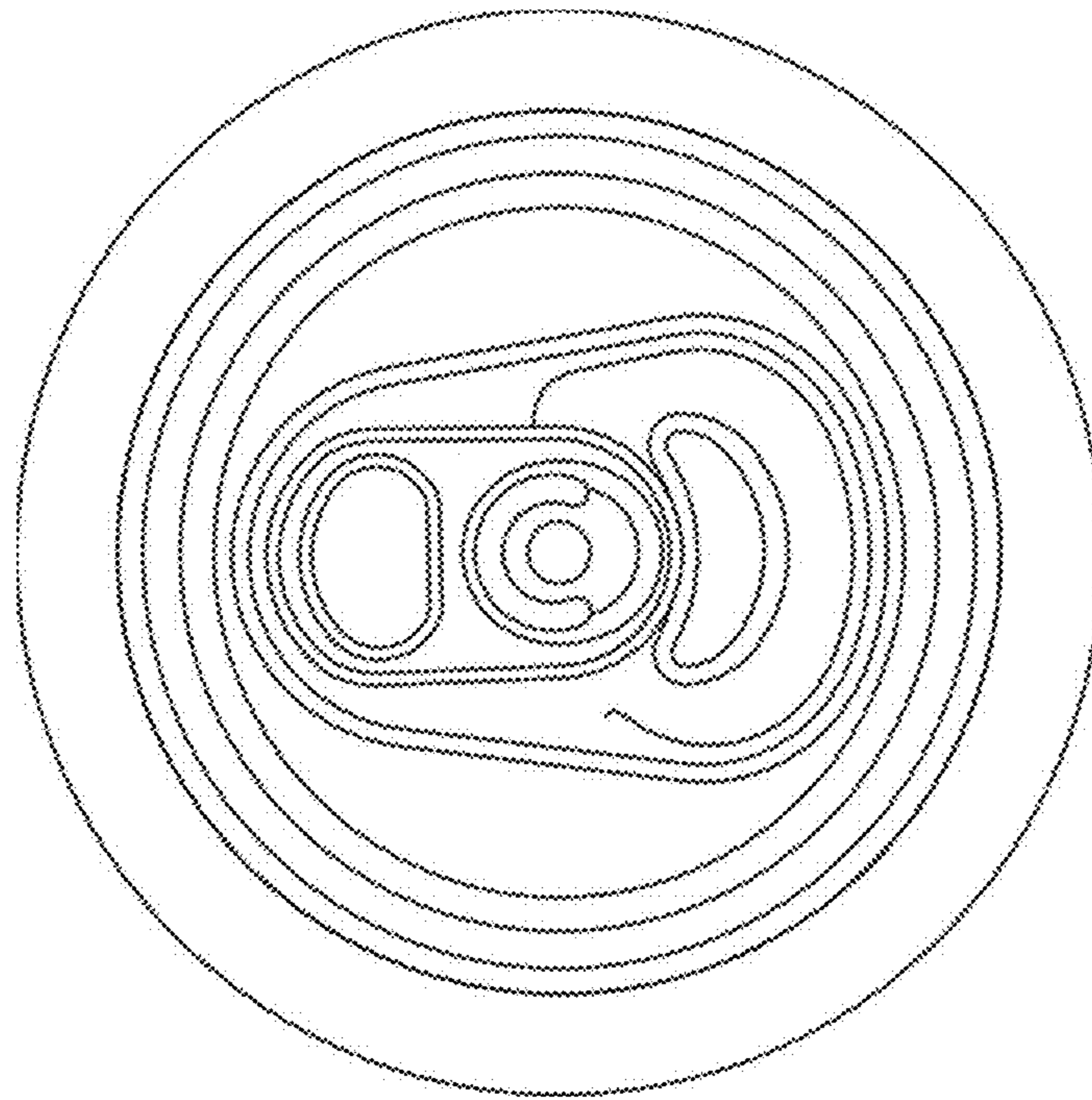


Fig. 1

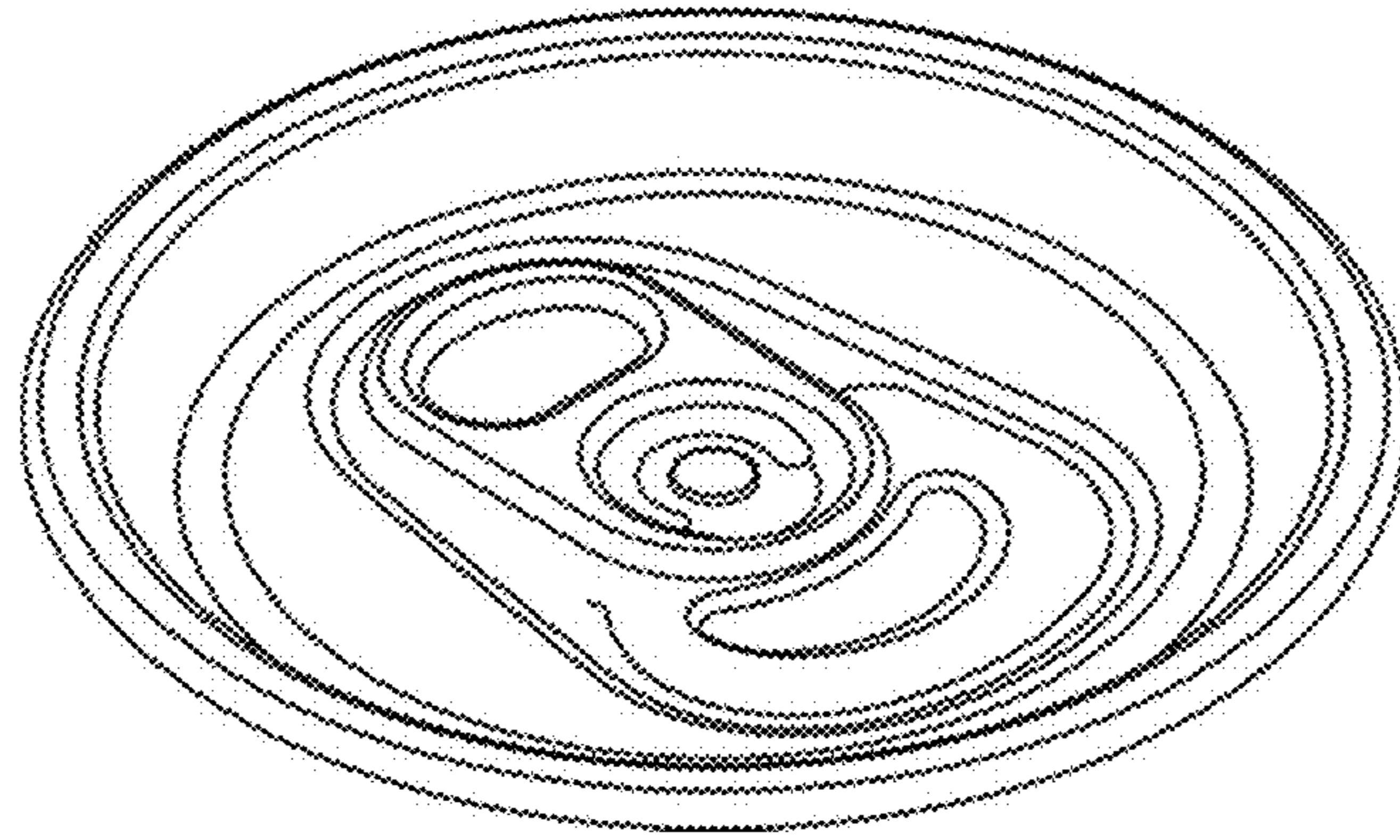


Fig. 2

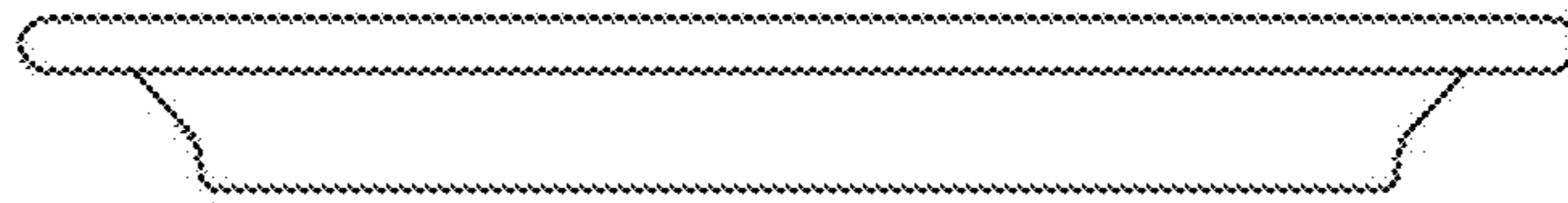


Fig. 3

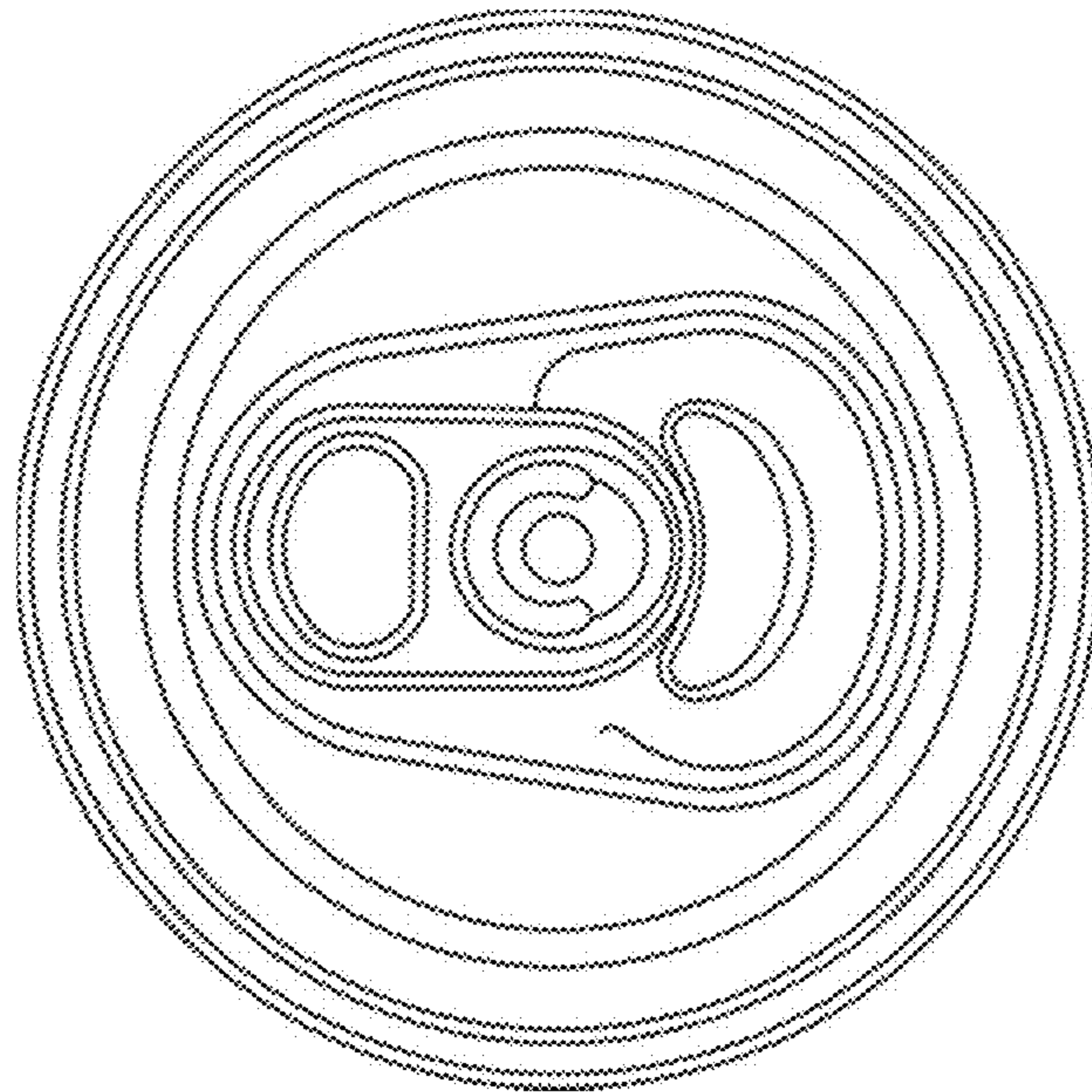


Fig. 4

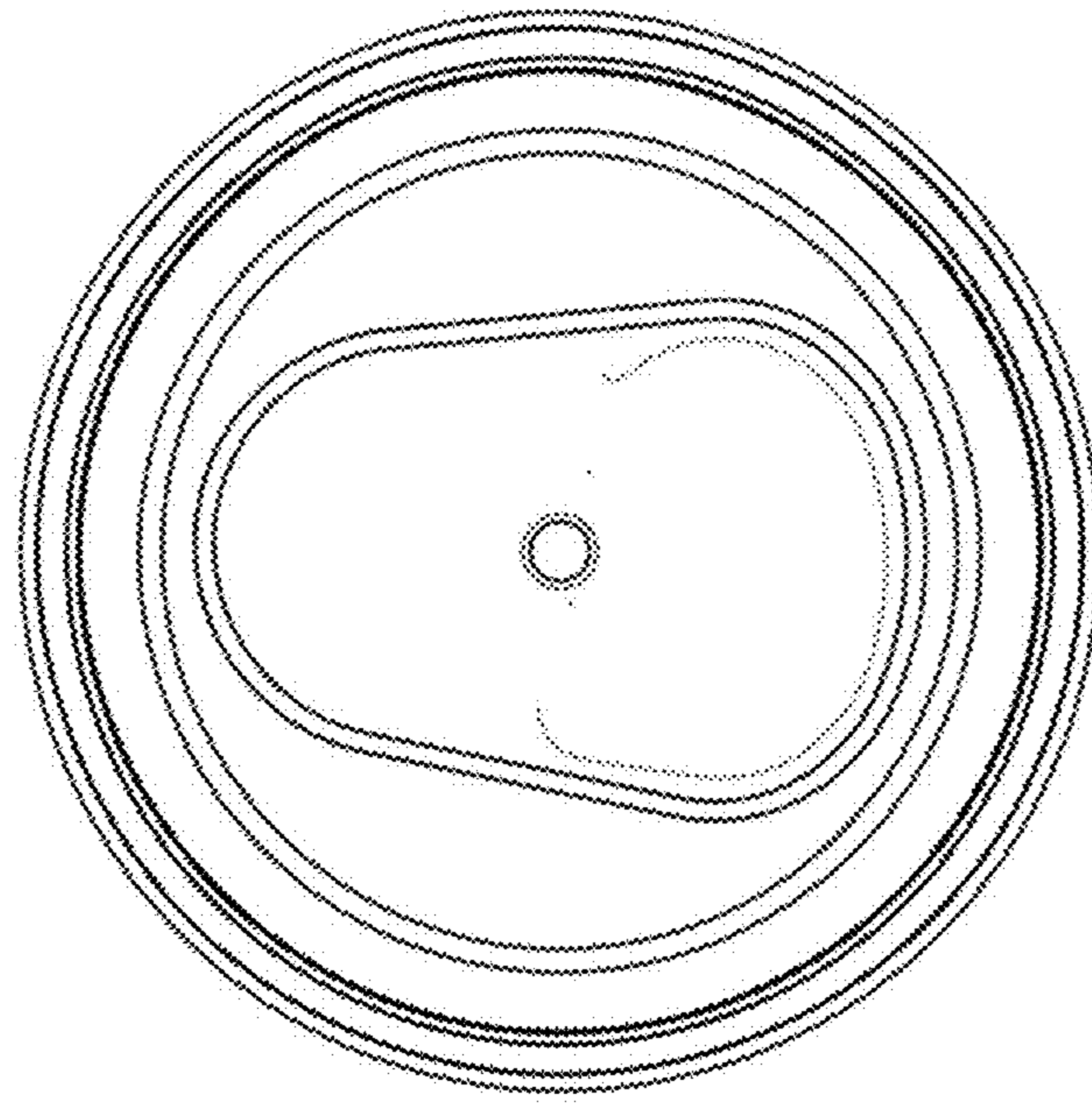


Fig. 5

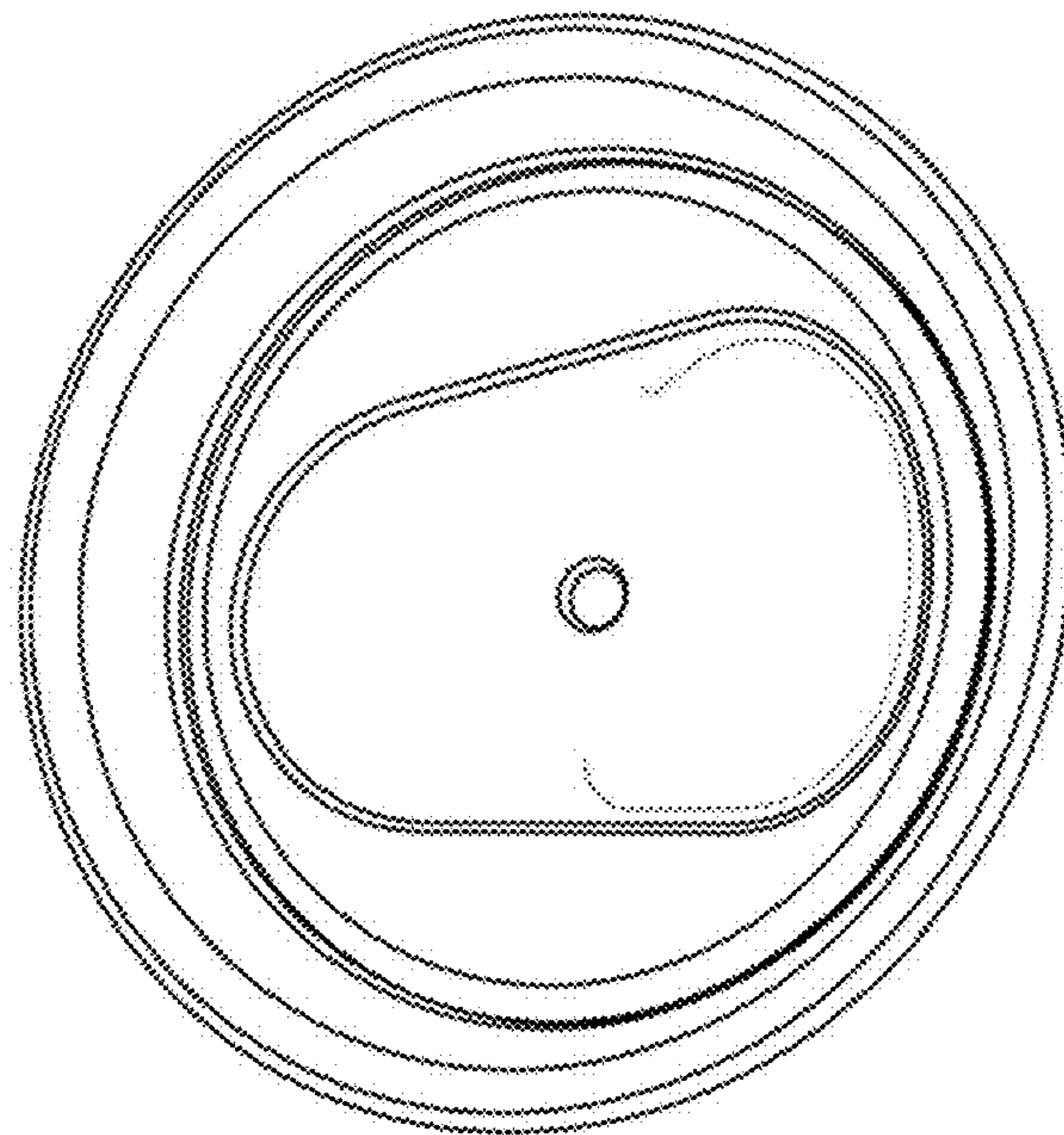


Fig. 6