



US00D846997S

(12) **United States Design Patent** (10) **Patent No.:** **US D846,997 S**  
**Silva** (45) **Date of Patent:** **\*\* Apr. 30, 2019**

(54) **FOUNDATION PUMP**

(71) Applicant: **Rea.deeming Beauty, Inc.**, Bethlehem, PA (US)

(72) Inventor: **Rea Ann Silva**, Bethlehem, PA (US)

(73) Assignee: **REA.DEEMING BEAUTY, INC.**, Bethlehem, PA (US)

(\*\*) Term: **15 Years**

(21) Appl. No.: **29/642,583**

(22) Filed: **Mar. 30, 2018**

(51) **LOC (11) Cl.** ..... **09-01**

(52) **U.S. Cl.**  
USPC ..... **D9/687**

(58) **Field of Classification Search**

USPC ..... D9/682-694, 715, 719, 738-742, 516,  
D9/517, 529, 544, 560, 563-575,  
D9/434-436, 448, 721, 730-736, 414,  
D9/417, 418, 432; D28/76, 77, 83, 91.1  
CPC ..... B65D 1/00; B65D 1/0223; B65D 1/0261;  
B65D 1/04; B65D 1/06; B65D 1/40;  
B65D 2501/0081; B65D 81/32; B65D  
81/325; B65D 81/3255; B65D 83/68;  
B65D 83/14; B65D 83/16; B65D 83/20;  
B65D 83/38; B65D 83/75; B65D 83/752;  
B65D 83/753; B65D 83/30; B65D  
83/303; B05B 11/00-11/3098; A45D  
34/00; A45D 34/02; A45D 34/04; A45D  
34/041; A45D 34/042; A45D 34/045;  
A45D 34/046; A45D 34/047; A45D  
34/048; A45D 34/06; A45D 2034/002;  
A45D 2034/005; A45D 2034/007; A45D  
40/00; A45D 40/24; A45D 40/26; A45D  
40/262; A45D 40/265; A45D 2040/0006;  
A45D 2040/0012; A45D  
2200/05-2200/058

See application file for complete search history.

(56) **References Cited**

U.S. PATENT DOCUMENTS

724,999 A \* 4/1903 Hayes ..... B65D 1/0223  
215/228  
2,299,277 A \* 10/1942 Neuschaefer ..... A45D 34/00  
206/457  
3,366,284 A \* 1/1968 Marona ..... G01F 11/082  
222/211  
D215,817 S \* 11/1969 Gorman ..... D9/687  
(Continued)

FOREIGN PATENT DOCUMENTS

DE 202014004505 U1 \* 7/2014 ..... F41H 9/10  
FR 2845576 A1 \* 4/2004 ..... A45D 34/02  
(Continued)

*Primary Examiner* — Catherine A Tuttle

(74) *Attorney, Agent, or Firm* — Brooks Acordia IP Law, PC; Pejman Yedidsion

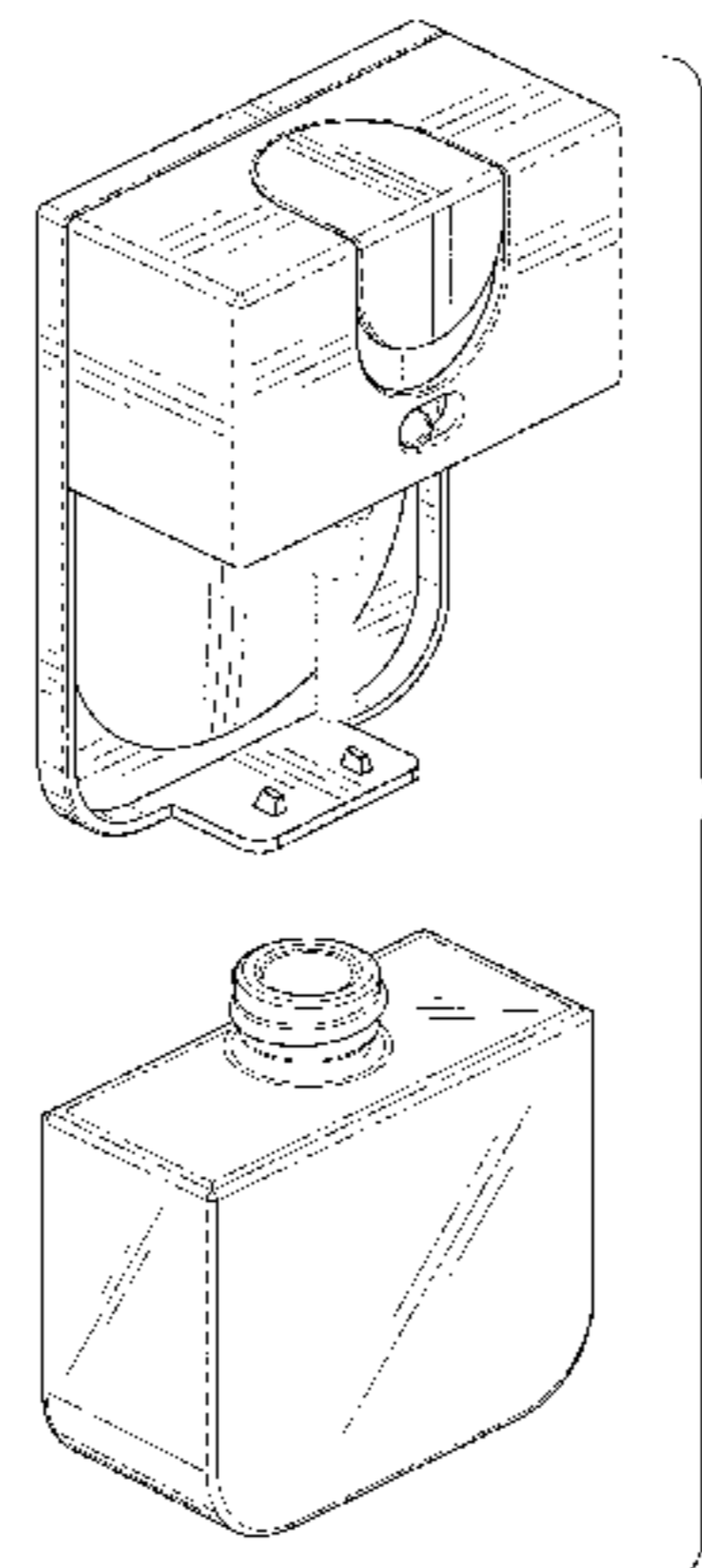
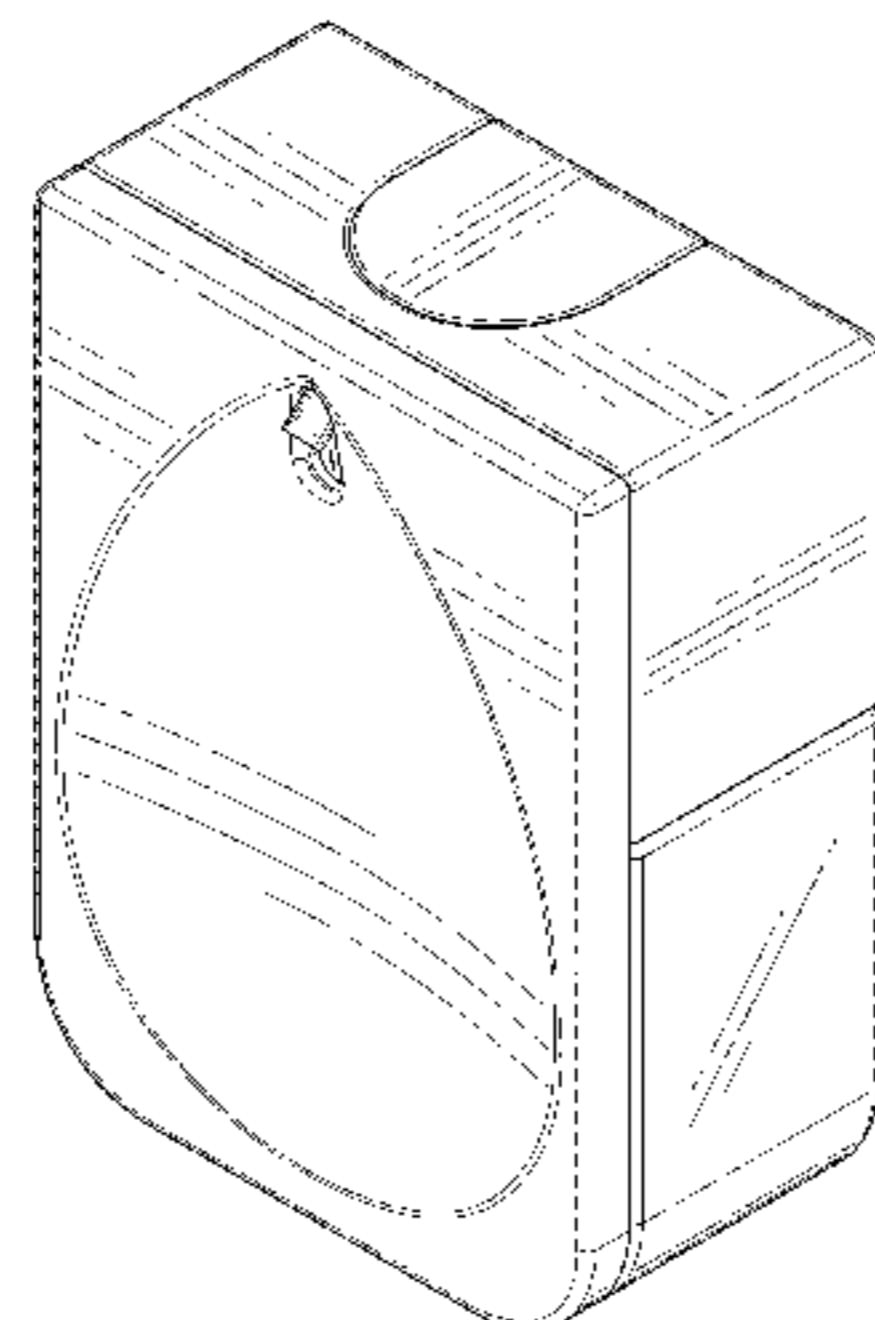
(57) **CLAIM**

The ornamental design for a foundation pump, as shown and described.

**DESCRIPTION**

FIG. 1 is a top, front and right perspective view of the foundation pump showing my new design;  
FIG. 2 is an exploded rear, bottom and left perspective view thereof;  
FIG. 3 is an exploded top, front and left perspective view thereof;  
FIG. 4 is a rear elevational view thereof;  
FIG. 5 is a front elevational view thereof;  
FIG. 6 is a left side elevational view thereof;  
FIG. 7 is a right side elevational view thereof;  
FIG. 8 is top plan view thereof; and,  
FIG. 9 is a bottom plan view thereof.

(Continued)



The pump actuator is shown in broken lines in FIGS. 2-3 for illustrative purposes only and forms no part of the claimed design.

**1 Claim, 9 Drawing Sheets**

(56)

**References Cited**

U.S. PATENT DOCUMENTS

D271,245 S \* 11/1983 Martinez ..... D28/5  
 D283,795 S \* 5/1986 Demourgues ..... D9/573  
 4,662,541 A \* 5/1987 Fossati ..... A45D 34/02  
 5,429,301 A \* 7/1995 Franks ..... B65D 83/384  
 222/135  
 222/145.1  
 D394,368 S \* 5/1998 Mekler ..... D7/605  
 6,230,889 B1 \* 5/2001 Chen ..... B65D 83/384  
 206/1.5  
 6,305,580 B1 \* 10/2001 Chen ..... B05B 11/3056  
 222/162  
 D466,403 S \* 12/2002 Haas ..... D9/687  
 D467,162 S \* 12/2002 Viellard ..... D9/560  
 D472,802 S \* 4/2003 Barnes ..... D9/430  
 D477,999 S \* 8/2003 Lloyd ..... D9/414  
 D491,456 S \* 6/2004 Cagle ..... D9/687

D510,868 S \* 10/2005 Rae ..... B65D 21/0202  
 D9/522  
 D593,420 S \* 6/2009 Augenbraun ..... D9/529  
 D603,716 S \* 11/2009 Rica ..... D9/560  
 D610,463 S \* 2/2010 Duchaufour-Lawrance .....  
 D9/600  
 D625,611 S \* 10/2010 Higuchi ..... D9/686  
 D626,007 S \* 10/2010 Mouquet ..... D9/694  
 D656,827 S \* 4/2012 Mandell ..... D9/516  
 D787,946 S \* 5/2017 Bontorno ..... D9/434  
 D806,556 S \* 1/2018 Finch ..... D9/682  
 2009/0126758 A1 \* 5/2009 Chen ..... A45D 33/22  
 132/295  
 2010/0275948 A1 \* 11/2010 Parker ..... A45D 34/04  
 132/293

FOREIGN PATENT DOCUMENTS

FR 2902088 A1 \* 12/2007 ..... A45D 34/02  
 FR 2922419 A1 \* 4/2009 ..... A45D 34/02  
 FR 2926191 A3 \* 7/2009 ..... A45D 33/20  
 WO WO-02052977 A2 \* 7/2002 ..... A45D 34/02  
 WO WO-02092462 A1 \* 11/2002 ..... B65D 77/06  
 WO WO-2009077013 A1 \* 6/2009 ..... A45D 34/04  
 WO WO-2010067004 A1 \* 6/2010 ..... A45D 33/32  
 WO WO-2010131822 A1 \* 11/2010 ..... A45D 34/00  
 WO WO-2012164470 A1 \* 12/2012 ..... A47L 25/00

\* cited by examiner

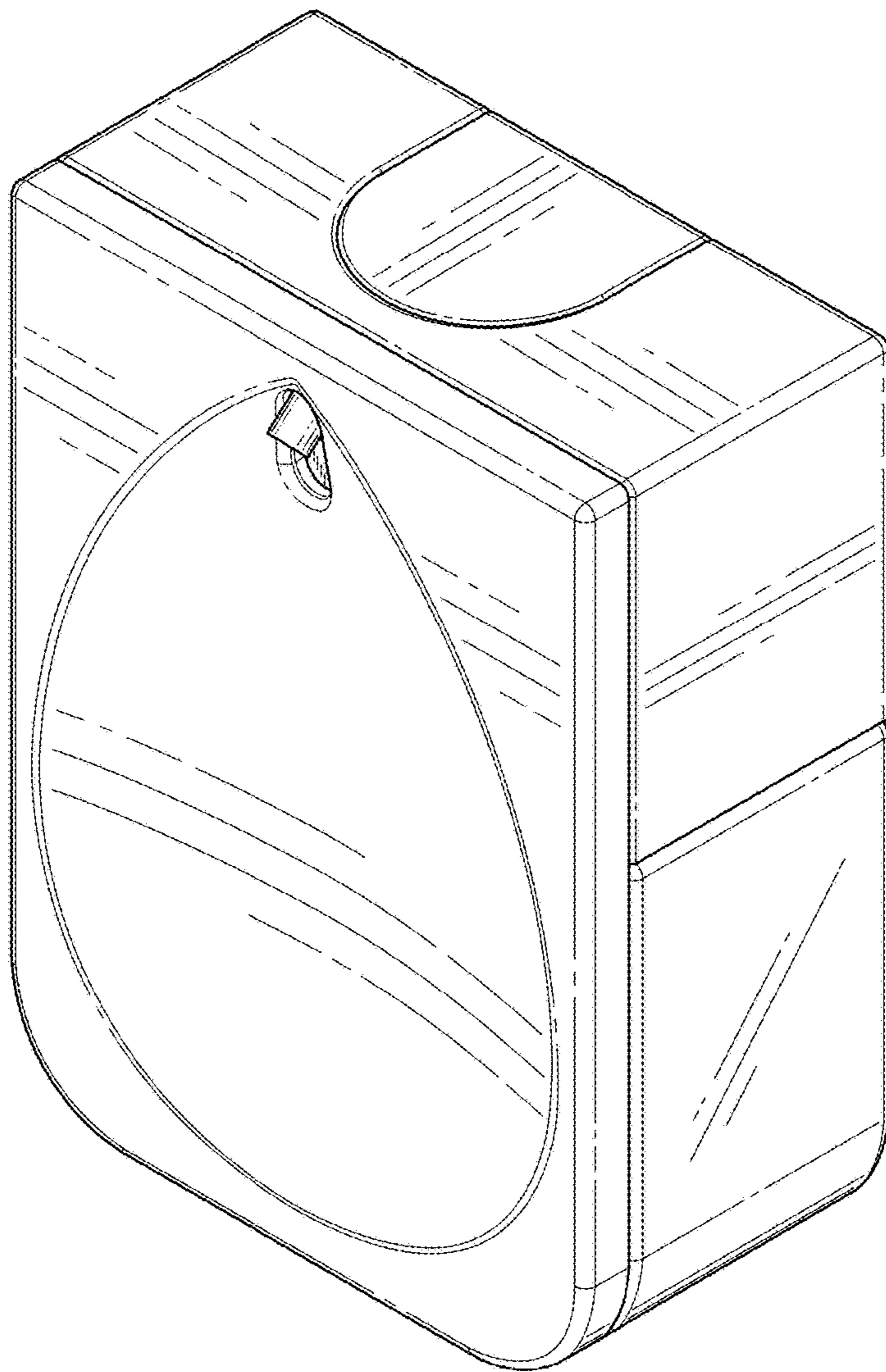


FIG. 1

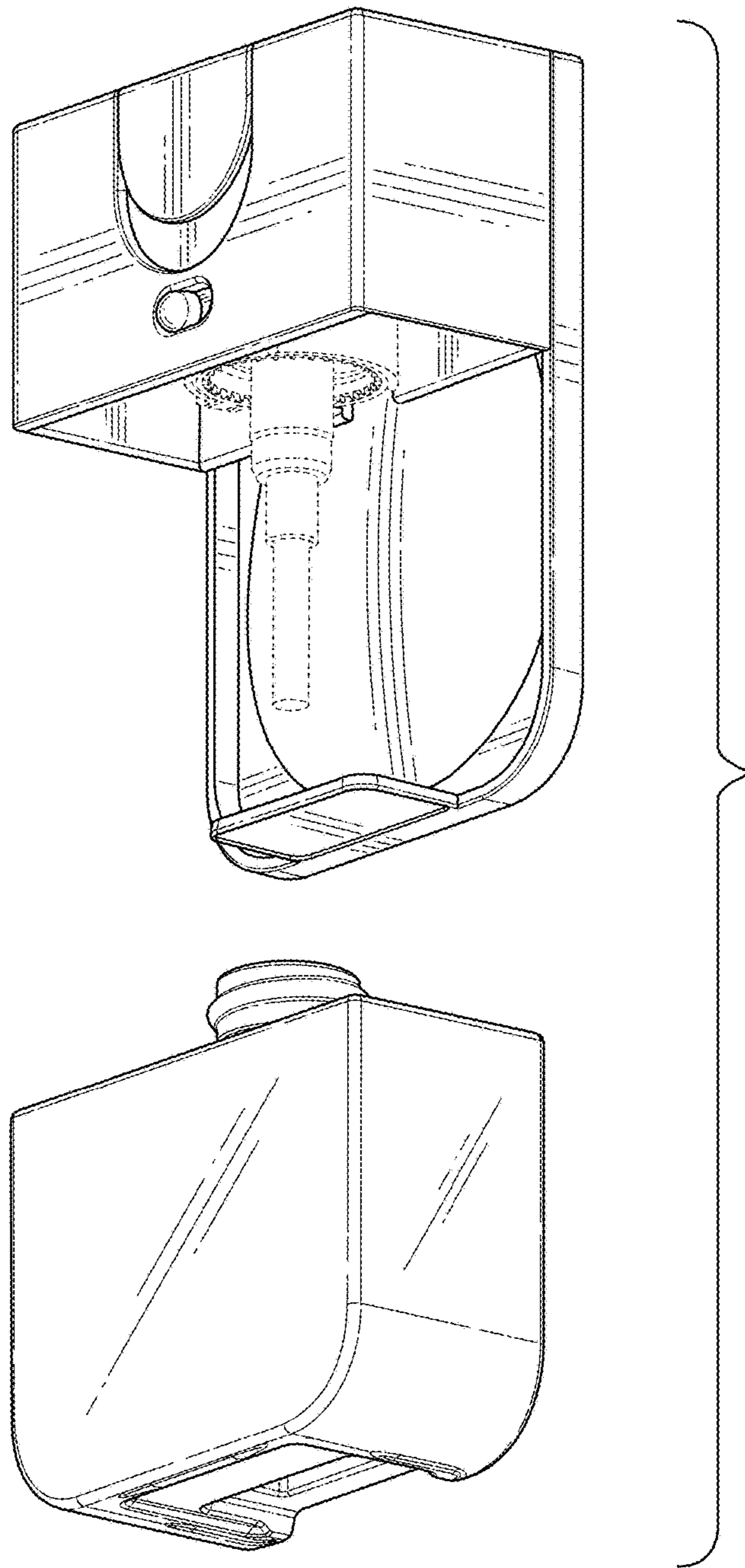


FIG. 2

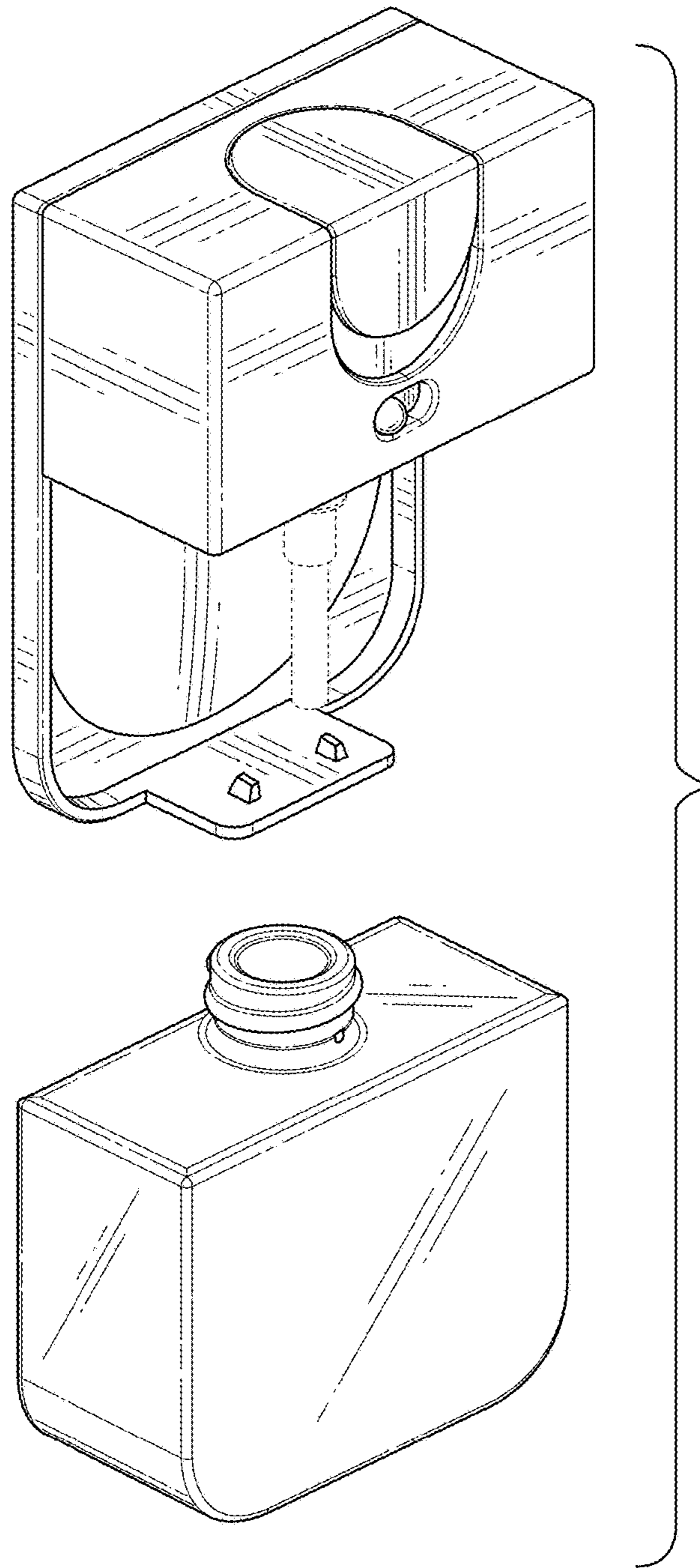


FIG. 3

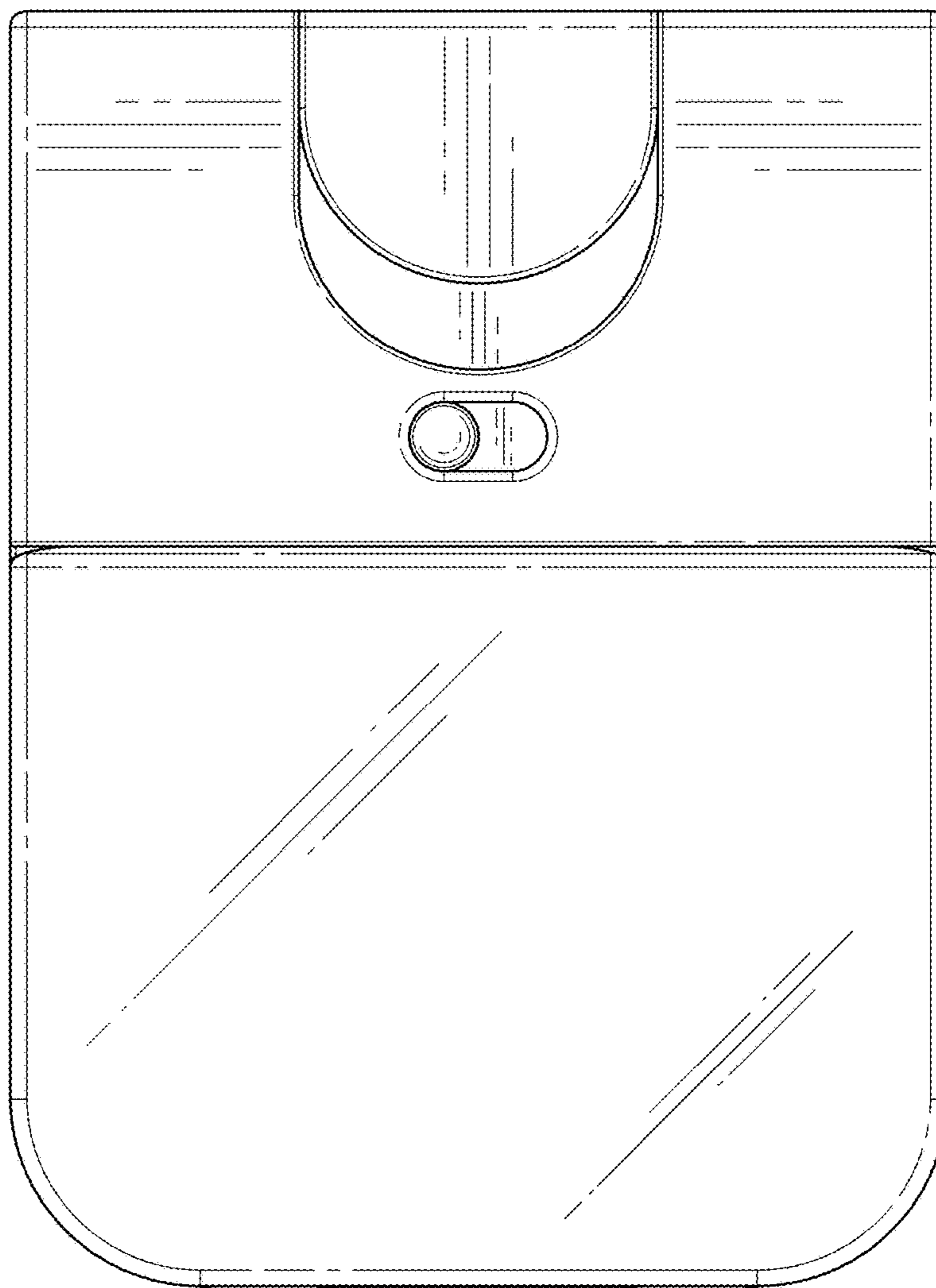


FIG. 4

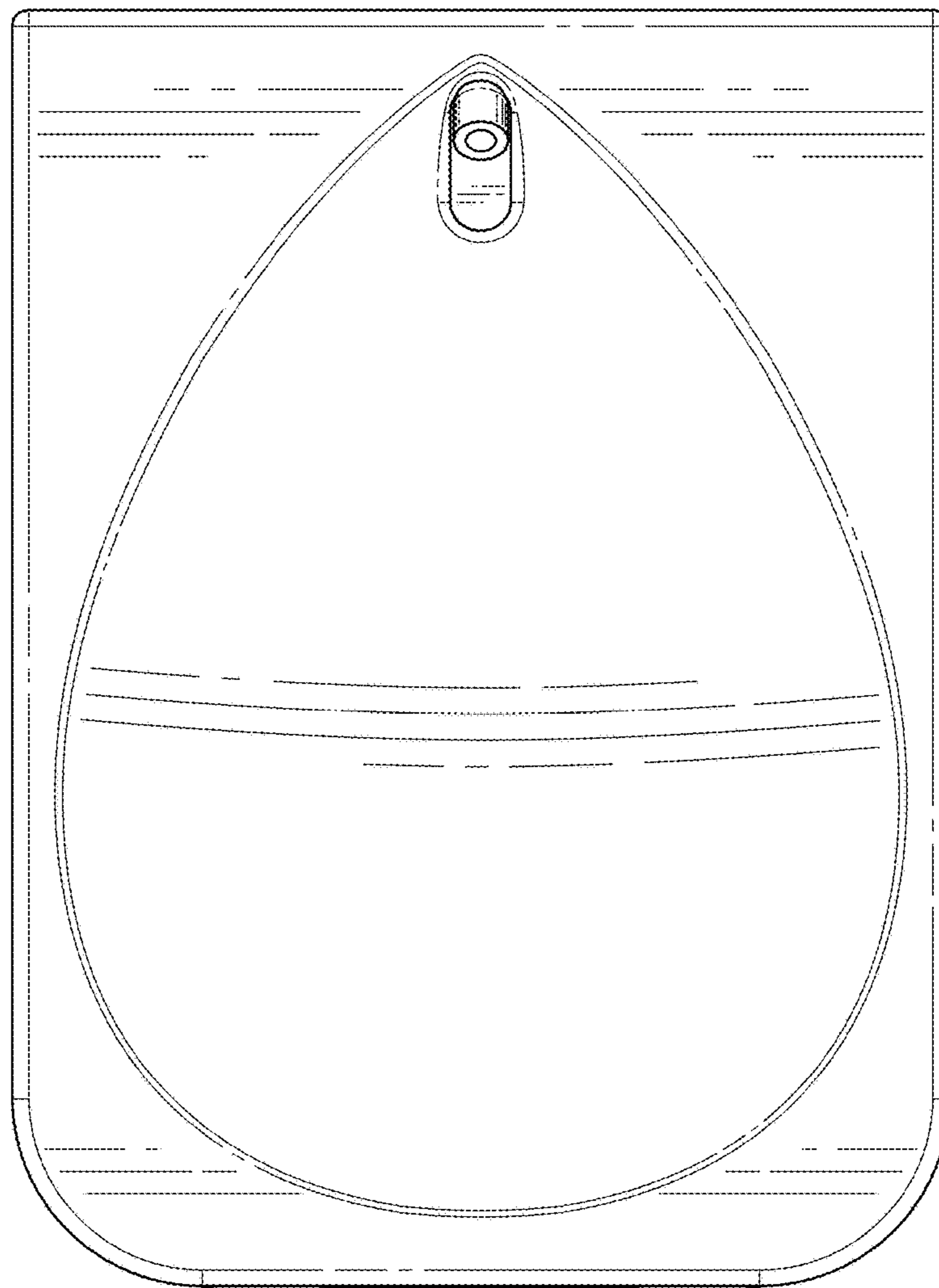


FIG. 5

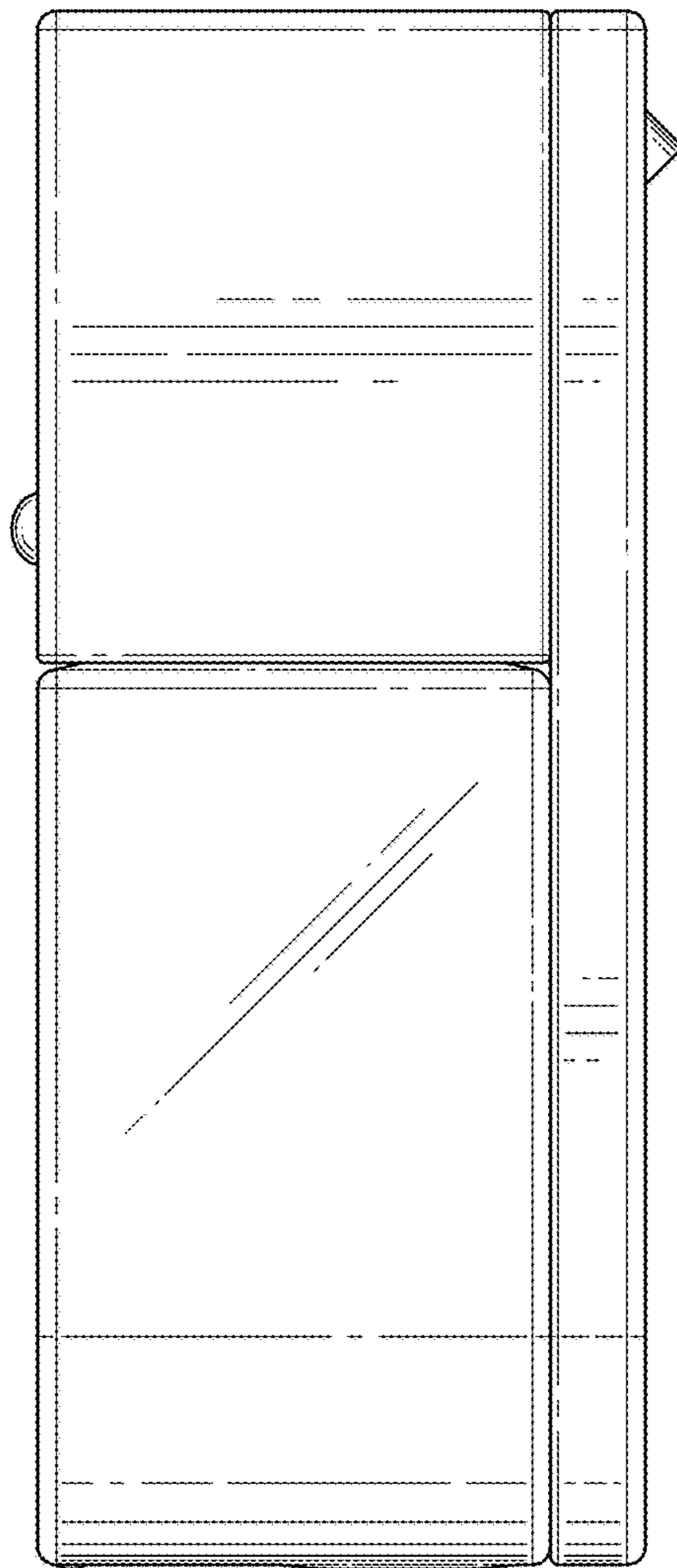


FIG. 6



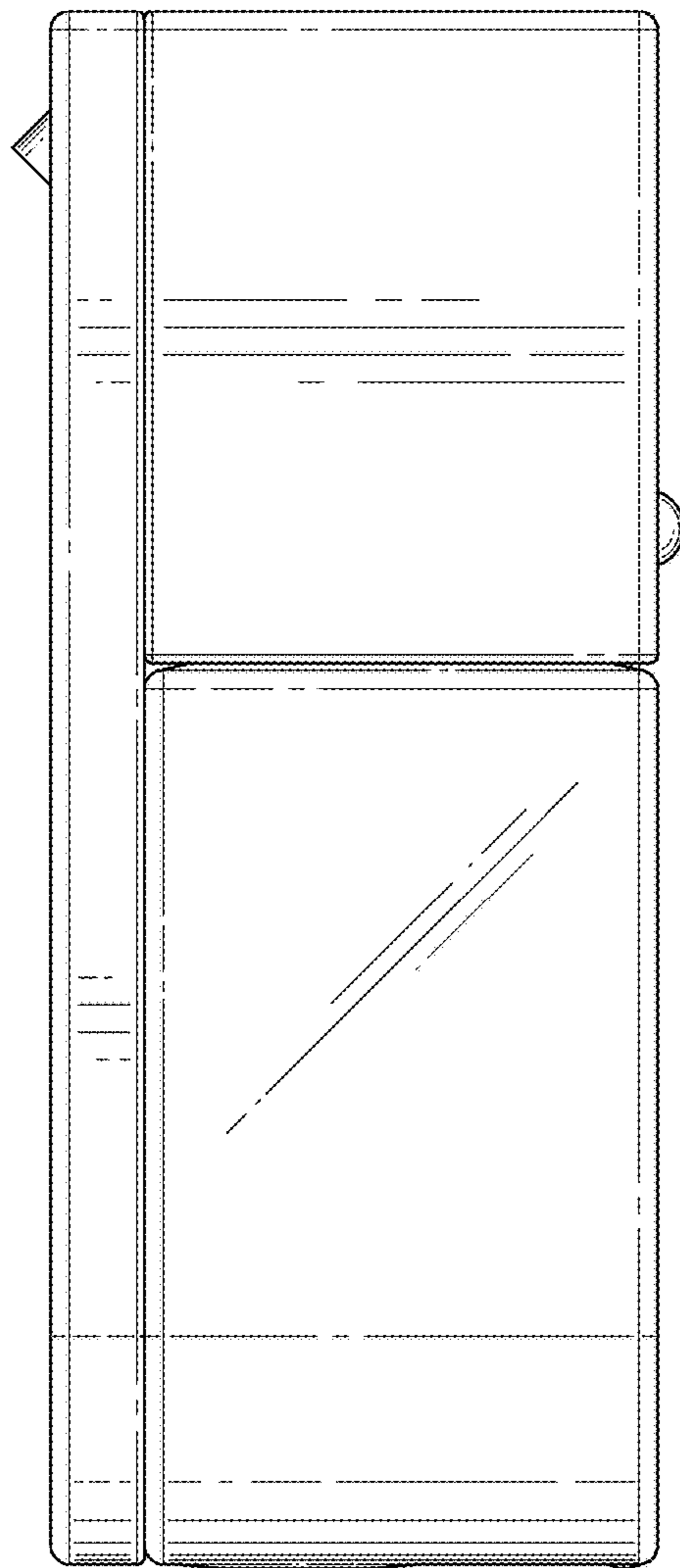


FIG. 7

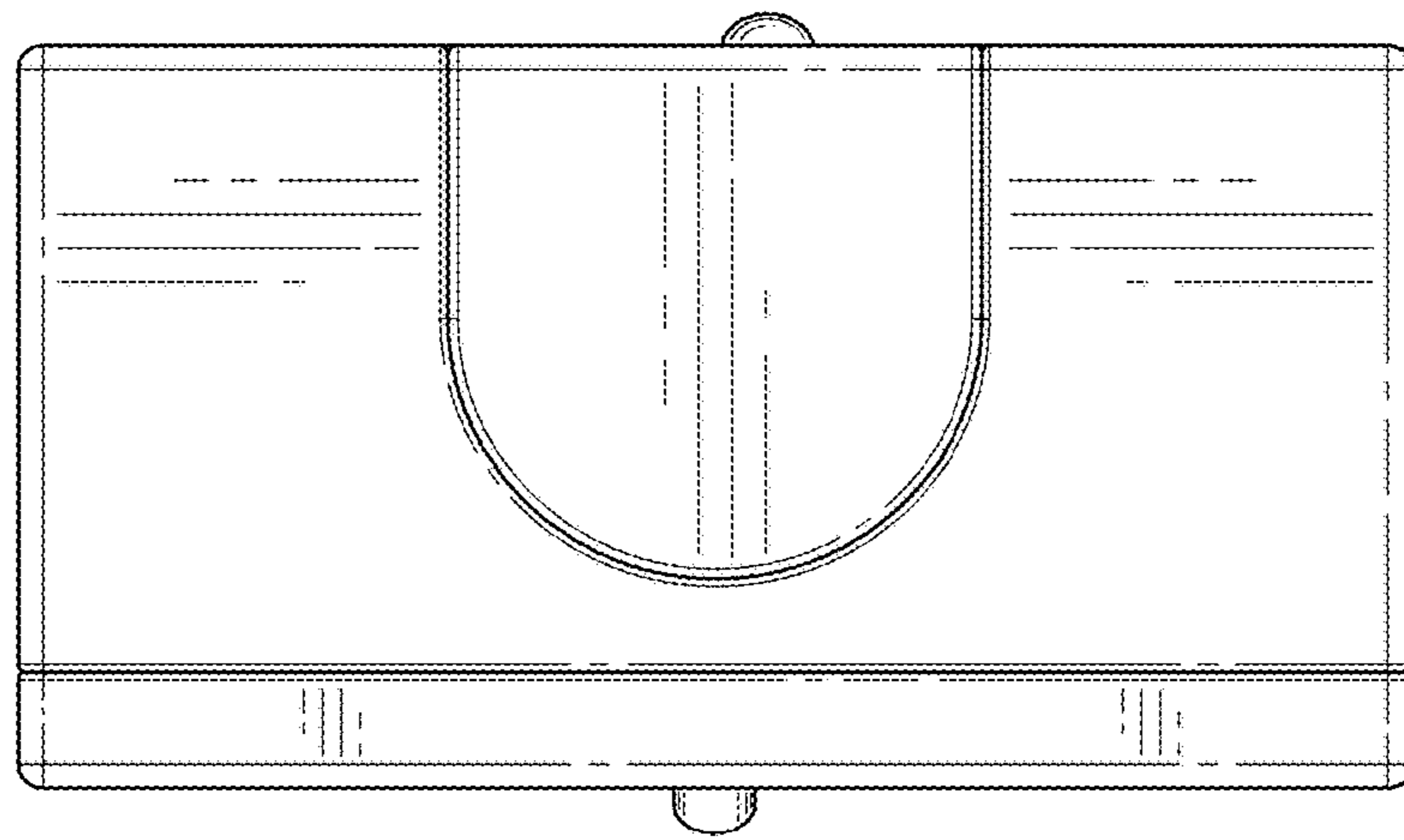


FIG. 8

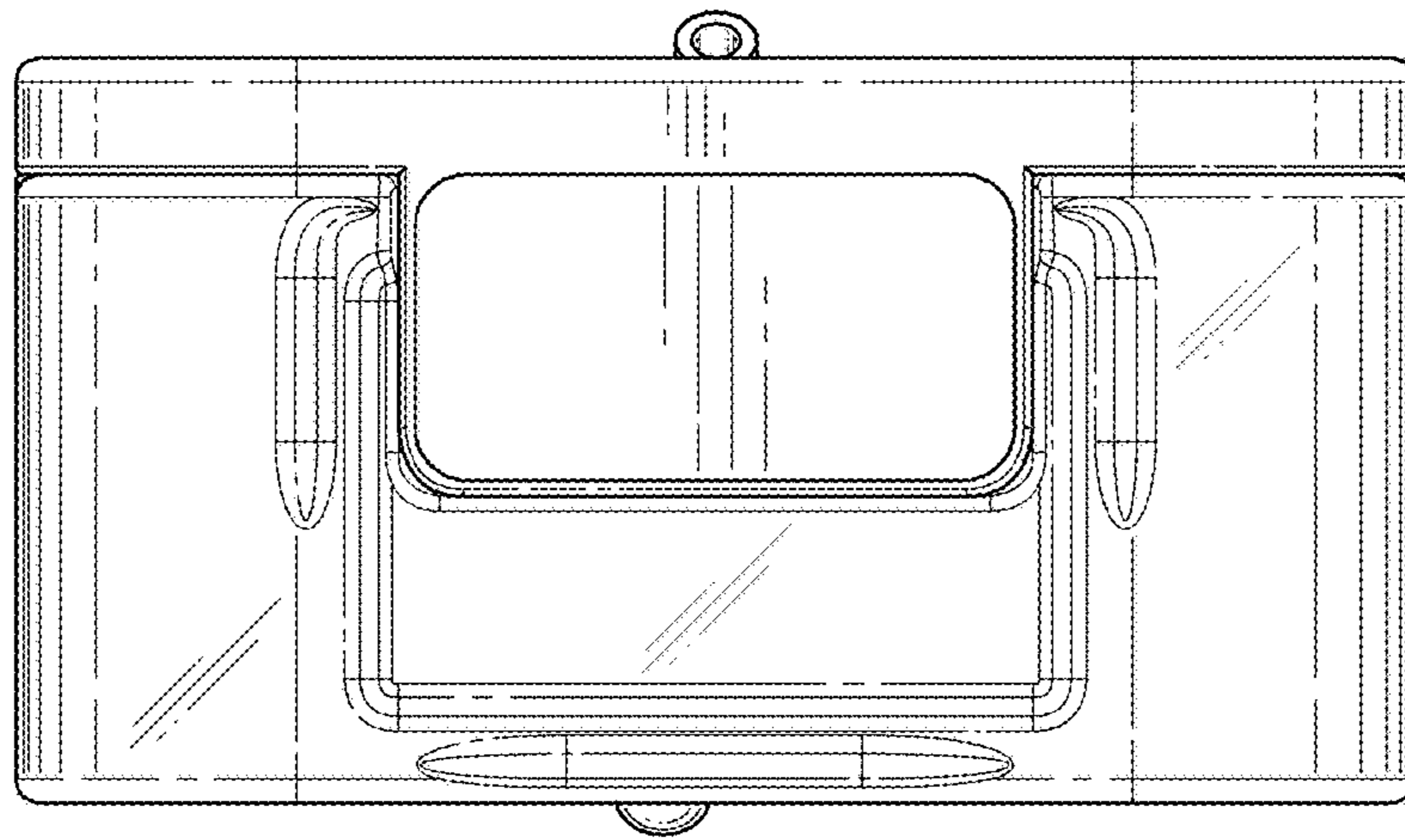


FIG. 9