



US00D846995S

(12) **United States Design Patent**
El Beaini

(10) **Patent No.:** **US D846,995 S**
(45) **Date of Patent:** **** Apr. 30, 2019**

(54) **DUAL CHAMBERED FLUID DISPENSER**

(71) Applicant: **Samer Najib El Beaini**, Dubai (AE)

(72) Inventor: **Samer Najib El Beaini**, Dubai (AE)

(**) Term: **15 Years**

(21) Appl. No.: **29/591,639**

(22) Filed: **Jan. 23, 2017**

(51) **LOC (11) Cl.** **09-01**

(52) **U.S. Cl.**
USPC **D9/684**; D9/688

(58) **Field of Classification Search**
USPC D9/682, 684-694, 715, 719, 723-729,
D9/737, 738, 741, 745-747, 763-783,
D9/500, 504, 521, 529, 436, 445,
D9/447-449; 222/129, 135, 139, 140,
222/143, 182, 635, 252, 255, 265, 278,
222/330, 33, 1; 220/4.26, 4.27, 504, 524,
220/915, 916

(Continued)

(56) **References Cited**

U.S. PATENT DOCUMENTS

2,889,065 A * 6/1959 Lawlor A45D 34/02
215/12.1
D222,800 S * 1/1972 Donoghue D9/504
(Continued)

FOREIGN PATENT DOCUMENTS

CN 302929419 * 9/2014
EM 003870013-0001 * 7/2017
(Continued)

Primary Examiner — Catherine A Tuttle

(74) *Attorney, Agent, or Firm* — Ashok Tankha; Lipton,
Weinberger & Husick

(57) **CLAIM**

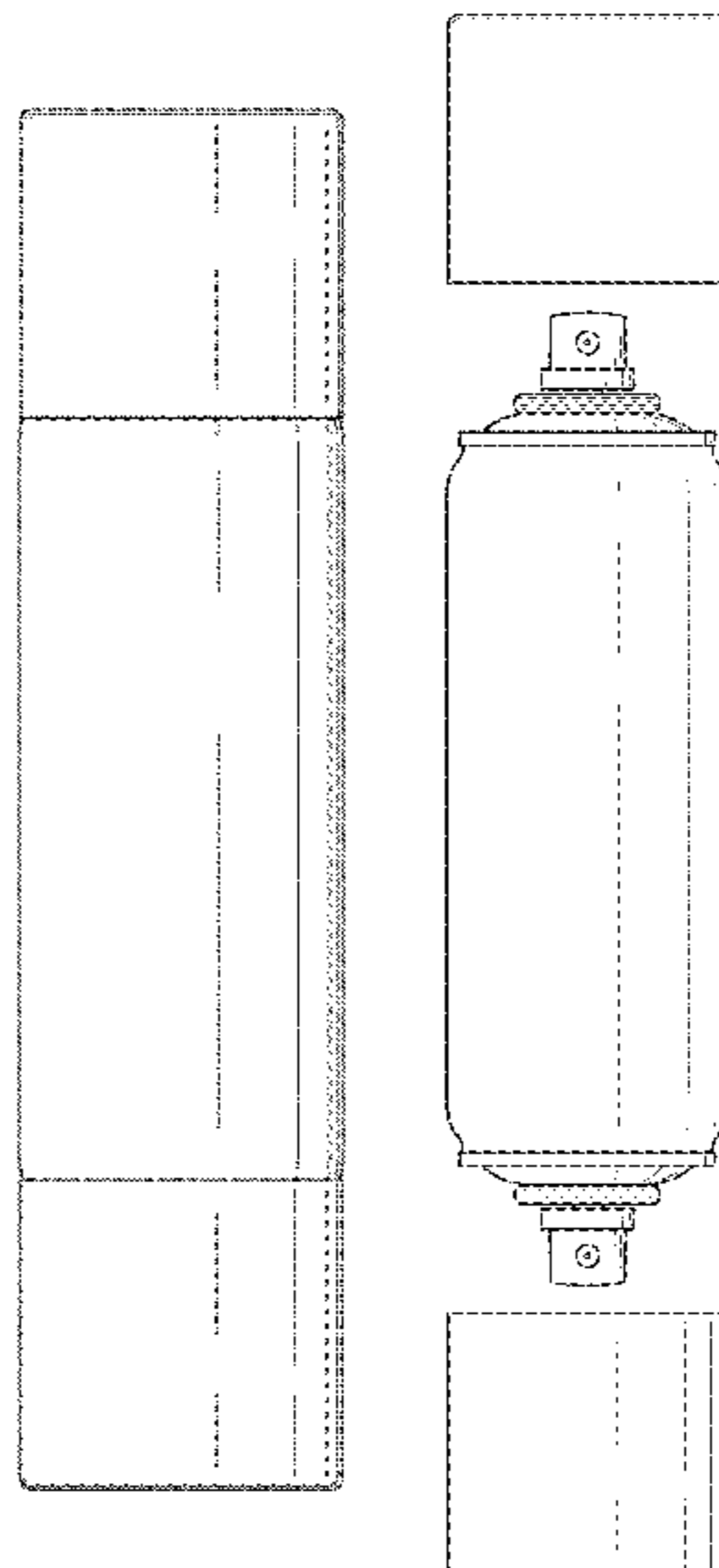
The ornamental design for a dual chambered fluid dispenser, as shown and described.

DESCRIPTION

FIG. 1 is a top perspective view of an ornamental design for a dual chambered fluid dispenser with caps in a closed position;
FIG. 2 is a bottom perspective view thereof;
FIG. 3 is a front elevation view thereof;
FIG. 4 is a rear elevation view thereof;
FIG. 5 is a right side elevation view thereof;
FIG. 6 is a left side elevation view thereof;
FIG. 7 is a top plan view thereof;
FIG. 8 is a bottom view thereof;
FIG. 9 is a top perspective view thereof, with the caps in an open position;
FIG. 10 is a bottom perspective view thereof, with the caps in the open position;
FIG. 11 is a front elevation view thereof, with the caps in the open position;
FIG. 12 is a rear elevation view thereof, with the caps in the open position;
FIG. 13 is a right side elevation view thereof, with the caps in the open position;
FIG. 14 is a left side elevation view thereof, with the caps in the open position;
FIG. 15 is a bottom view of the dual chambered fluid dispenser shown in FIG. 14, with the cap removed for a clear disclosure of the underlying portions;
FIG. 16 is a top plan view of the dual chambered fluid dispenser shown in FIG. 14, with the cap removed for a clear disclosure of the underlying portions; and,
FIG. 17 is a sectional view of the dual chambered fluid dispenser shown in FIG. 14, taken along a section line 17-17 in FIG. 16.

The broken lines in FIG. 17 are included for the purpose of illustrating the interior portions of the dual chambered fluid dispenser that form no part of the claimed design.

1 Claim, 15 Drawing Sheets



US D846,995 S

Page 2

(58) **Field of Classification Search**

CPC B65D 21/0209; B65D 81/3205; B65D 81/3211; B65D 81/325; B65D 81/3255; B65D 83/14; B65D 83/36; B65D 83/38; B65D 83/40; B65D 83/68; B65D 83/75; B65D 83/752; B65D 83/753; B65D 83/7532; B65D 1/04; B65D 1/06; B65D 1/16; B65D 1/165; B65D 1/20; B05B 11/0035; B05B 11/0037; B05B 11/0056; B05B 11/0059; B05B 11/0078; A45D 2034/005; A45D 2034/007; A45D 34/00; A45D 34/02; A45D 34/04; A45D 34/06; A45D 34/041; A45D 34/0425; A45D 2200/05; A45D 2200/051; A45D 2200/052; A45D 2200/053; A45D 2200/054; A45D 2200/055; A45D 2200/056; A45D 2200/057; A45D 2200/058

See application file for complete search history.

(56)

References Cited

U.S. PATENT DOCUMENTS

4,063,665 A * 12/1977 Schneider B65D 81/3205
222/129
D277,361 S * 1/1985 Tada D9/741
D279,166 S * 6/1985 Tada D9/692
D279,992 S * 8/1985 Gribb 401/199
D337,254 S * 7/1993 Nakagawa D9/435

5,337,912 A * 8/1994 Jochem B65D 83/40
215/321
5,499,738 A * 3/1996 Burleigh B65D 1/04
215/395
D383,980 S * 9/1997 Abfier D9/502
5,803,268 A * 9/1998 Levy A45D 34/00
132/315
5,884,796 A * 3/1999 Hallmark A47J 41/02
220/23.88
D421,390 S * 3/2000 DuGrenier D9/684
D438,469 S * 3/2001 Breidenbach D9/504
6,196,421 B1 * 3/2001 Williams B65D 83/20
222/129
7,770,755 B2 * 8/2010 Arghyris B05B 11/3085
222/135
D708,961 S * 7/2014 Jung D9/723
D723,393 S * 3/2015 Belafonte D9/772
D810,581 S * 2/2018 Shalev D9/684
D817,633 S * 5/2018 Dutton D3/203.3
2015/0166221 A1 * 6/2015 Grodsky B65D 21/0209
222/143

FOREIGN PATENT DOCUMENTS

EP 0574684 A2 * 12/1993 B05B 9/0822
EP 1199255 A1 * 4/2002 B65D 83/75
EP 2377778 A1 * 10/2011 B65D 83/38
FR 127195-0001 * 2/1979
IE 21854-0001 * 12/2014
WO WO-0024650 A1 * 5/2000 B65D 83/752
WO WO-0172602 A2 * 10/2001 B65D 81/3205
WO WO-2006070888 A1 * 7/2006 B65D 83/205

* cited by examiner

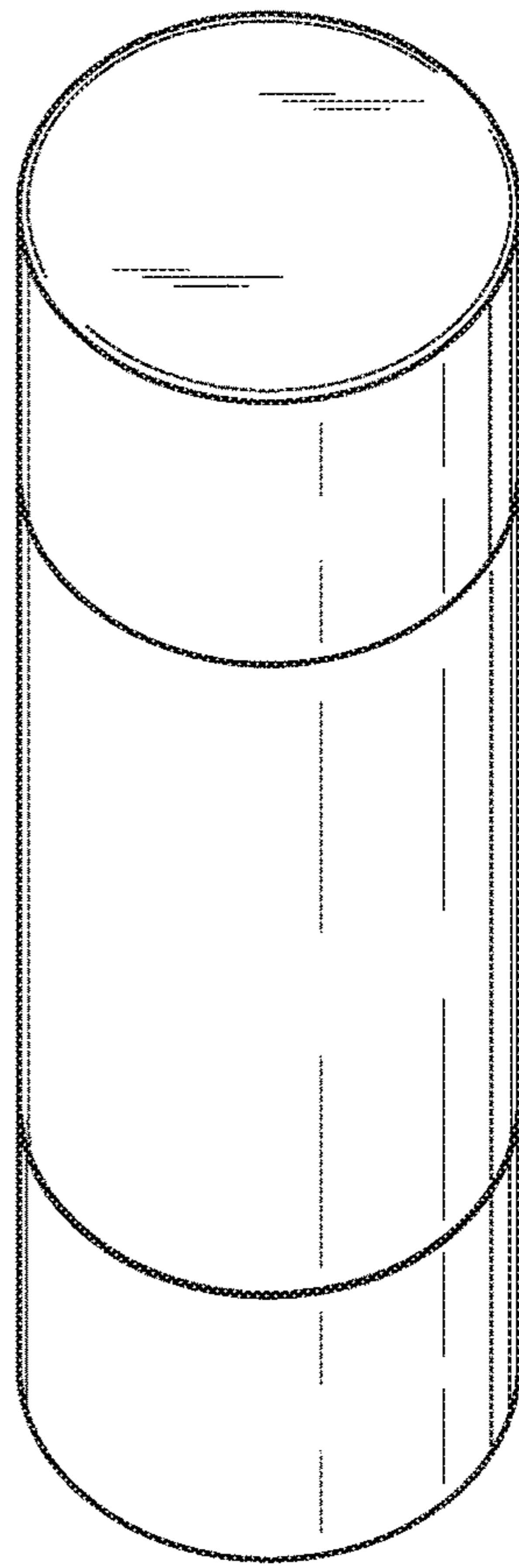


FIG. 1

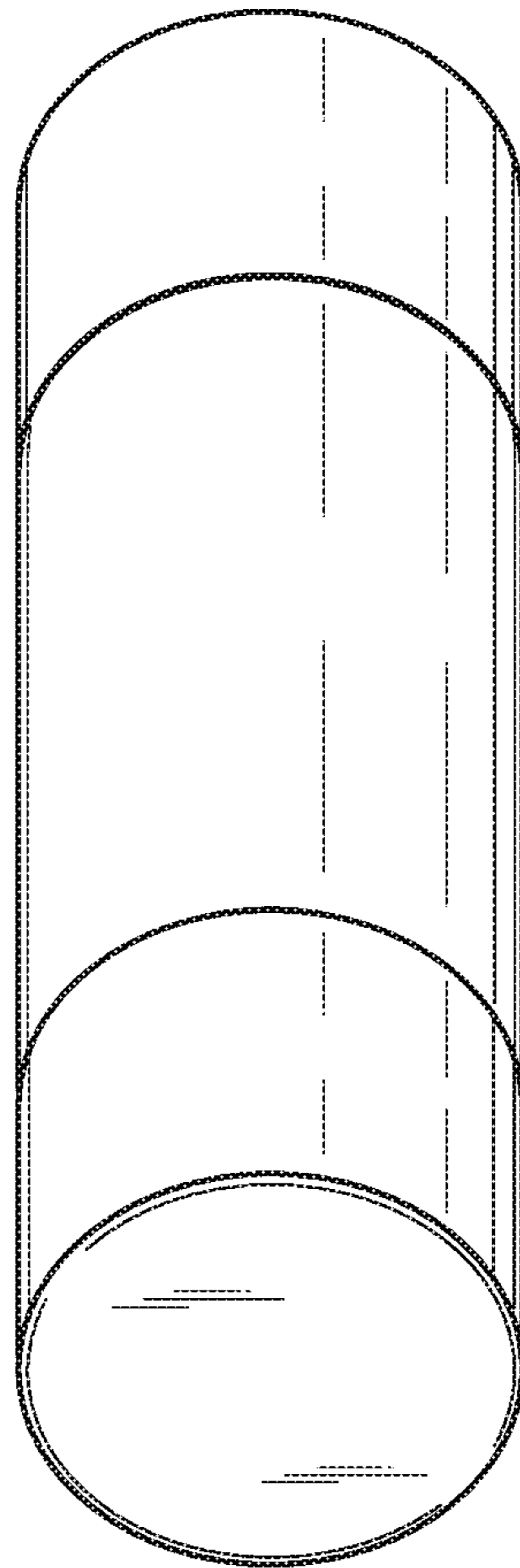


FIG. 2

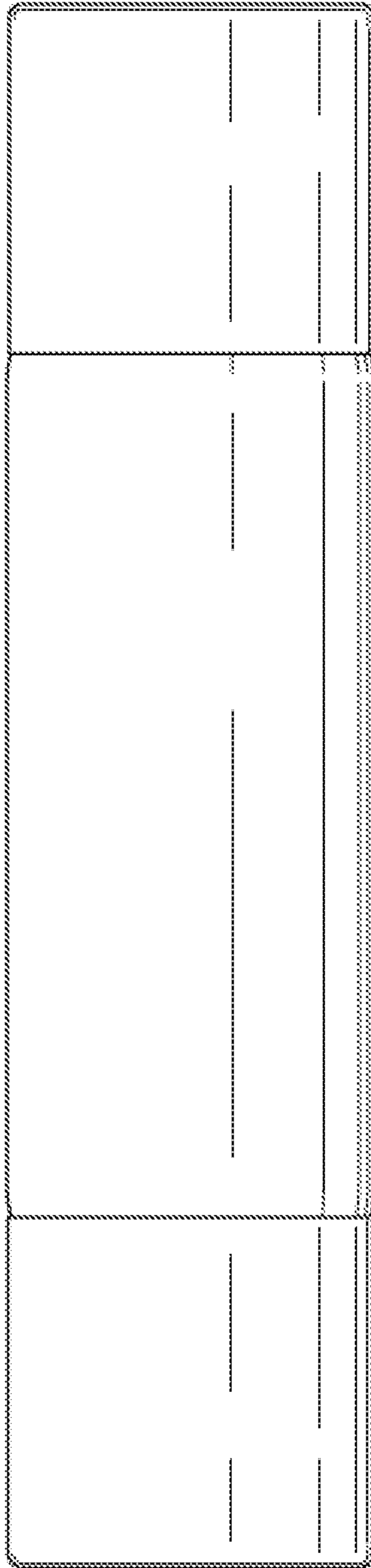


FIG. 3

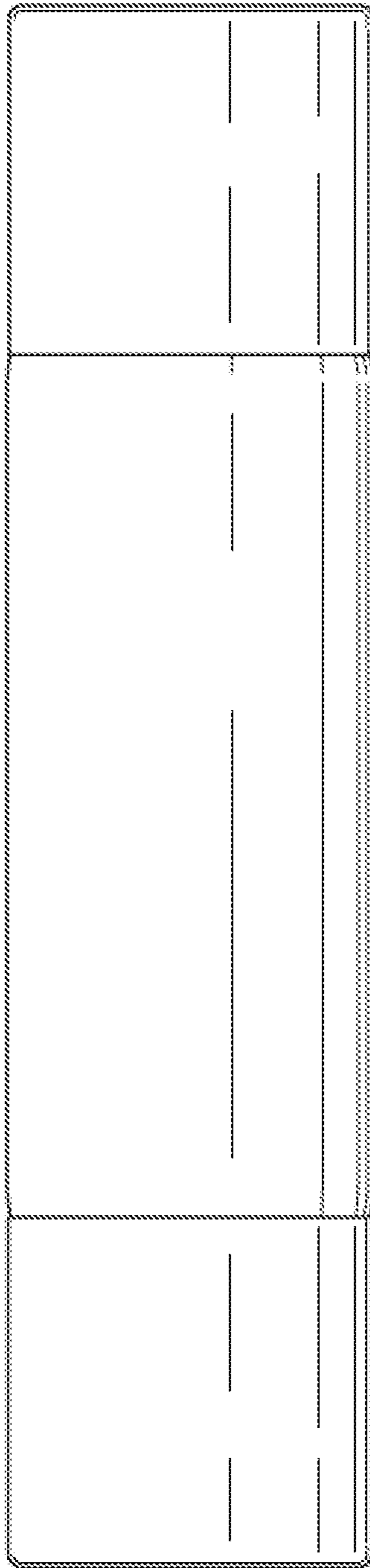


FIG. 4

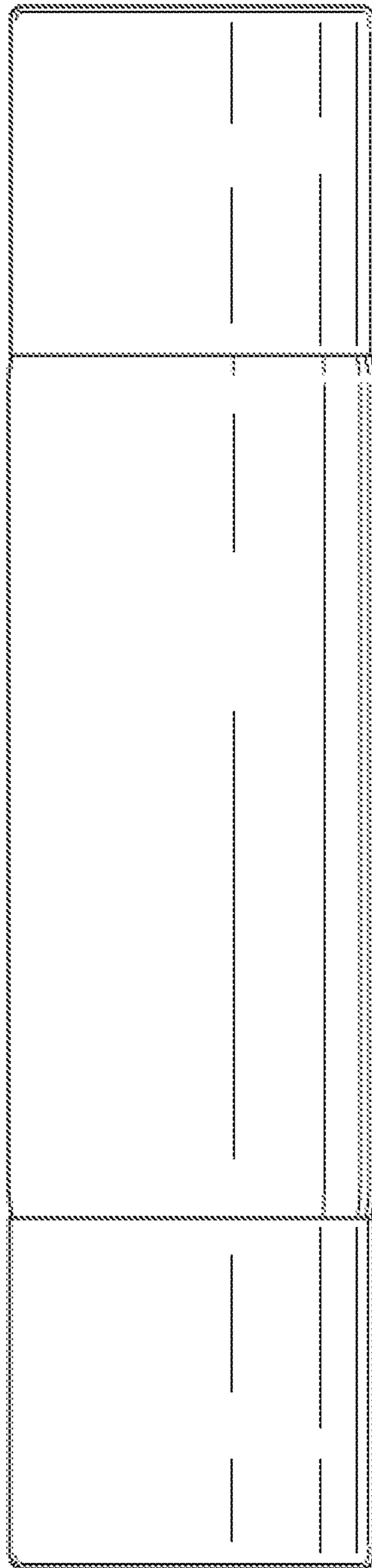


FIG. 5

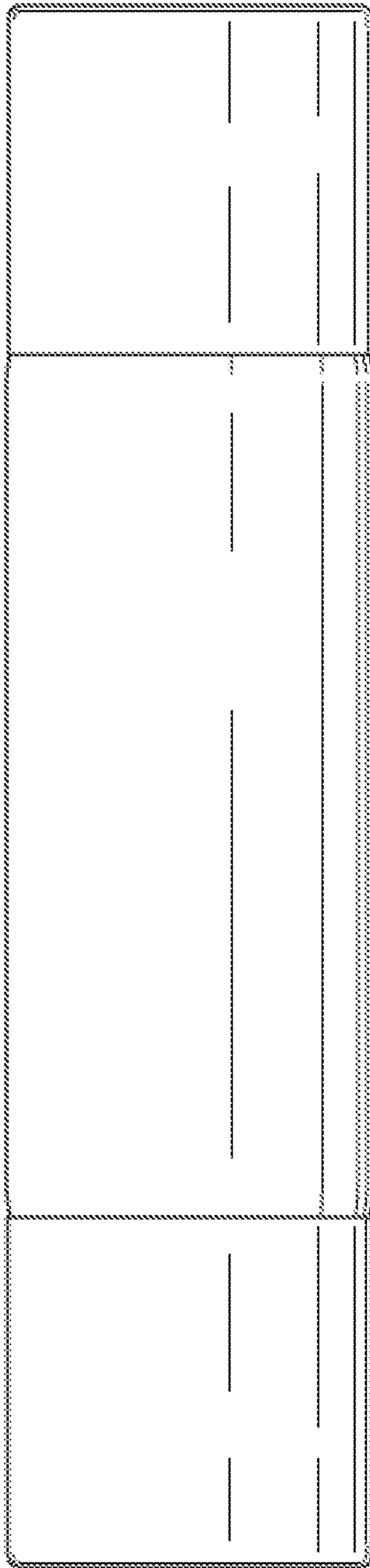


FIG. 6

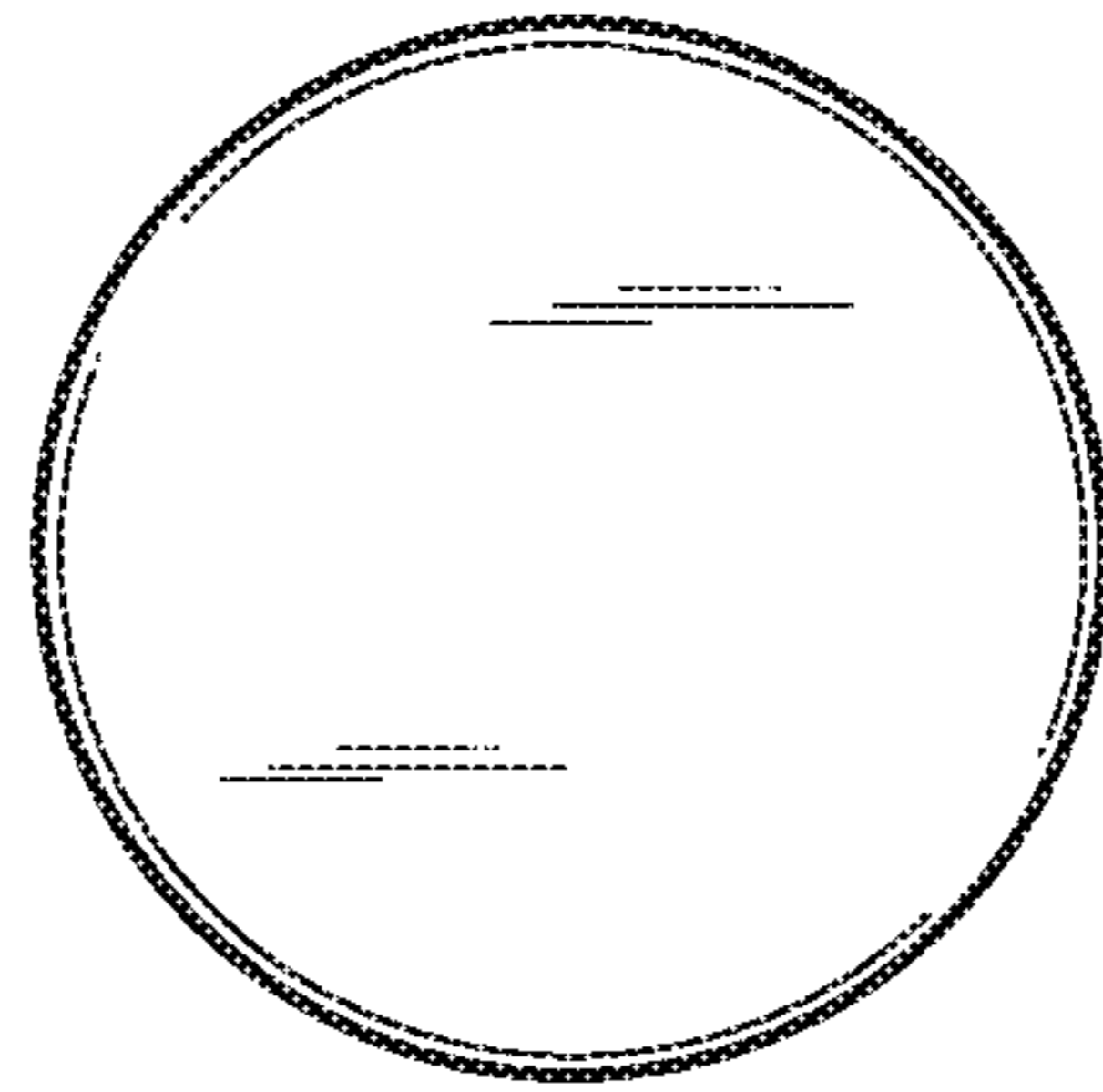


FIG. 7

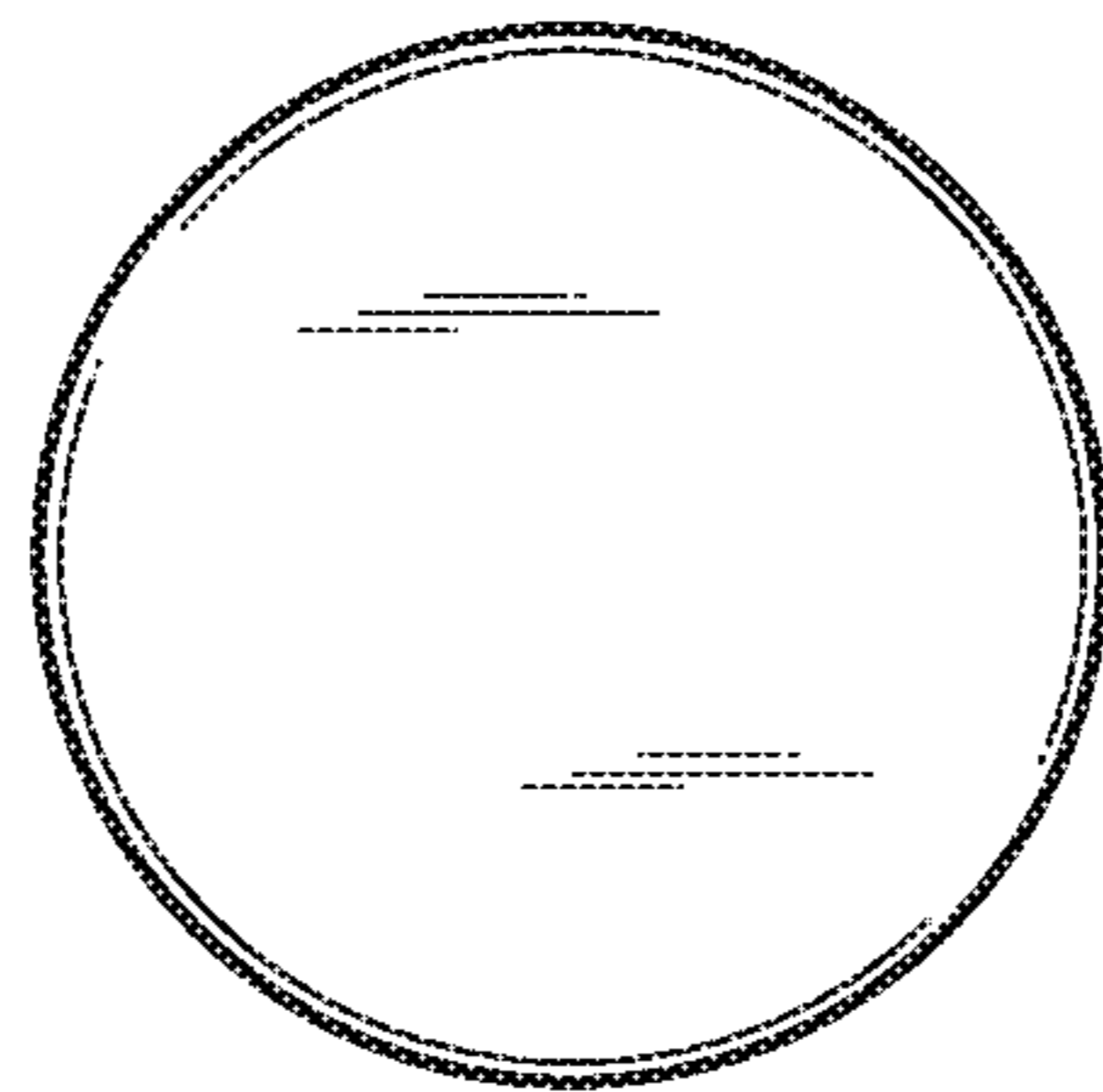


FIG. 8

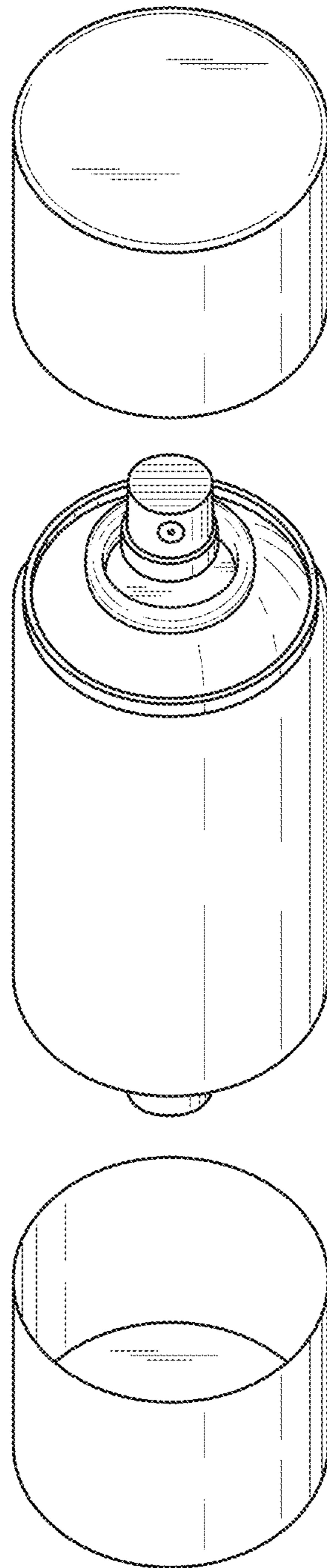


FIG. 9

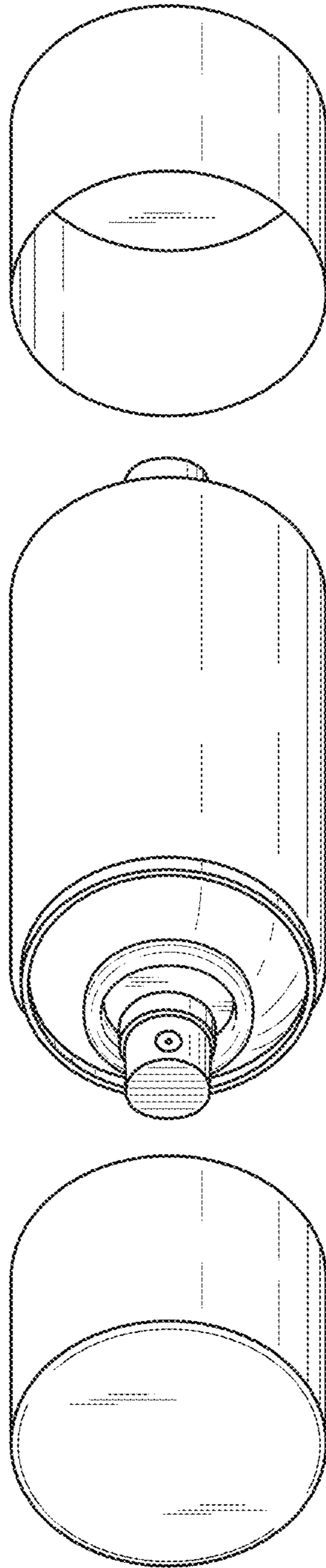


FIG. 10

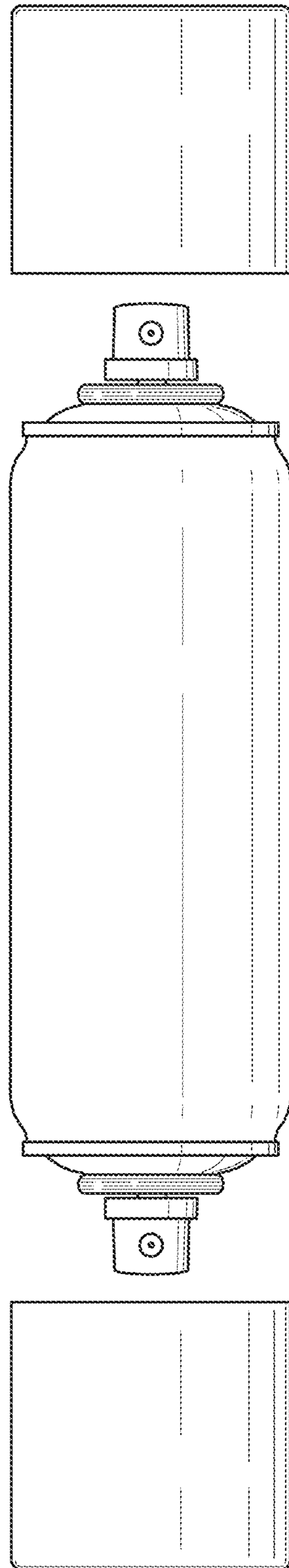


FIG. 11

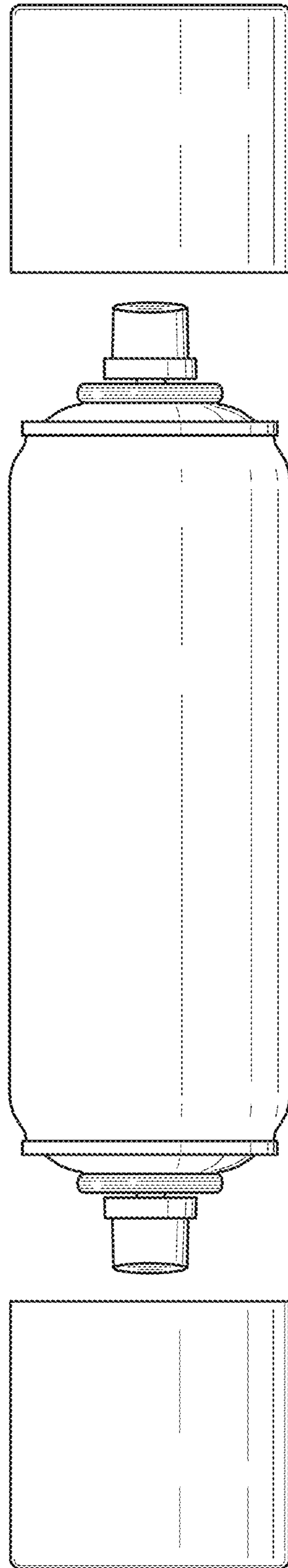


FIG. 12

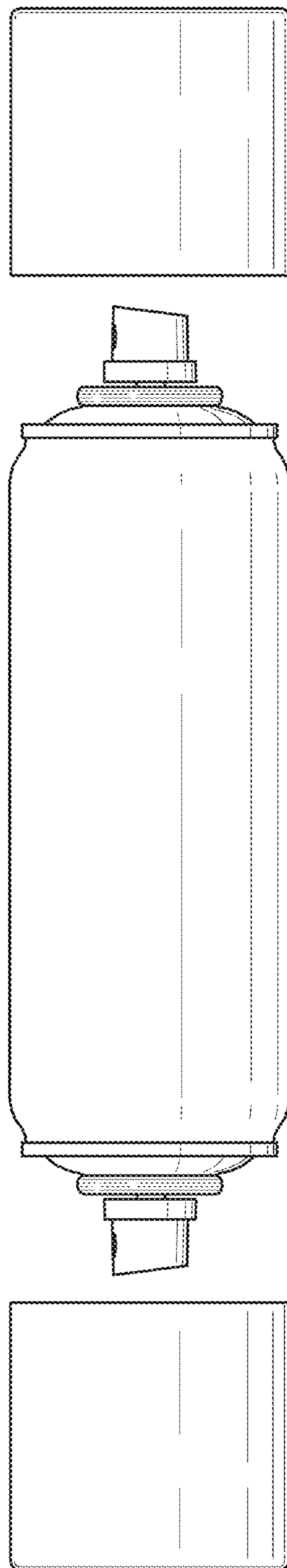


FIG. 13

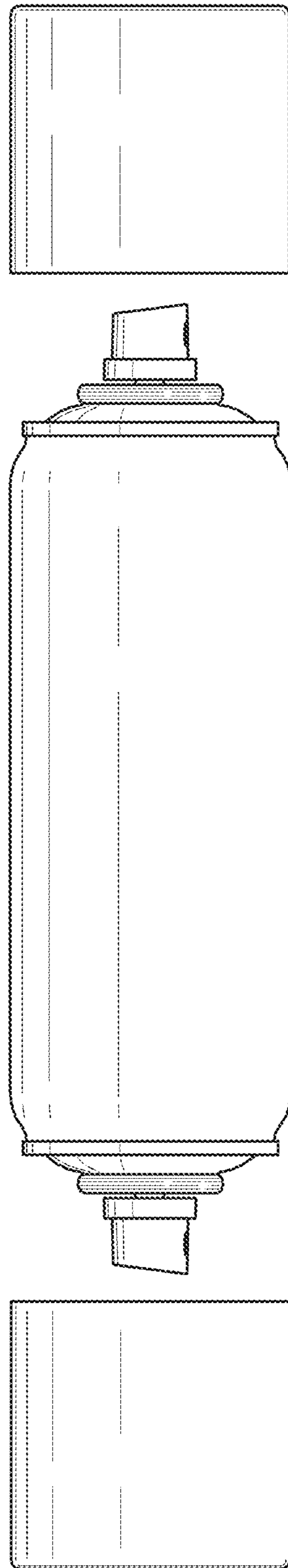


FIG. 14

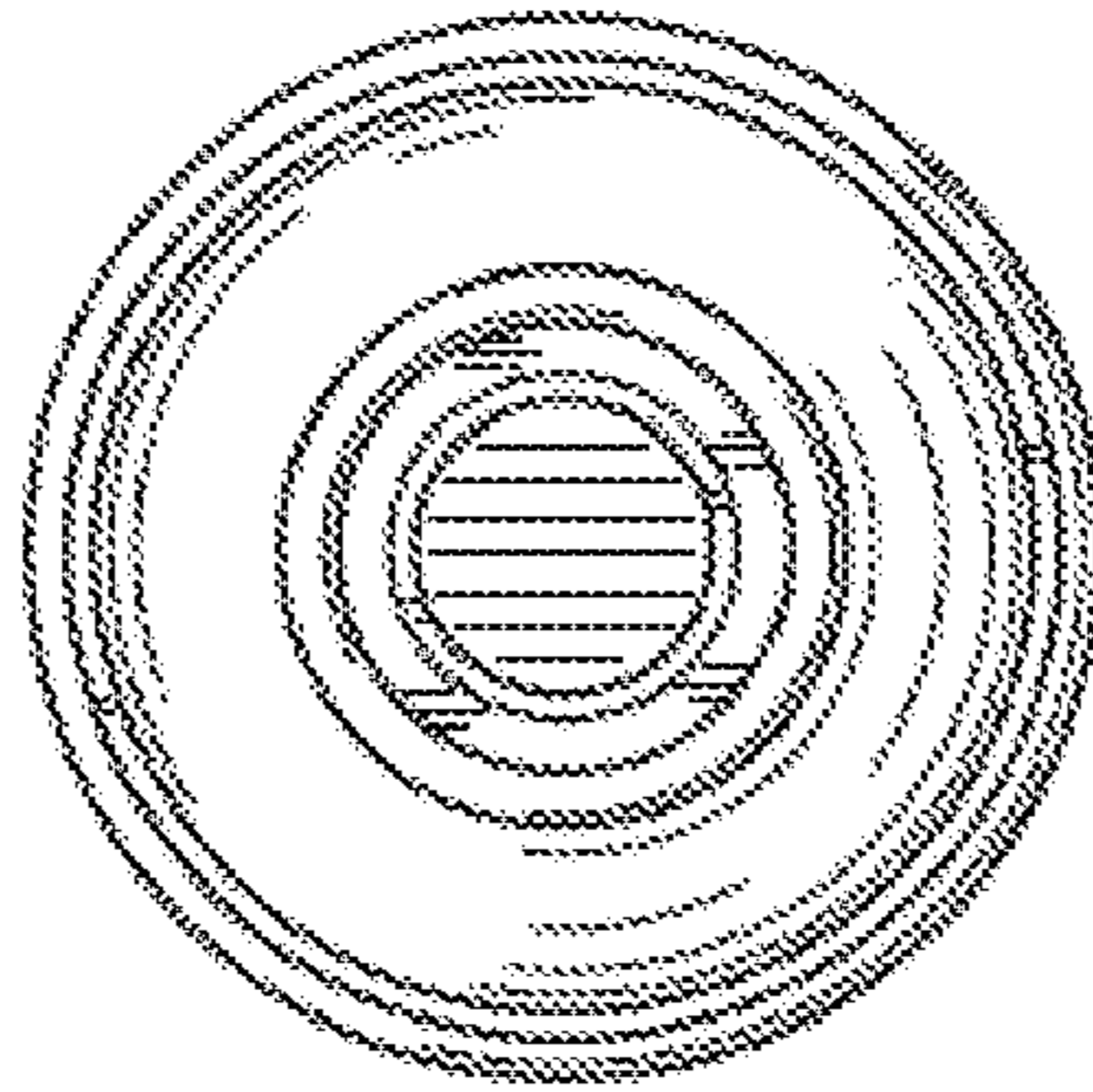


FIG. 15

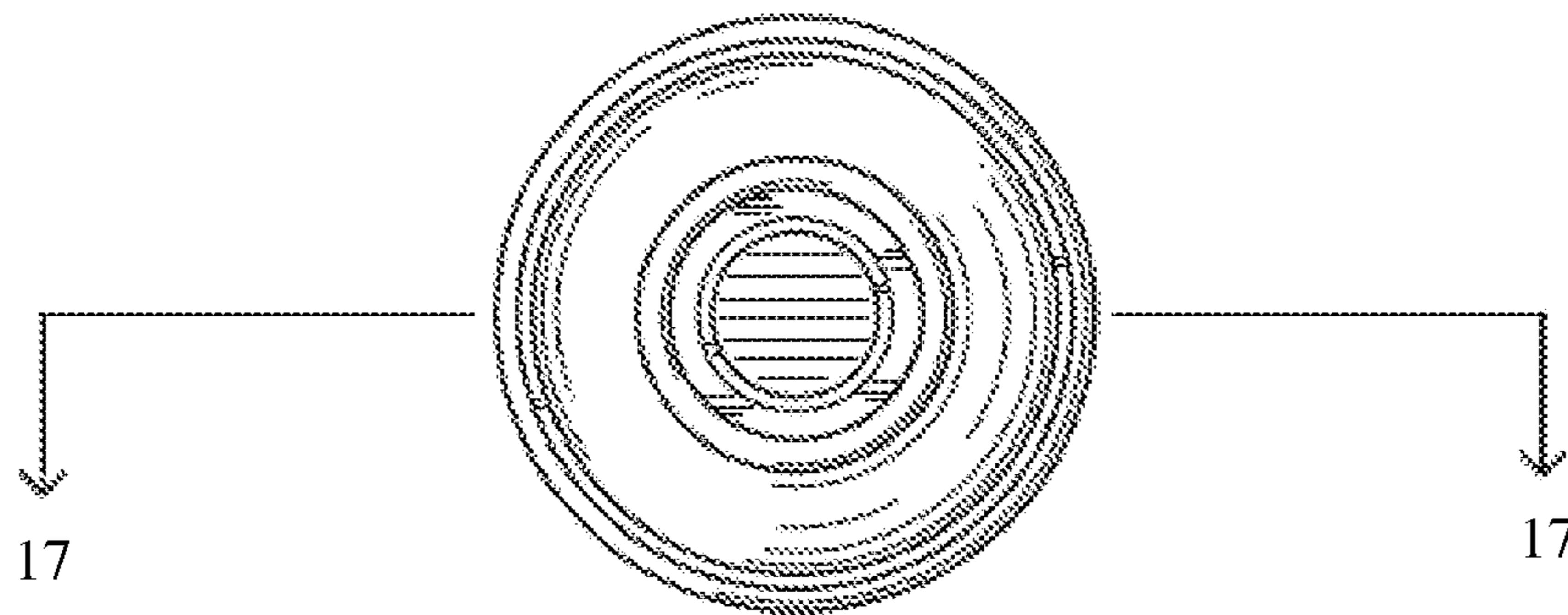


FIG. 16

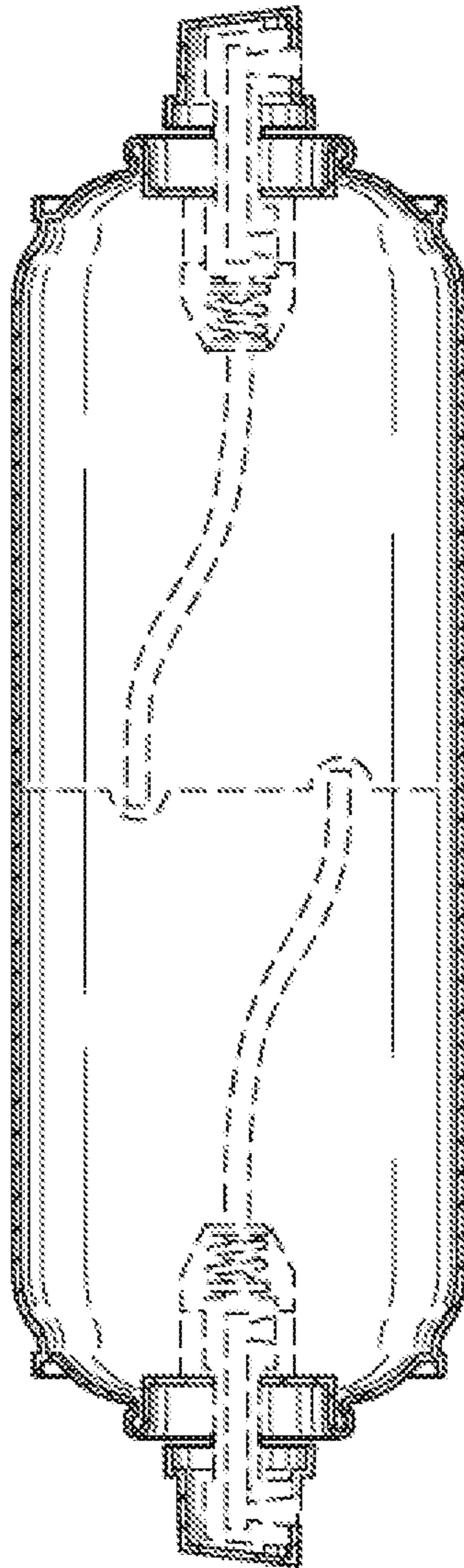


FIG. 17