

US00D846993S

(12) **United States Design Patent**
Nguyen

(10) **Patent No.:** **US D846,993 S**

(45) **Date of Patent:** **** Apr. 30, 2019**

(54) **BOTTLE**

(71) Applicant: **Berlin Packaging, LLC**, Chicago, IL (US)

(72) Inventor: **Tien Nguyen**, Chicago, IL (US)

(73) Assignee: **Berlin Packaging, LLC**, Chicago, IL (US)

(**) Term: **15 Years**

(21) Appl. No.: **29/605,705**

(22) Filed: **May 30, 2017**

Related U.S. Application Data

(62) Division of application No. 29/545,234, filed on Nov. 11, 2015, now Pat. No. Des. 810,577.

(51) **LOC (11) Cl.** **09-01**

(52) **U.S. Cl.**
USPC **D9/559**; D9/541; D9/546

(58) **Field of Classification Search**
USPC D7/509–511, 531, 598; D9/441, 451, D9/503–505, 516, 519, 521, 522, 529, D9/530, 535, 537–539, 541–545, D9/550–554, 558–559, 563, 565–567, D9/571–575

CPC .. B65D 51/245; B65D 1/0223; B65D 1/0284; B65D 1/0215; B65D 2501/0027; B65D 2501/0081; A45D 34/00

See application file for complete search history.

(56) **References Cited**

U.S. PATENT DOCUMENTS

6,413,466 B1 * 7/2002 Boyd B65D 1/0207
264/523
6,460,714 B1 * 10/2002 Silvers B65D 1/0223
215/381

D480,315 S * 10/2003 Sadeghi D9/538
D735,581 S * 8/2015 Eble D9/520
D764,922 S * 8/2016 Eble D9/520
D792,223 S * 7/2017 Kim D9/559
D794,468 S * 8/2017 Ivie D9/520
D798,158 S * 9/2017 Gottlieb D9/552
D810,577 S * 2/2018 Nguyen D9/516
D833,286 S * 11/2018 Ogg D9/543
D833,876 S * 11/2018 Laib D9/503

* cited by examiner

Primary Examiner — Garth Rademaker

Assistant Examiner — Fritzgerald L Butac

(74) *Attorney, Agent, or Firm* — Adam K. Sacharoff;
Much Shelist, P.C.

(57) **CLAIM**

The ornamental design for a bottle, as shown and described.

DESCRIPTION

FIG. 1 is a perspective view of a bottle showing my new design;
FIG. 2 is another perspective view of the bottle from FIG. 1;
FIG. 3 is another perspective view taken from underneath the bottle from FIG. 1;
FIG. 4 is a front elevation view of the bottle from FIG. 1, the rear elevation being a mirrored view thereof;
FIG. 5 is a side view of the bottle from FIG. 1, the opposite side being a mirrored view thereof;
FIG. 6 is a top plan view of the bottle from FIG. 1; and,
FIG. 7 is a bottom plan view of the bottle from FIG. 1.
The broken lines show portions of the bottle that form no part of the claimed design.

1 Claim, 7 Drawing Sheets

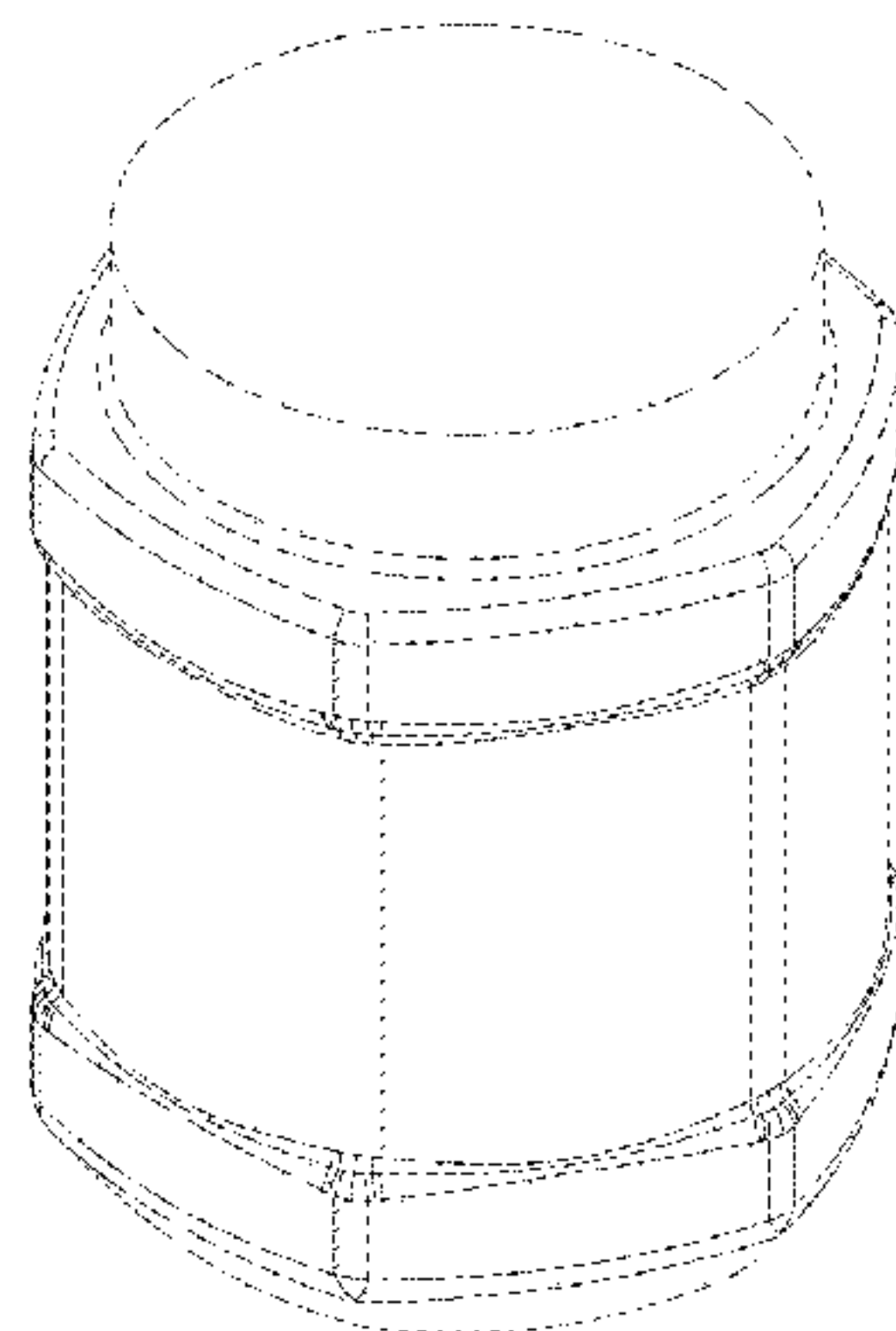


FIG. 1

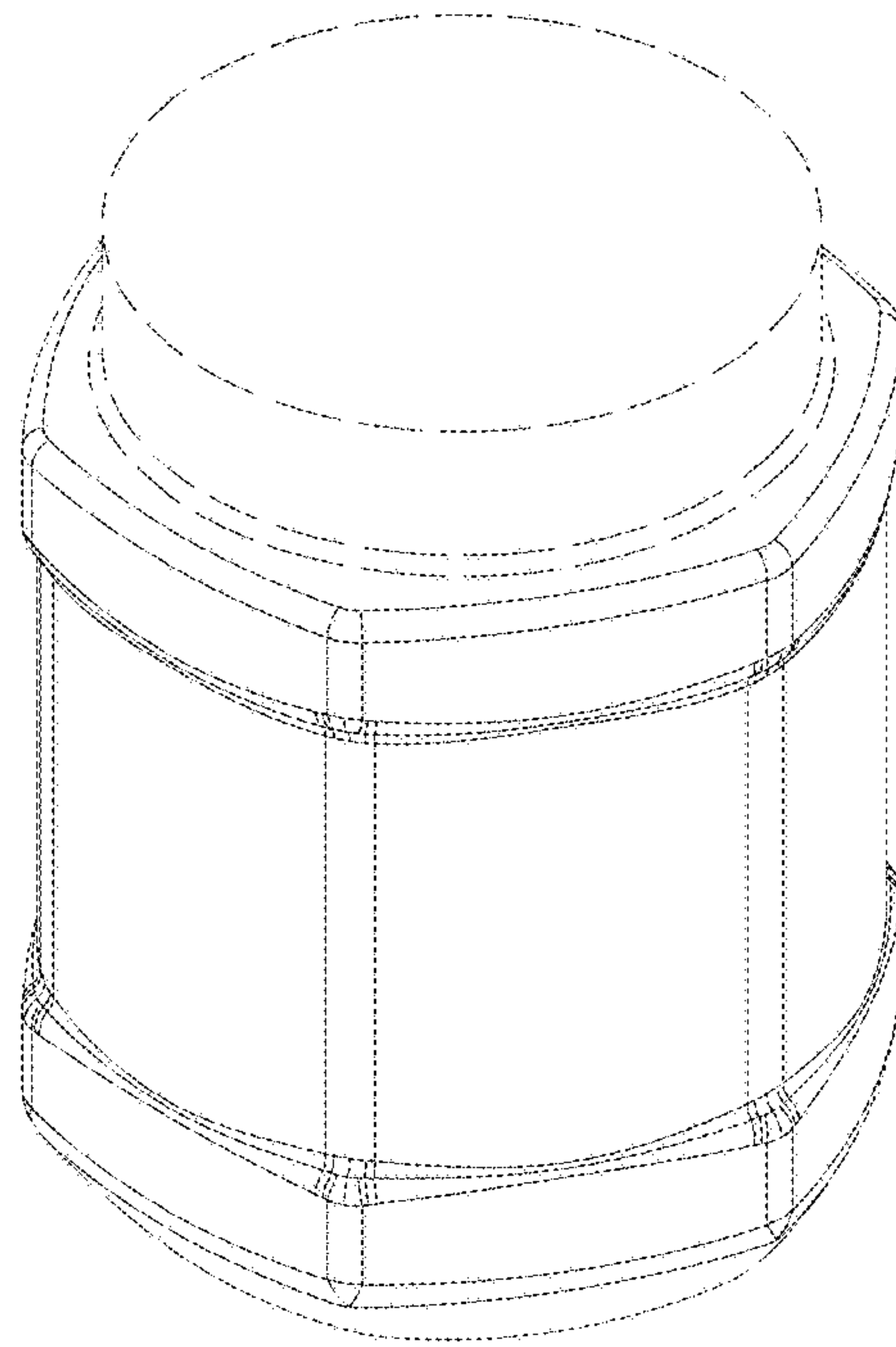


FIG. 2

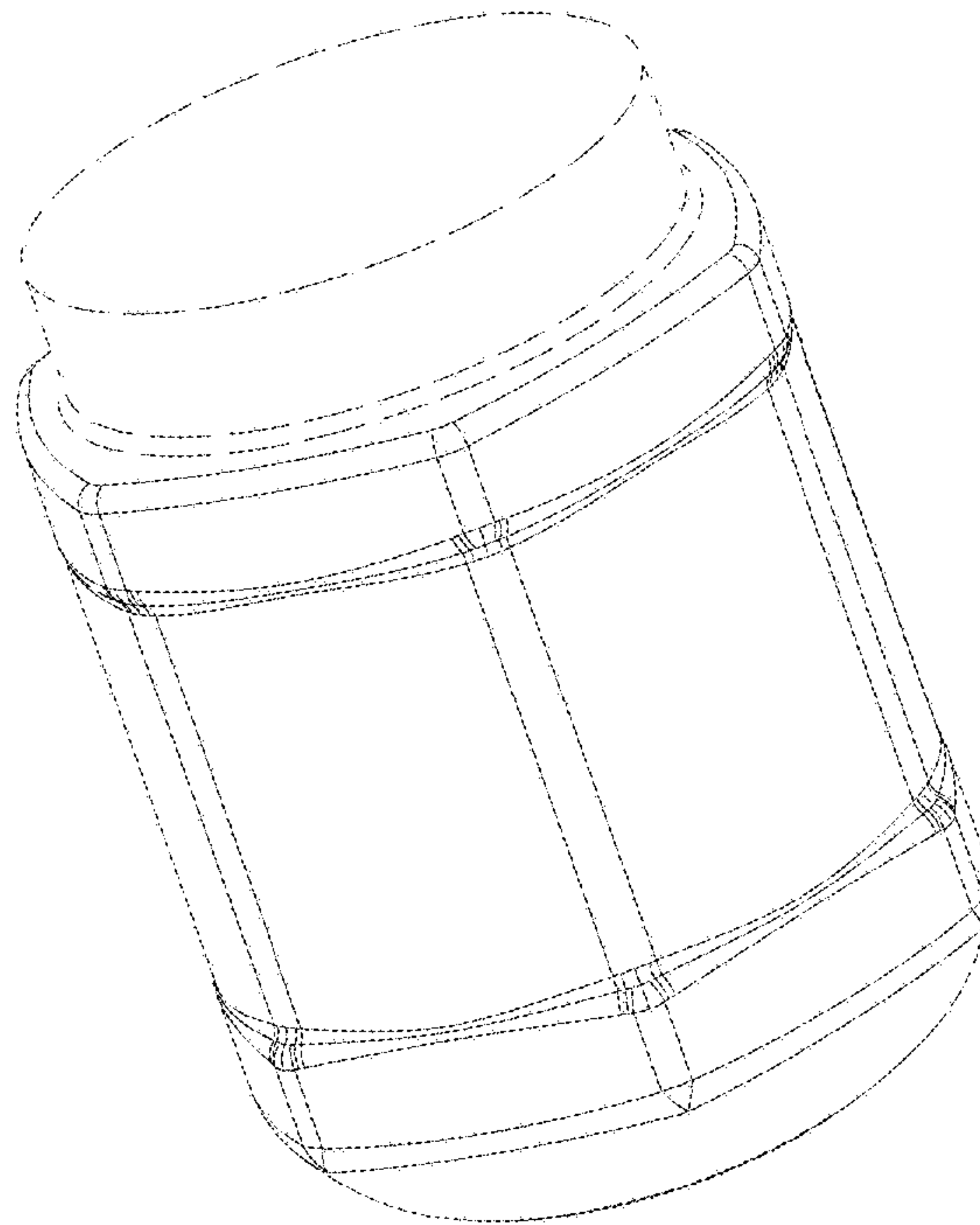


FIG. 3

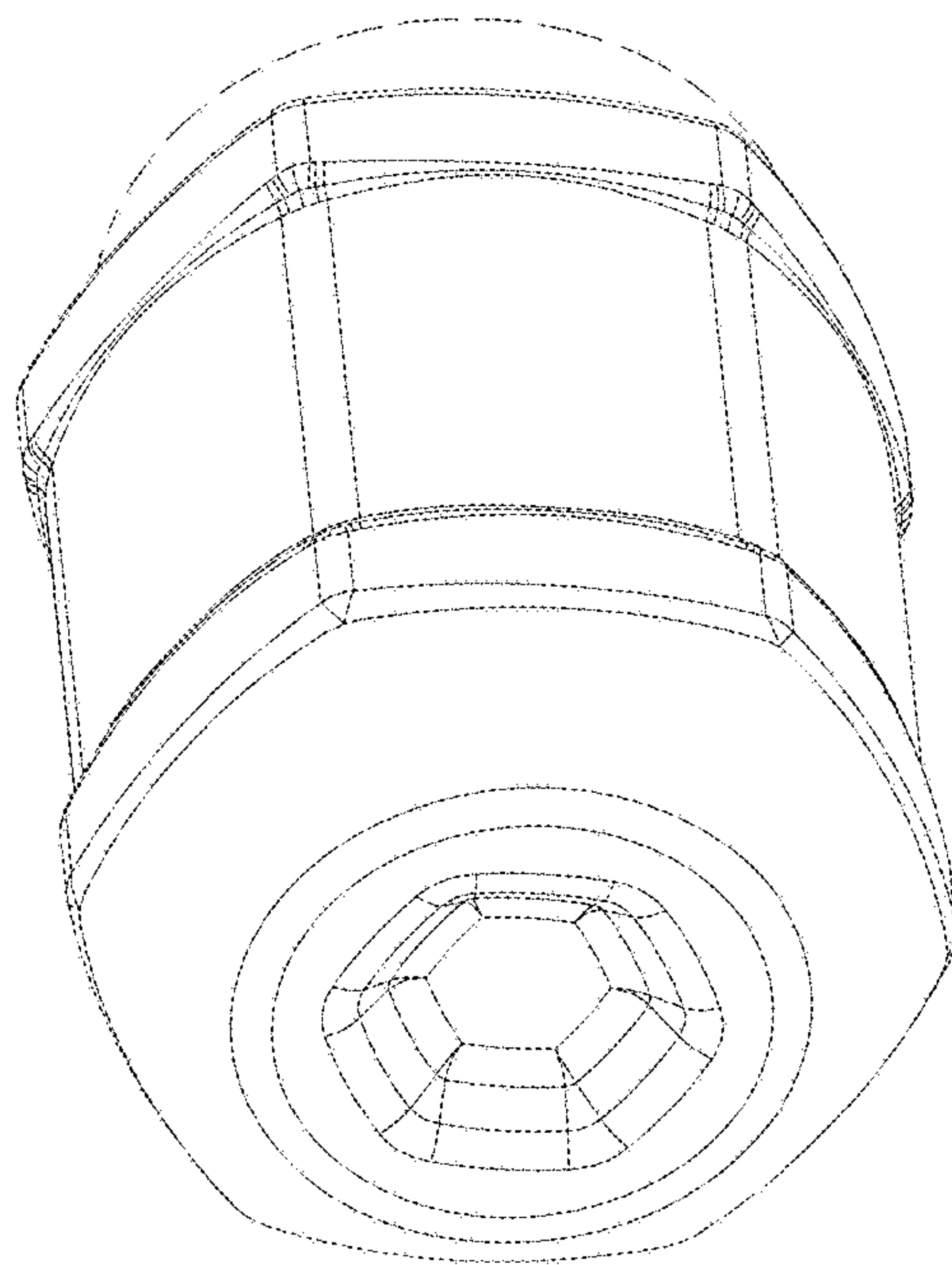


FIG. 4

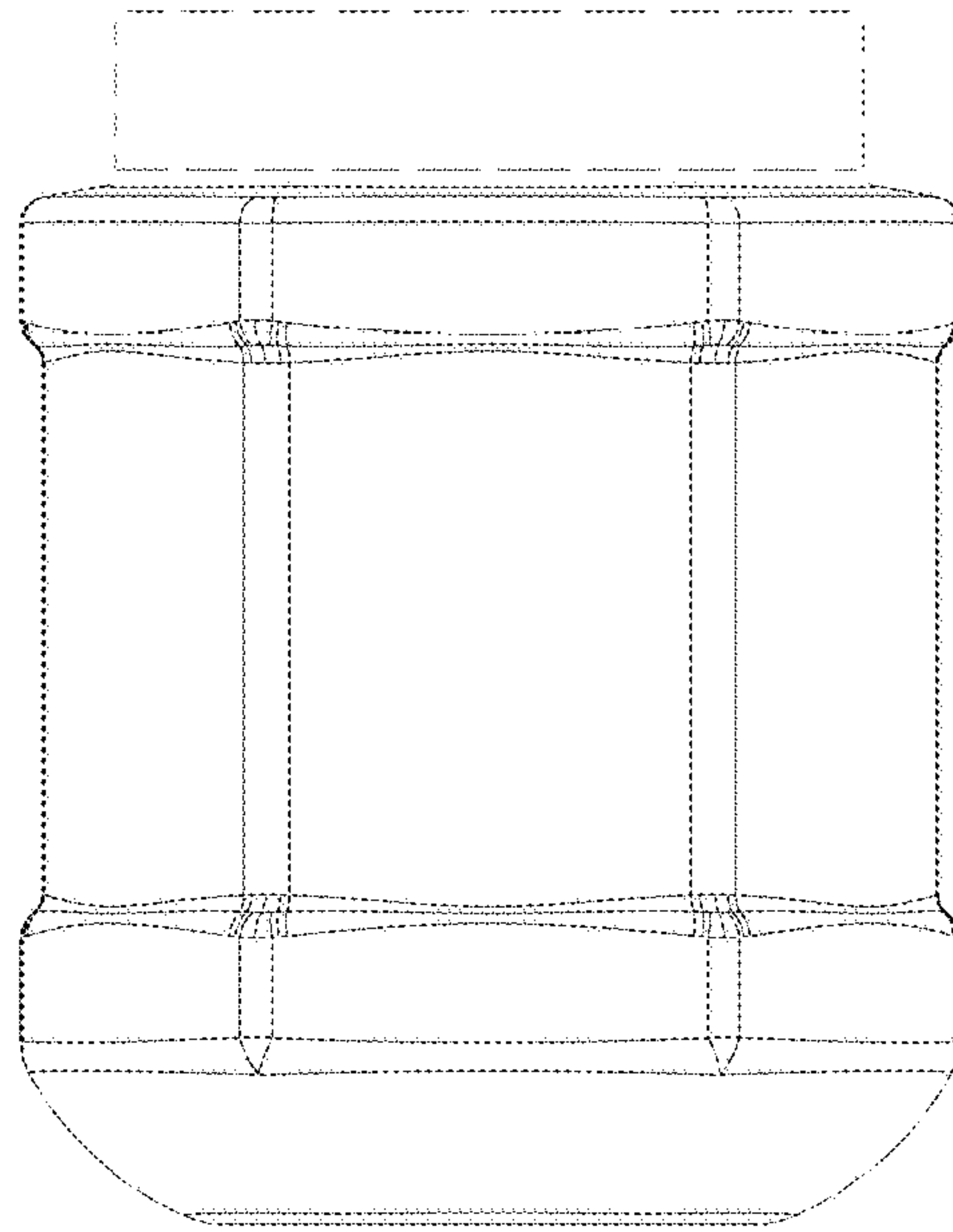


FIG. 5

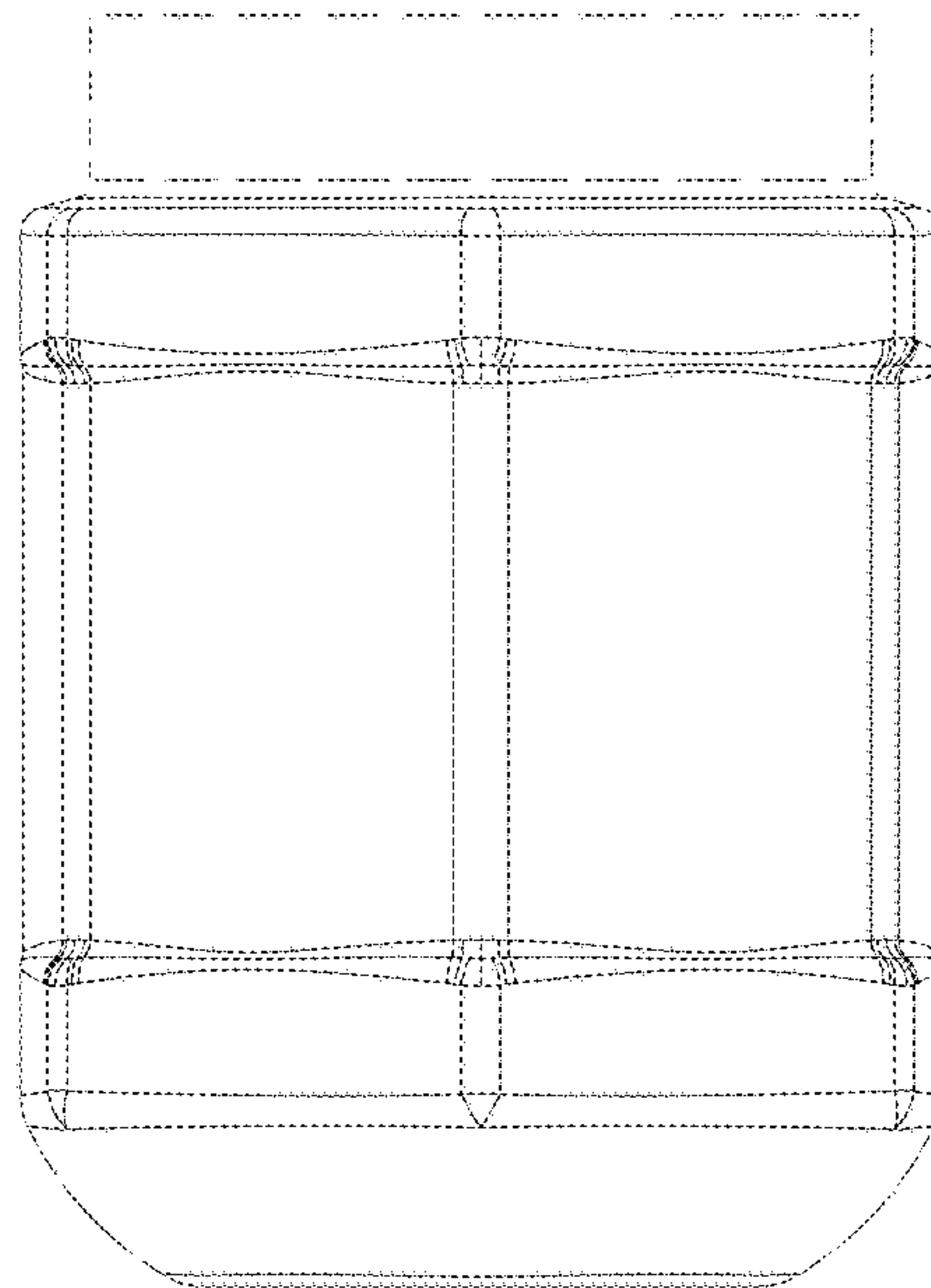


FIG. 6

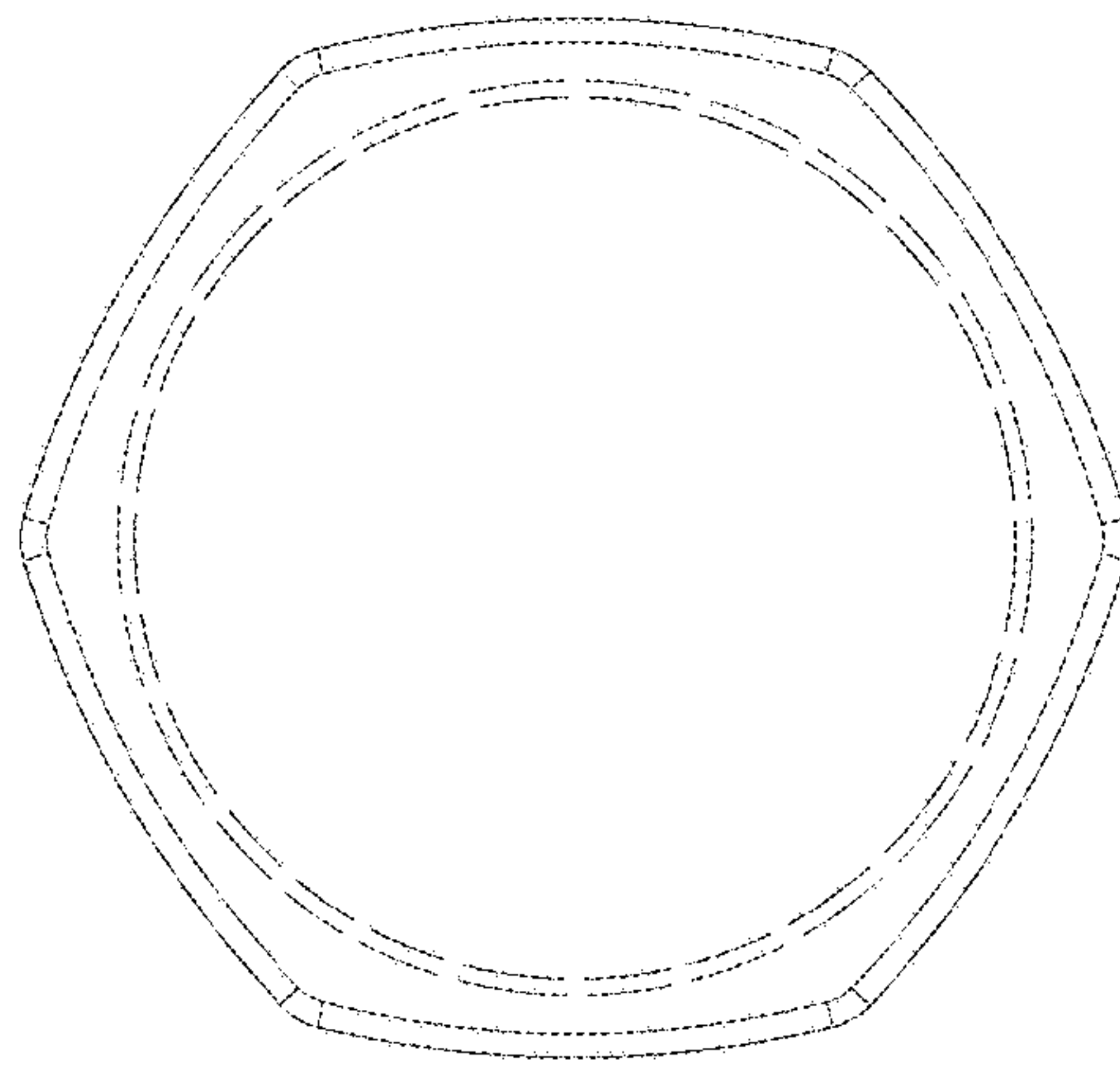


FIG. 7

