



US00D846990S

(12) **United States Design Patent**
Rosales Camarena

(10) **Patent No.:** **US D846,990 S**

(45) **Date of Patent:** **** Apr. 30, 2019**

(54) **BOTTLE**

(71) Applicant: **Jose Maria Cecilio Rosales Camarena, Jalisco (MX)**

(72) Inventor: **Jose Maria Cecilio Rosales Camarena, Jalisco (MX)**

(**) Term: **15 Years**

(21) Appl. No.: **29/602,760**

(22) Filed: **May 3, 2017**

(51) **LOC (11) Cl.** **09-01**

(52) **U.S. Cl.**
USPC **D9/526; D9/575**

(58) **Field of Classification Search**
USPC D9/516, 520, 523, 526, 529, 530, 542,
D9/549, 550, 571, 575, 715, 719;
D24/121, 197, 224
CPC B65D 23/102; B65D 83/00; B65D 83/285
See application file for complete search history.

(56) **References Cited**

U.S. PATENT DOCUMENTS

D147,265 S *	8/1947	Gardner	D19/79
D194,711 S *	2/1963	Bateman	D9/526
D319,699 S *	9/1991	Dunning	D24/115
D357,629 S *	4/1995	Weiss	D9/521

D358,332 S *	5/1995	Schneider	D9/522
D395,240 S *	6/1998	Dinand	D9/454
D414,115 S *	9/1999	Goettner	D9/526
D454,788 S *	3/2002	Pezzoli	D9/521
D501,139 S *	1/2005	Conway	D9/444
D513,989 S *	1/2006	De Monclin	D9/522
D582,282 S *	12/2008	Althoff	D9/522
D596,945 S *	7/2009	Barnett	D24/197
D749,949 S *	2/2016	Bruining	D9/447
D756,227 S *	5/2016	Goswell	D9/454
D798,157 S *	9/2017	Robinson	D9/526

* cited by examiner

Primary Examiner — Ian Simmons

Assistant Examiner — Keith Frank

(57) **CLAIM**

The ornamental design for a bottle, as shown and described.

DESCRIPTION

FIG. 1 is an upper perspective view of a bottle showing my new design.

FIG. 2 is a front view thereof;

FIG. 3 is a rear view thereof;

FIG. 4 is a side view thereof;

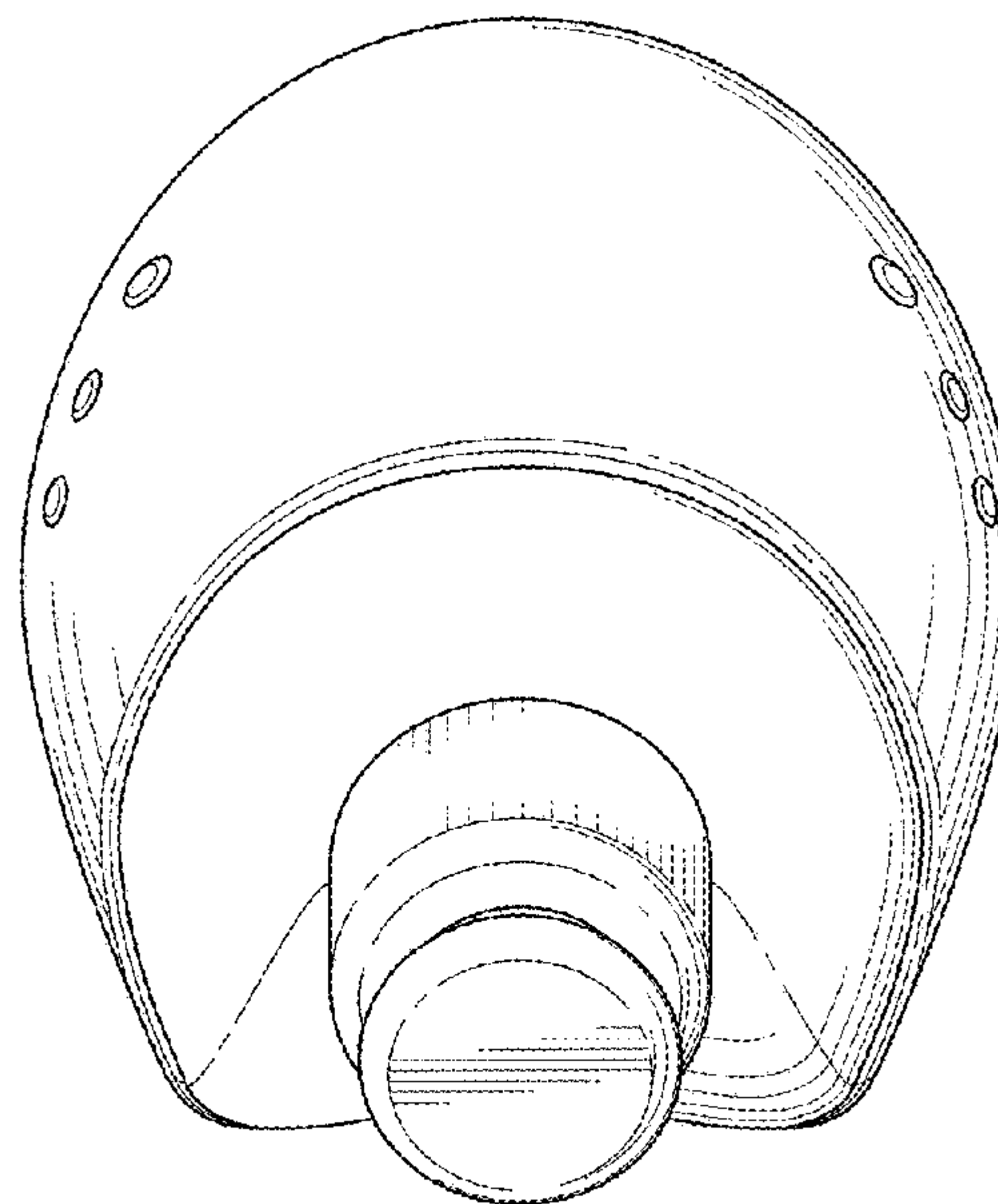
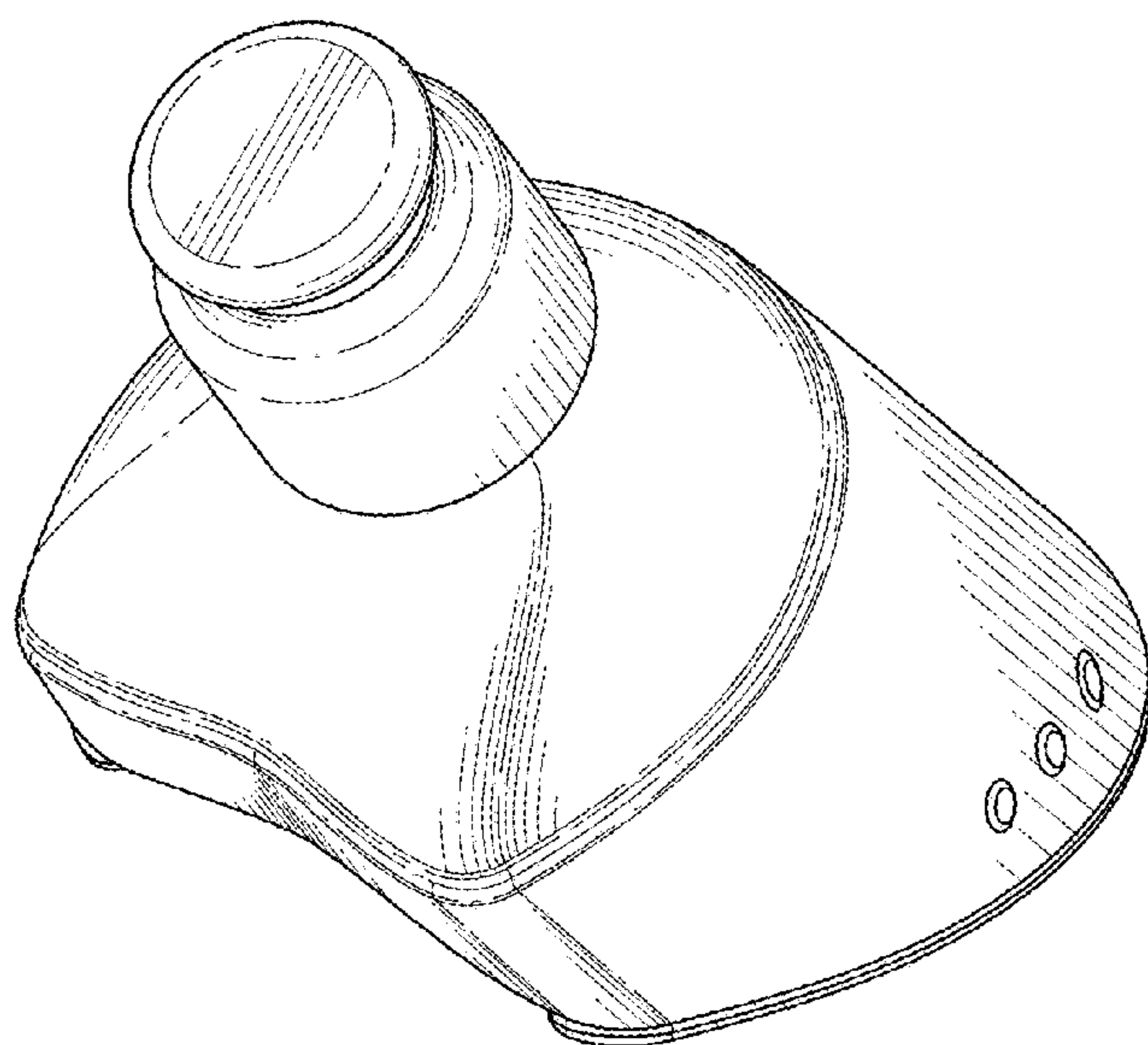
FIG. 5 is an opposite side view thereof;

FIG. 6 is a top view thereof; and,

FIG. 7 is a bottom view thereof.

The features presented in broken lines represent unclaimed portions of the bottle and form no part of the claimed design.

1 Claim, 4 Drawing Sheets



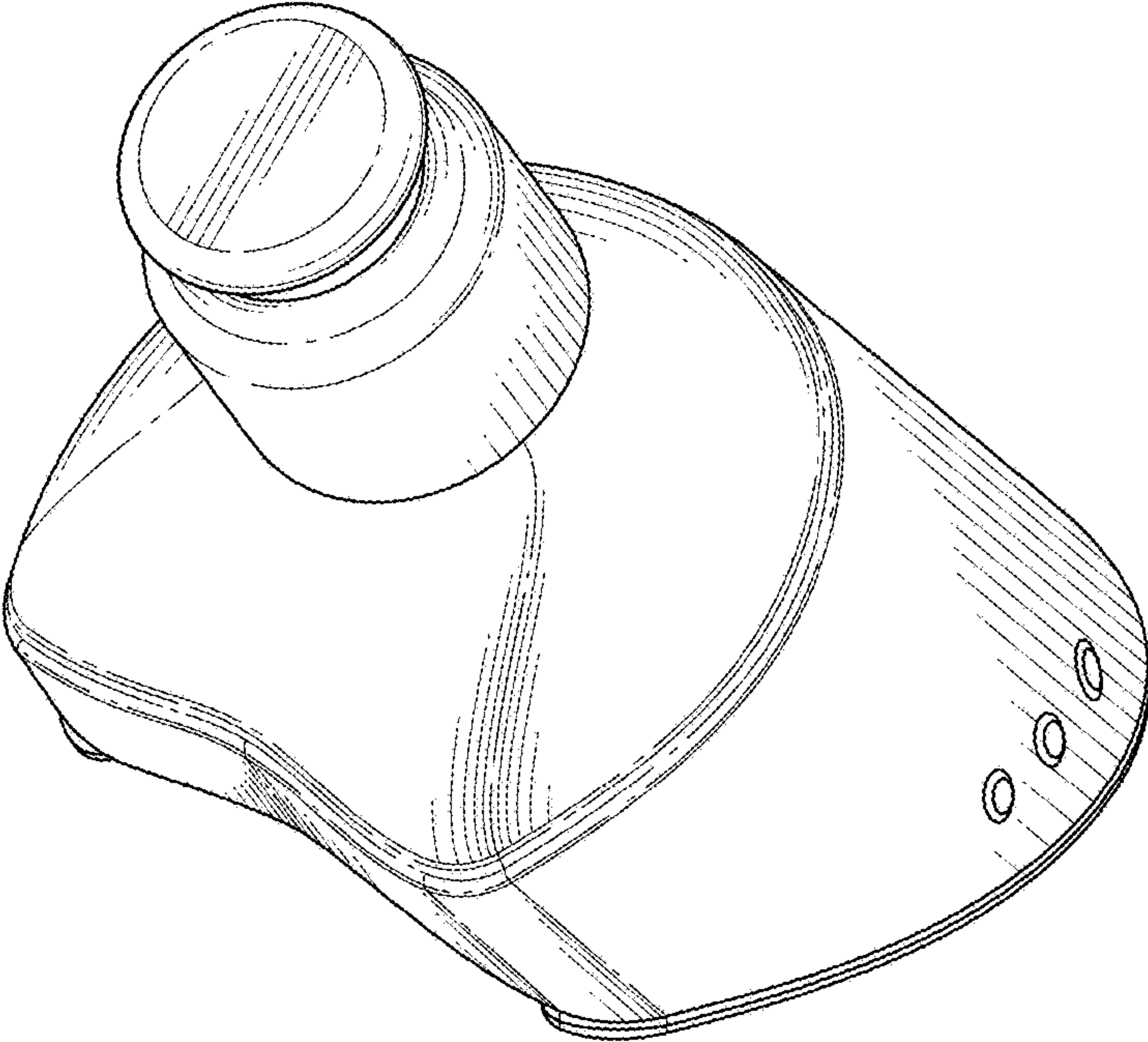


FIG. 1

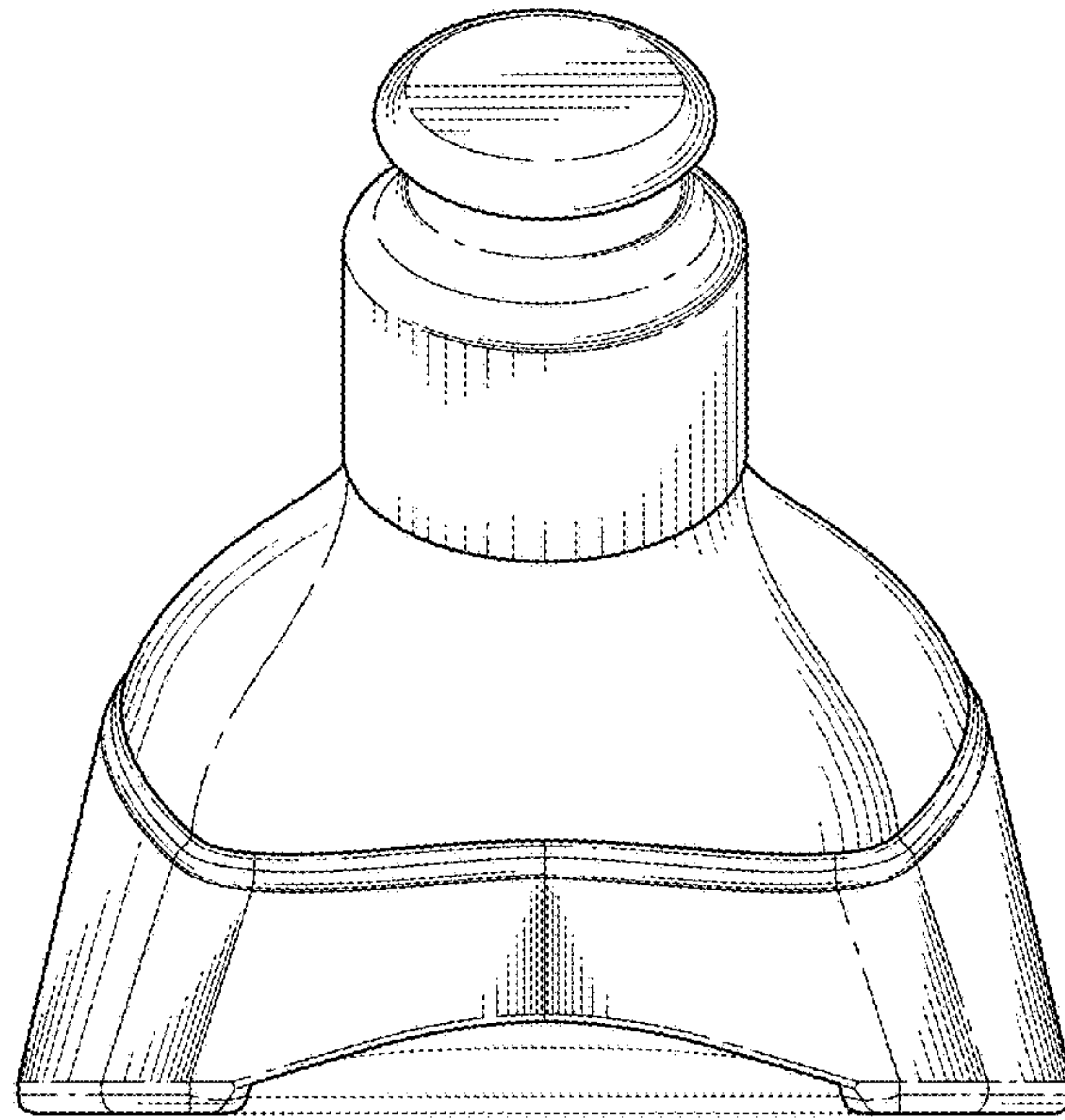


FIG. 2

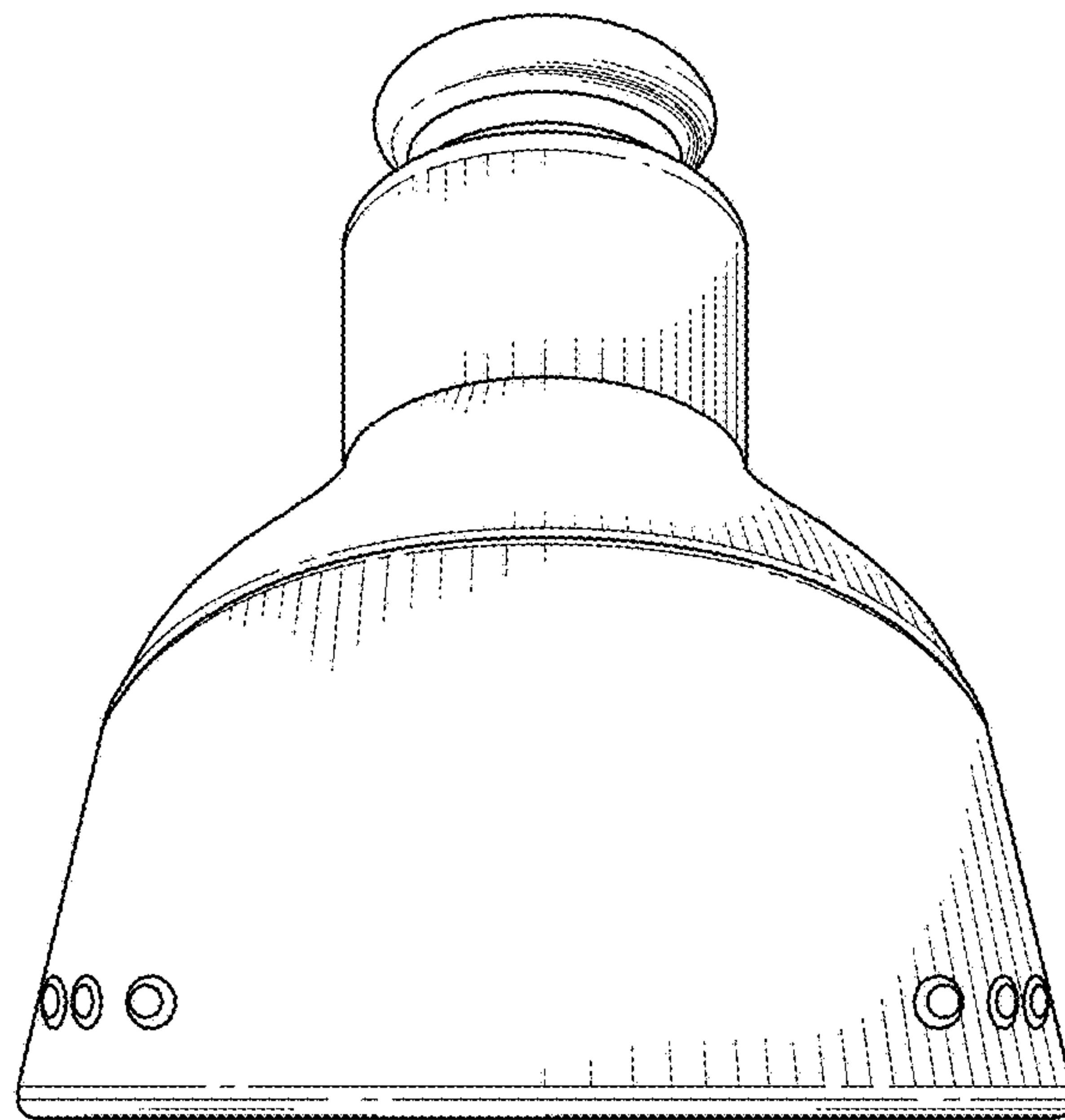


FIG. 3

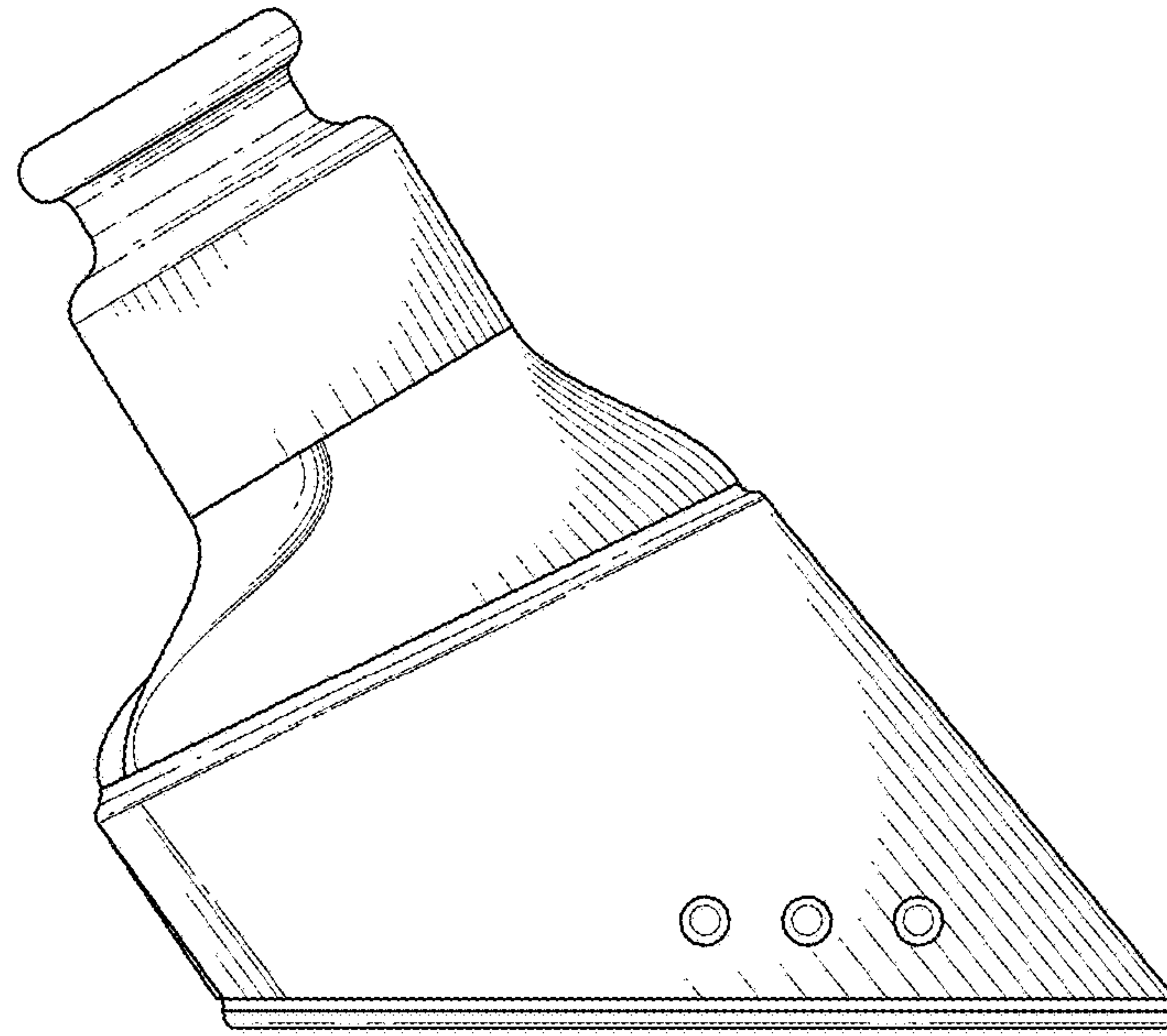


FIG. 4

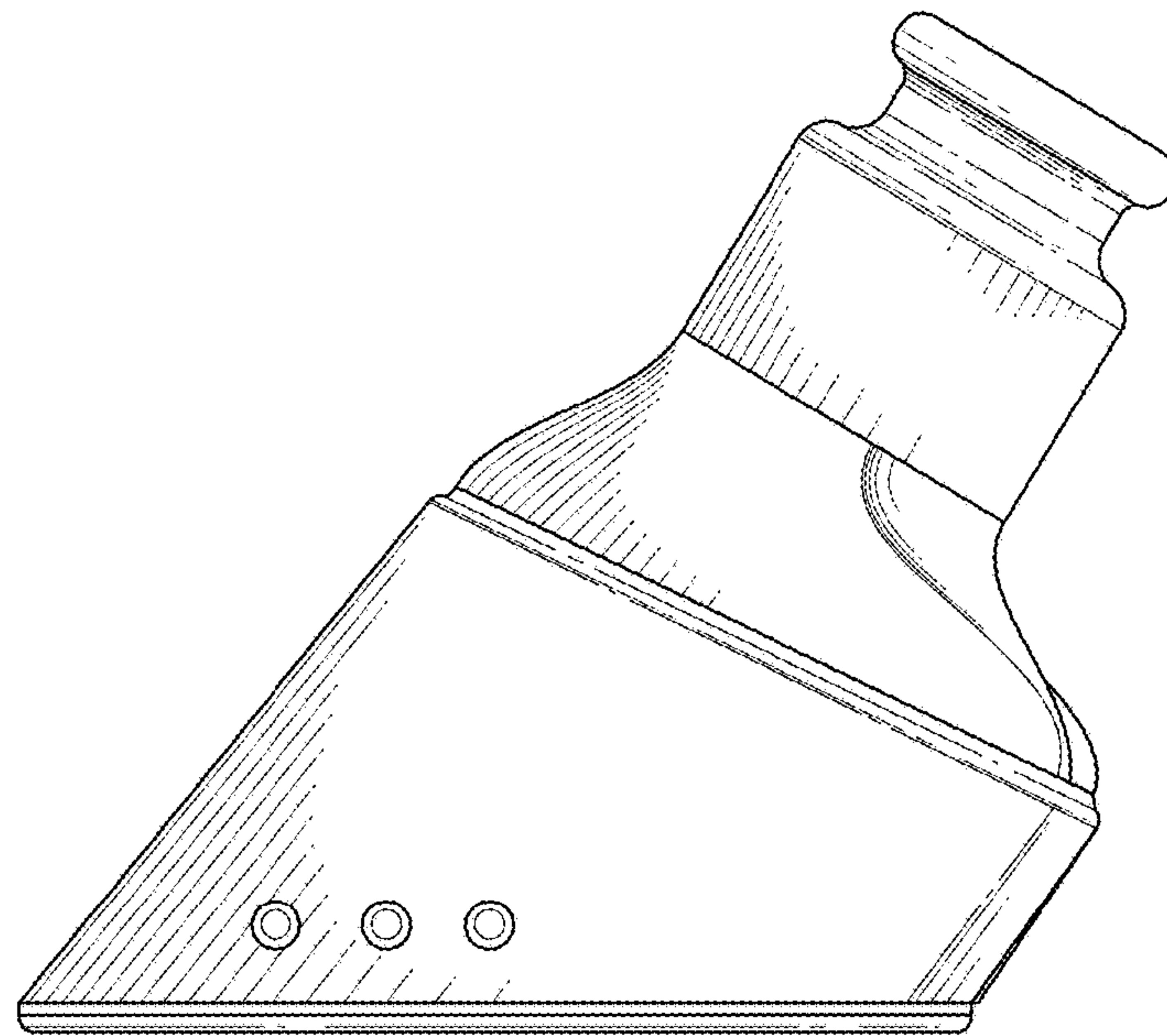


FIG. 5

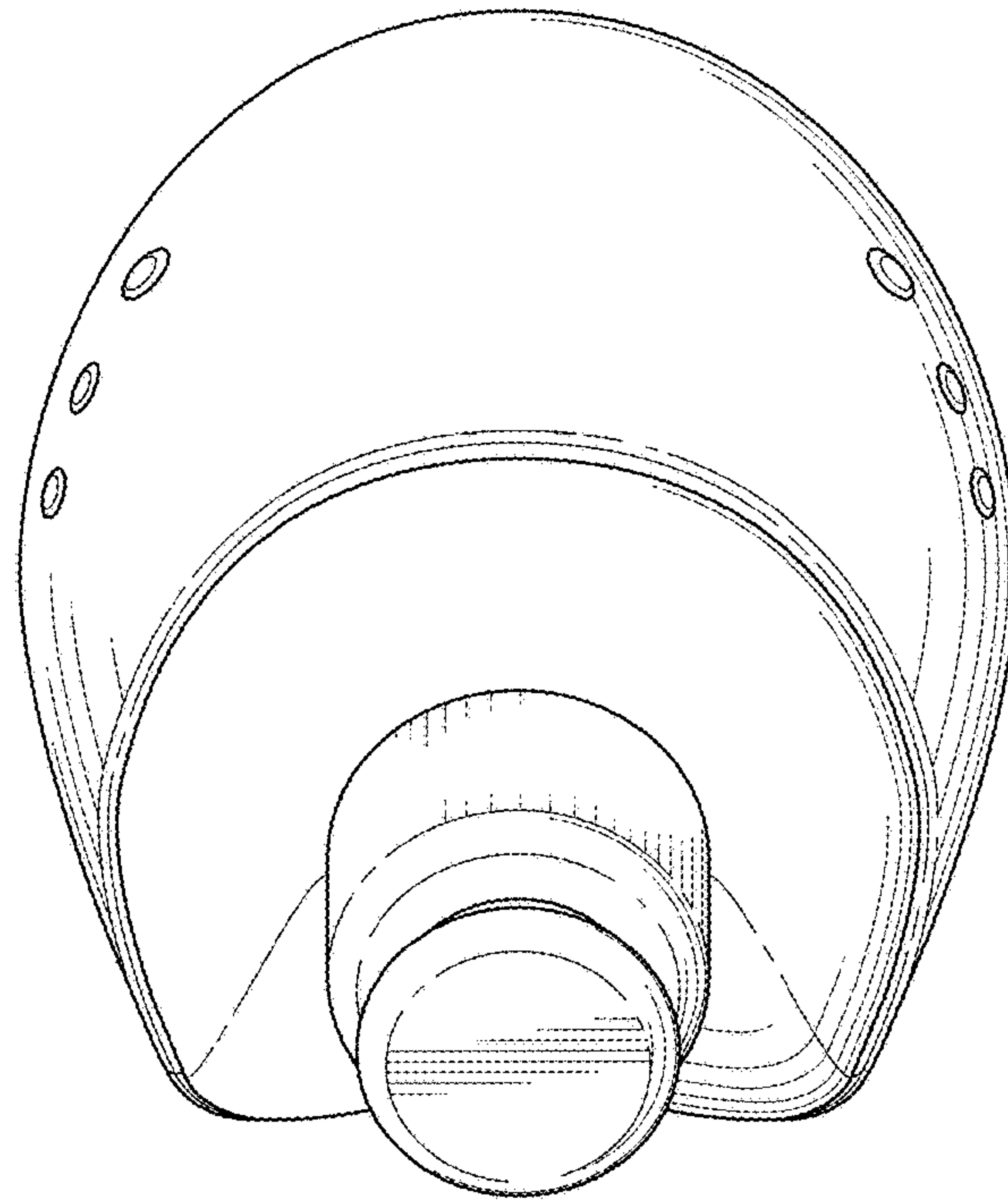


FIG. 6

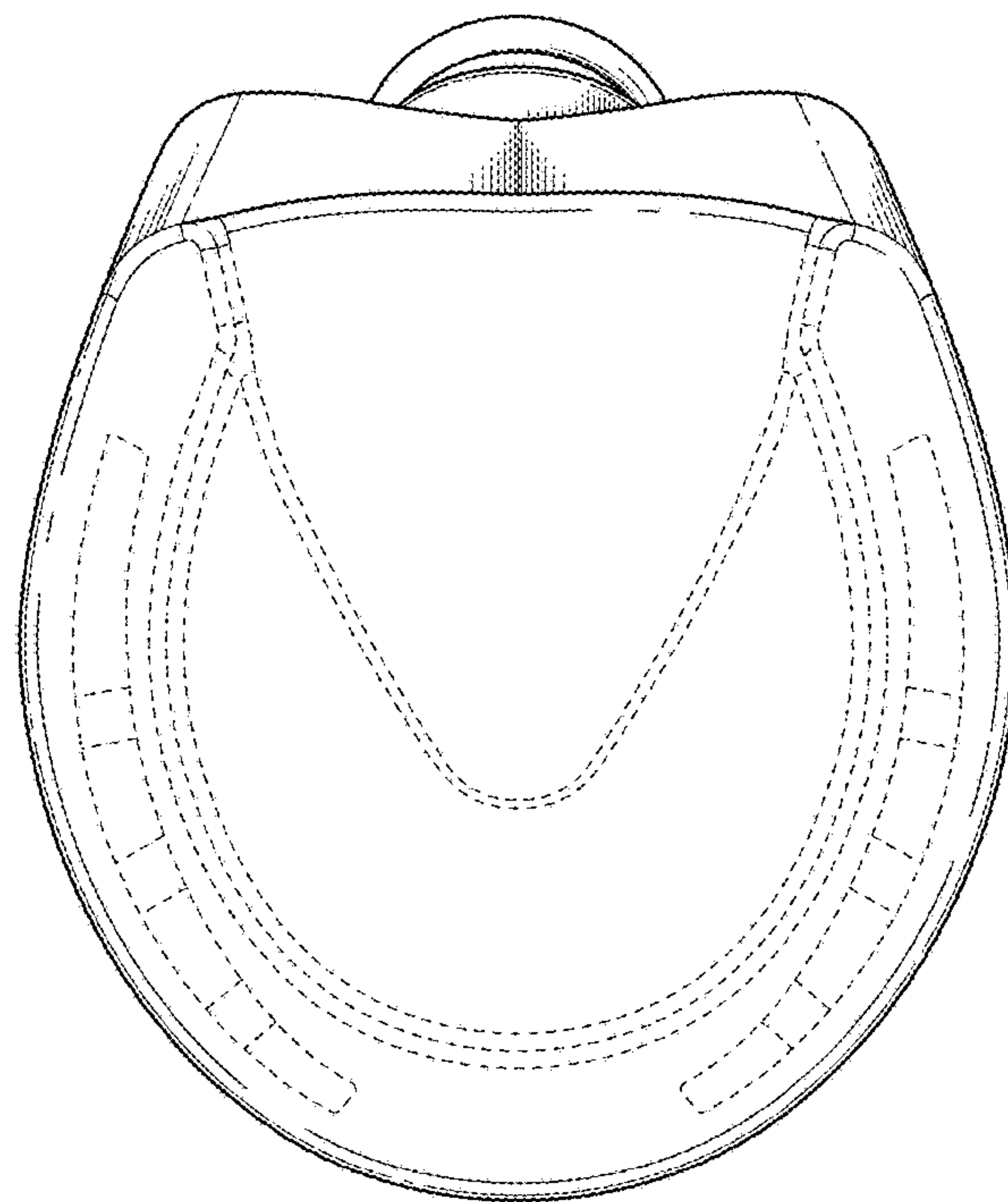


FIG. 7