



US00D846989S

(12) **United States Design Patent**  
**Jimenez et al.**

(10) **Patent No.:** **US D846,989 S**  
(45) **Date of Patent:** **\*\* Apr. 30, 2019**

(54) **CONTAINER**

(71) Applicant: **Owens-Brockway Glass Container Inc.**, Perrysburg, OH (US)

(72) Inventors: **Andres Jimenez**, Bogota (CO); **Martin Diaz**, Bogota (CO)

(73) Assignee: **Owens-Brockway Glass Container Inc.**, Perrysburg, OH (US)

(\*\*) Term: **15 Years**

(21) Appl. No.: **29/615,295**

(22) Filed: **Aug. 28, 2017**

(51) **LOC (11) Cl.** ..... **09-01**

(52) **U.S. Cl.**

USPC ..... **D9/516**; D9/500; D9/536; D9/545

(58) **Field of Classification Search**

USPC ..... D9/500, 503–505, 516, 530–531, D9/536–537, 539–540, 544–545, 549,

(Continued)

(56) **References Cited**

**U.S. PATENT DOCUMENTS**

1,814,659 A \* 7/1931 Barroll ..... A47J 36/14  
215/398

D118,500 S 1/1940 Lewis  
(Continued)

**FOREIGN PATENT DOCUMENTS**

EM 003477322-0001 11/2016

**OTHER PUBLICATIONS**

Chile Office Action, Serial No. 201800049, Applicant: Owens-Brockway Glass Container Inc., dated Jul. 19, 2018.

(Continued)

*Primary Examiner* — Dana Meyrow

(57) **CLAIM**

We claim an ornamental design for a container, as shown and described.

**DESCRIPTION**

FIG. 1 is an upper perspective view of a container in accordance with an illustrative embodiment of our new claimed design.

FIG. 2 is a right side view of the container in FIG. 1, the left side view being a mirror image of FIG. 2.

FIG. 3 is a top view of the container in FIG. 1.

FIG. 4 is a rear view of the container in FIG. 1.

FIG. 5 is a front view of the container in FIG. 1.

FIG. 6 is a bottom view of the container in FIG. 1.

FIG. 7 is an upper perspective view of a container in accordance with another illustrative embodiment of our new claimed design.

FIG. 8 is a right side view of the container in FIG. 7, the left side view being a mirror image of FIG. 8.

FIG. 9 is a top view of the container in FIG. 7.

FIG. 10 is a rear view of the container in FIG. 7.

FIG. 11 is a front view of the container in FIG. 7.

FIG. 12 is a bottom view of the container in FIG. 7.

FIG. 13 is an upper perspective view of a container in accordance with an additional illustrative embodiment of our new claimed design.

FIG. 14 is a right side view of the container in FIG. 13, the left side view being a mirror image of FIG. 14.

FIG. 15 is a top view of the container in FIG. 13.

FIG. 16 is a rear view of the container in FIG. 13.

FIG. 17 is a front view of the container in FIG. 13.

FIG. 18 is a bottom view of the container in FIG. 13.

FIG. 19 is an upper perspective view of a container in accordance with a further illustrative embodiment of our new claimed design.

FIG. 20 is a right side view of the container in FIG. 19, the left side view being a mirror image of FIG. 20.

FIG. 21 is a top view of the container in FIG. 19.

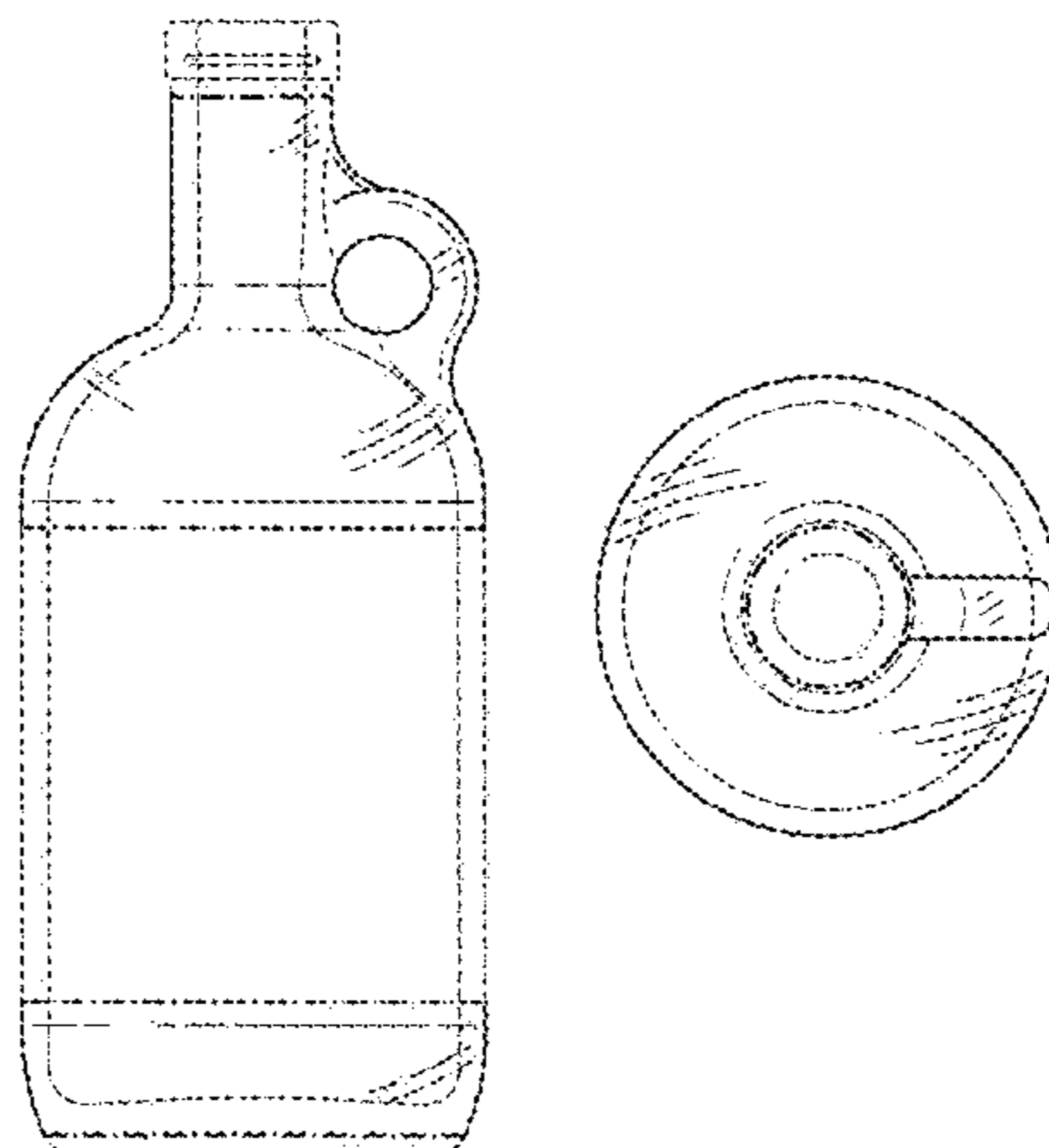
FIG. 22 is a rear view of the container in FIG. 19.

FIG. 23 is a front view of the container in FIG. 19; and,

FIG. 24 is a bottom view of the container in FIG. 19.

The evenly-dashed broken lines in the drawings illustrate the portions of the container that form no part of the claim. The

(Continued)



dot-dash broken lines in the drawings define the bounds of the claim and form no part thereof. In Embodiments 3 & 4 the breaks in the container sidewall shown by dot-dash boundary lines, the brackets between those breaks and any portion of the container between the break in the sidewall also form no part of the claimed design.

**1 Claim, 8 Drawing Sheets**

**(58) Field of Classification Search**

USPC ..... D9/575, 715, 719, 548; D7/509–511,  
D7/536, 300, 320, 608  
CPC ..... B65D 1/00; B65D 1/02; B65D 1/0223;  
B65D 23/00; B65D 81/00; B65D  
2501/00; B65D 2501/0009

See application file for complete search history.

**(56) References Cited**

U.S. PATENT DOCUMENTS

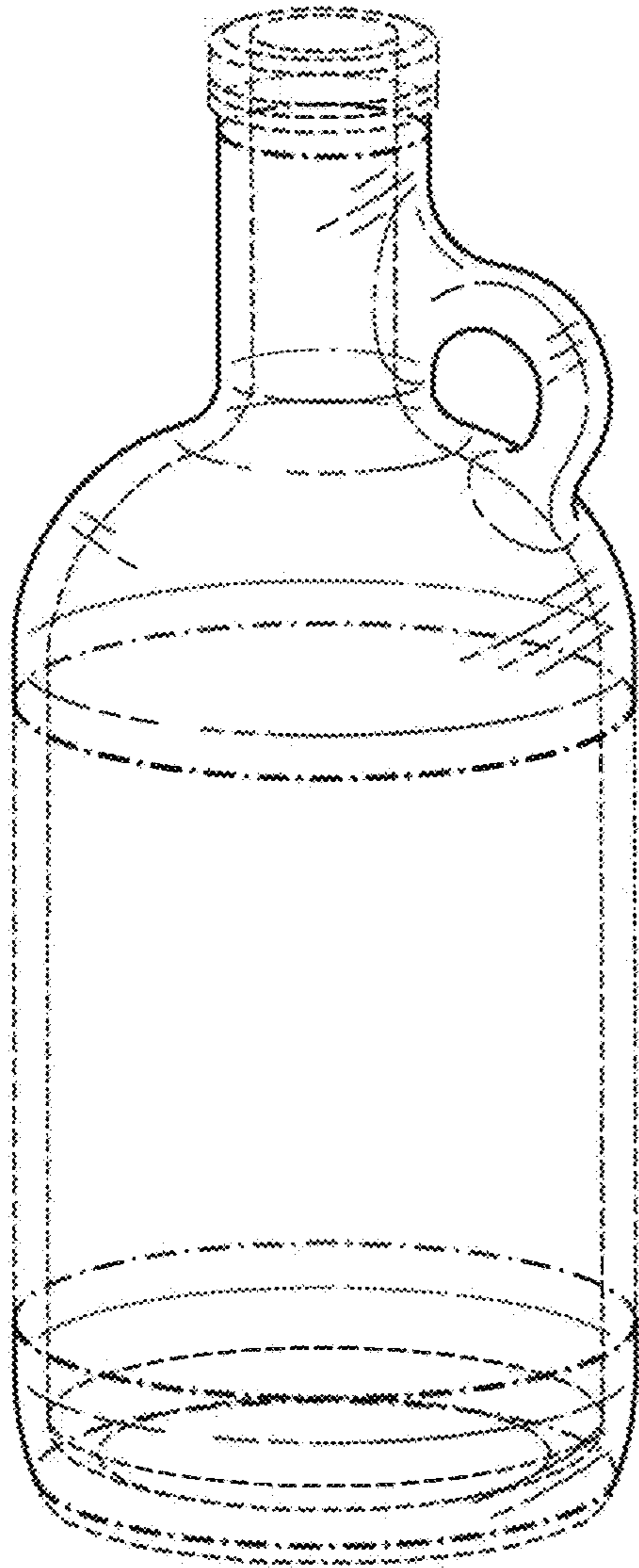
2,498,074 A \* 2/1950 Feldman ..... B29C 44/56  
206/527  
D238,143 S \* 12/1975 Bay ..... D9/500  
D254,596 S 4/1980 Spigelman  
D353,324 S 12/1994 Rice, III  
D403,968 S 1/1999 DeVore  
D452,442 S 12/2001 Bowen  
D470,057 S 2/2003 Bowen  
D545,205 S 6/2007 Rica  
D545,209 S 6/2007 Batliner  
D546,183 S 7/2007 Clutter

D548,604 S 8/2007 Rica  
D555,489 S 11/2007 Corrado  
D564,883 S 3/2008 Rica  
D602,368 S 10/2009 Rica  
D606,409 S 12/2009 Rica  
D635,857 S 4/2011 Lauret  
D643,300 S 4/2011 Beckerman  
D652,310 S 1/2012 Hartford  
D676,328 S \* 2/2013 Yourist ..... D9/531  
D680,435 S 4/2013 Wanet  
D682,697 S 5/2013 Gonzalez Rodriguez  
D688,948 S 9/2013 Gonzalez Rodriguez  
D691,894 S 10/2013 Marshall et al.  
D698,647 S 2/2014 Maillet et al.  
D699,118 S \* 2/2014 Yourist ..... D9/531  
D699,584 S \* 2/2014 Hall ..... D9/531  
D709,771 S 7/2014 Letamendi  
D717,171 S 11/2014 Delacourt et al.  
D721,964 S 2/2015 Rampley  
D740,123 S 10/2015 Tremblay  
D743,259 S 11/2015 Delacourt et al.  
D756,795 S 5/2016 Maillet et al.  
D766,092 S 9/2016 Maillet et al.  
D787,332 S 5/2017 Peneda  
D789,203 S 6/2017 Englert et al.  
D804,317 S \* 12/2017 Lauret ..... D9/536  
D808,271 S \* 1/2018 Weyer ..... D9/531  
D808,272 S \* 1/2018 Thompson ..... D9/536  
D833,819 S \* 11/2018 Englert ..... D7/511

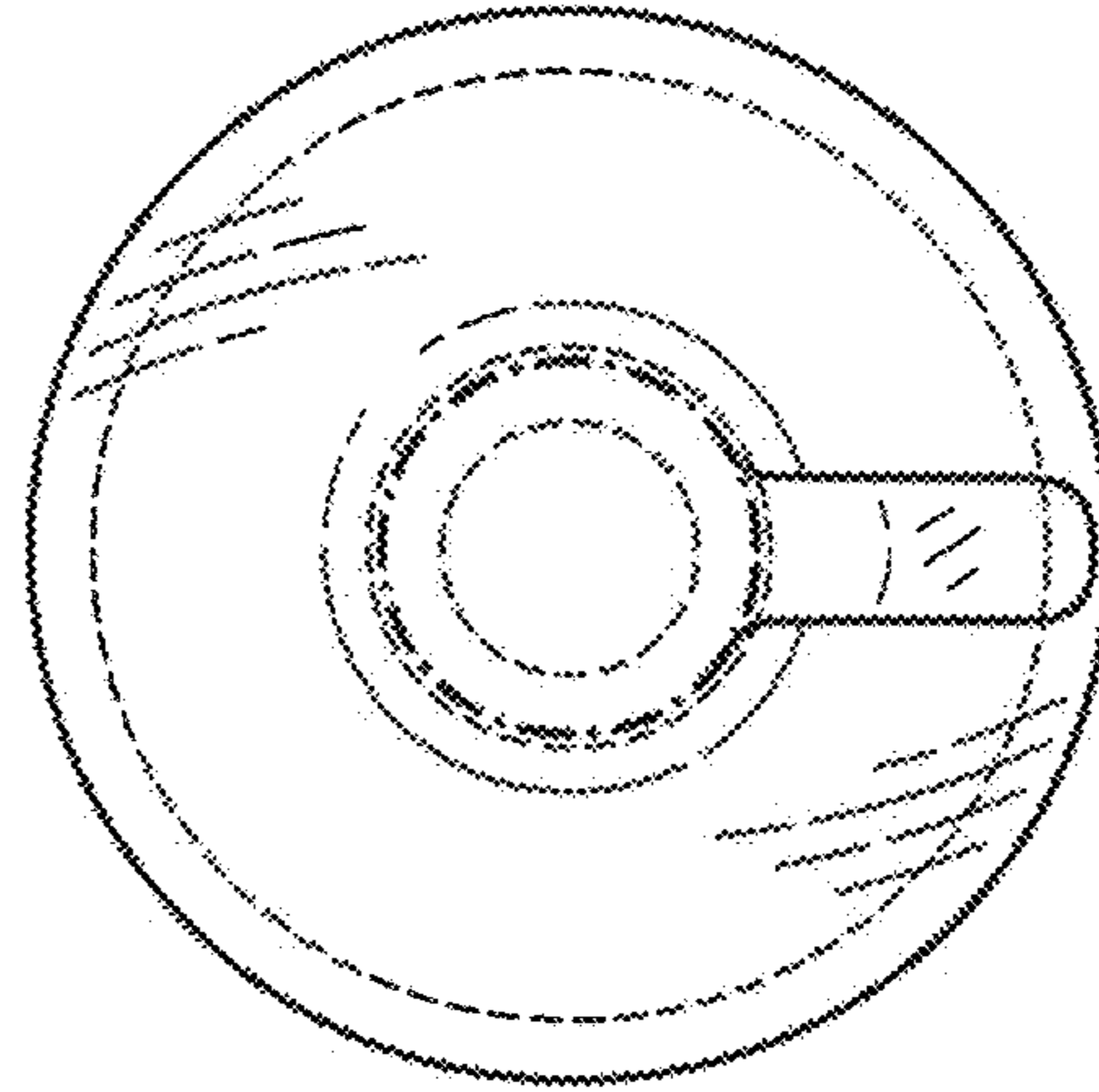
OTHER PUBLICATIONS

Chilean Written Opinion, Chile Application No. 201800049, Applicant: Owens-Brockway Glass Container Inc., dated Nov. 5, 2018.

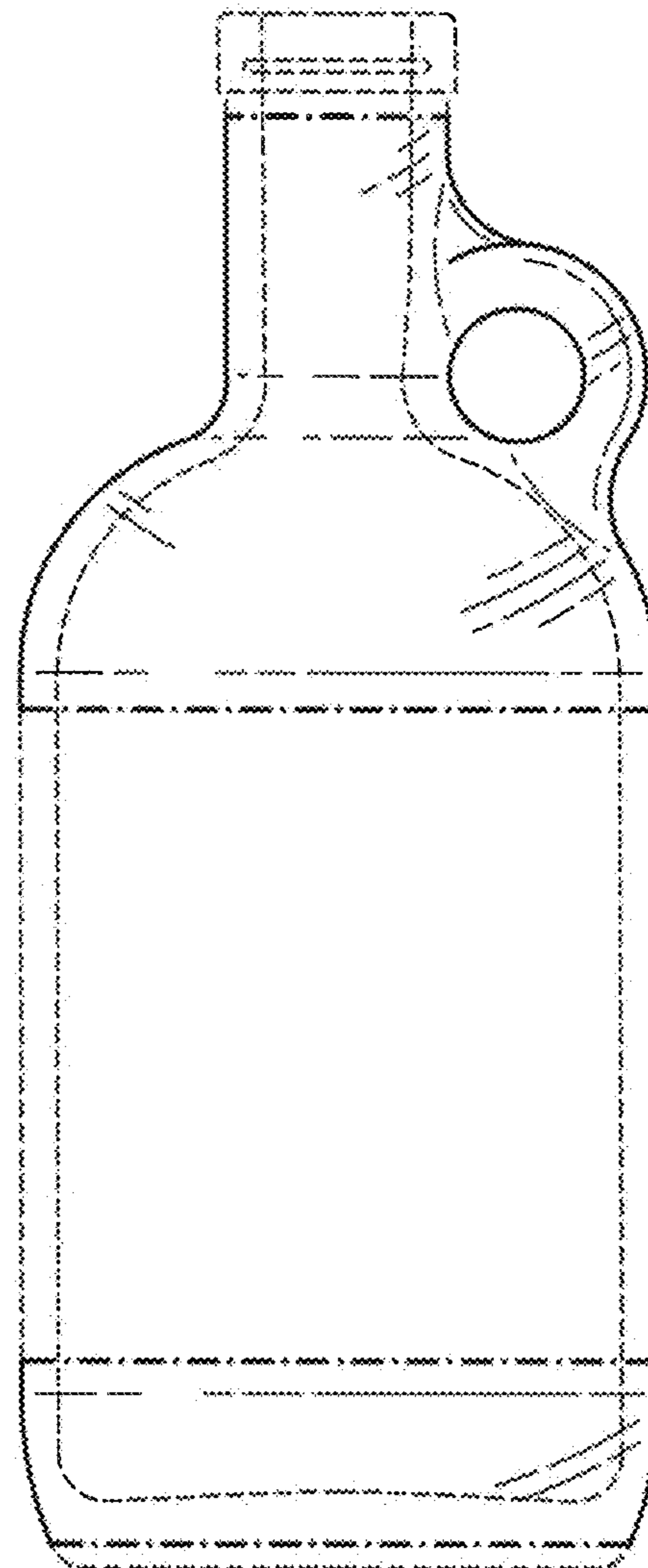
\* cited by examiner



**FIG. 1**

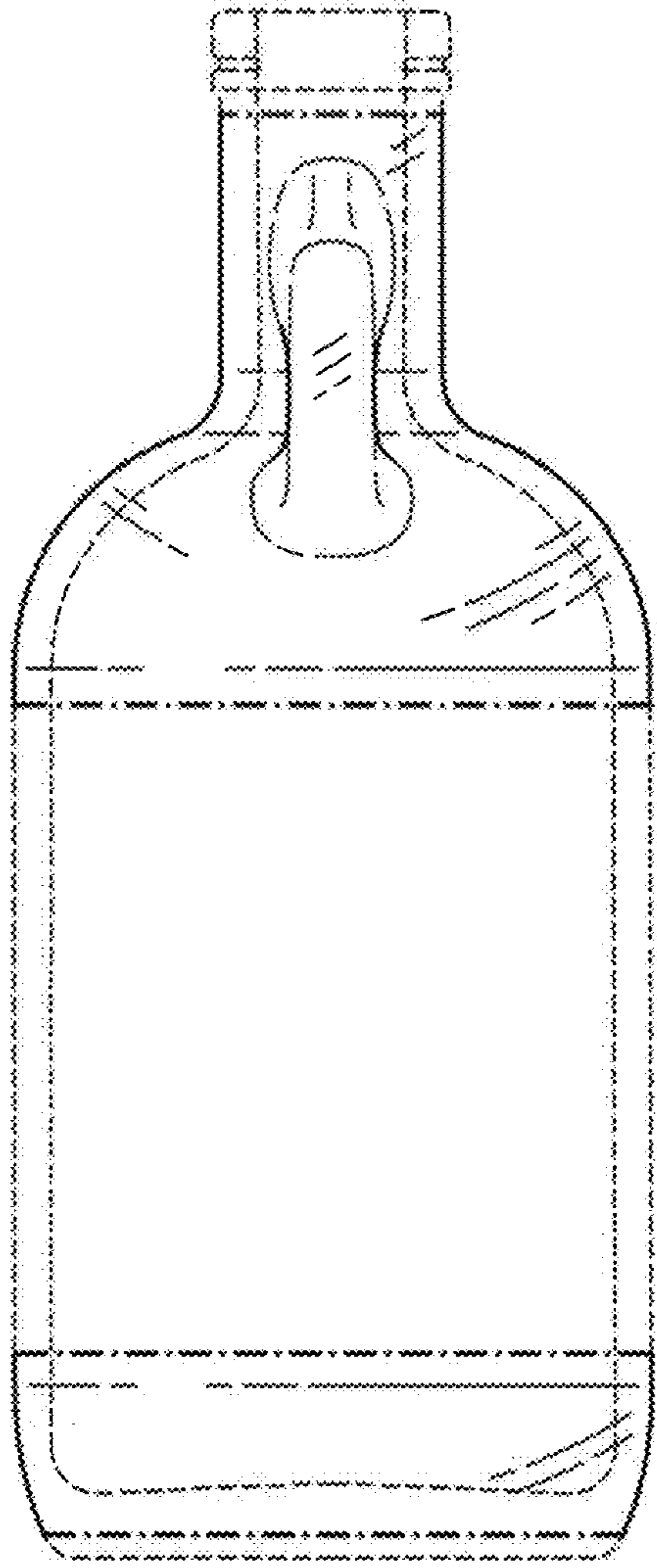


**FIG. 3**

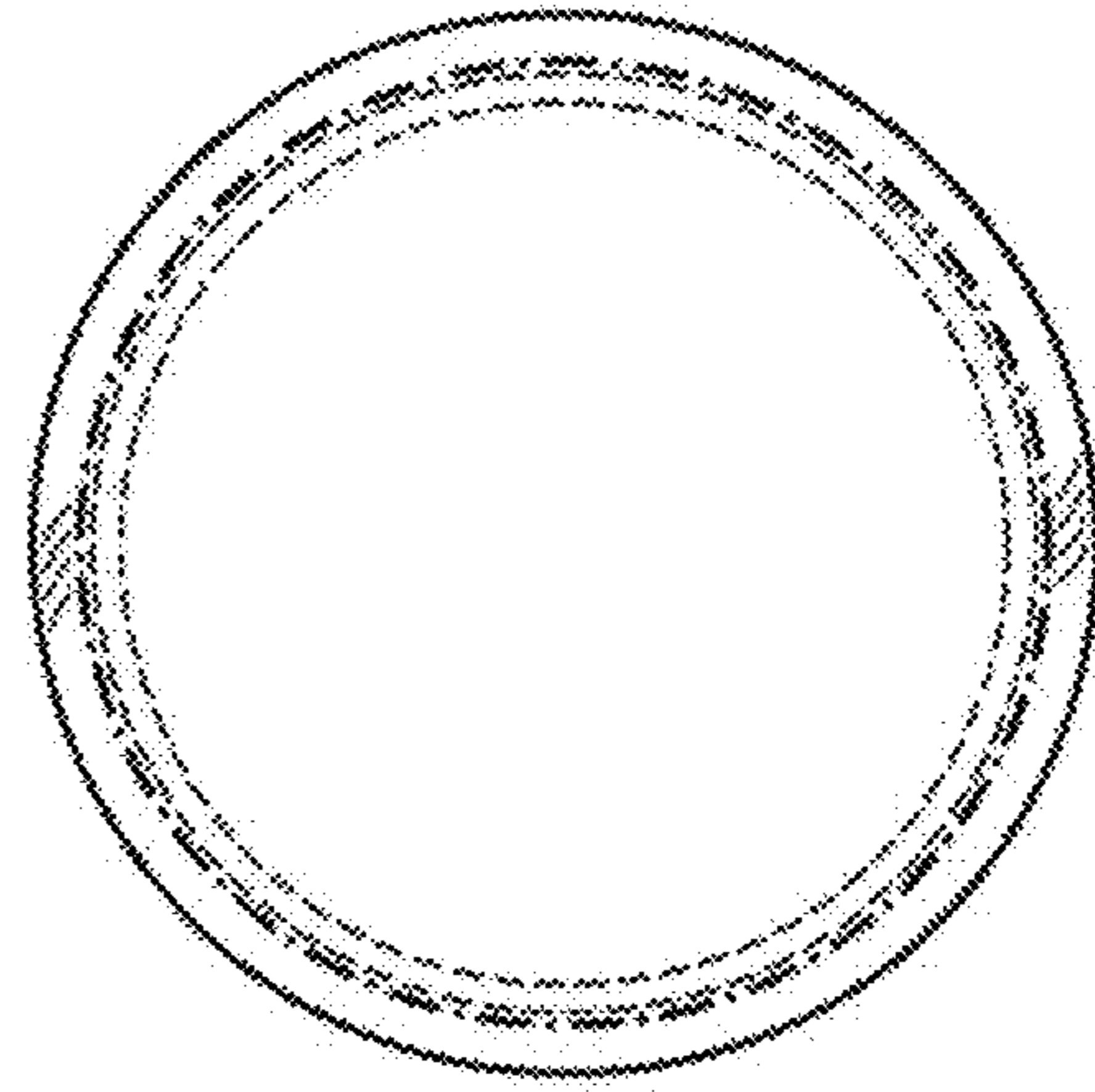


**FIG. 2**

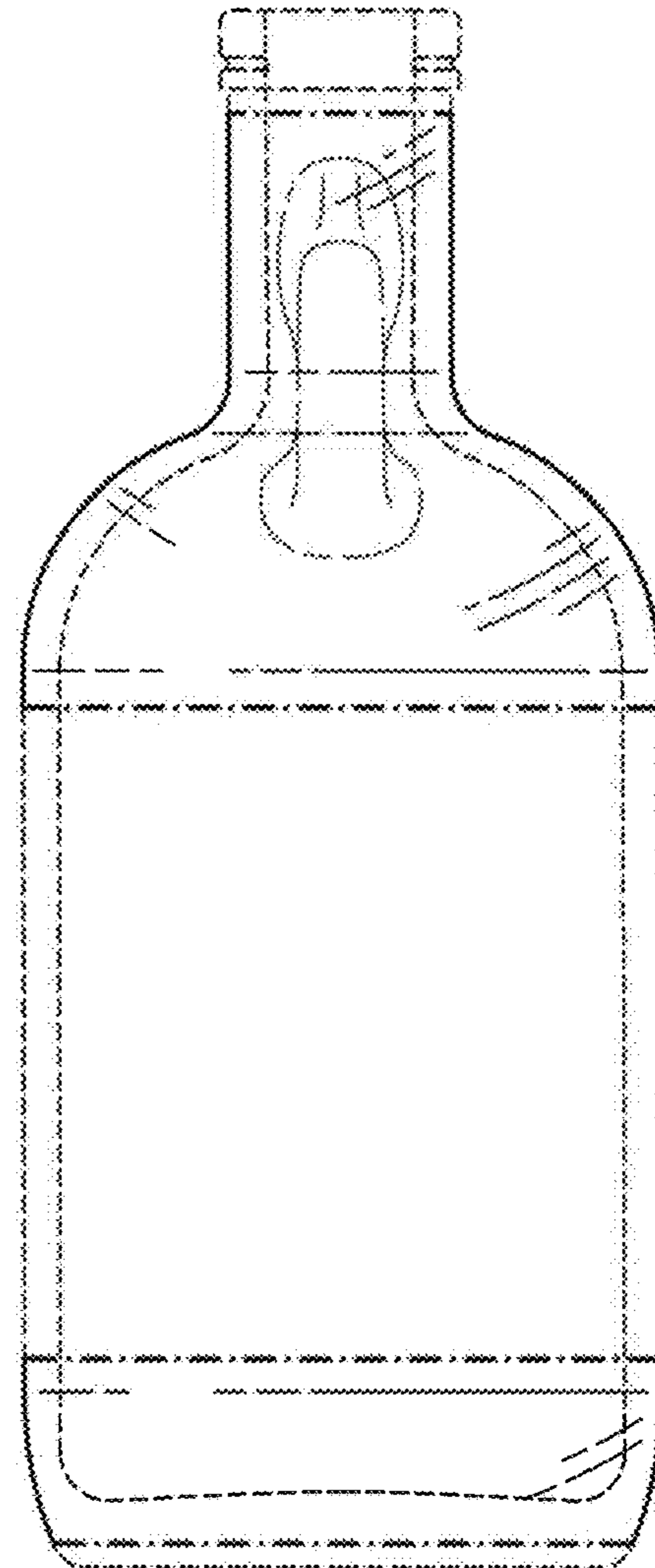




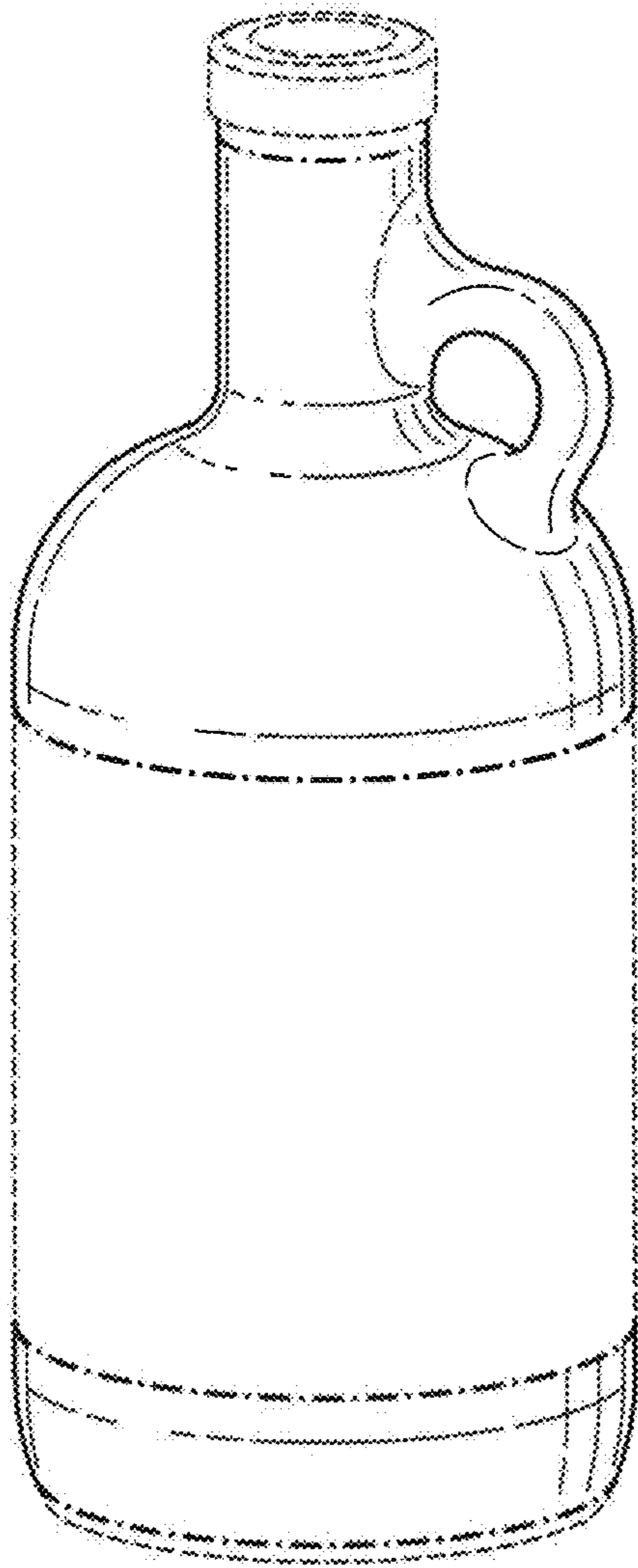
**FIG. 4**



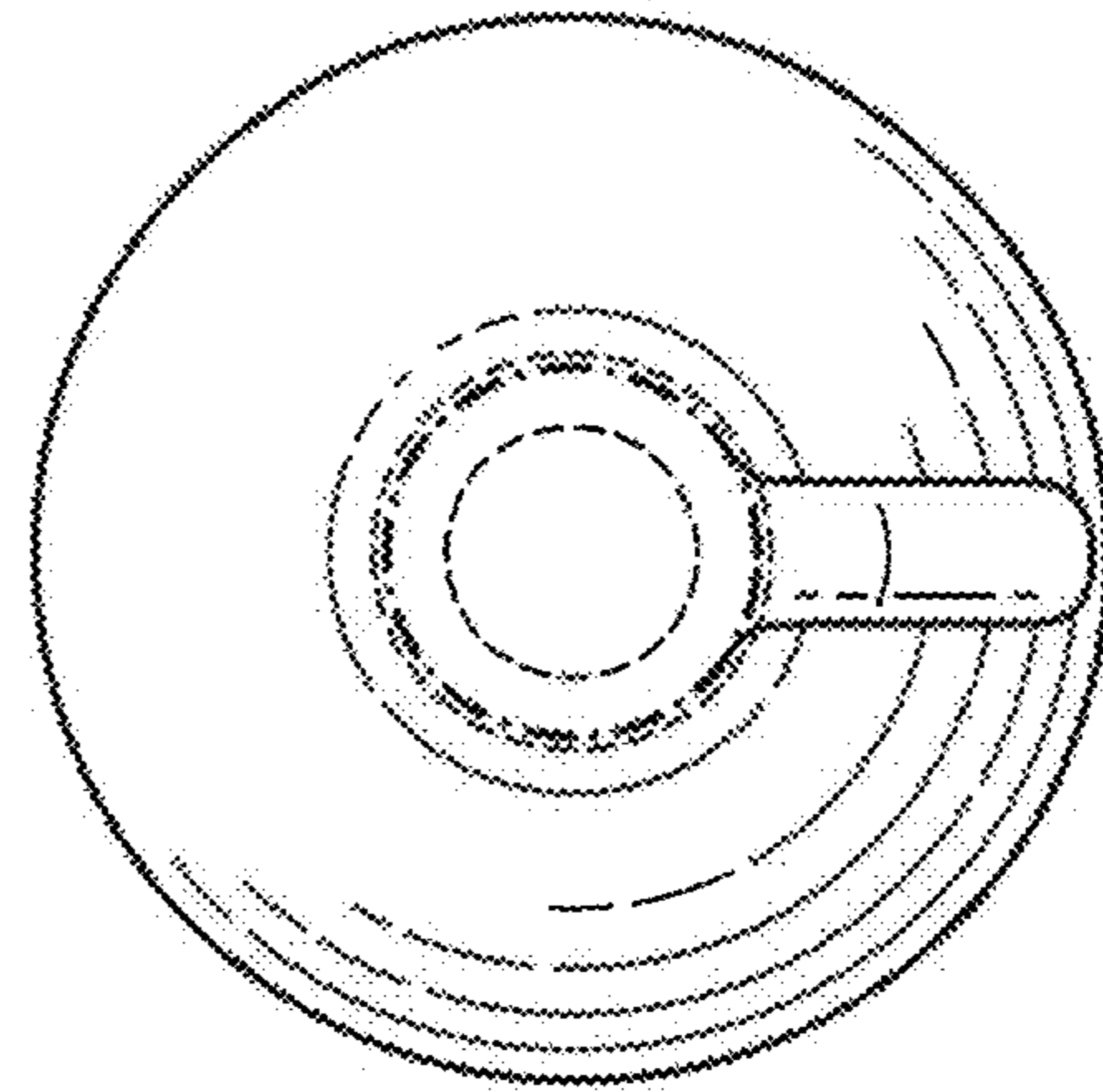
**FIG. 6**



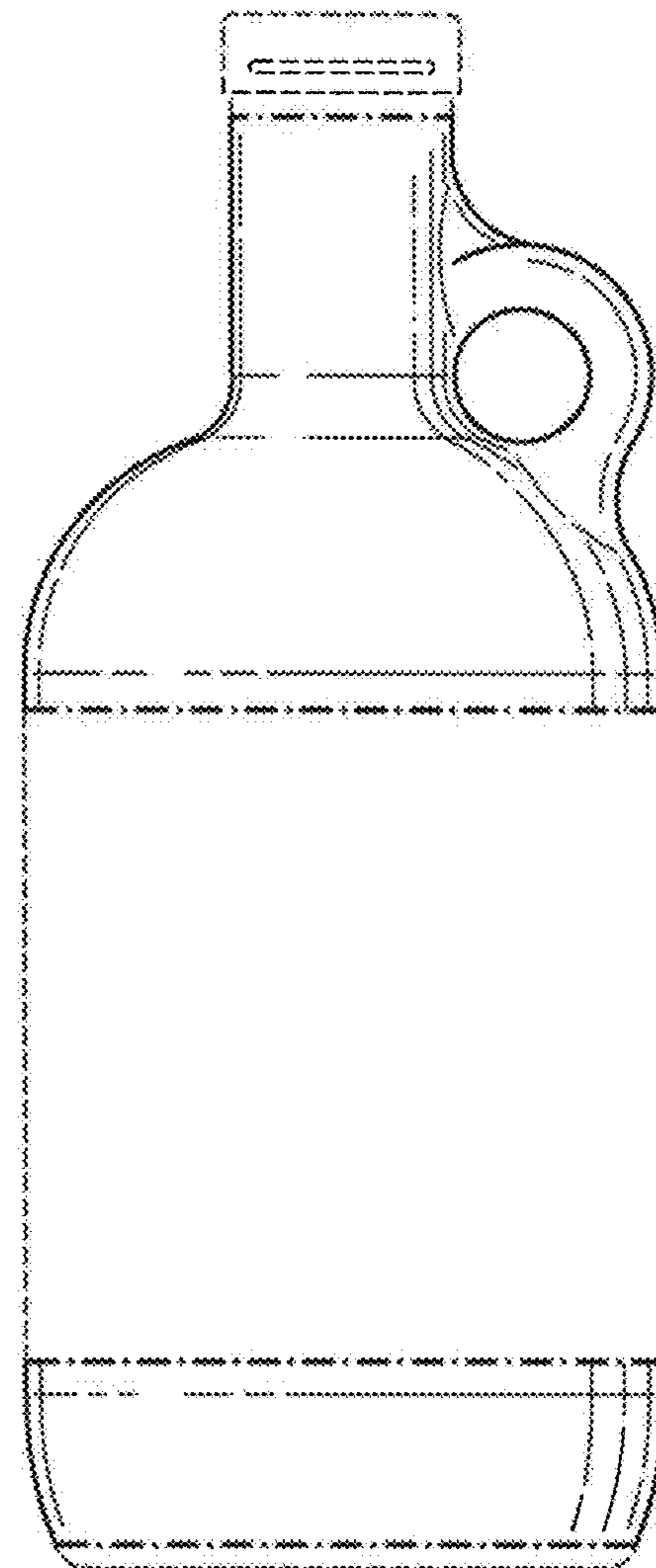
**FIG. 5**



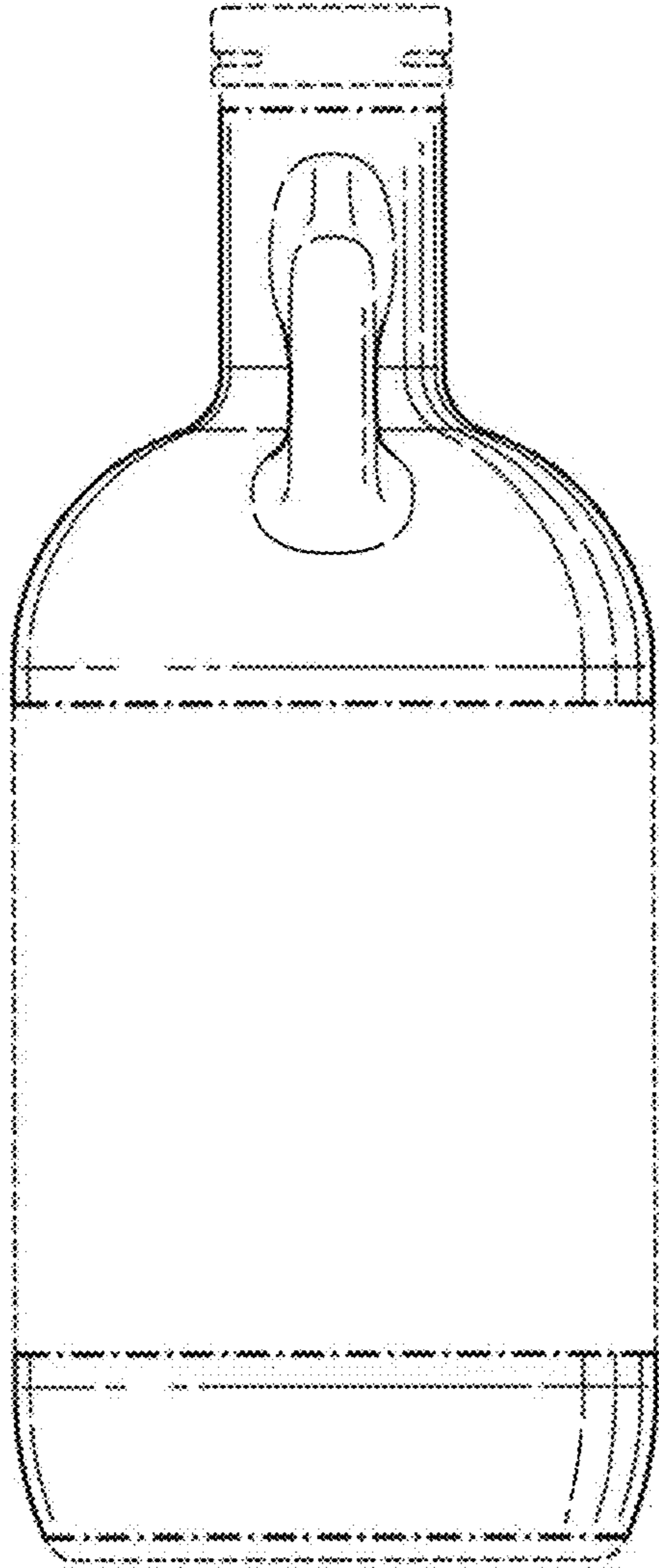
**FIG. 7**



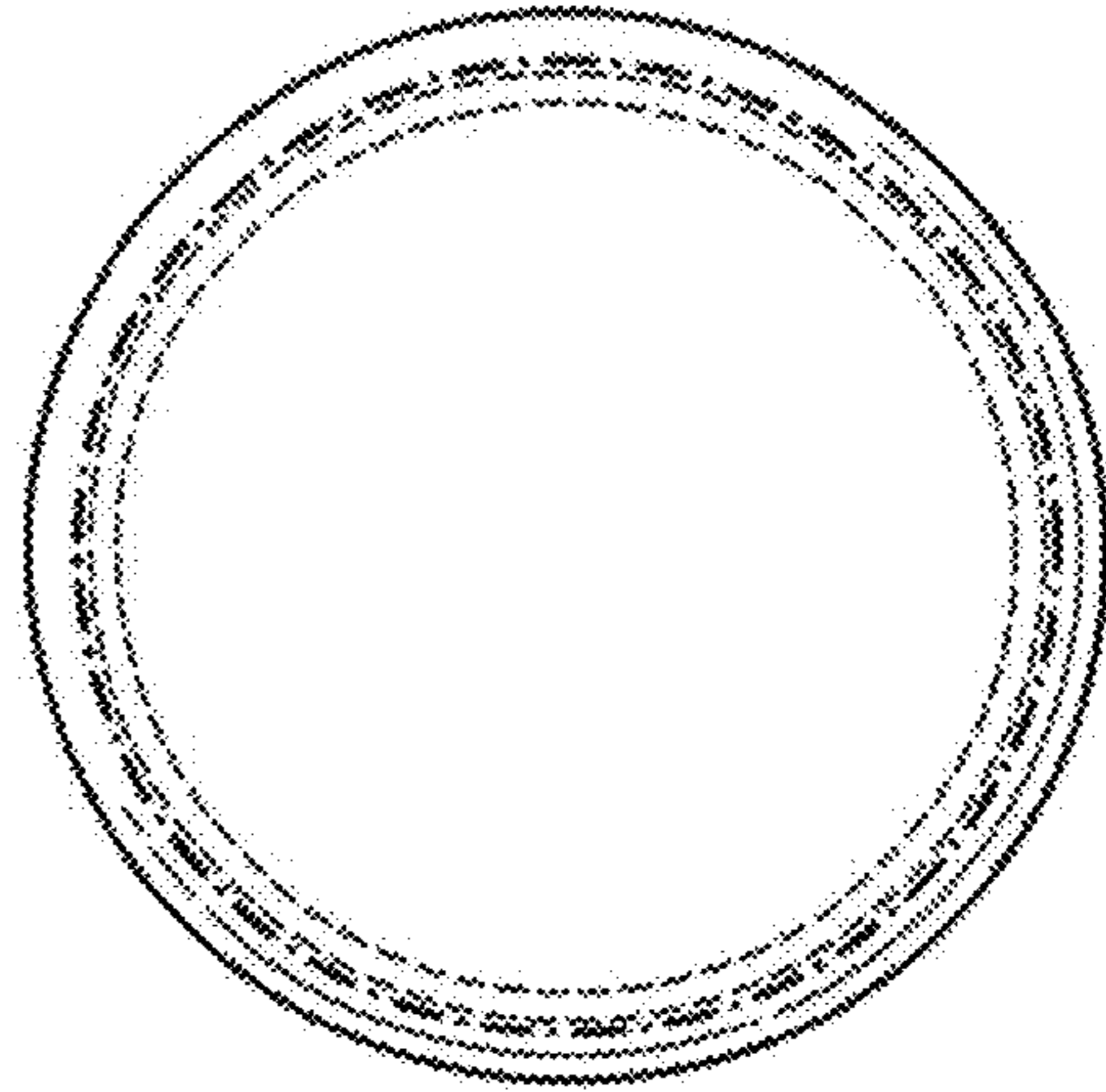
**FIG. 9**



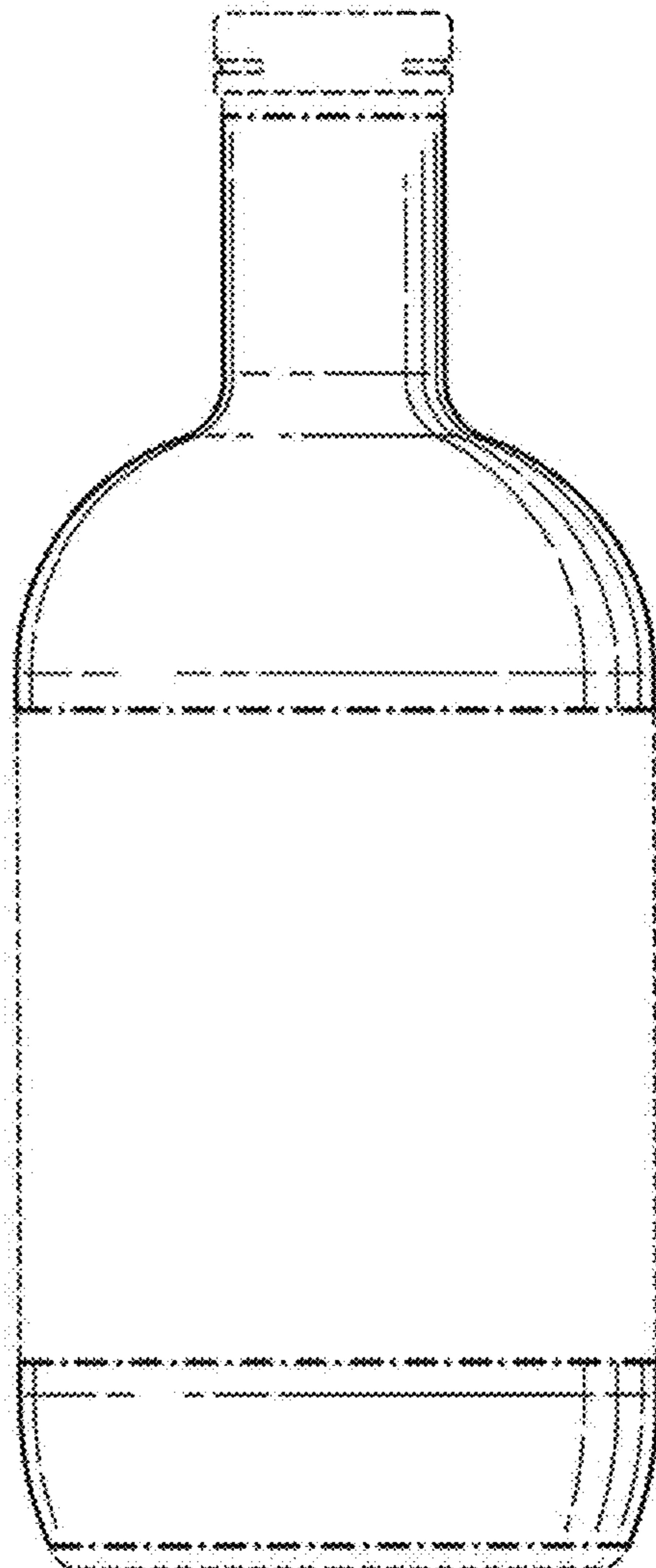
**FIG. 8**



**FIG. 10**

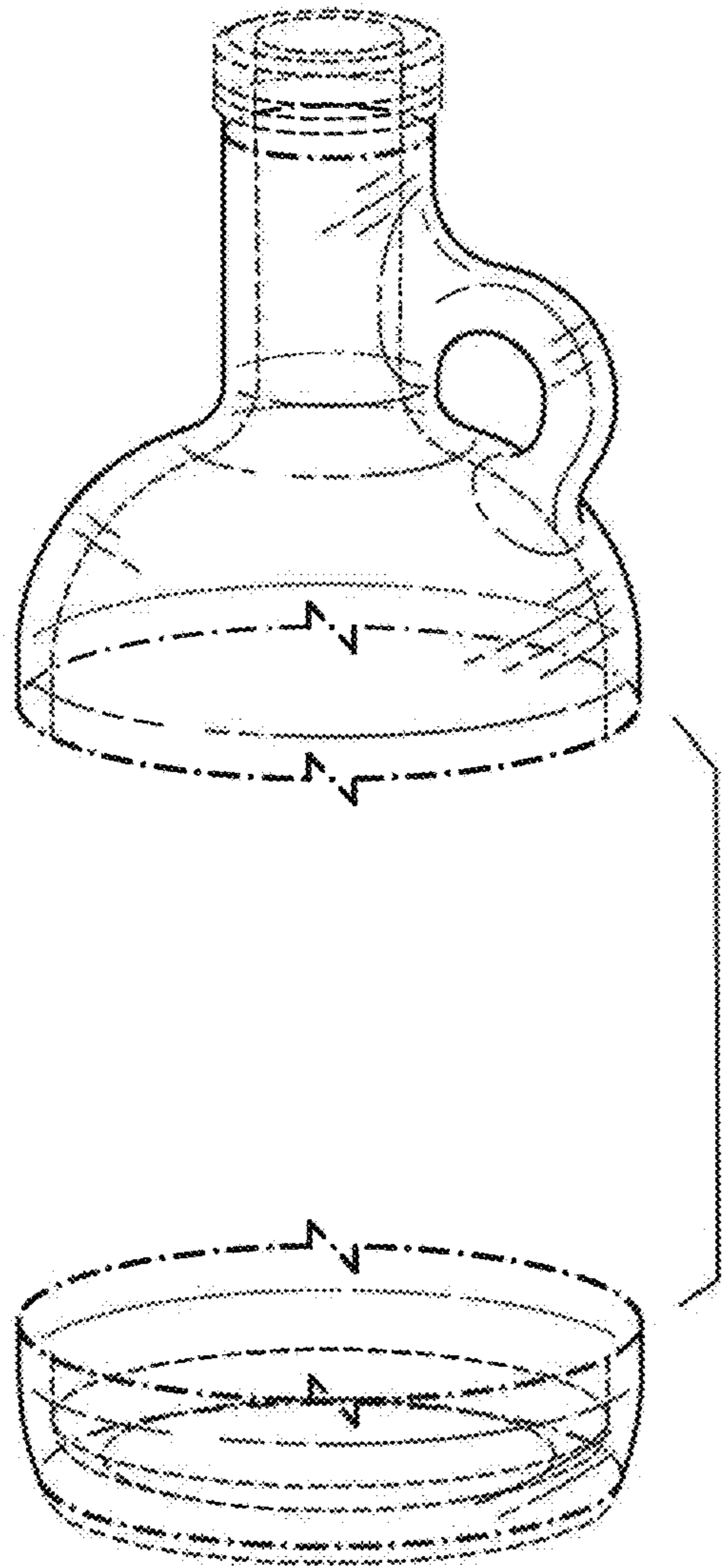


**FIG. 12**

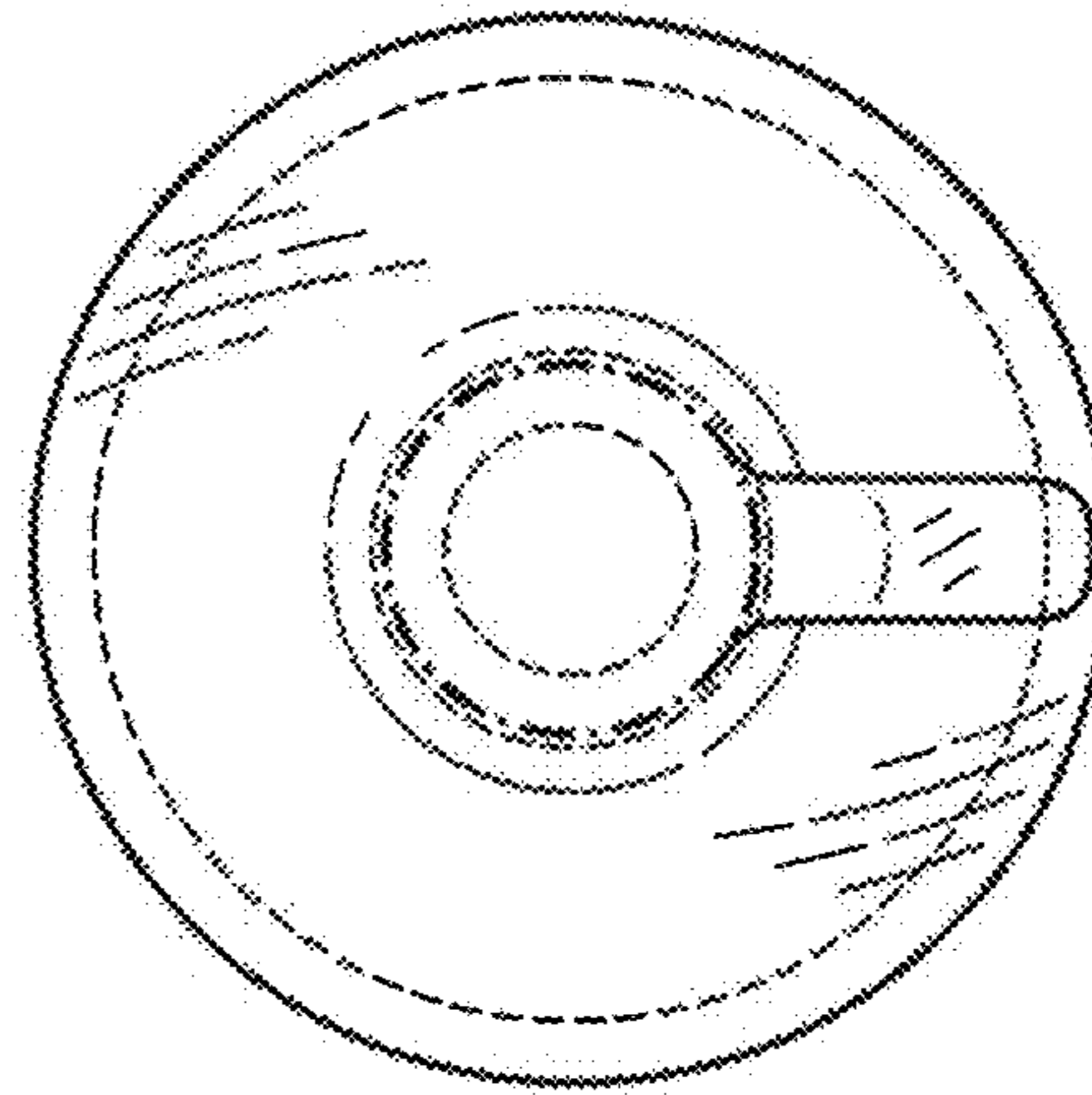


**FIG. 11**

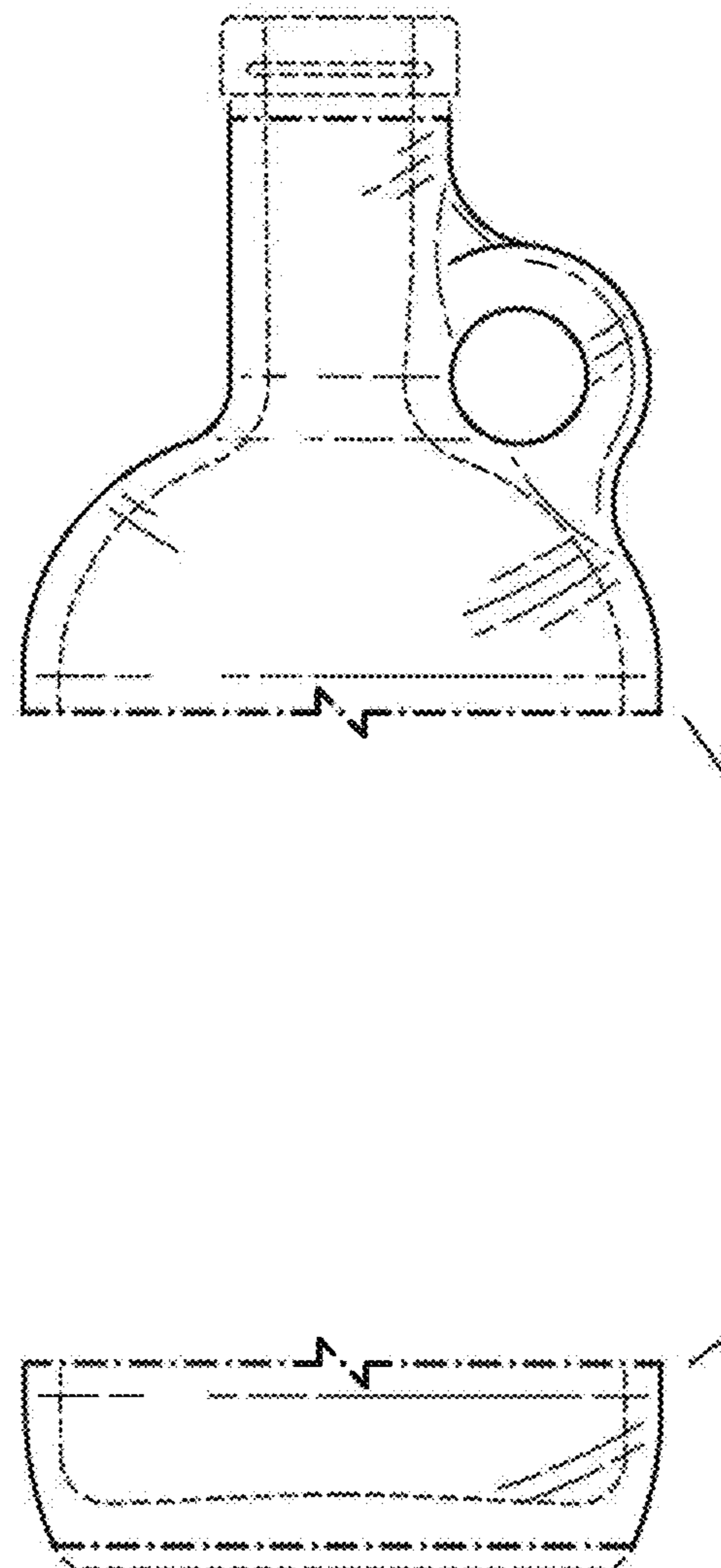




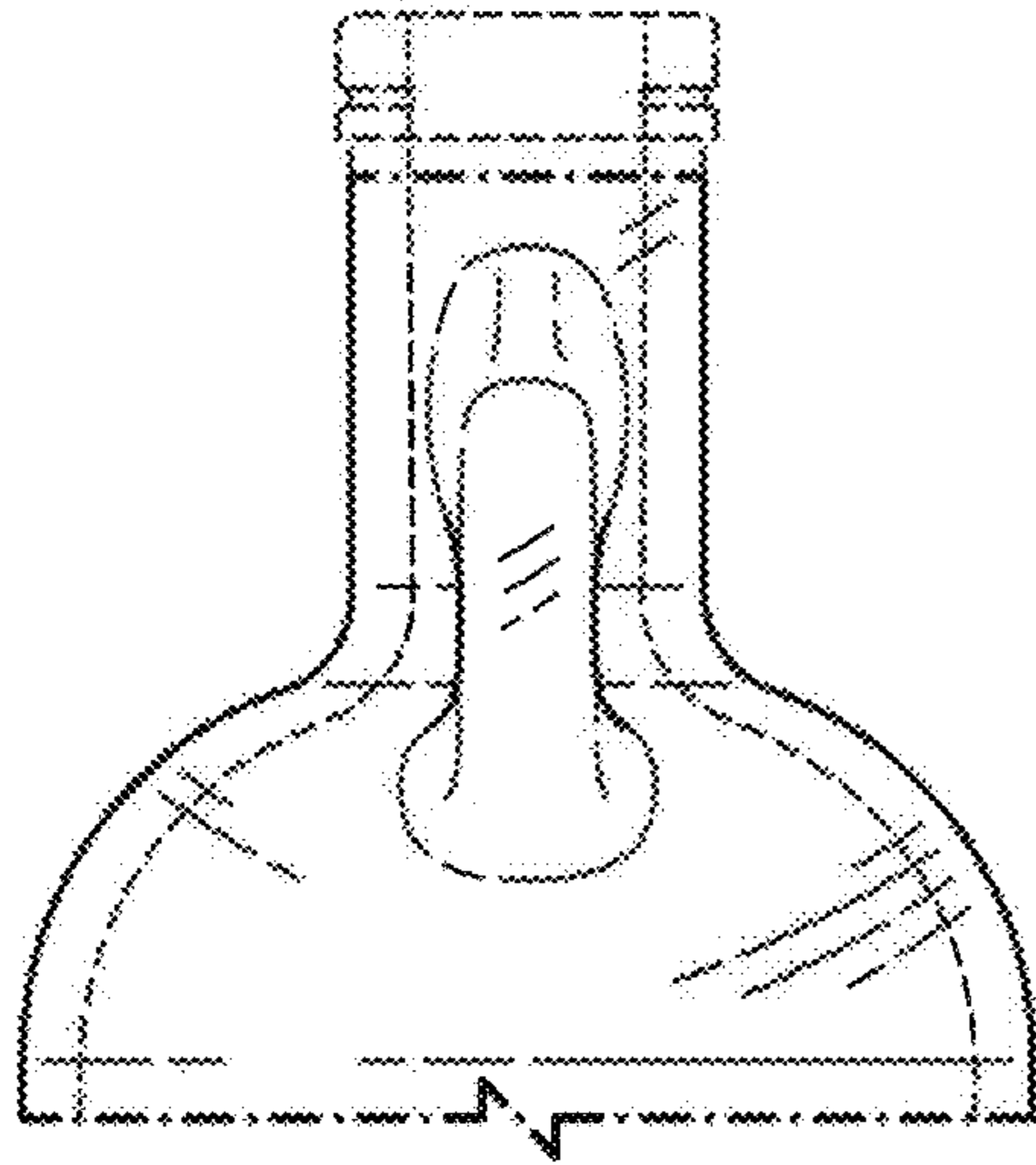
**FIG. 13**



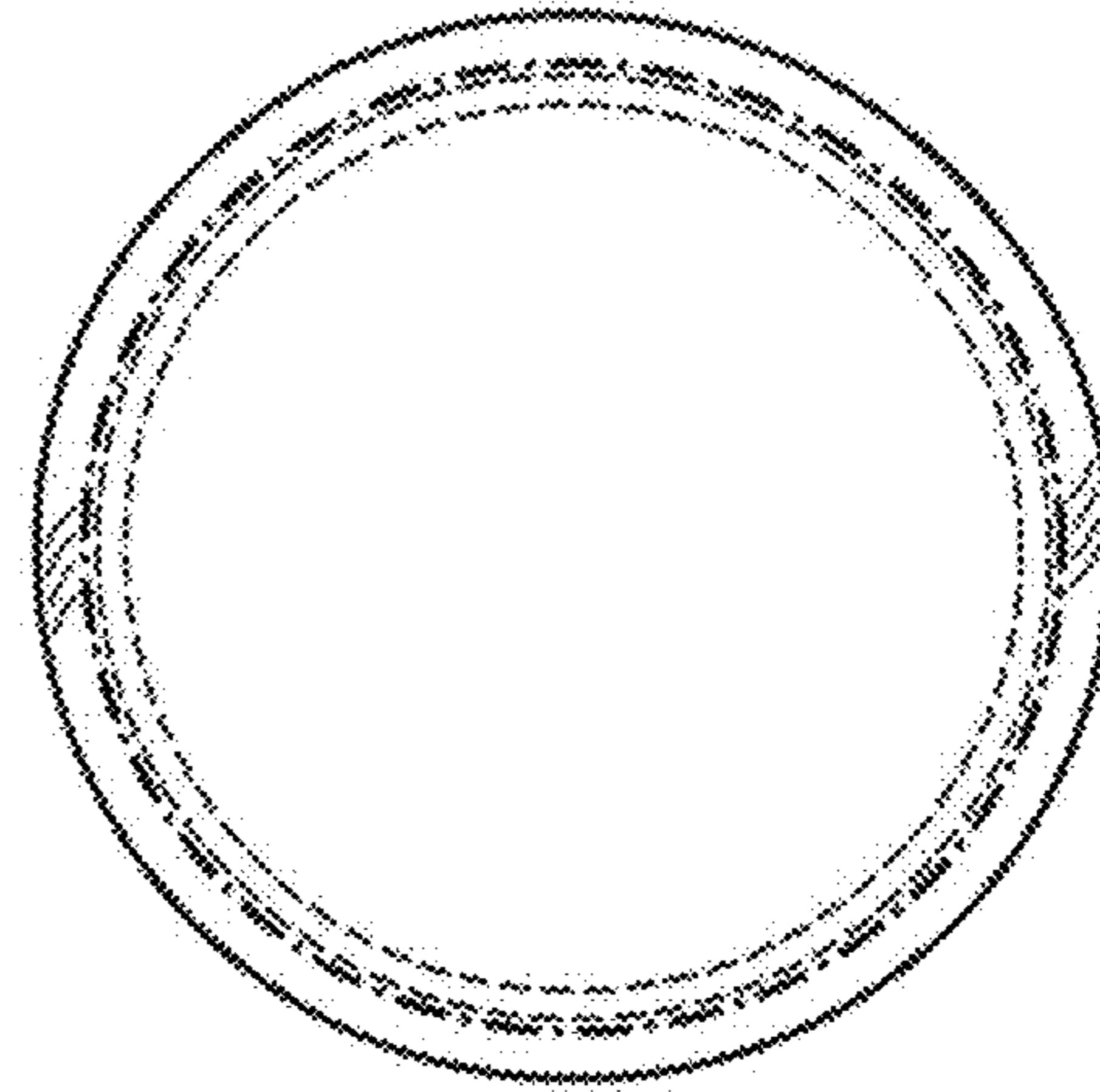
**FIG. 15**



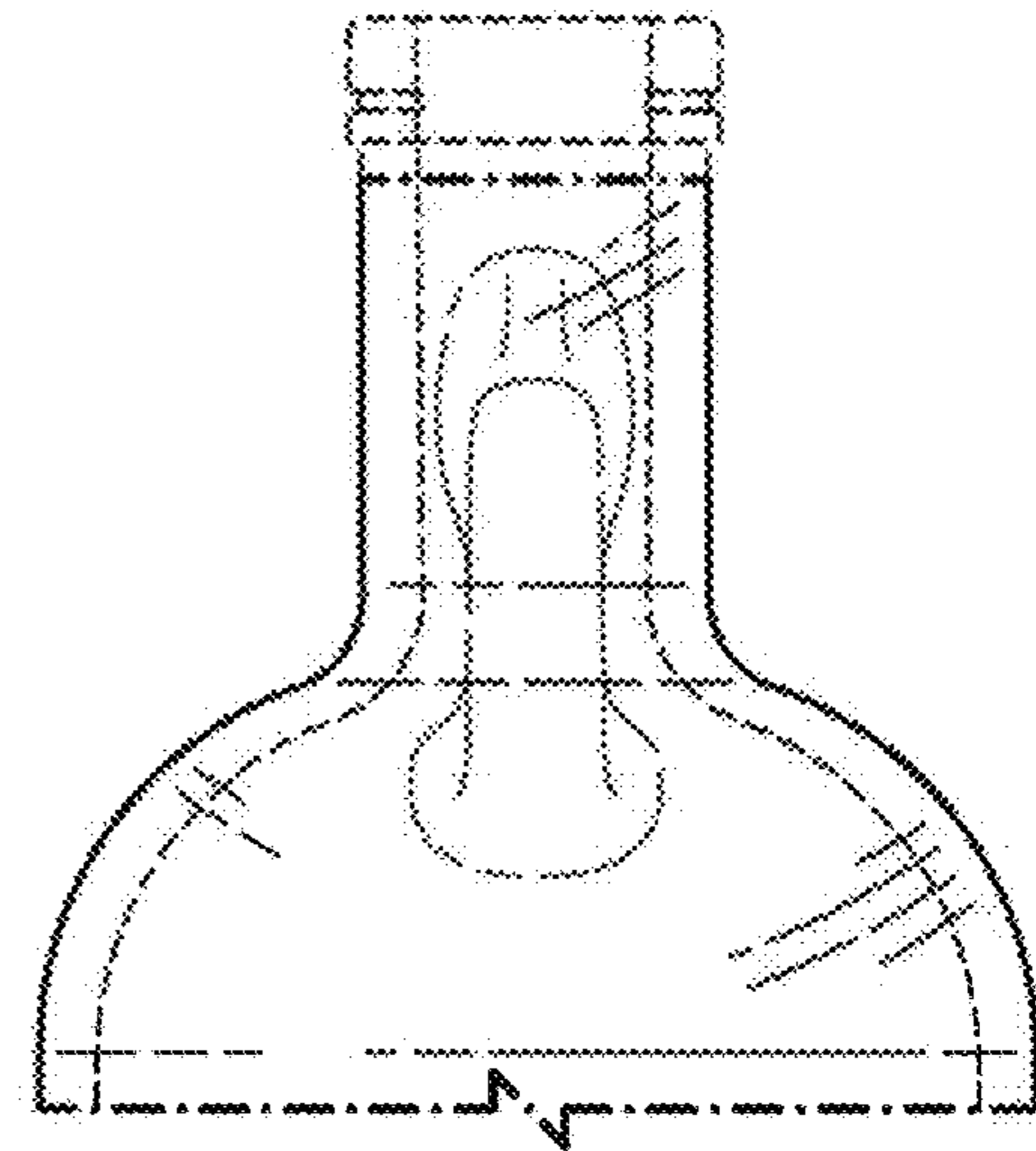
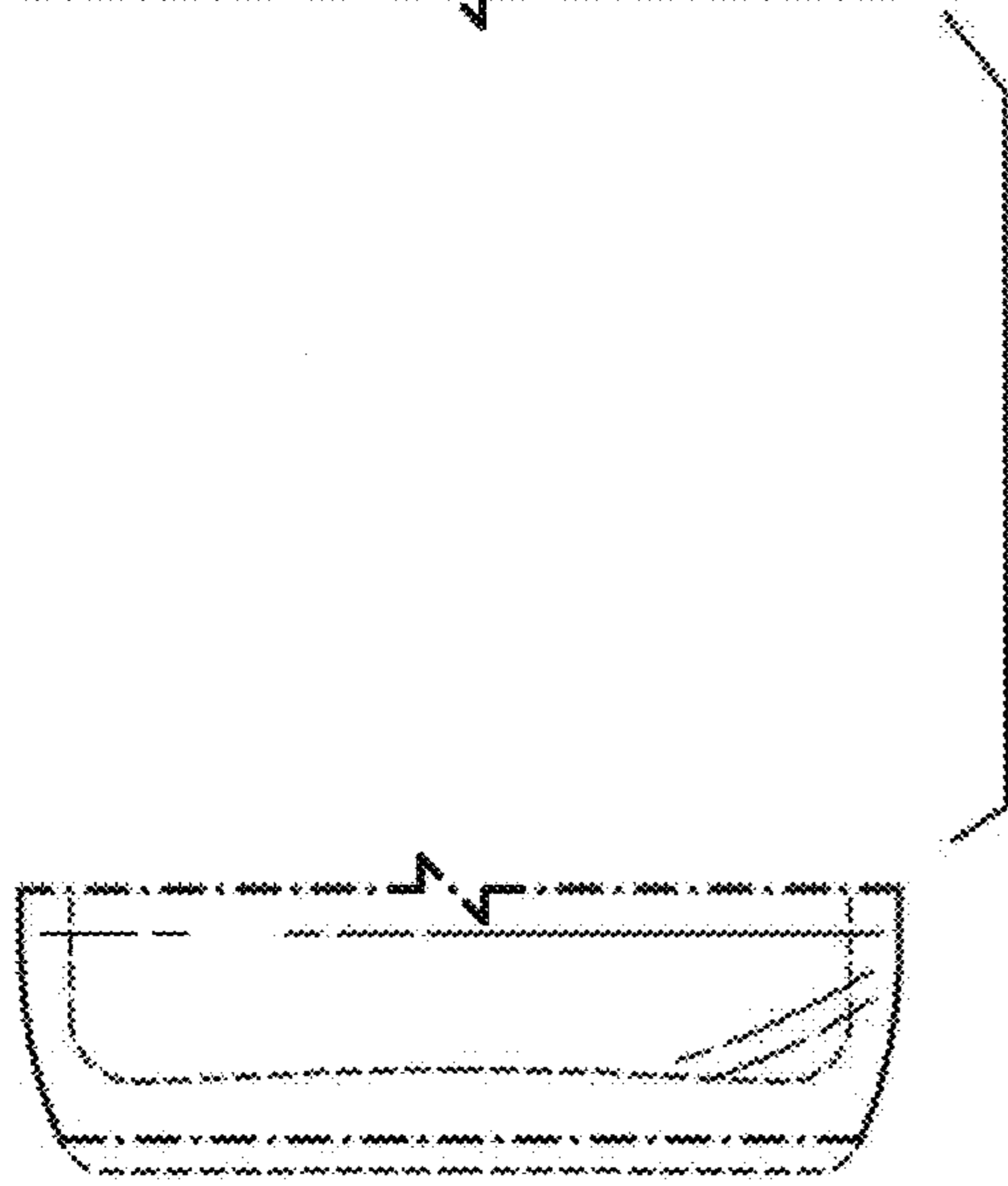
**FIG. 14**



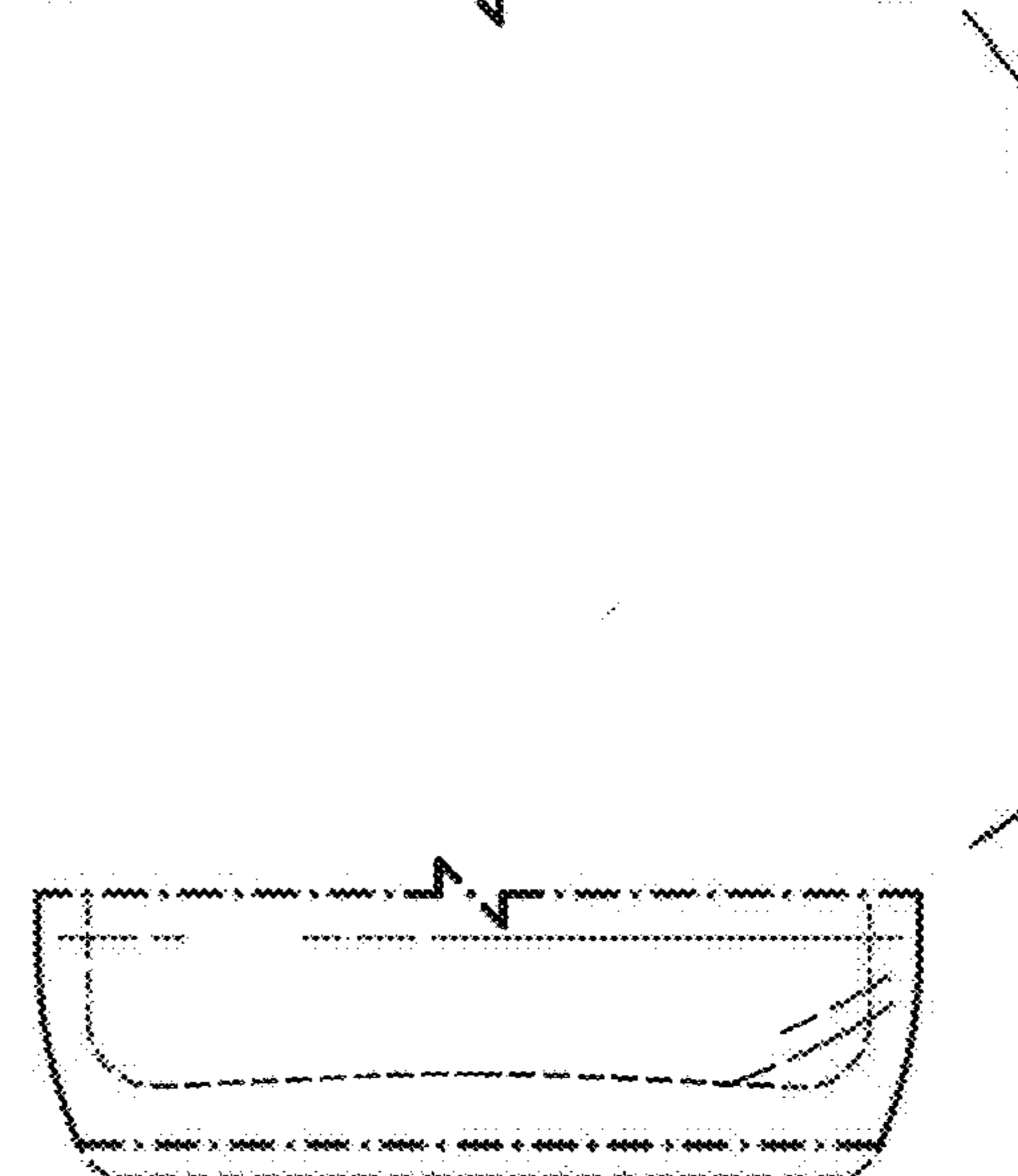
**FIG. 16**



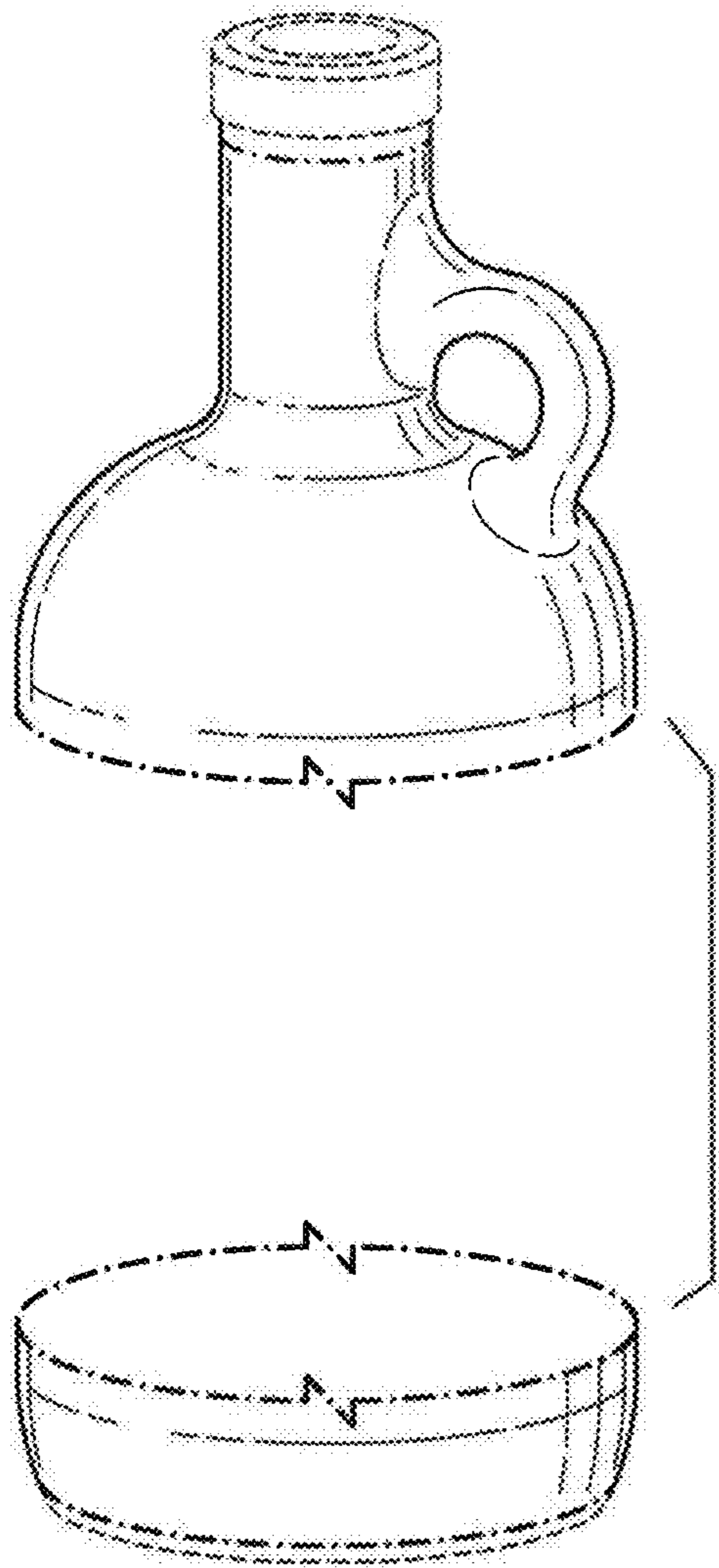
**FIG. 18**



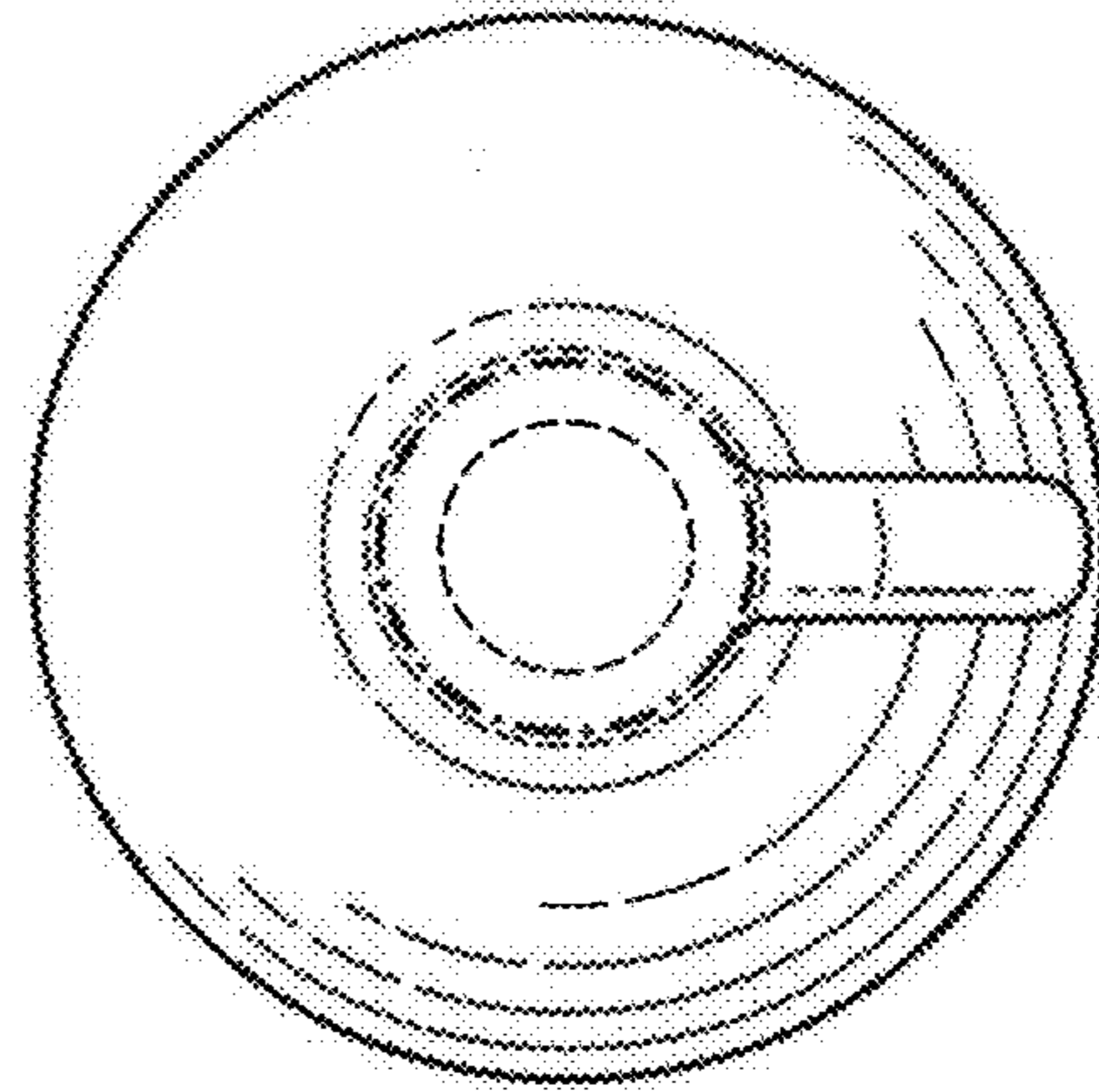
**FIG. 17**



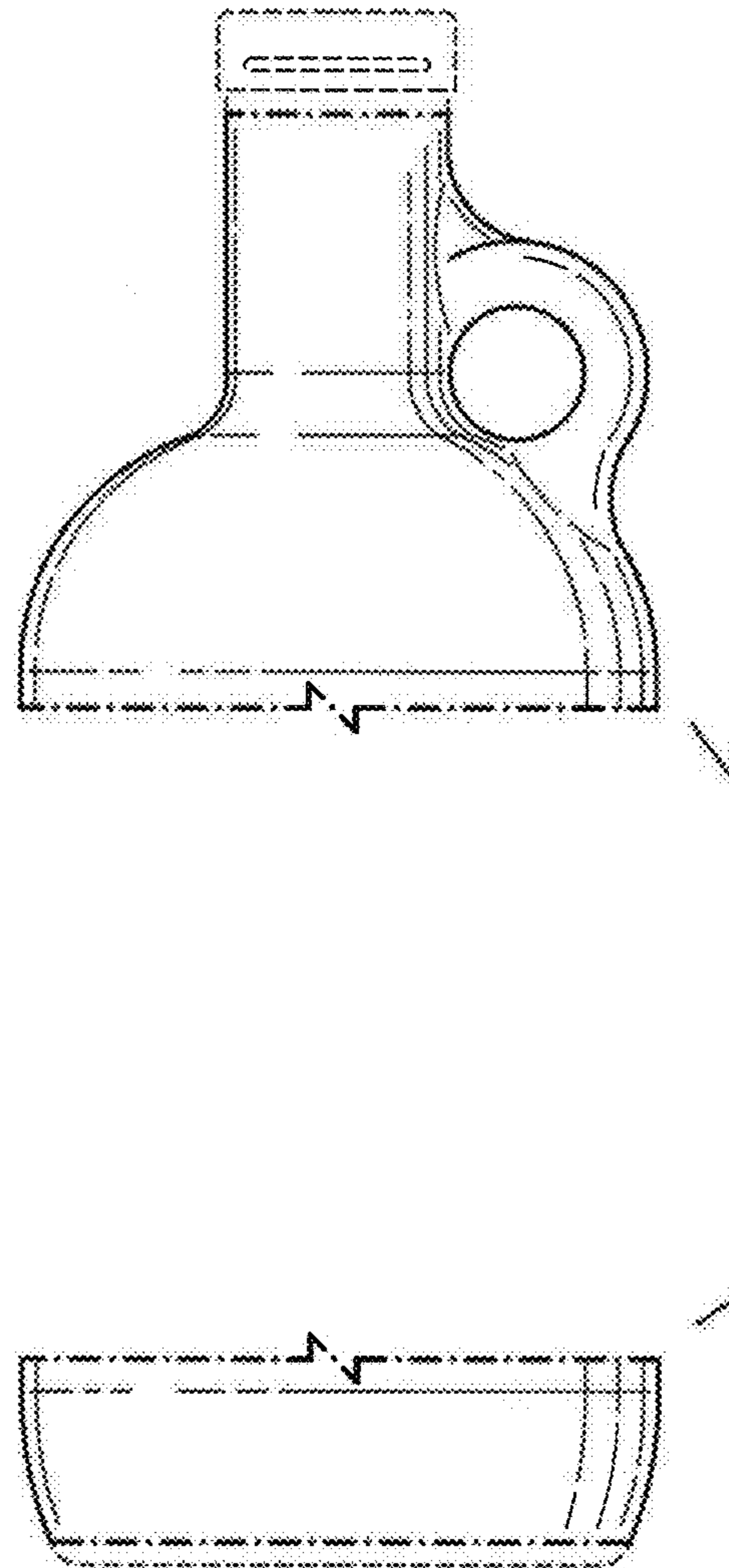




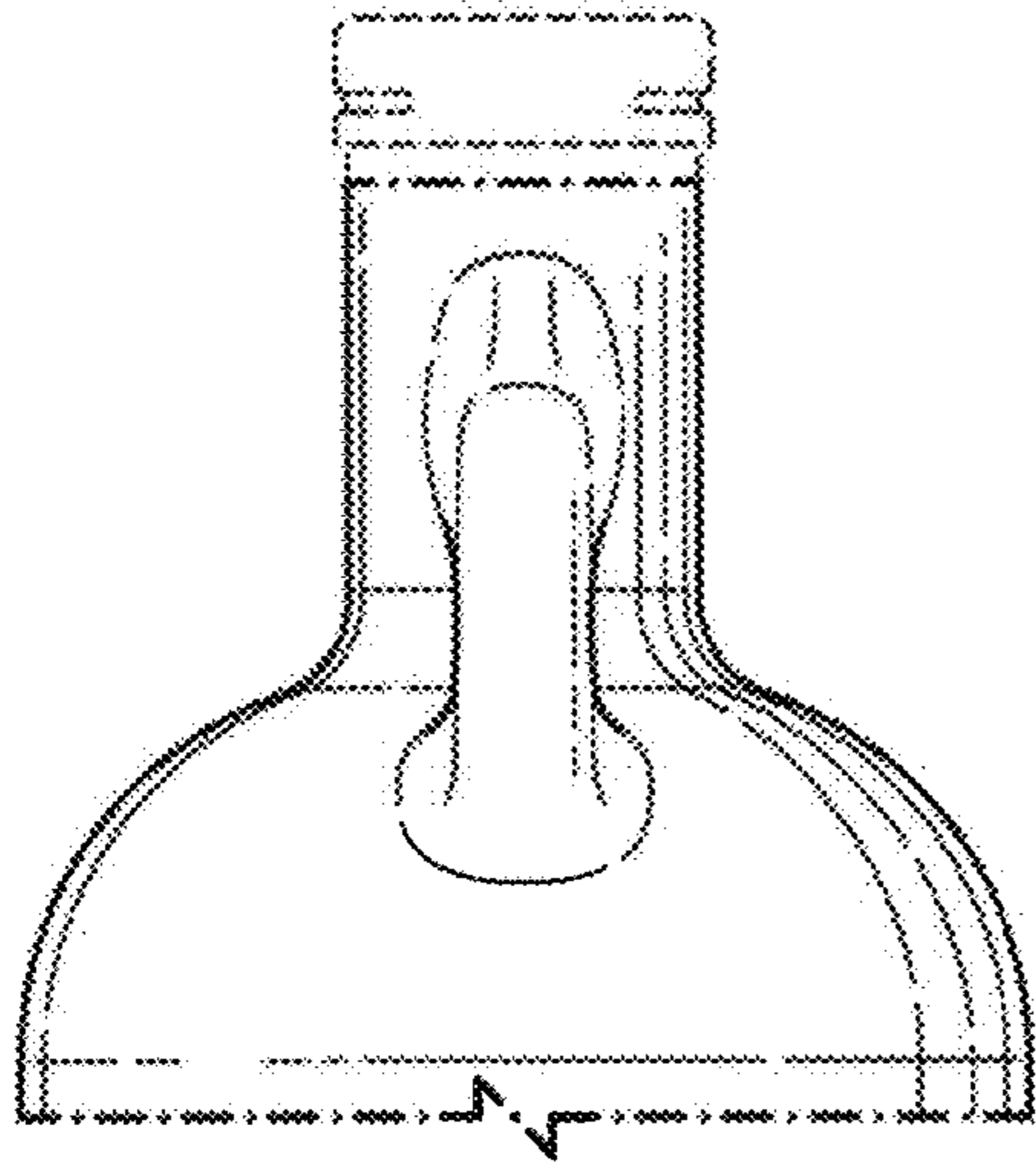
**FIG. 19**



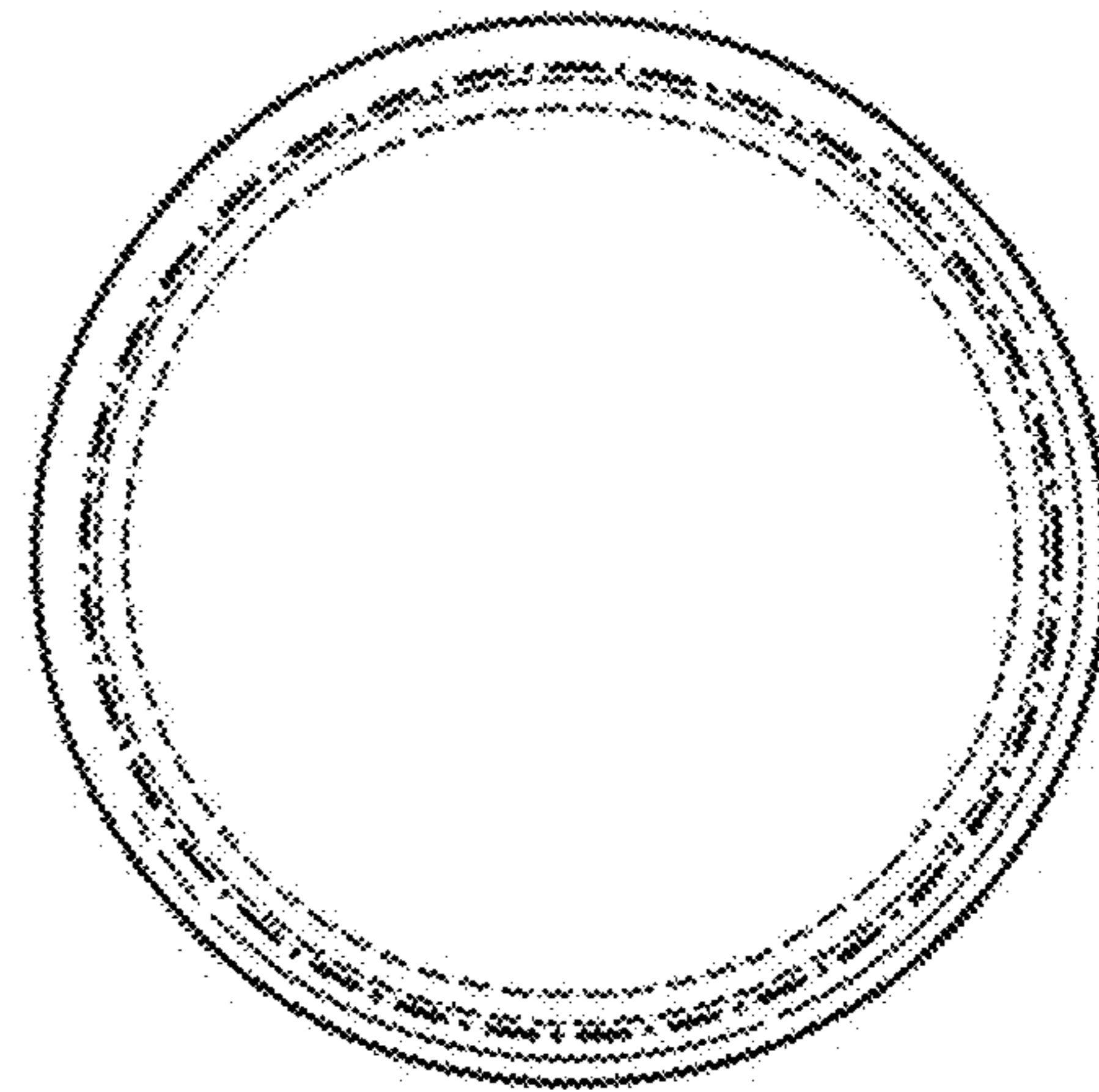
**FIG. 21**



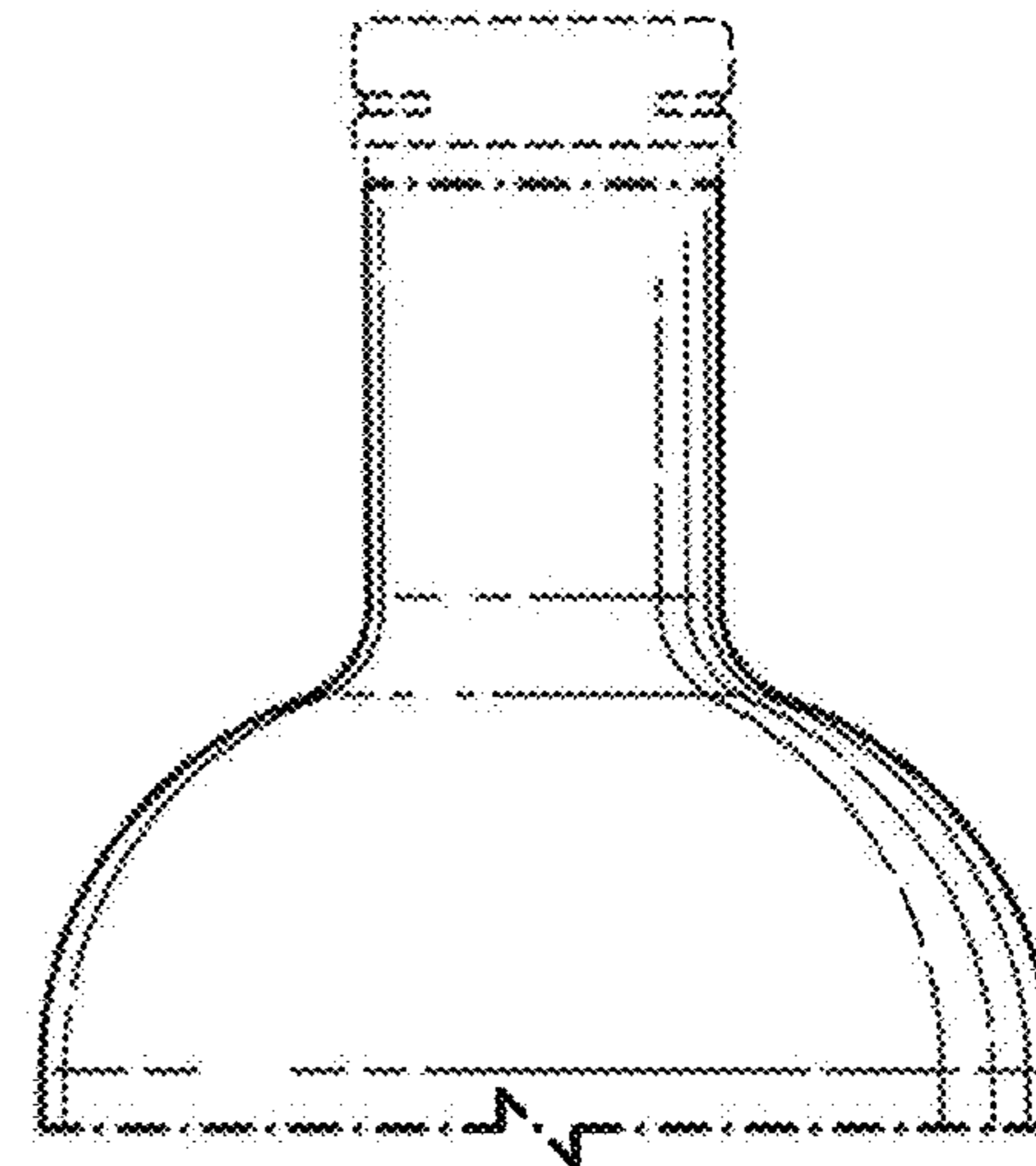
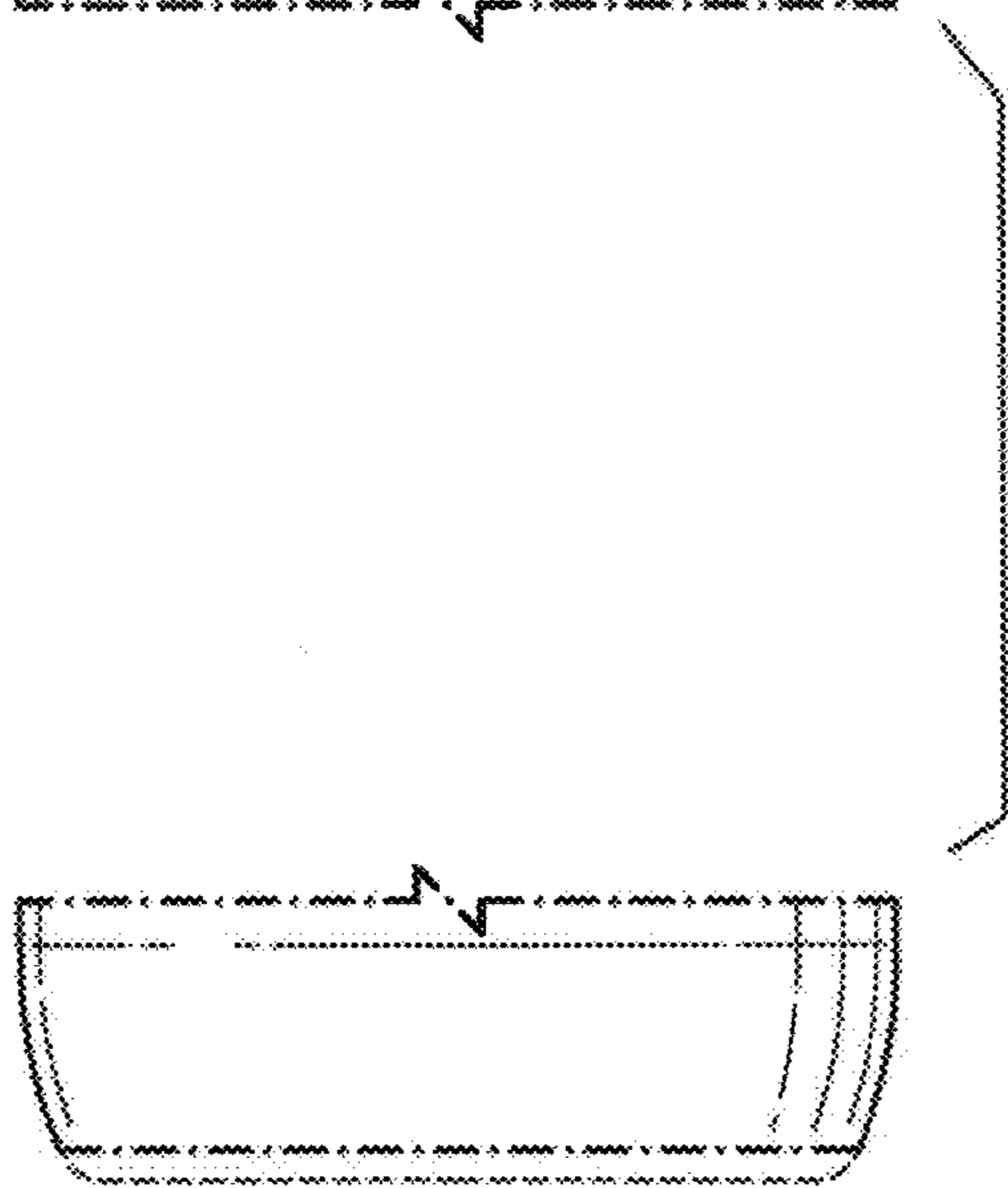
**FIG. 20**



**FIG. 22**



**FIG. 24**



**FIG. 23**

