



US00D846988S

(12) **United States Design Patent**  
**Paredes et al.**

(10) **Patent No.:** **US D846,988 S**

(45) **Date of Patent:** **\*\* Apr. 30, 2019**

(54) **CONTAINER**

(71) Applicant: **Owens-Brockway Glass Container Inc.**, Perrysburg, OH (US)

(72) Inventors: **Raul Paredes**, Perrysburg, OH (US);  
**Paul Harris**, Toledo, OH (US);  
**Douglas Laib**, Perrysburg, OH (US);  
**Andrew Birkhoff**, Columbus, OH (US);  
**Young Lee**, Perrysburg, OH (US); **Lara Koenick**, Boyds, MD (US)

(73) Assignee: **Owens-Brockway Glass Container Inc.**, Perrysburg, OH (US)

(\*\*) Term: **15 Years**

(21) Appl. No.: **29/629,629**

(22) Filed: **Dec. 14, 2017**

(51) **LOC (11) Cl.** ..... **09-01**

(52) **U.S. Cl.**  
USPC ..... **D9/500**

(58) **Field of Classification Search**  
USPC ..... D9/500, 503–505, 516, 530, 537,  
D9/539–540, 544–545, 549, 558, 715,  
D9/719  
CPC ..... B65D 1/00; B65D 1/02; B65D 1/0223;  
B65D 23/00; B65D 81/00; B65D  
2501/00; B65D 2501/0009  
See application file for complete search history.

(56) **References Cited**

**U.S. PATENT DOCUMENTS**

D10,716 S \* 6/1878 Hood ..... D9/545  
D216,585 S \* 2/1970 Doblin ..... D9/505  
6,308,846 B1 \* 10/2001 Muller ..... B65D 81/3841  
215/13.1  
D506,135 S \* 6/2005 Breier ..... D9/500  
D522,366 S 6/2006 Scott

D530,207 S \* 10/2006 Brandt ..... D9/500  
D530,214 S 10/2006 Scott  
D576,040 S \* 9/2008 Martins, Jr. .... D9/502  
D622,603 S \* 8/2010 Potts ..... D9/500  
D668,960 S \* 10/2012 Renieris ..... D9/544  
D687,302 S 8/2013 Reynolds  
D691,479 S \* 10/2013 Bea ..... D9/447  
D692,761 S 11/2013 Staley  
D697,405 S 1/2014 Ahlgren et al.  
D713,250 S 9/2014 Perez-Cabrera  
D718,137 S \* 11/2014 Ahlgren ..... D9/500  
D718,139 S \* 11/2014 Ahlgren ..... D9/503  
D761,655 S \* 7/2016 Chung ..... D9/500  
D766,092 S 9/2016 Maillet et al.  
D799,966 S \* 10/2017 Kang ..... D9/500  
D828,175 S \* 9/2018 Furneaux ..... D9/544

\* cited by examiner

*Primary Examiner* — Dana Meyrow

(57) **CLAIM**

We claim the ornamental design for a container, as shown and described.

**DESCRIPTION**

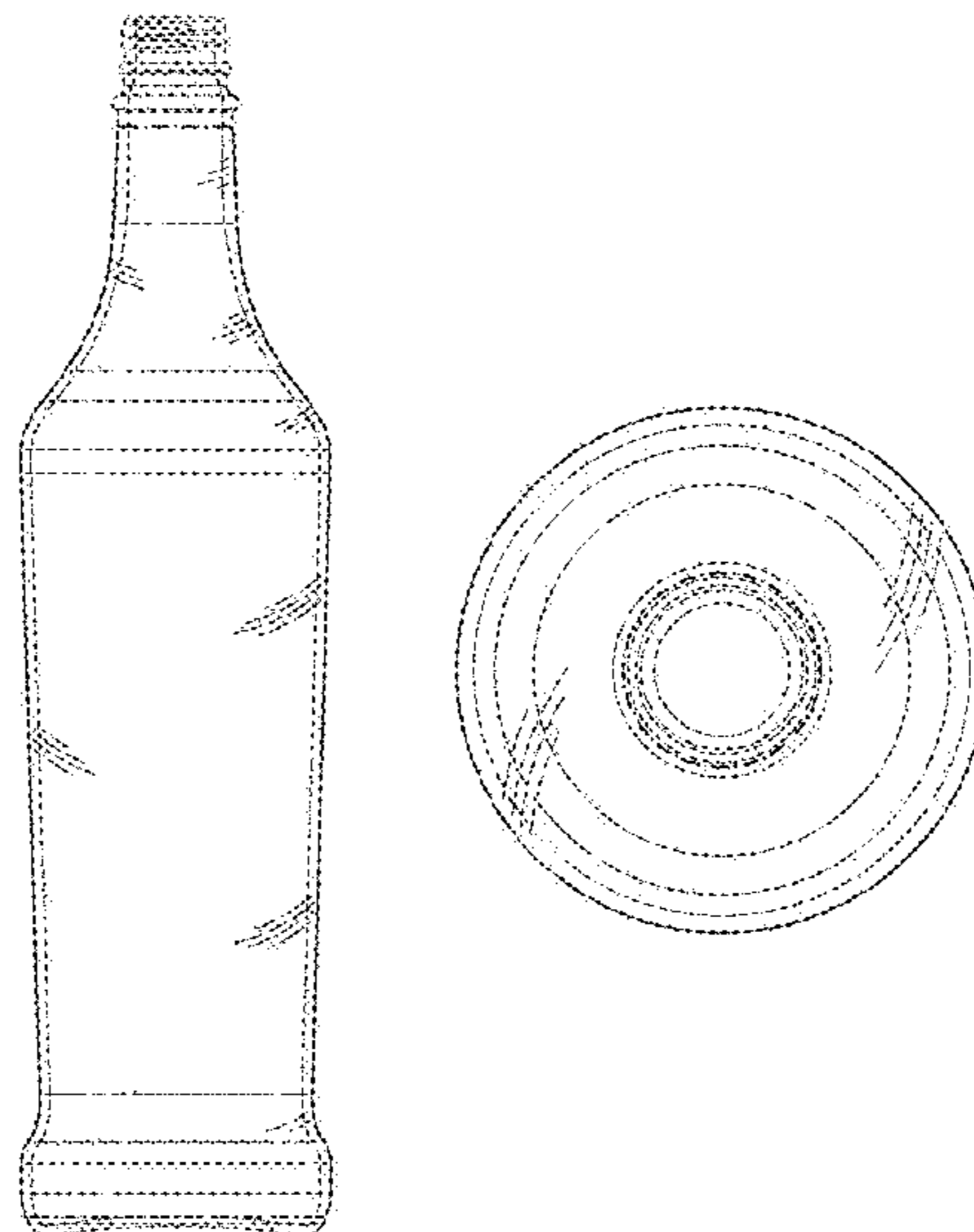
FIG. 1 is a perspective view of a container in accordance with an illustrative embodiment of our new claimed design. FIG. 2 is a front view of the container in FIG. 1, the rear and side views of the claimed design being identical to the front view of FIG. 2.

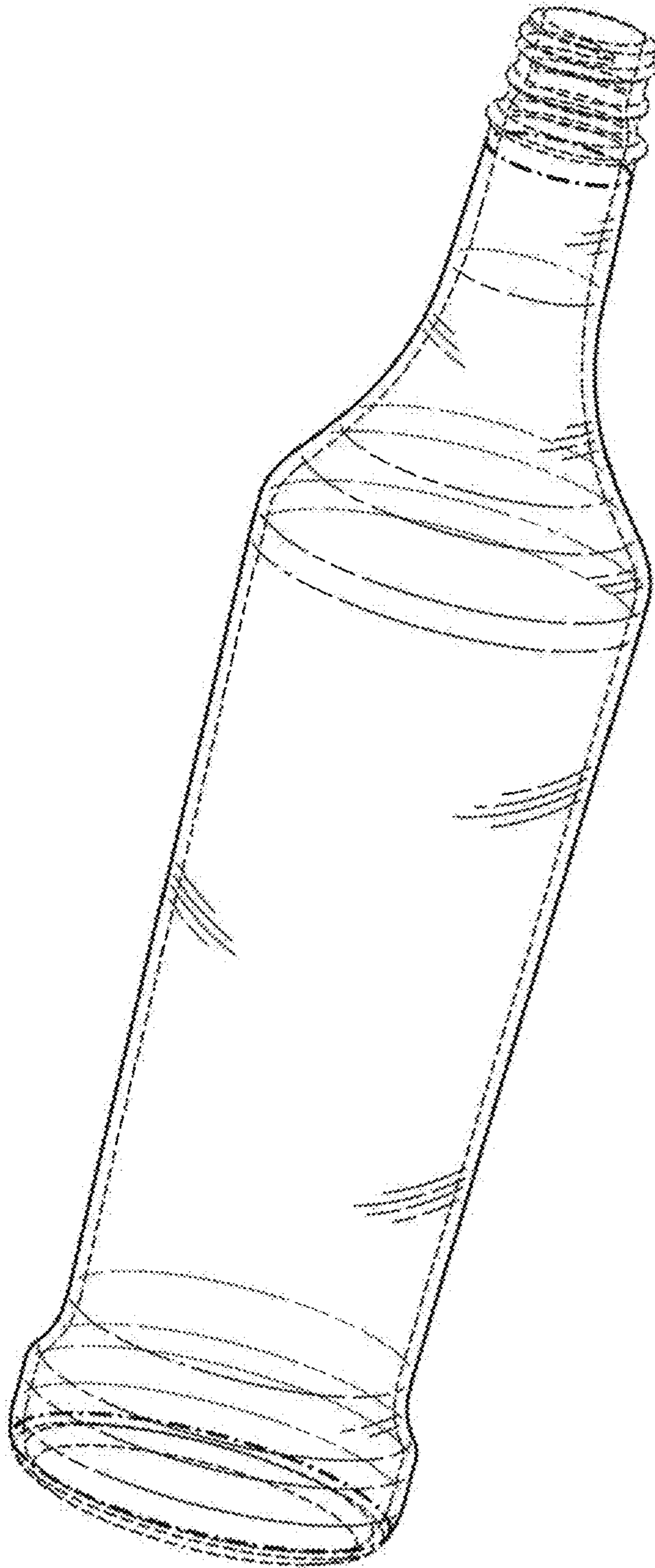
FIG. 3 is an enlarged top view of the container in FIG. 1; and,

FIG. 4 is an enlarged bottom view of the container in FIG. 1.

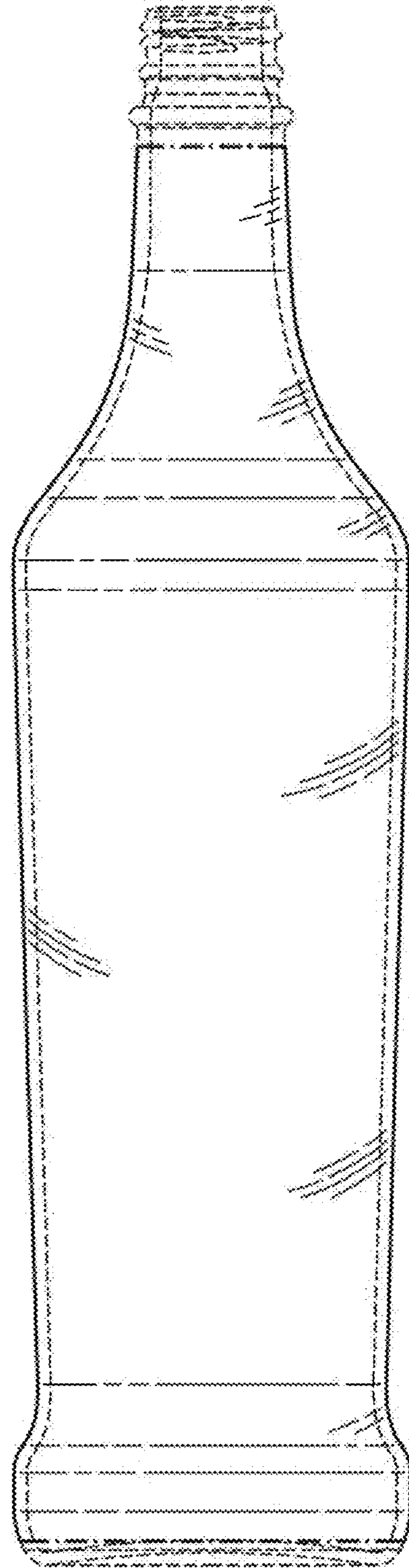
Dash-dash-dash broken lines shown in the drawings represent subject matter that is not part of the claimed design. Dash-dot-dash broken lines shown in the drawings represent boundaries of the claimed design and are not part of the claimed design.

**1 Claim, 2 Drawing Sheets**

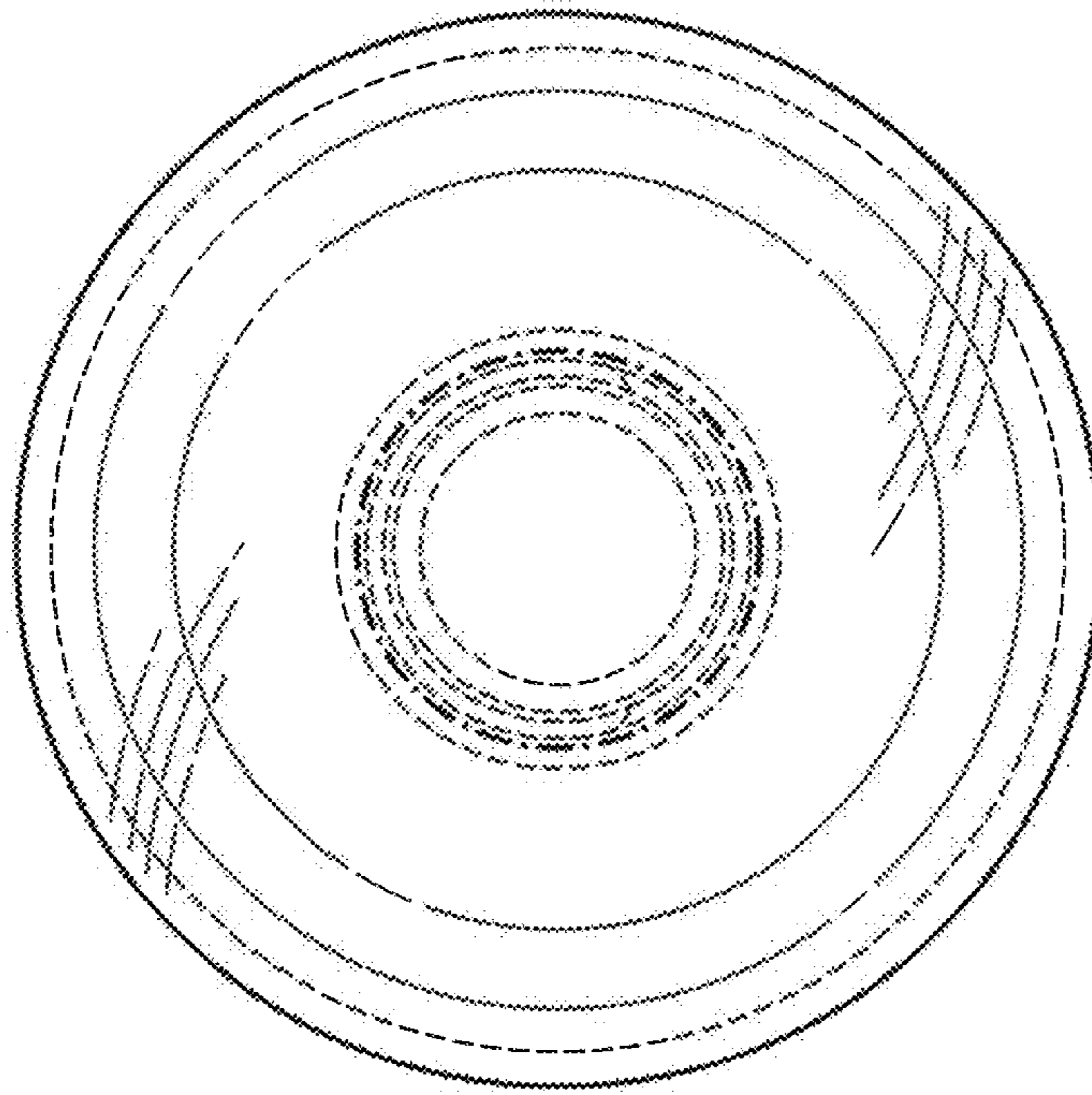




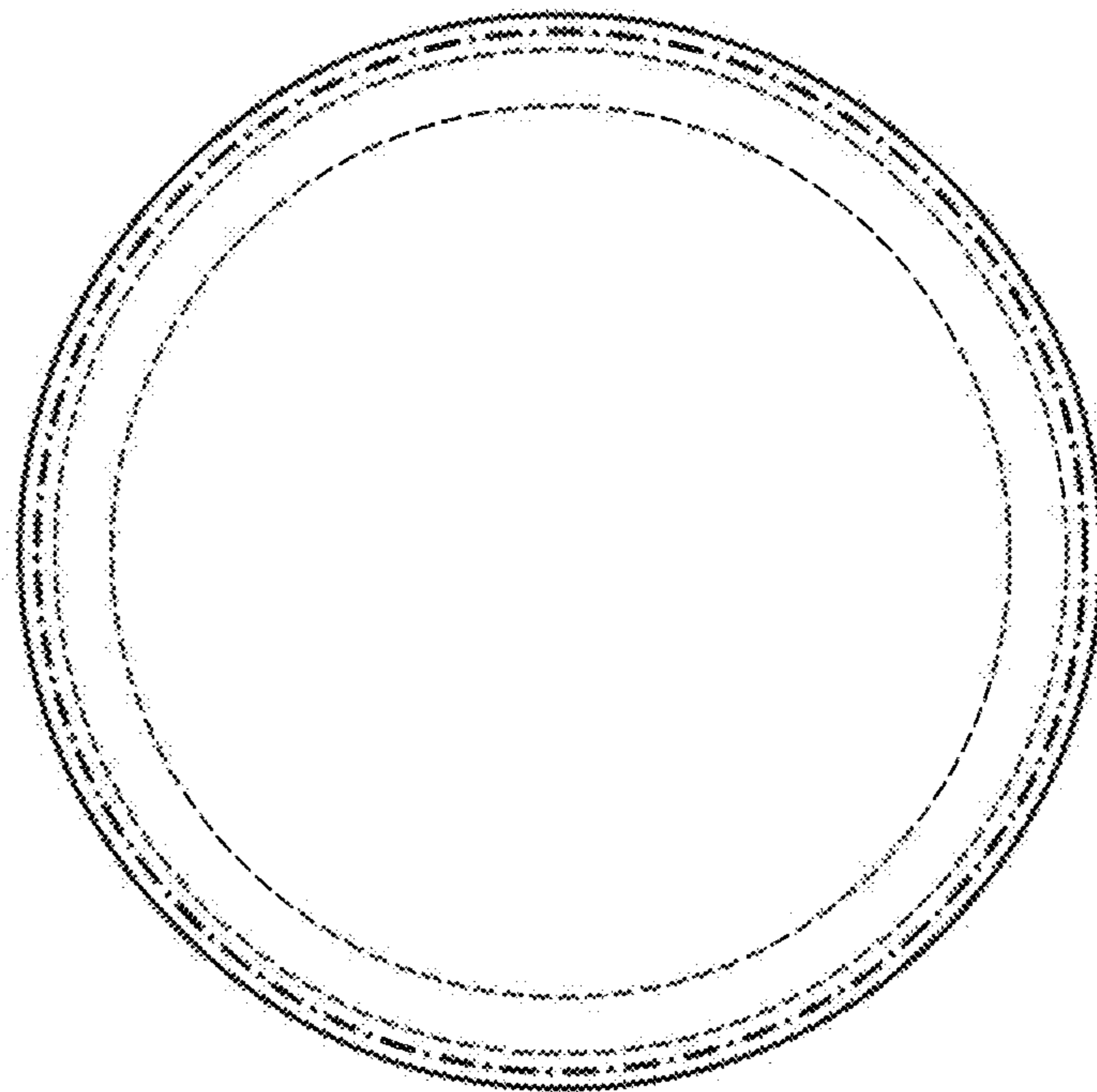
**FIG. 1**



**FIG. 2**



**FIG. 3**



**FIG. 4**