



US00D846987S

(12) **United States Design Patent**
Neputy

(10) **Patent No.:** **US D846,987 S**

(45) **Date of Patent:** **** Apr. 30, 2019**

(54) **CLOSURE**

- (71) Applicant: **Silgan White Cap LLC**, Downers Grove, IL (US)
- (72) Inventor: **Darren Neputy**, Palos Hills, IL (US)
- (73) Assignee: **Silgan White Cap LLC**, Downers Grove, IL (US)
- (**) Term: **15 Years**

(21) Appl. No.: **29/587,611**

(22) Filed: **Dec. 14, 2016**

(51) **LOC (11) Cl.** **09-07**

(52) **U.S. Cl.**
USPC **D9/453**

(58) **Field of Classification Search**
 USPC D7/316, 392, 392.1, 396.2, 397, 510, D7/533; D9/434-436, 440, 443, 445, D9/447, 452-454, 499
 CPC B65D 41/00; B65D 41/38; B65D 41/56; B65D 41/62; B65D 47/00; B65D 47/06; B65D 47/08; B65D 2543/00046; B65D 2543/00092; B65D 2543/00296; B65D 51/28; B65D 21/0237; B65D 81/3205
 See application file for complete search history.

(56) **References Cited**

U.S. PATENT DOCUMENTS

D24,862 S	11/1895	Abbott	
D83,012 S *	1/1931	Scribner	D8/DIG. 2
D89,809 S *	5/1933	Von Till	D8/DIG. 2
D95,675 S *	5/1935	Fuerst	D9/453
D96,766 S *	9/1935	Kronman	D9/453
D99,327 S *	4/1936	Howie, Jr.	D9/453
D136,439 S *	10/1943	Tattro	D9/453
D153,956 S *	5/1949	Lay	D9/453
D202,227 S	9/1965	Amburgey et al.	
D212,463 S	10/1968	Vanderhyde et al.	
D356,871 S	3/1995	Dunn	

(Continued)

OTHER PUBLICATIONS

Silgan Closures. Drinktec 2017—Silgan Closures. Nov. 9, 2017 [earliest online date], [site visited Aug. 28, 2018]. Available from Internet, <URL:http://www.silgan-closures.com/news/2017/Drinktec-2017-BOTTLED-WATERS.html>. (Year: 2017).*

Primary Examiner — George D. Kirschbaum

Assistant Examiner — Darcey E Heflin

(74) *Attorney, Agent, or Firm* — Reinhart Boerner Van Deuren s.c.

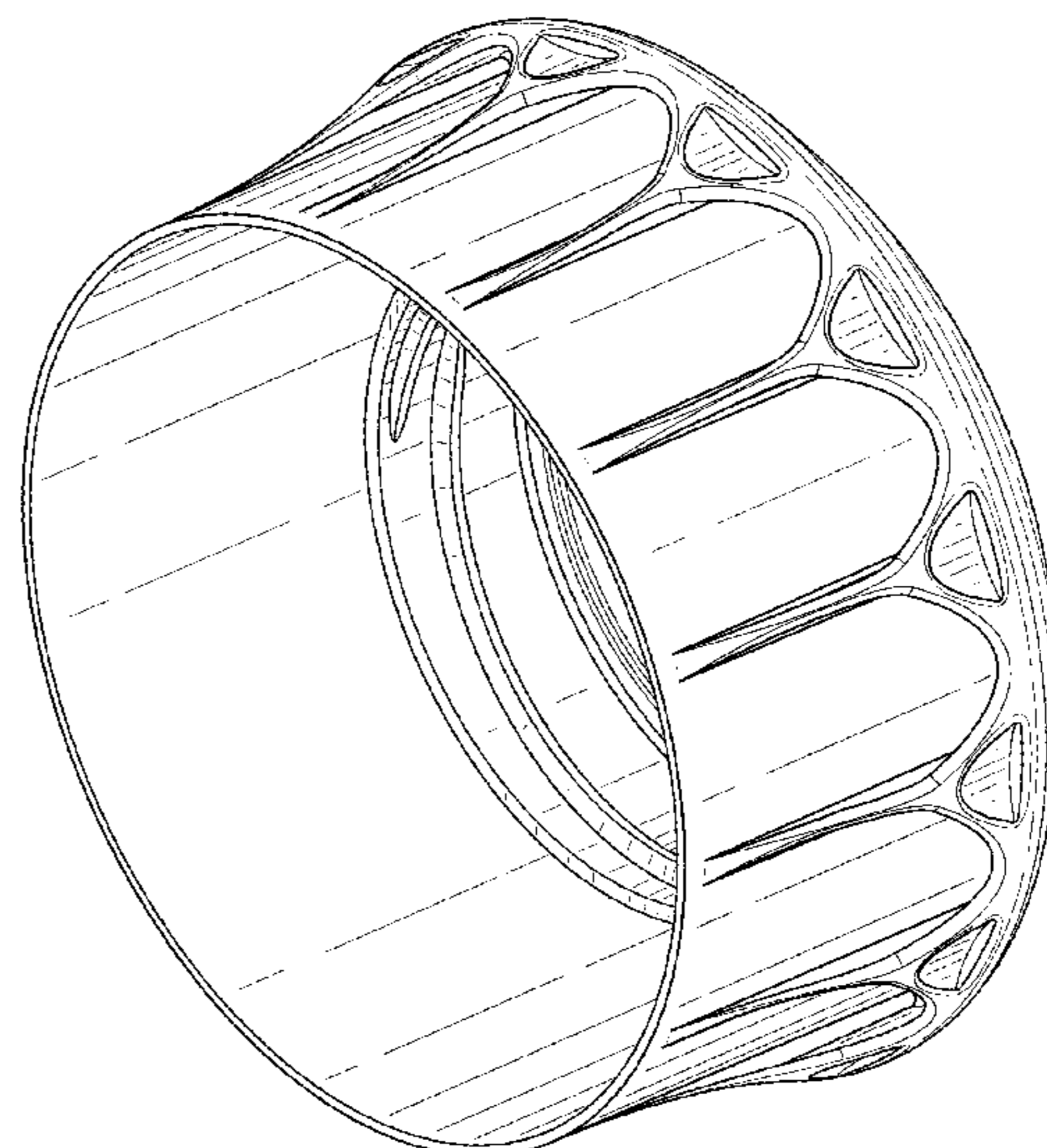
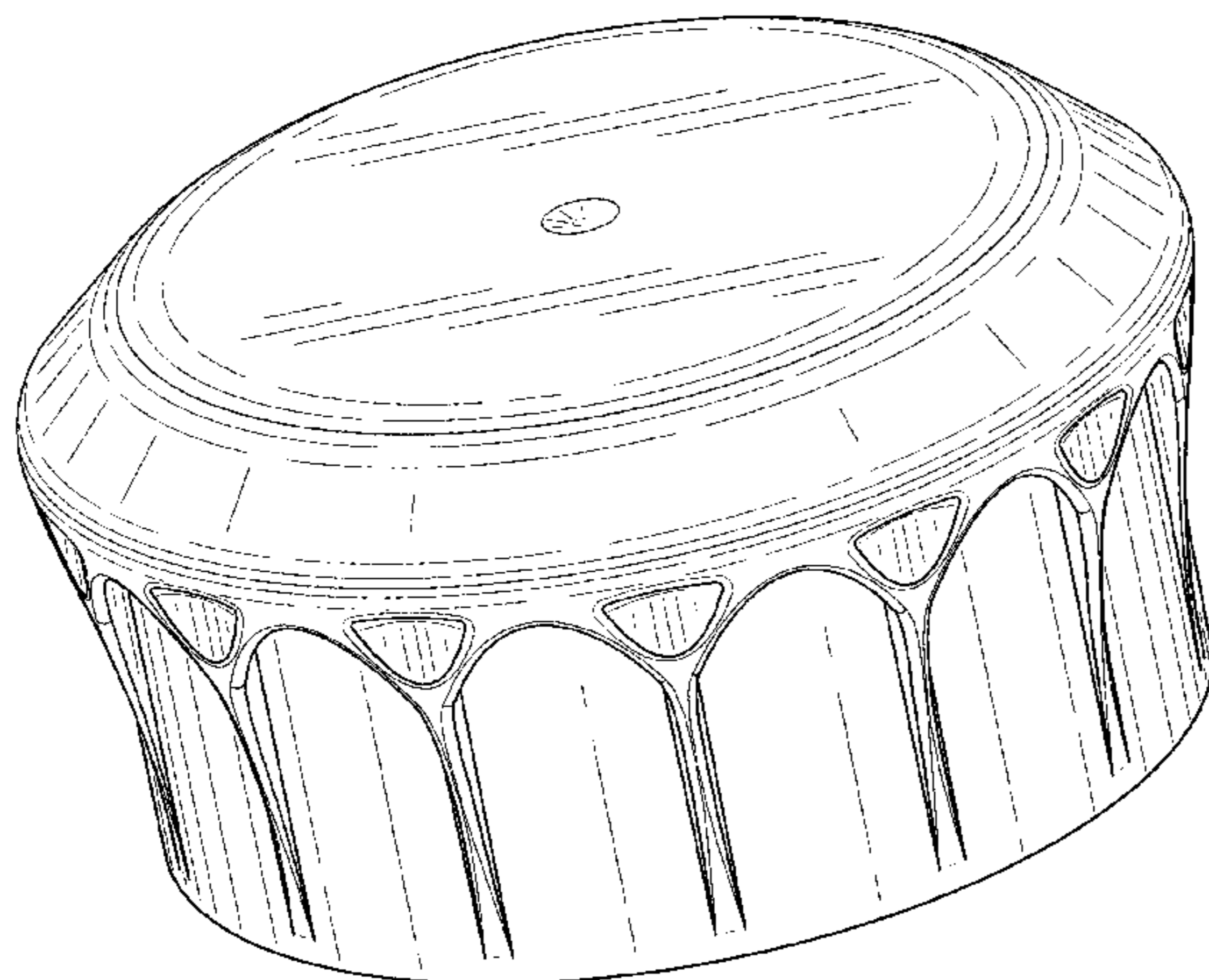
(57) **CLAIM**

I claim the ornamental design for a closure, as shown and described.

DESCRIPTION

FIG. 1 is a top perspective view of the claimed design; FIG. 2 is a bottom perspective view of the claimed design of FIG. 1; FIG. 3 is a top view of the claimed design of FIG. 1; FIG. 4 is a bottom view of the claimed design of FIG. 1; FIG. 5 is a side view of the claimed design of FIG. 1; FIG. 6 is a top perspective view of another embodiment of the claimed design; FIG. 7 is a bottom perspective view of the claimed design of FIG. 6; FIG. 8 is a top view of the claimed design of FIG. 6; FIG. 9 is a bottom view of the claimed design of FIG. 6; FIG. 10 is a side view of the claimed design of FIG. 6; FIG. 11 is a top perspective view of another embodiment of the claimed design; FIG. 12 is a bottom perspective view of the claimed design of FIG. 11; FIG. 13 is a top view of the claimed design of FIG. 11; FIG. 14 is a bottom view of the claimed design of FIG. 11; and, FIG. 15 is a side view of the claimed design of FIG. 11.

1 Claim, 15 Drawing Sheets



(56)

References Cited

U.S. PATENT DOCUMENTS

D365,742 S 1/1996 Decursu et al.
 D422,217 S 4/2000 Gundlach et al.
 D437,226 S 2/2001 Sadeghi et al.
 D442,089 S 5/2001 Sadeghi et al.
 D449,530 S 10/2001 Sadeghi et al.
 D453,473 S * 2/2002 Del Bianco D9/453
 6,783,014 B2 8/2004 Luker
 D530,612 S 10/2006 Lohrman et al.
 D542,654 S * 5/2007 Szczesniak D9/452
 D542,655 S * 5/2007 Szczesniak D9/453
 D542,656 S * 5/2007 Szczesniak D9/452
 D544,348 S * 6/2007 Szczesniak D9/452
 D574,240 S * 8/2008 Szczesniak D9/453
 D608,201 S * 1/2010 Fuchs D9/453
 7,802,690 B2 9/2010 Lohrman et al.
 D631,349 S 1/2011 Arnell et al.
 D633,386 S * 3/2011 Taber D9/453
 D639,161 S 6/2011 Webster

D668,542 S 10/2012 Thurin et al.
 D673,045 S 12/2012 Clark
 D673,046 S 12/2012 Clark
 D679,185 S 4/2013 Brown et al.
 D679,186 S 4/2013 Brown et al.
 D708,950 S 7/2014 Zeid et al.
 D712,743 S * 9/2014 Neputy D9/453
 D712,744 S * 9/2014 Neputy D9/454
 D714,146 S * 9/2014 King D9/453
 D756,777 S * 5/2016 Berge D9/453
 D757,545 S * 5/2016 King D9/453
 9,533,802 B2 * 1/2017 Berge B65D 47/12
 D778,160 S * 2/2017 Orset D9/434
 D790,344 S * 6/2017 Neputy D9/453
 D791,591 S * 7/2017 Berge D9/452
 D813,671 S * 3/2018 Arthur, IV D9/452
 9,938,050 B2 * 4/2018 Berge B65D 41/3428
 2011/0290754 A1 * 12/2011 Taber B65D 41/04
 215/329
 2015/0129533 A1 * 5/2015 Taber B65D 75/5883
 215/252

* cited by examiner

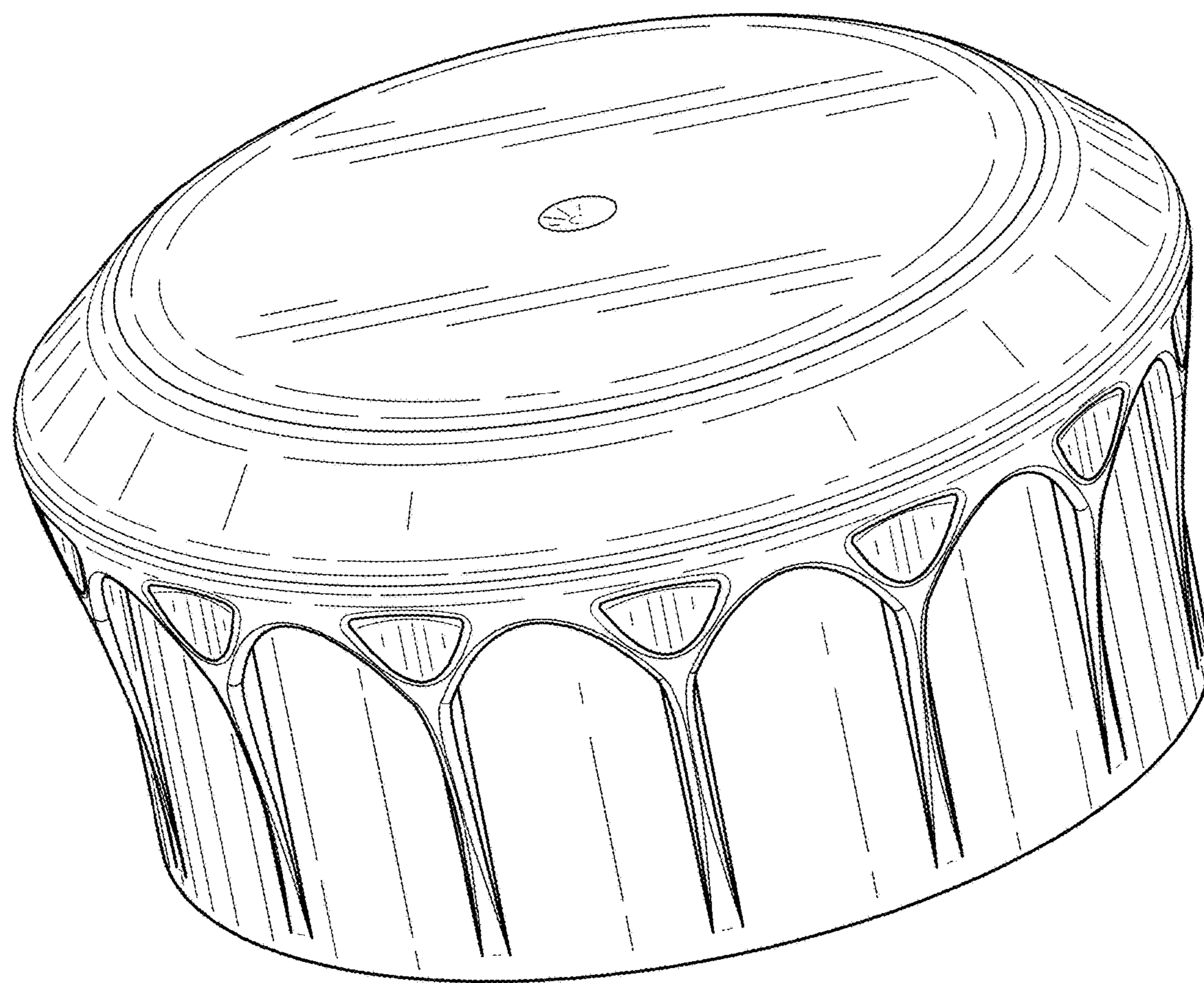


FIG. 1

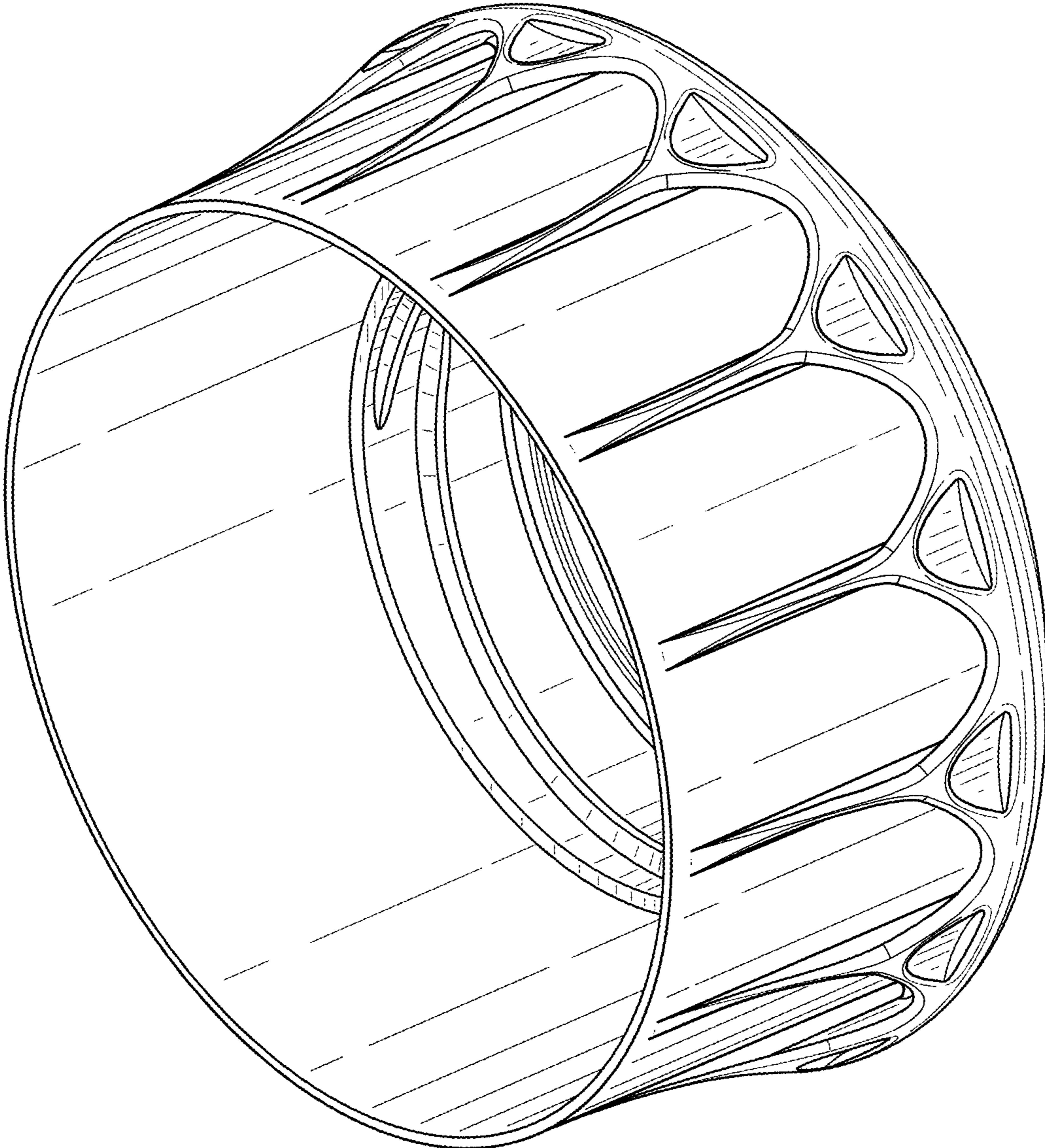


FIG. 2

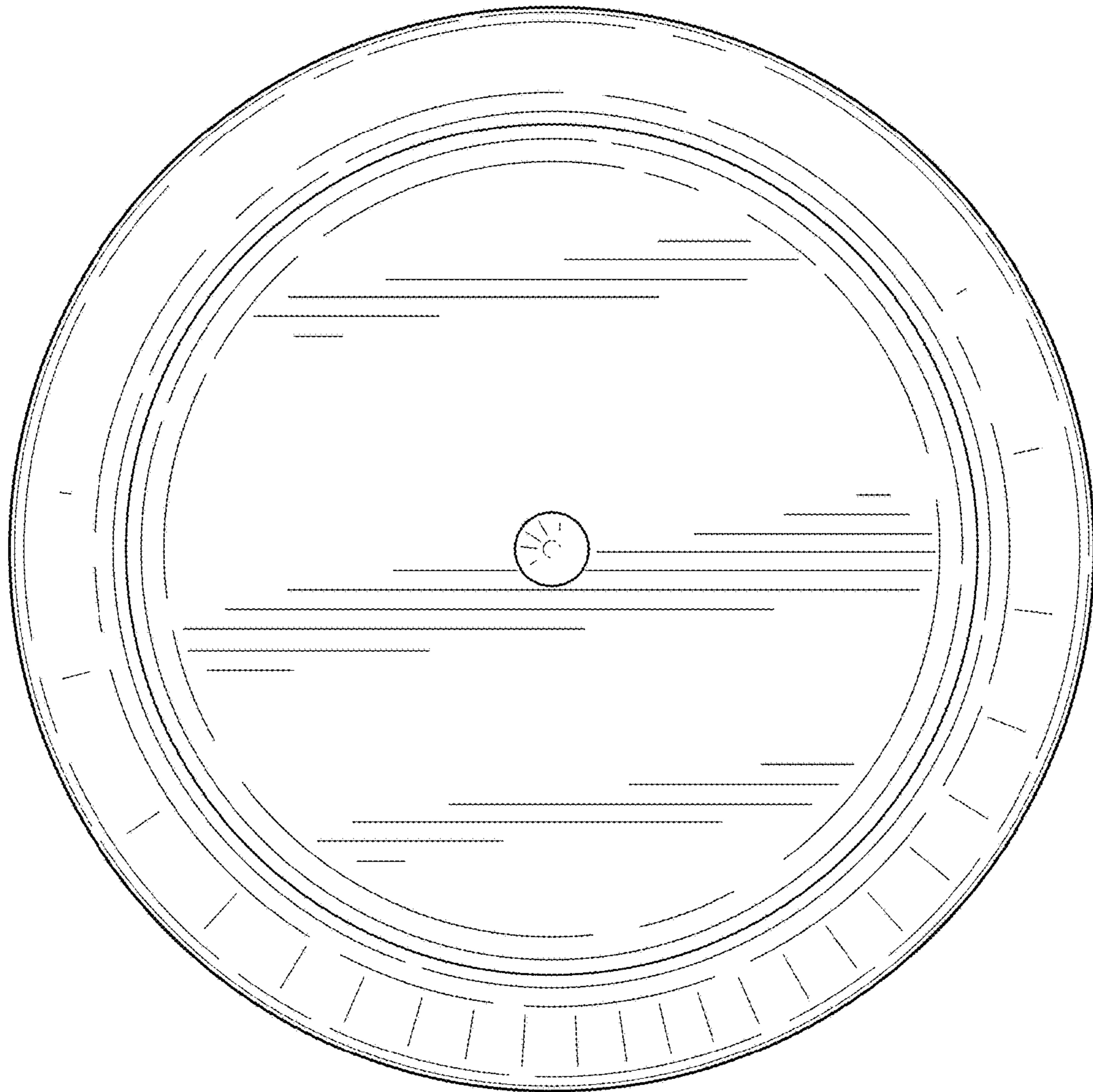


FIG. 3

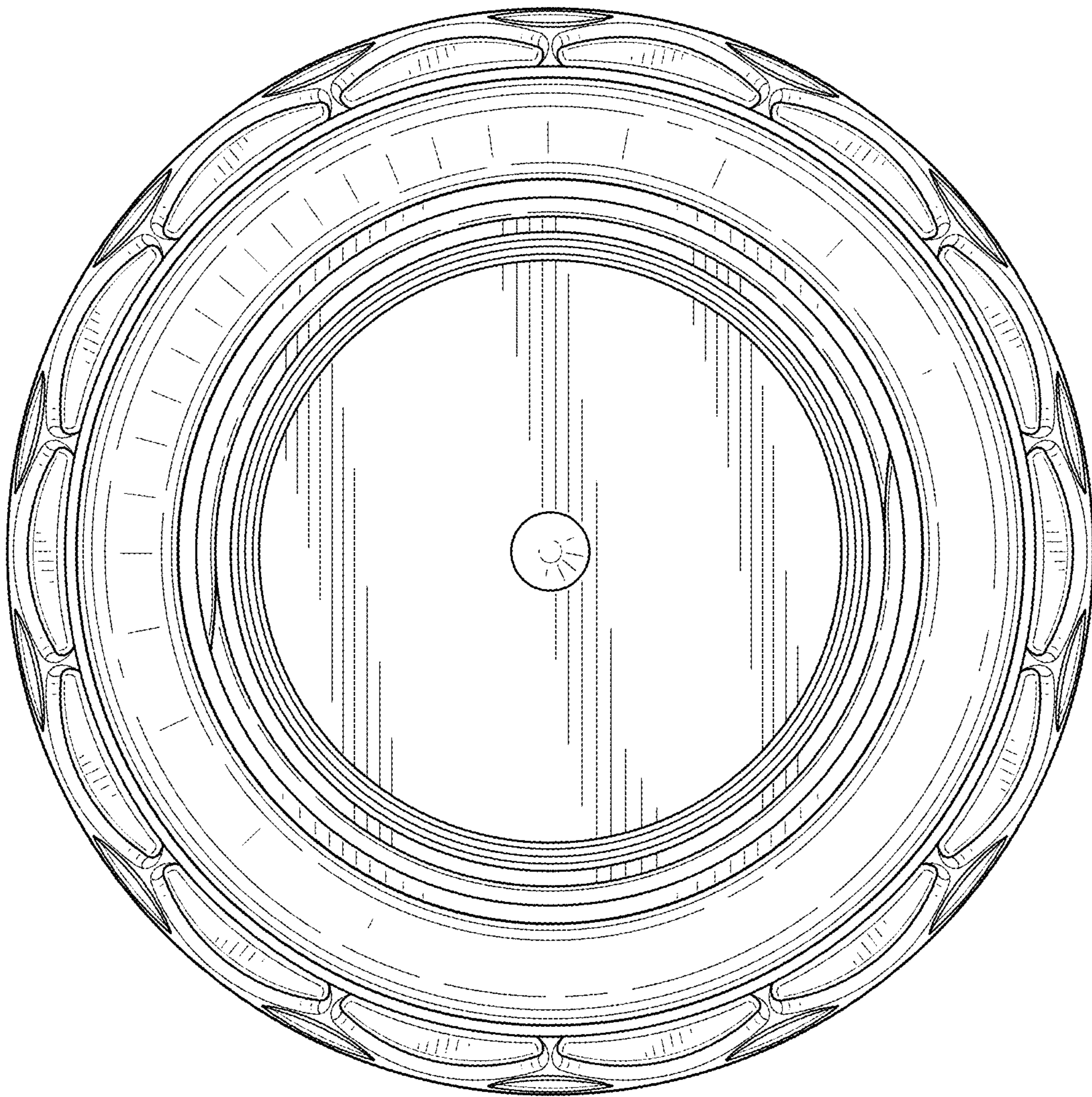


FIG. 4

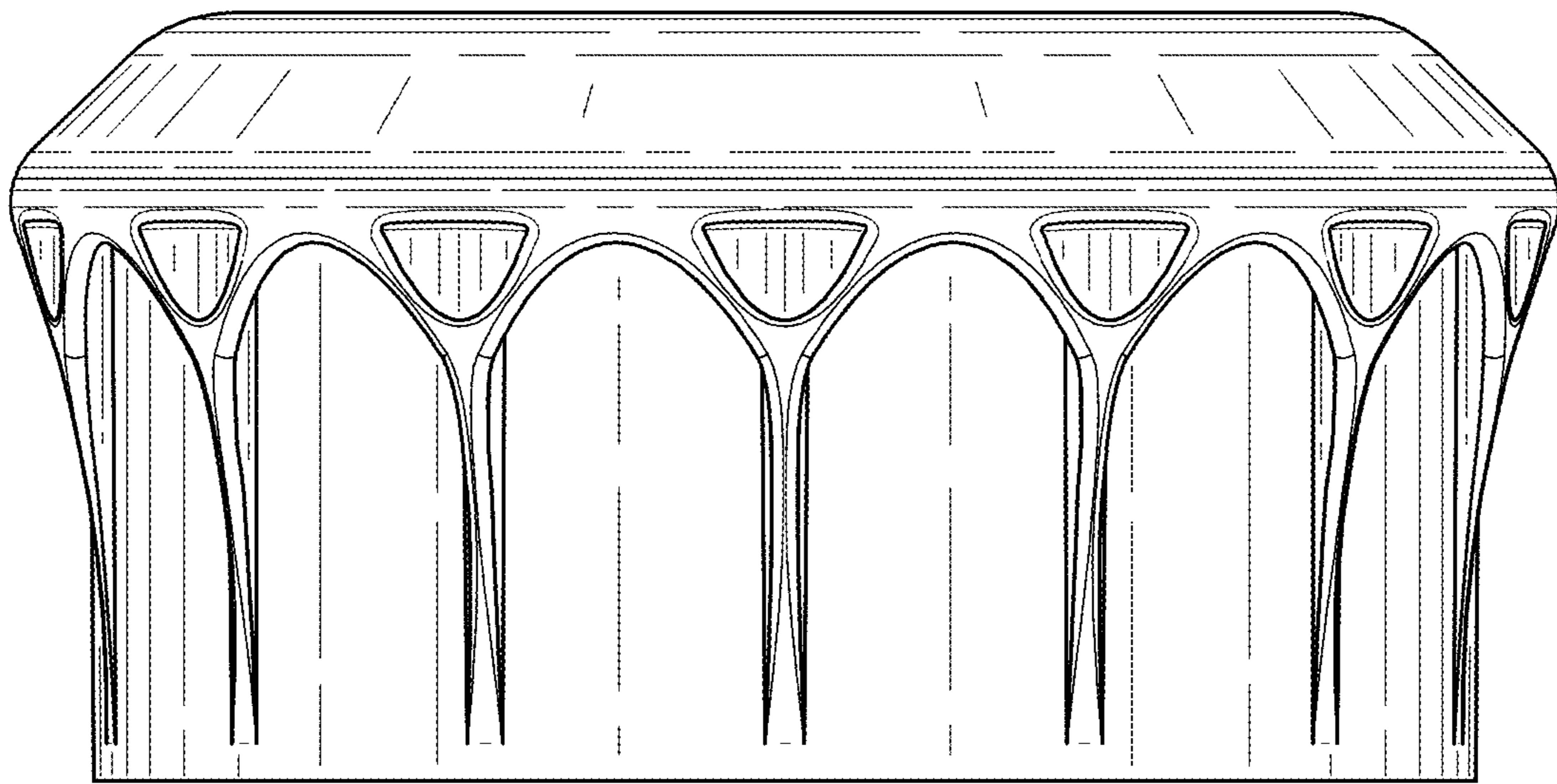


FIG. 5

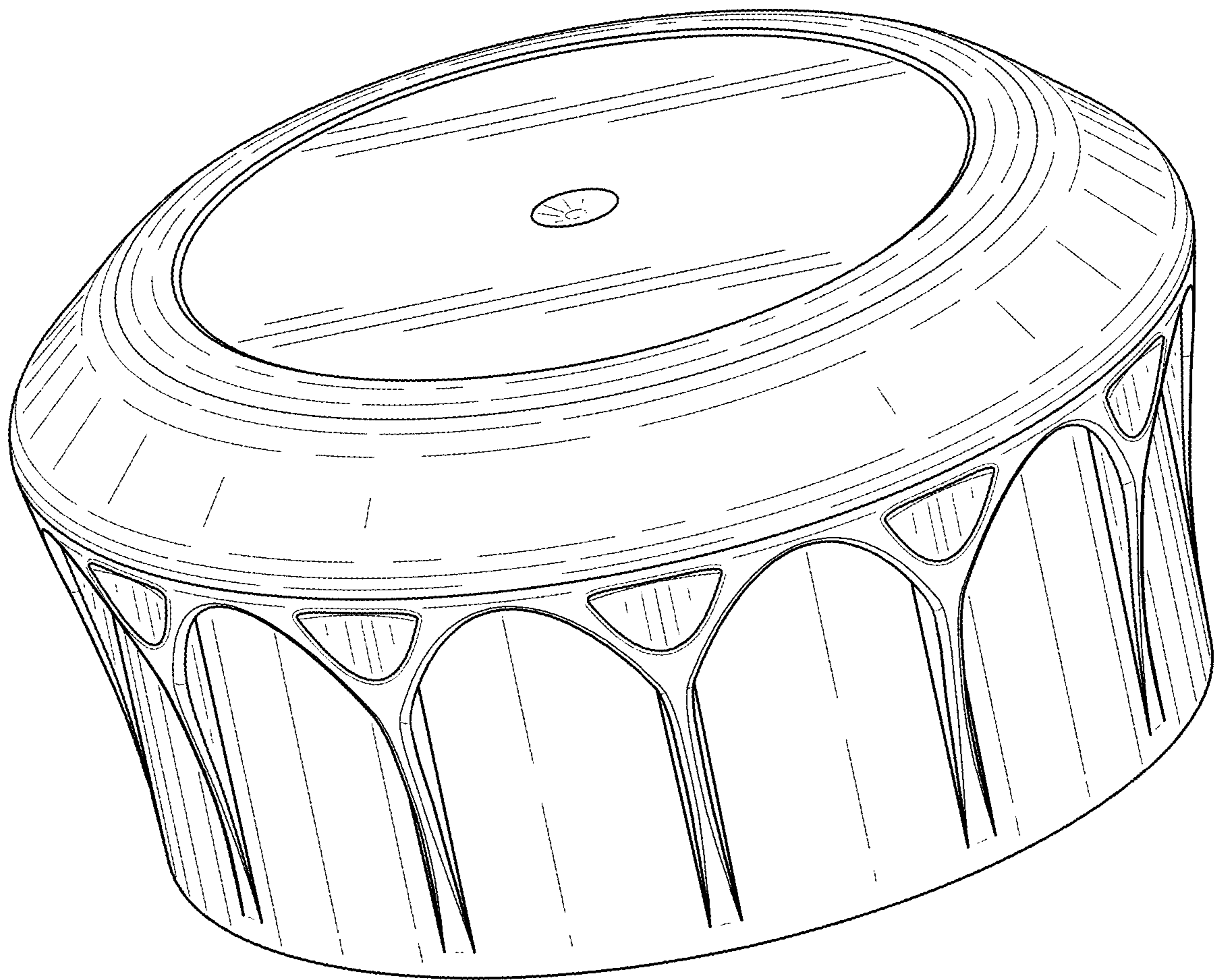


FIG. 6

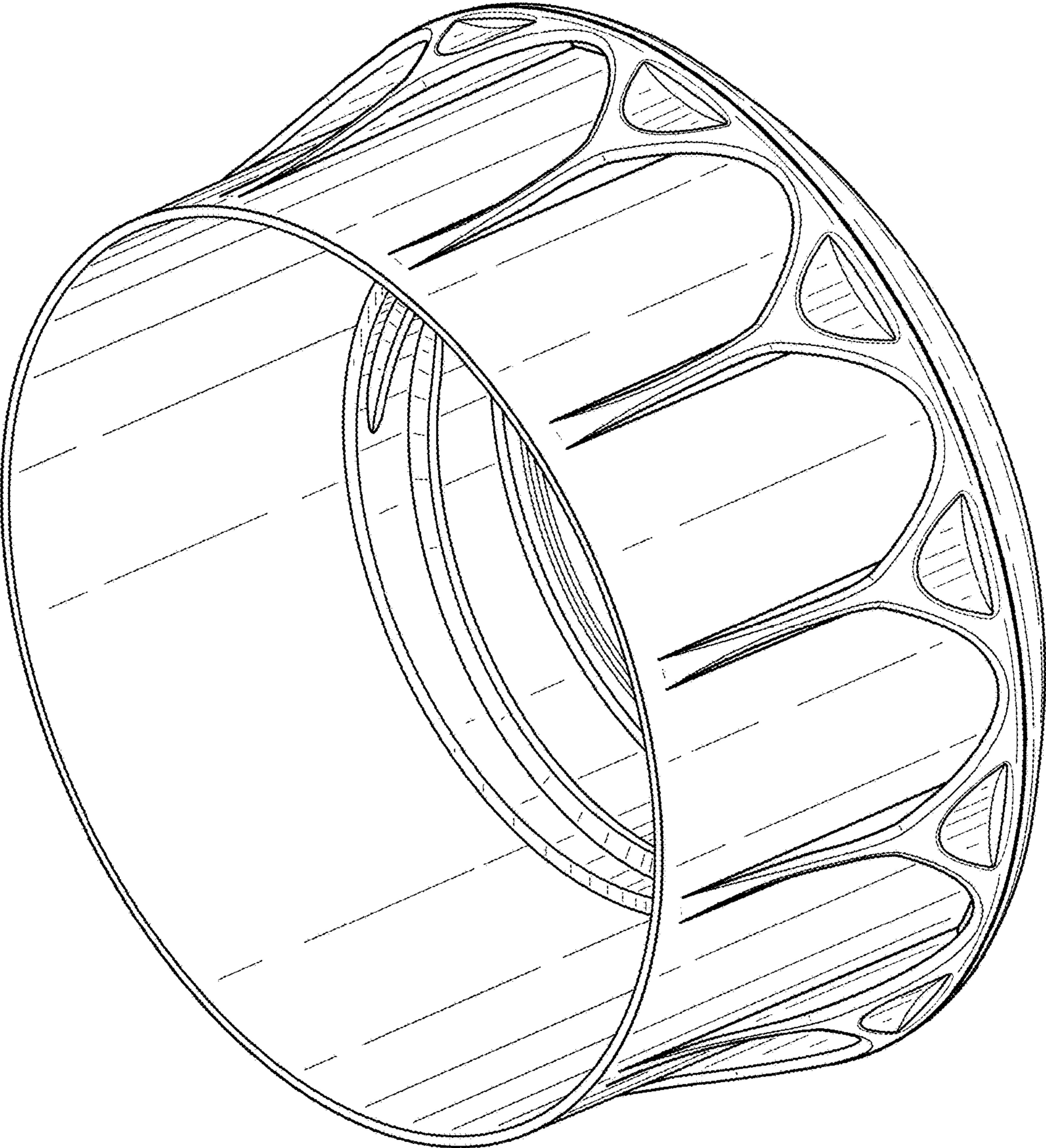


FIG. 7

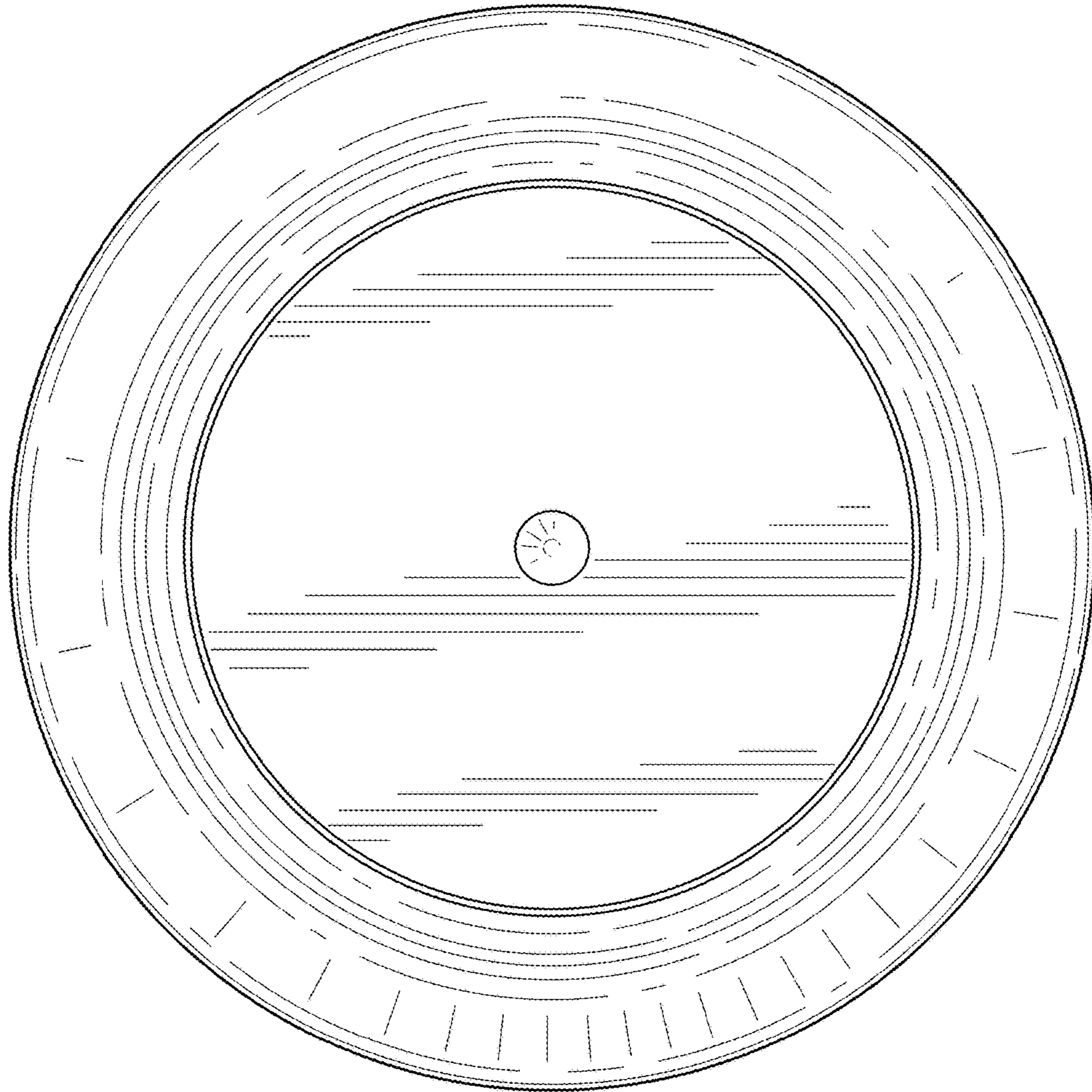


FIG. 8

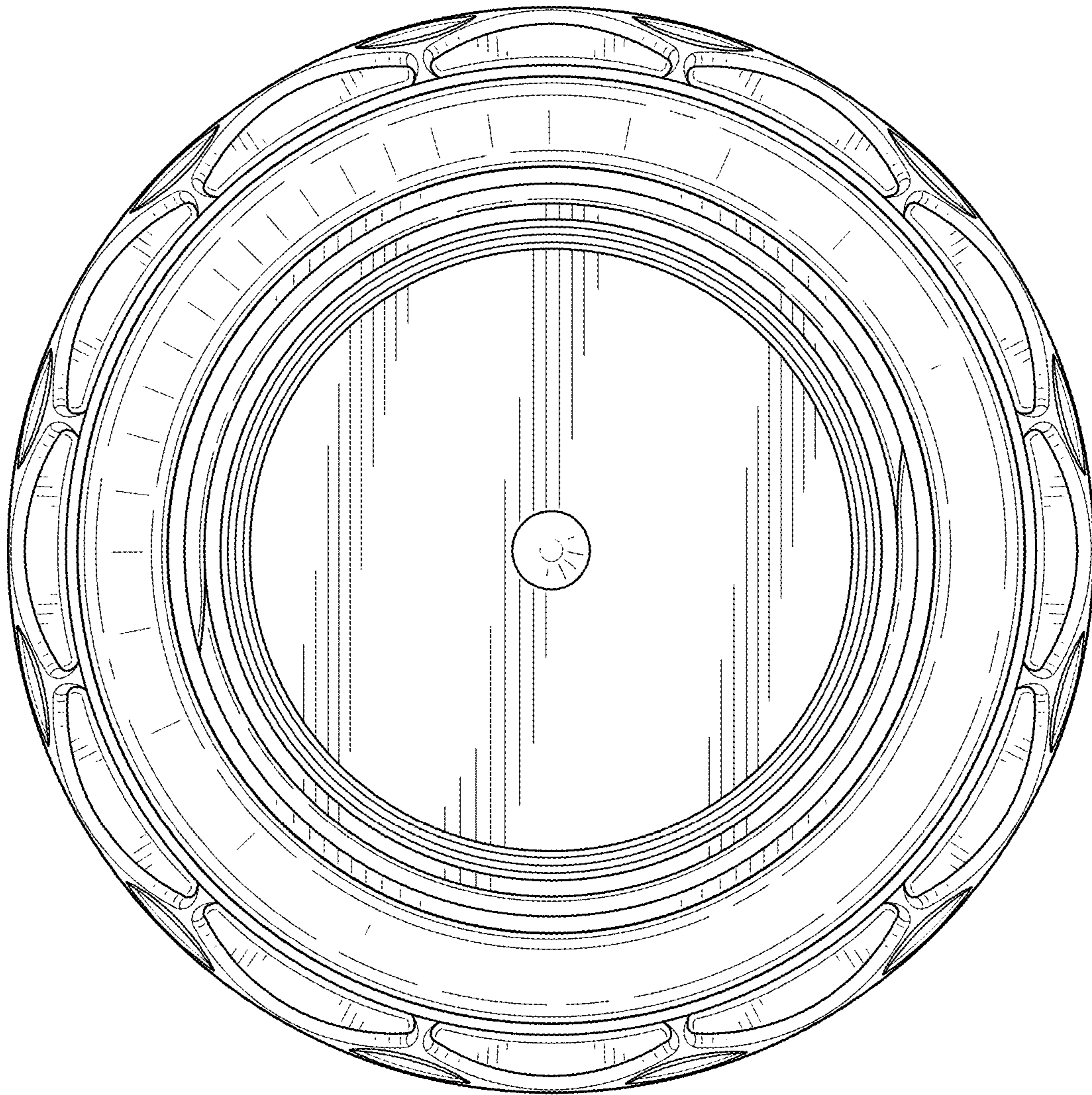


FIG. 9

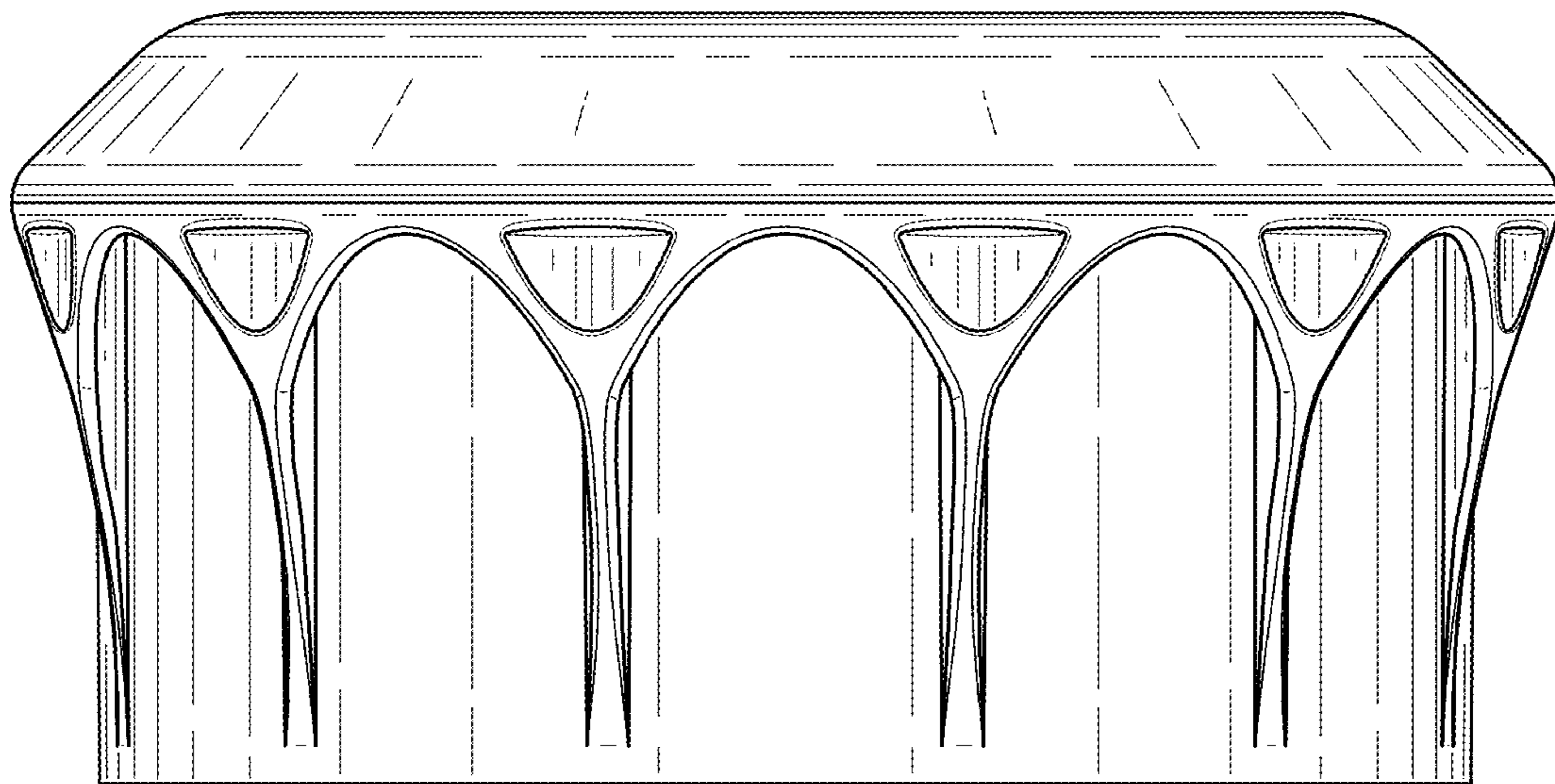


FIG. 10

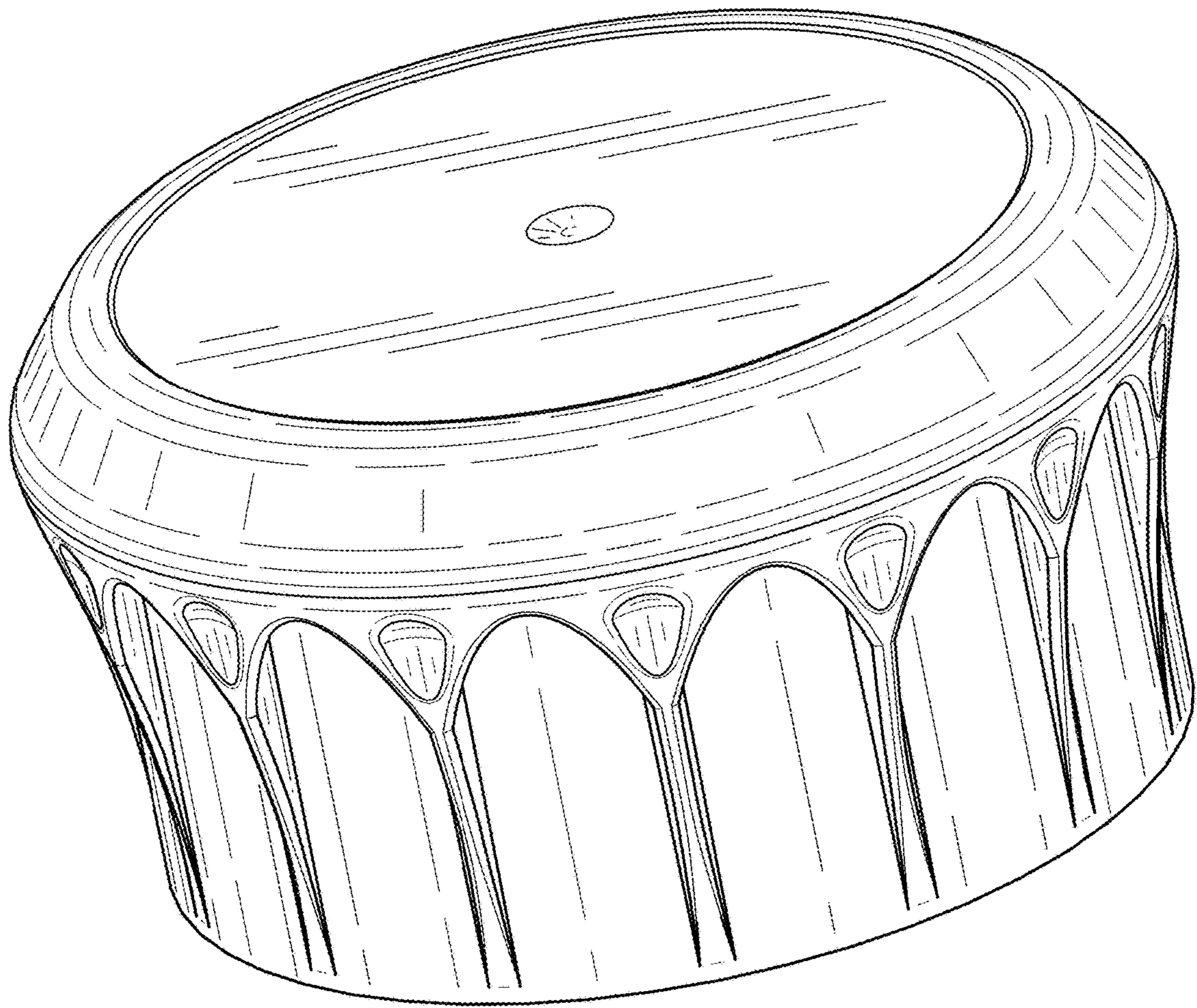


FIG. 11

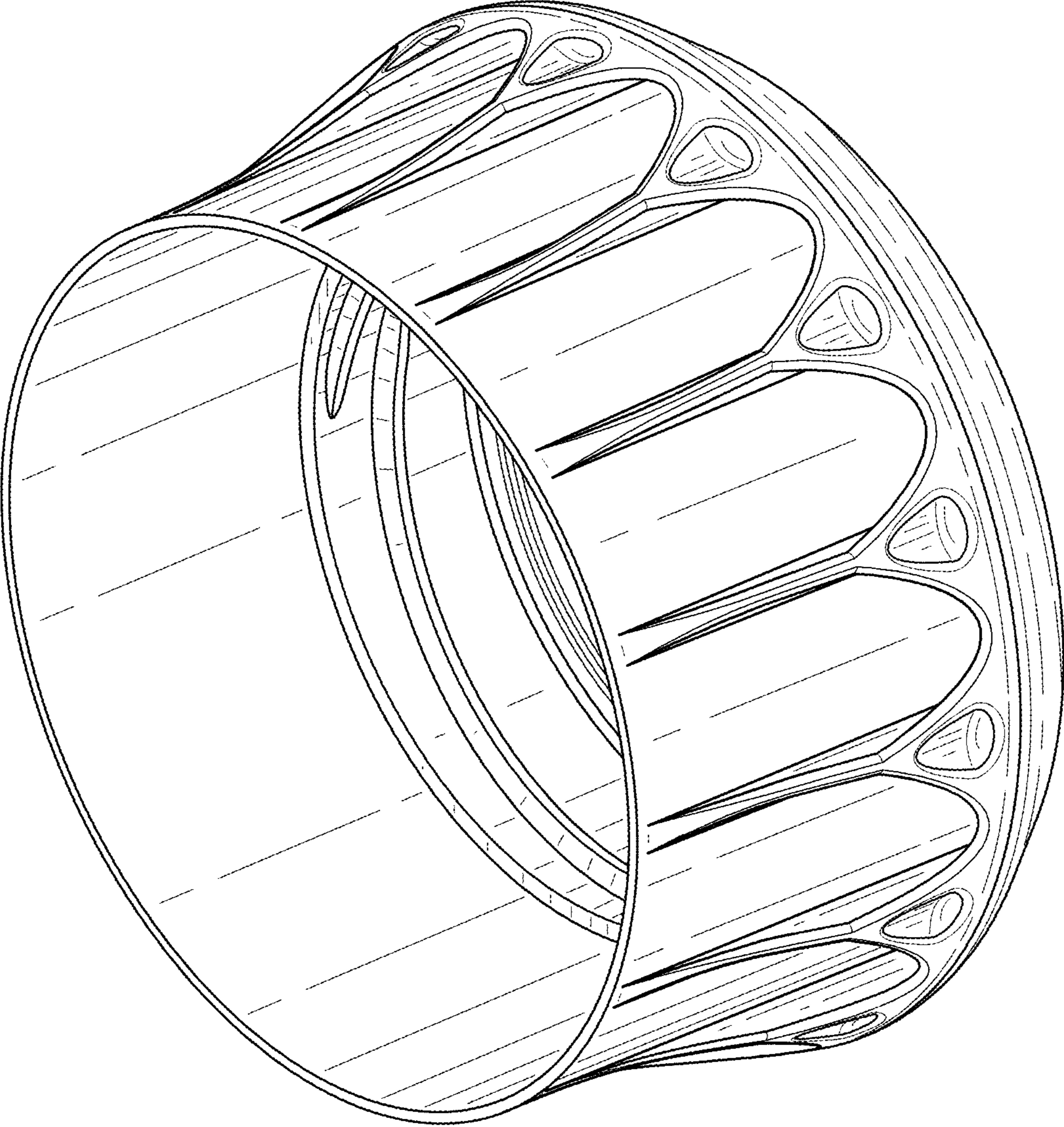


FIG. 12

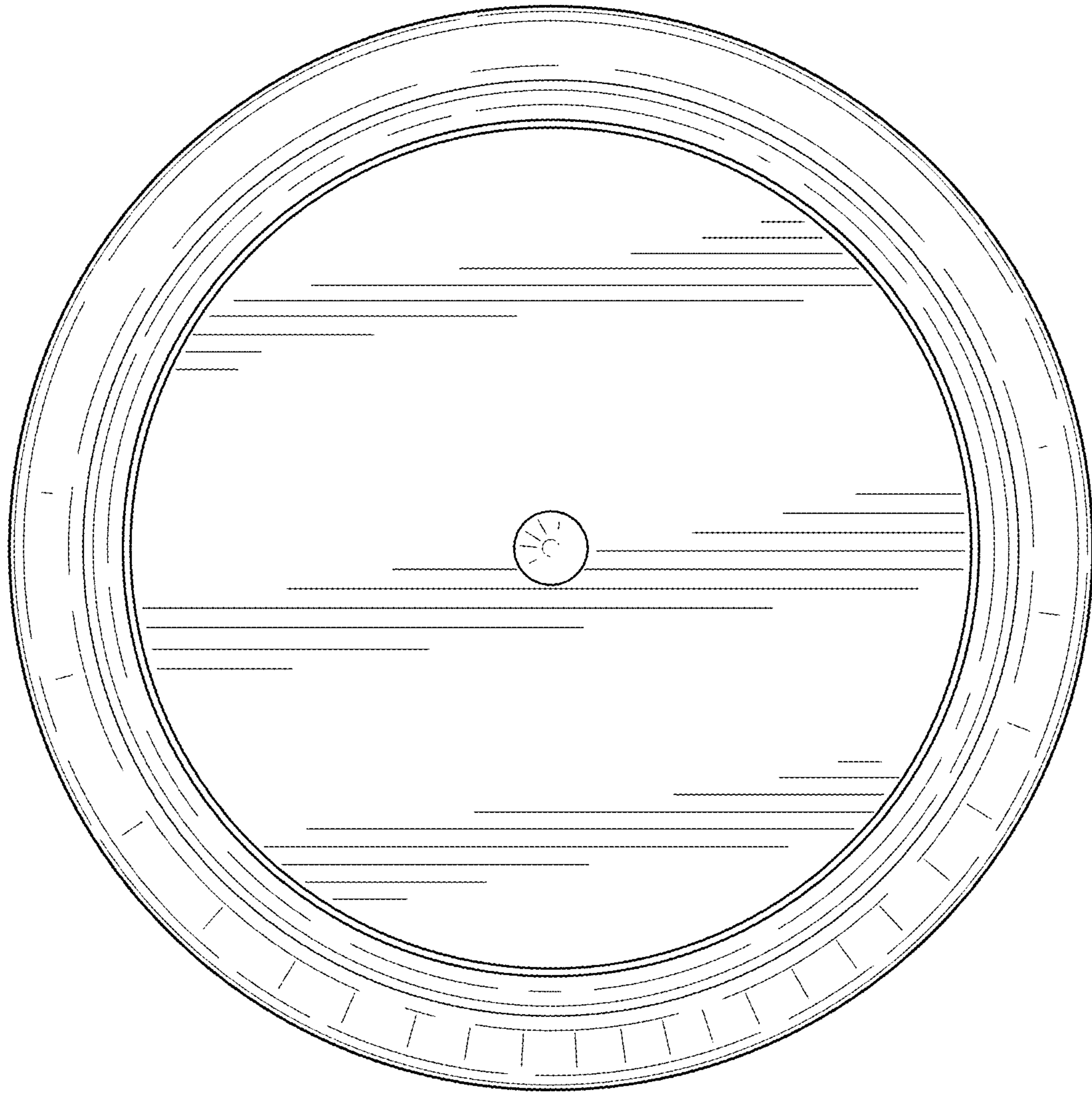


FIG. 13

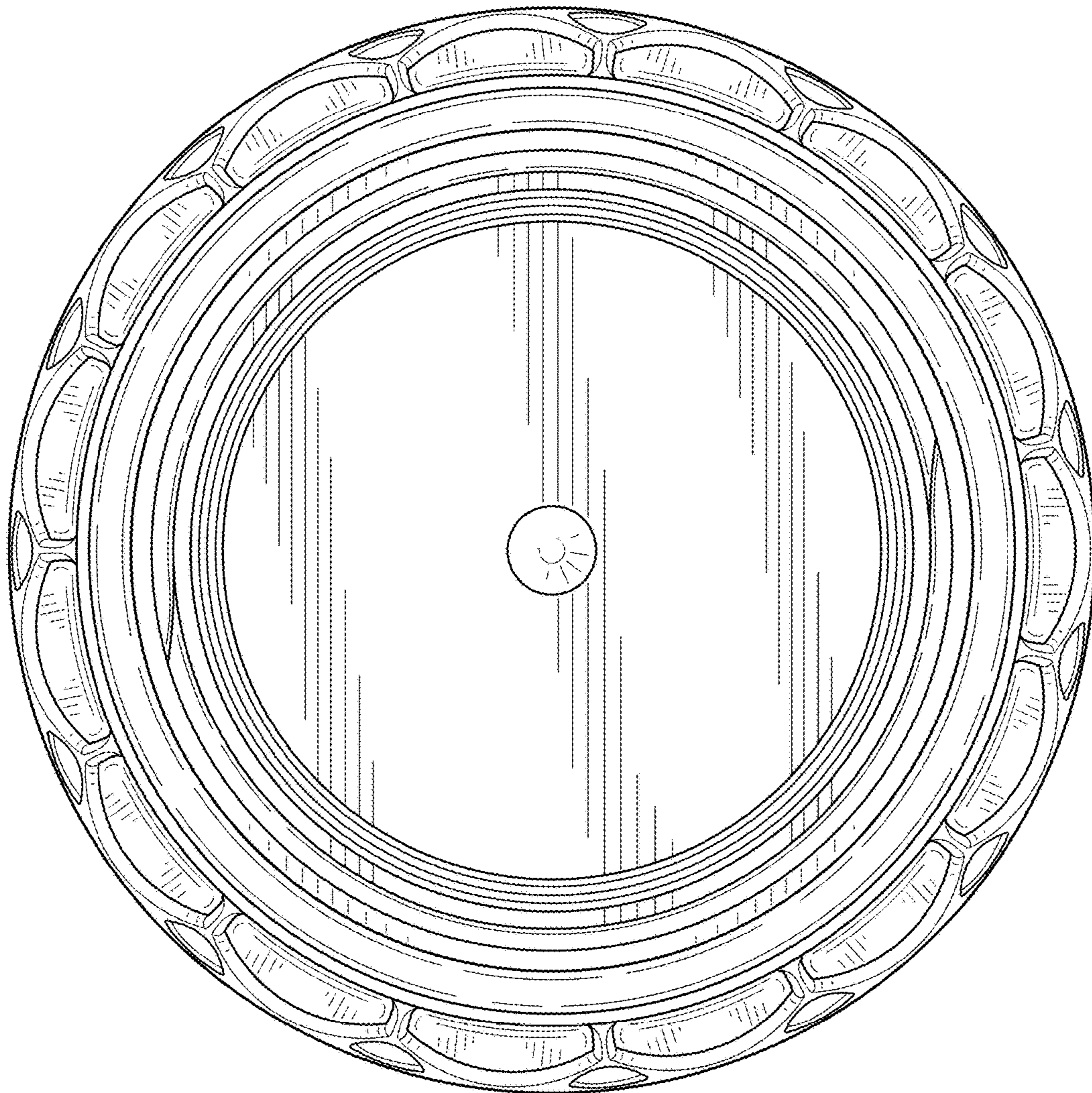


FIG. 14

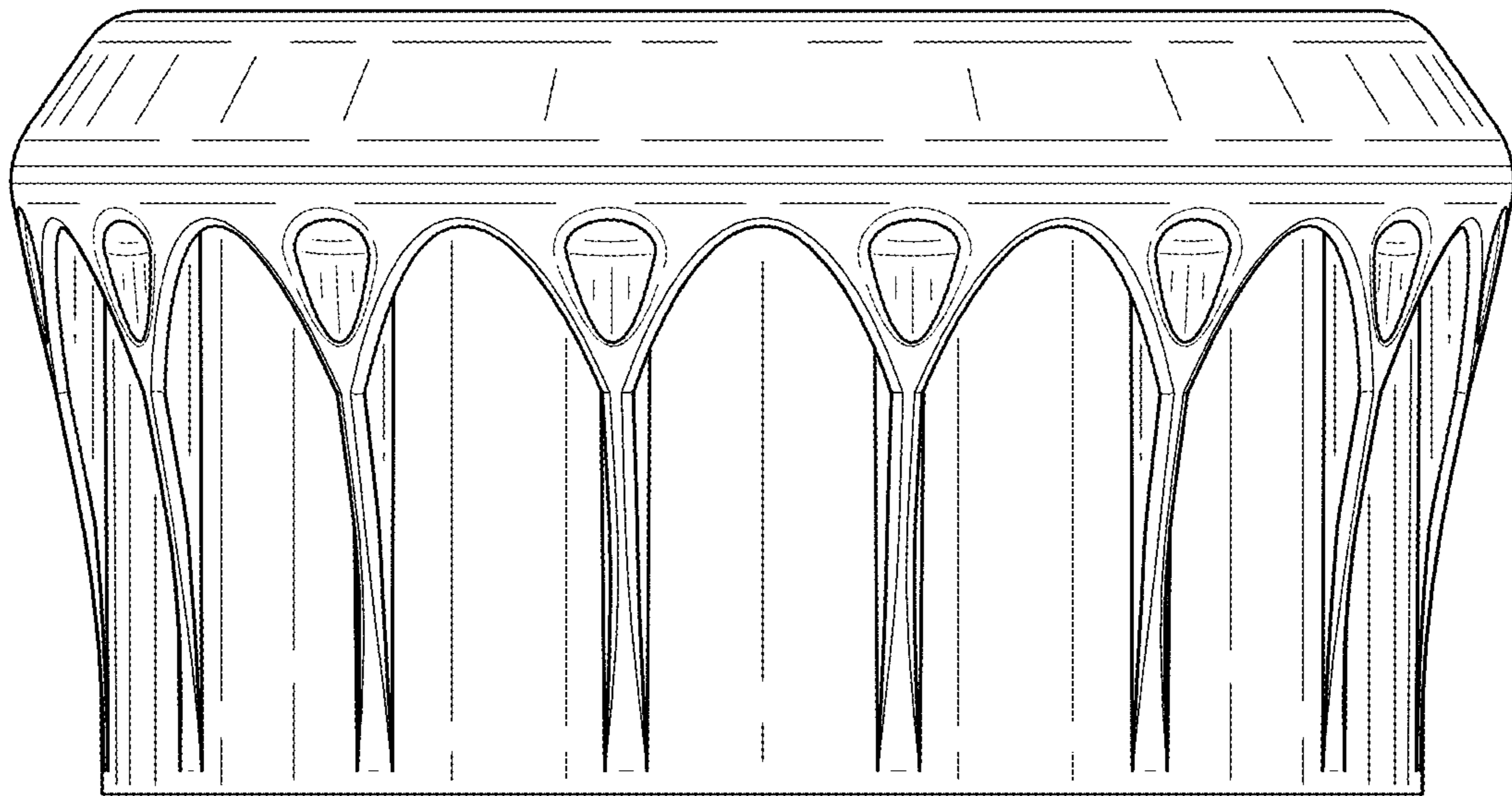


FIG. 15