



US00D846986S

(12) **United States Design Patent** (10) **Patent No.:** **US D846,986 S**
Krafft (45) **Date of Patent:** **** Apr. 30, 2019**

(54) **CAP**
(71) Applicant: **Lyd LLC**, Santa Clara, CA (US)
(72) Inventor: **Fredrik Krafft**, Santa Clara, CA (US)
(73) Assignee: **Fredrik Krafft**, Marina Del Rey, CA (US)
(**) Term: **15 Years**
(21) Appl. No.: **29/560,717**
(22) Filed: **Apr. 8, 2016**
(51) **LOC (11) Cl.** **09-07**
(52) **U.S. Cl.**
USPC **D9/453**
(58) **Field of Classification Search**
USPC D9/428, 429, 434, 435, 442, 443, D9/445-450, 453-456, 499, 682, 684, D9/685, 726; D7/387, 388, 392, 392.1, D7/393, 396.2, 396.3, 396.4, 401.1, 408, D7/504, 507, 509-511, 538, 900; D3/202, 203.2, 318; D28/91.1
CPC .. A61J 1/00; A61J 1/1412; B65D 1/00; B65D 1/02; B65D 1/10; B65D 1/46; B65D 2585/56; B65D 2585/545; B65D 41/00; B65D 41/38; B65D 41/56; B65D 41/62; B65D 47/00; B65D 47/06; B65D 47/08; B65D 2543/00046; B65D 2543/00092; B65D 2543/00296; B65D 5/46; B65D 2251/00
See application file for complete search history.

D446,116 S * 8/2001 Nytko D9/428
D447,053 S * 8/2001 Chagnon D9/428
D468,202 S * 1/2003 Chou D9/425
D499,552 S * 12/2004 Nissanoff D3/273
D518,369 S * 4/2006 Haber D9/424
D587,999 S * 3/2009 Schulthess D9/434
D597,840 S * 8/2009 Biesecker D9/454
D674,689 S * 1/2013 Chen D9/429
D678,771 S * 3/2013 Kawamura D9/452
D695,138 S * 12/2013 Ball D9/435
D710,686 S * 8/2014 Gowens D9/429
D743,785 S * 11/2015 Raphaelson D9/428
D763,691 S * 8/2016 Marantis D9/434
D772,065 S * 11/2016 Mataya D9/436
D789,201 S * 6/2017 Yu D9/453
D799,963 S * 10/2017 Akiyama D9/454
2016/0256358 A1* 9/2016 Freeman B65D 1/10
2017/0066567 A1* 3/2017 Chen A47G 19/22

* cited by examiner

Primary Examiner — Michael A. Pratt
Assistant Examiner — Wendy L Arminio
(74) *Attorney, Agent, or Firm* — K&L Gates

(57) **CLAIM**

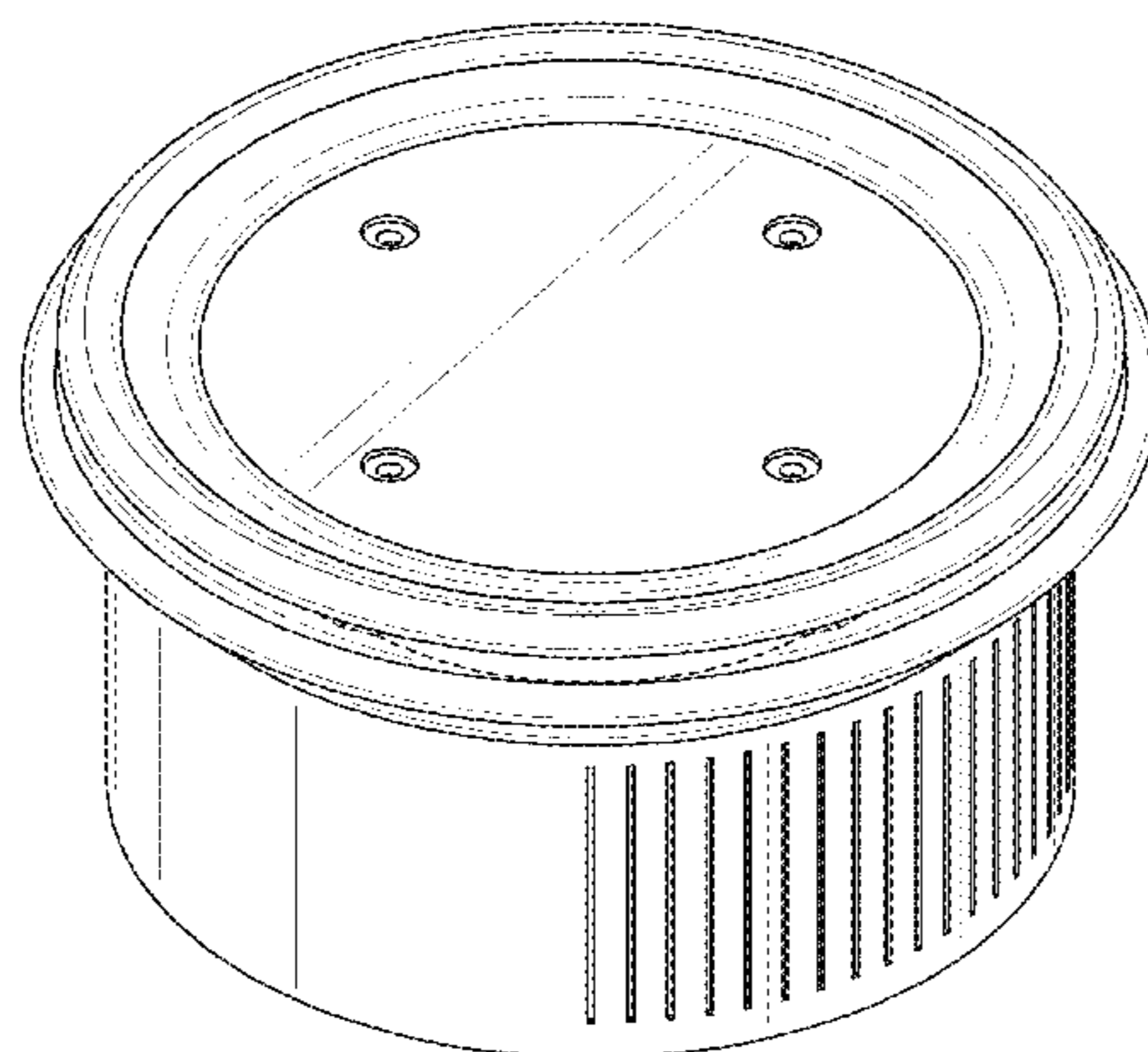
The ornamental design for a cap, as shown and described.

DESCRIPTION

FIG. 1 illustrates a perspective view of a cap;
FIG. 2 illustrates a front elevation view thereof;
FIG. 3 illustrates a back elevation view thereof;
FIG. 4 illustrates a side elevation view thereof;
FIG. 5 illustrates a side elevation view thereof;
FIG. 6 illustrates a top plan view thereof; and,
FIG. 7 illustrates a bottom plan view thereof.
The broken lines depict portions of the cap that form no part of the claimed design.

1 Claim, 7 Drawing Sheets

(56) **References Cited**
U.S. PATENT DOCUMENTS
D315,503 S * 3/1991 Hart D32/53.1
D359,903 S * 7/1995 Arshinoff D9/416



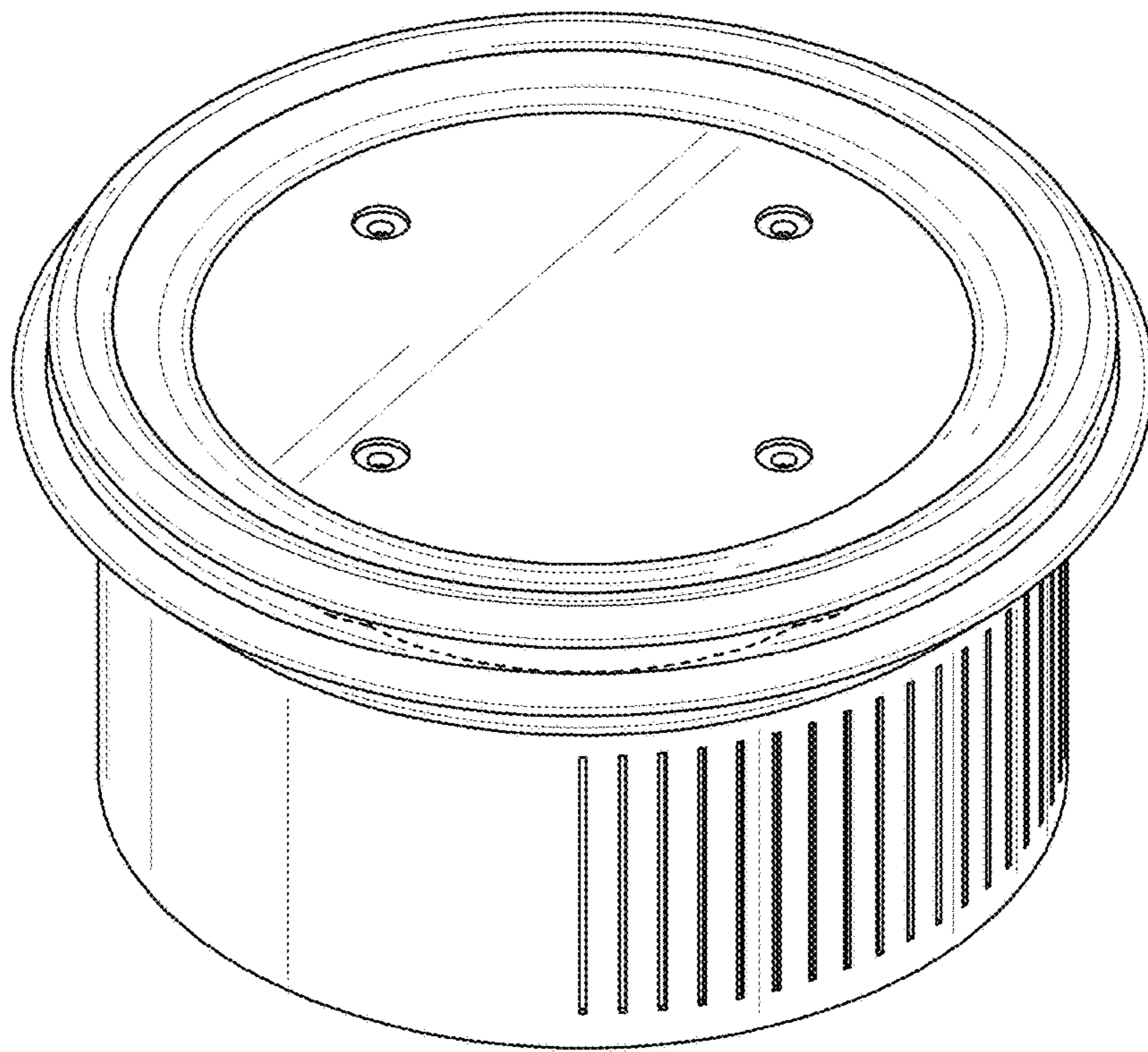


FIG. 1

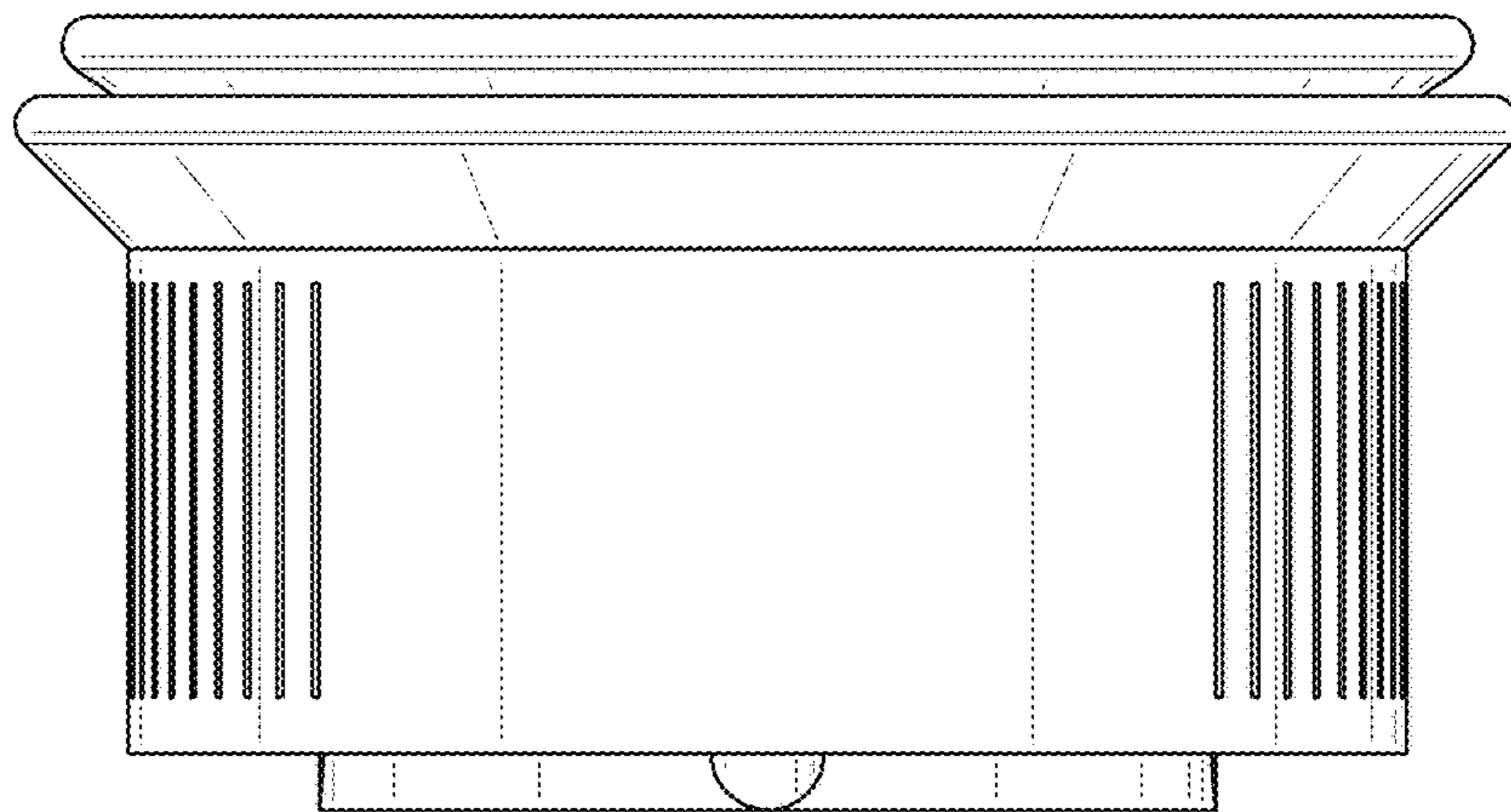


FIG. 2

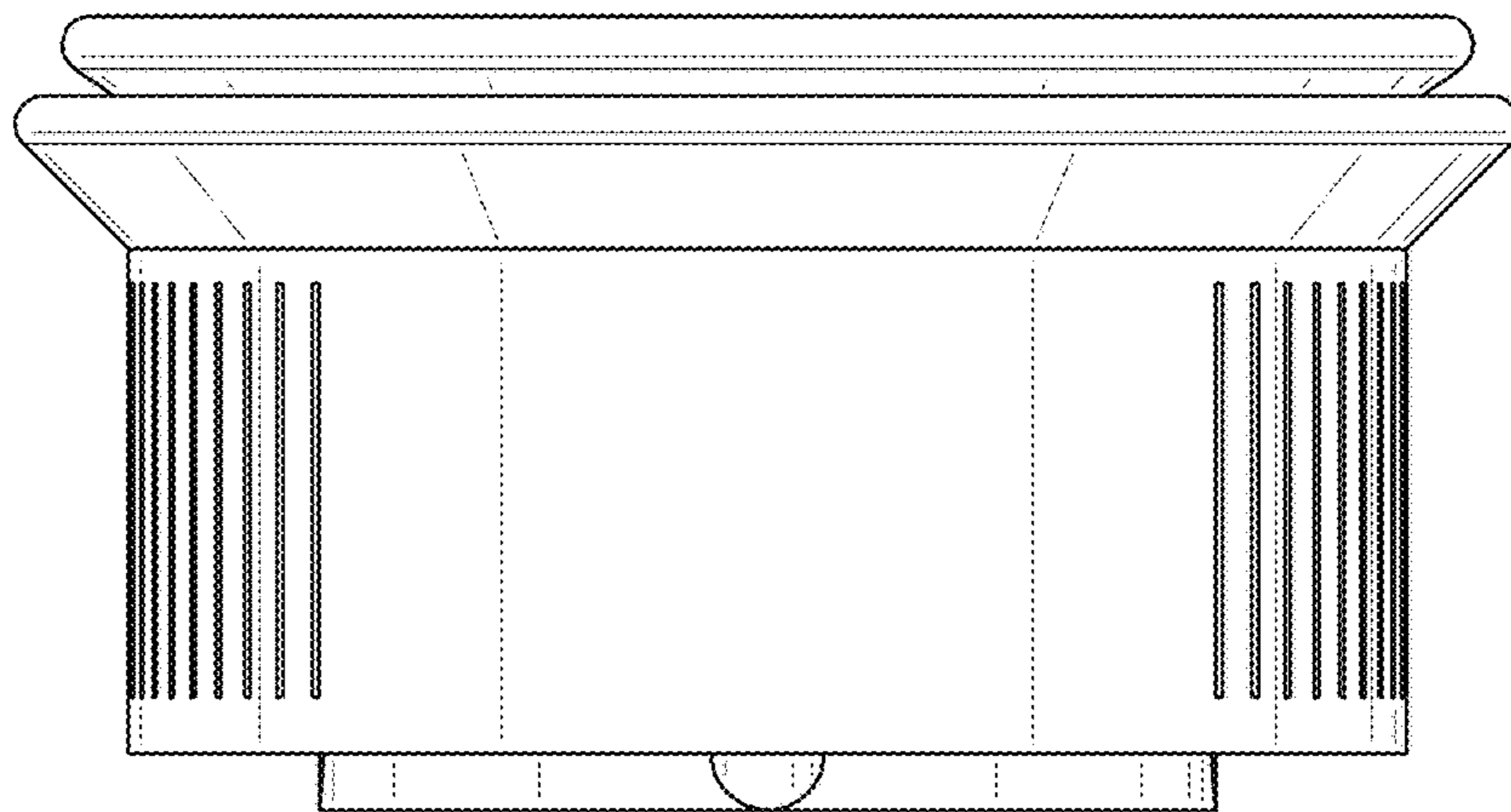


FIG. 3

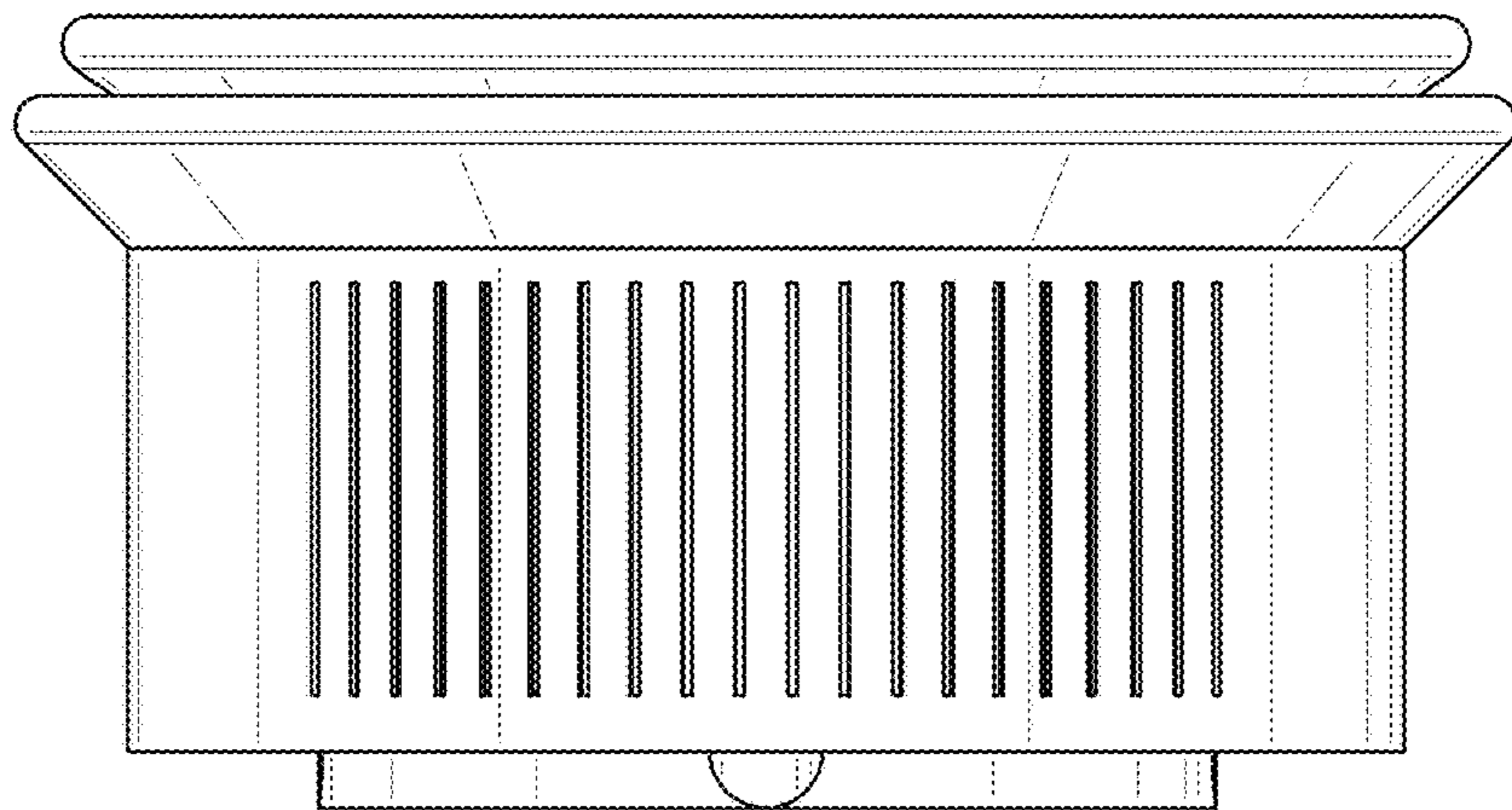


FIG. 4

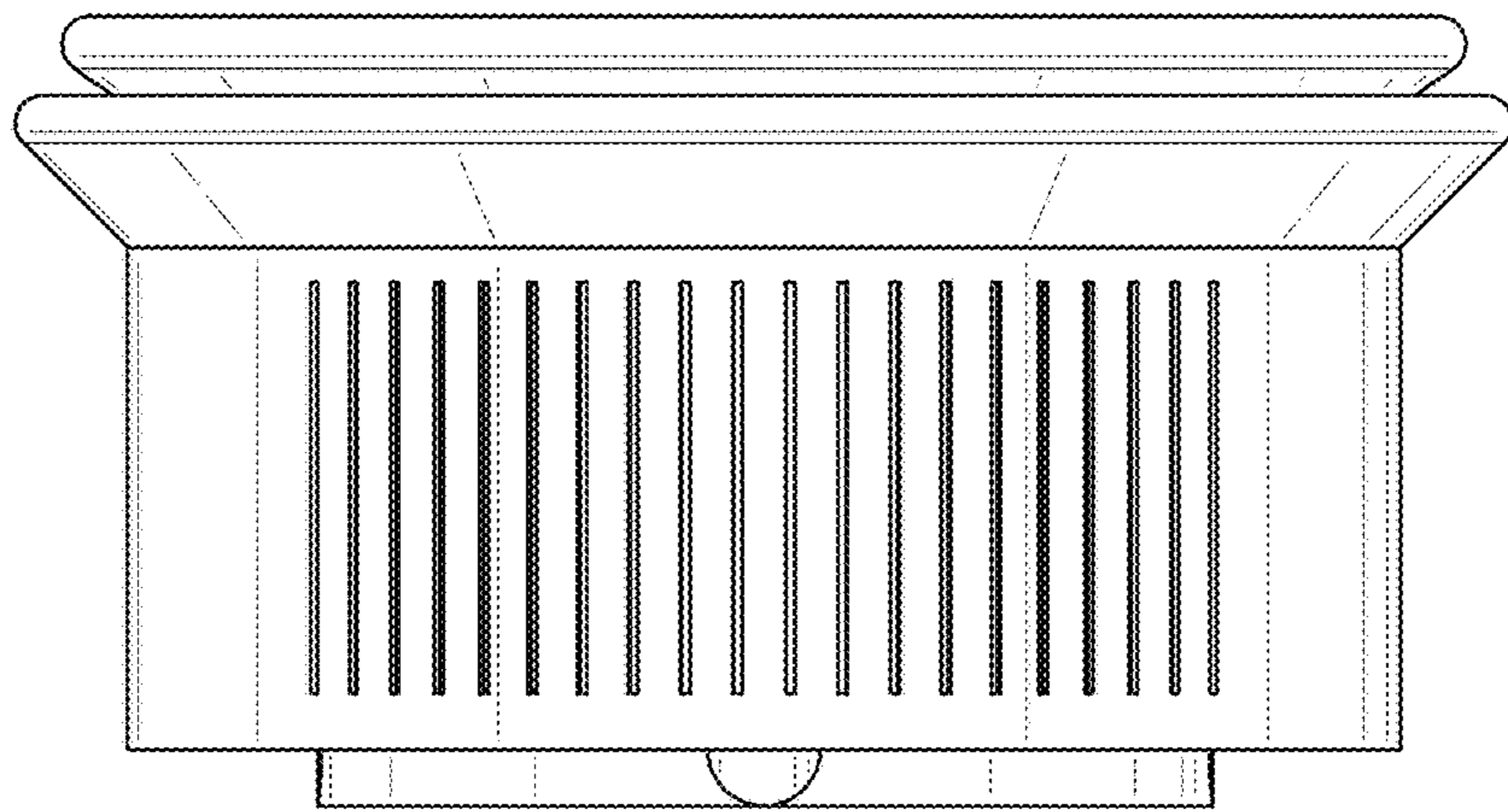


FIG. 5

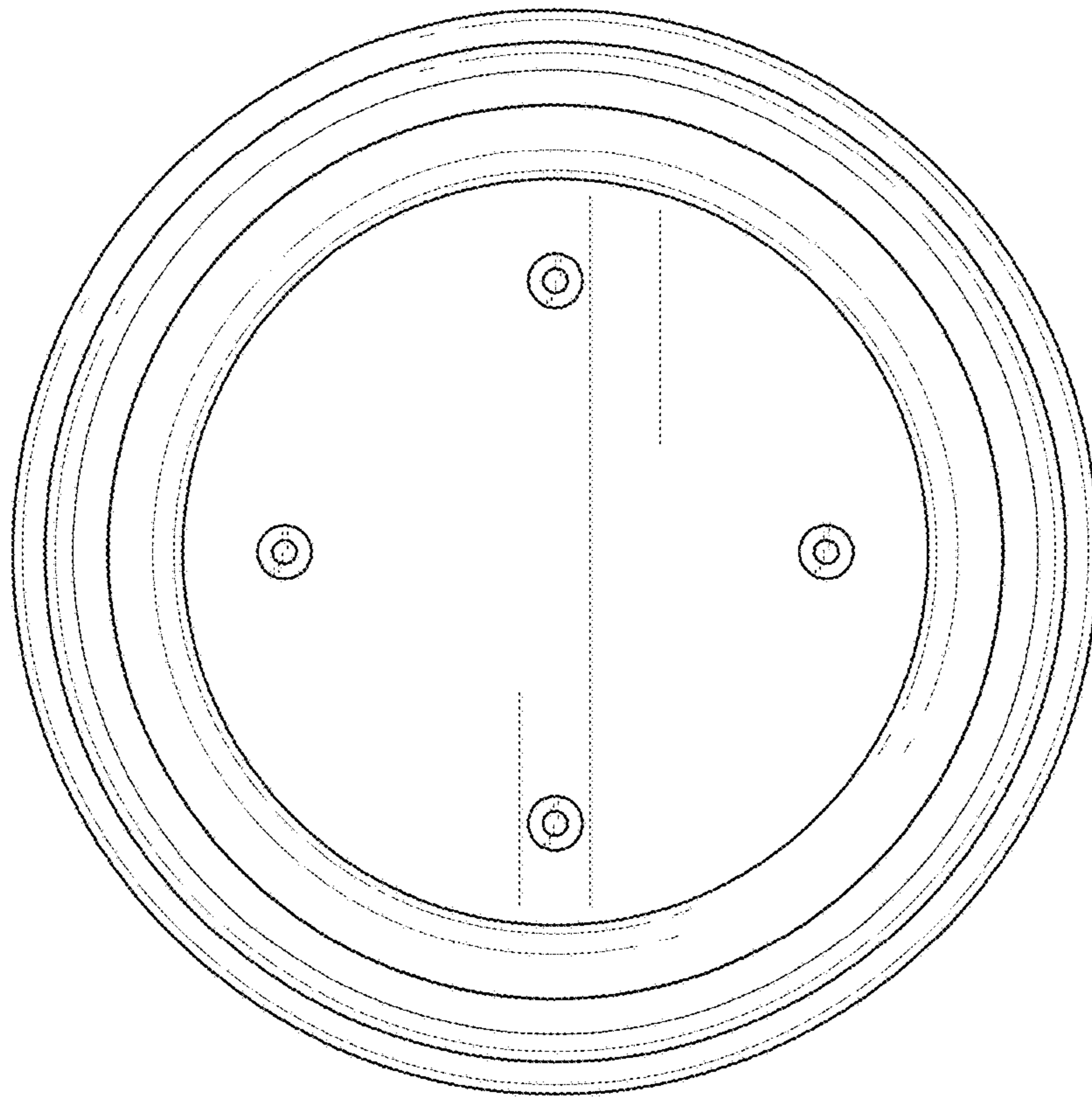


FIG. 6

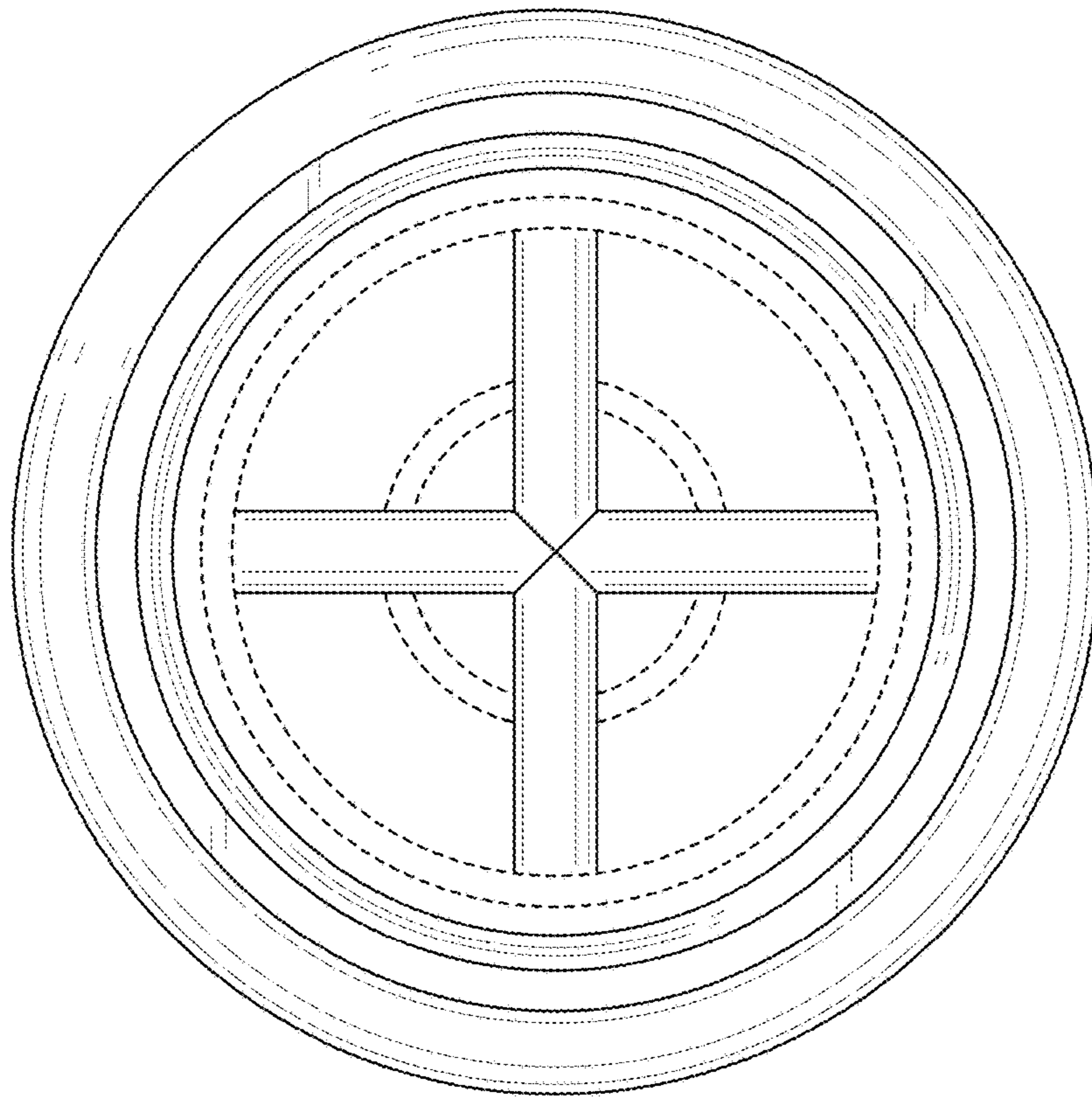


FIG. 7