



US00D846985S

(12) **United States Design Patent**  
**Engel et al.**

(10) **Patent No.:** **US D846,985 S**  
(45) **Date of Patent:** **\*\* Apr. 30, 2019**

- (54) **BEVERAGE CONTAINER LID**
- (71) Applicant: **SNACKTOPS, INC.**, Carlsbad, CA (US)
- (72) Inventors: **Jeff Engel**, Encinitas, CA (US); **Allen Tucker**, Vista, CA (US); **Mike Henry**, Carlsbad, CA (US)
- (73) Assignee: **SNACKTOPS, Inc.**, Carlsbad, CA (US)
- (\*\*) Term: **15 Years**
- (21) Appl. No.: **29/618,705**
- (22) Filed: **Sep. 22, 2017**

**Related U.S. Application Data**

- (63) Continuation of application No. 15/700,155, filed on Sep. 10, 2017, now abandoned, and application No. 15/706,755, Sep. 17, 2017.

- (51) **LOC (11) Cl.** ..... **09-07**
- (52) **U.S. Cl.**  
USPC ..... **D9/452; D7/396.2**

- (58) **Field of Classification Search**  
USPC ..... D7/316, 392, 392.1, 396.2, 397, 510, D7/533; D9/434-436, 440, 443, 445, D9/447, 452-454, 499; D8/300, 301, D8/305, 310, 312  
CPC ..... B65D 41/00; B65D 41/38; B65D 41/56; B65D 41/62; B65D 47/00; B65D 47/06; B65D 47/08; B65D 2543/00046; B65D 2543/00092; B65D 2543/00296; B65D 51/28; B65D 21/0237; B65D 81/3205  
See application file for complete search history.

(56) **References Cited**

**U.S. PATENT DOCUMENTS**

- D417,845 S \* 12/1999 Sadlier ..... D7/511
- D441,288 S \* 5/2001 Pillers ..... D7/392.1

- D457,778 S \* 5/2002 Randolph ..... D7/392.1
- D474,068 S \* 5/2003 Fujii ..... D7/392.1
- D543,777 S \* 6/2007 Seum ..... D7/392.1
- D545,118 S \* 6/2007 Lieberman ..... D7/392.1
- D547,605 S \* 7/2007 Edelstein ..... D7/392.1
- D696,941 S \* 1/2014 Kim ..... D9/447

(Continued)

**OTHER PUBLICATIONS**

Deskgram. Snacktops. Oct. 2017 [earliest online date], [site visited Aug. 29, 2018]. Available from Internet, <URL:https://deskgram.org/p/1629184386652923853\_3907750317>. (Year: 2017).\*

*Primary Examiner* — George D. Krischbaum  
*Assistant Examiner* — Darcey E Gottschalk  
(74) *Attorney, Agent, or Firm* — Manuel de la Cerra

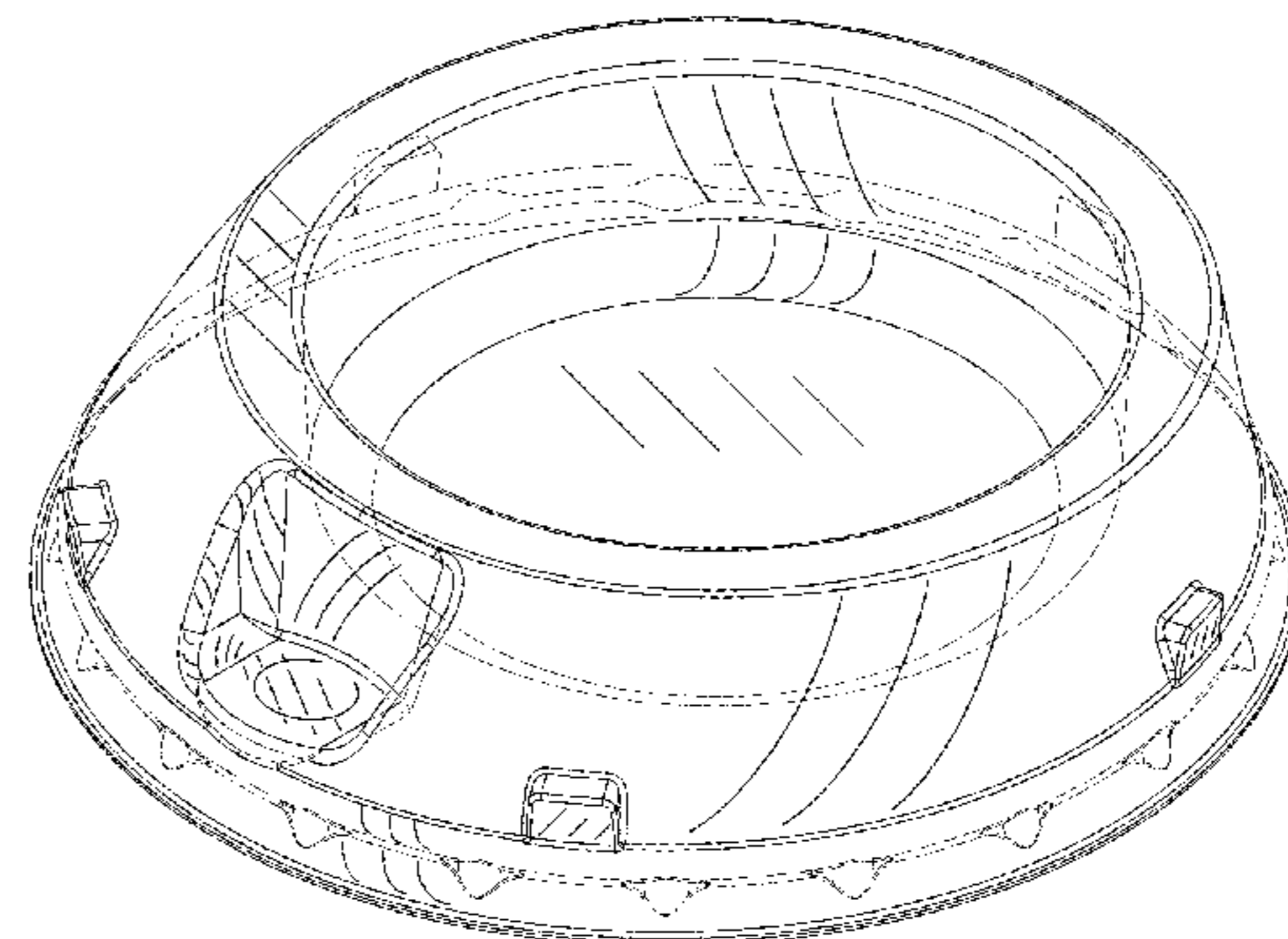
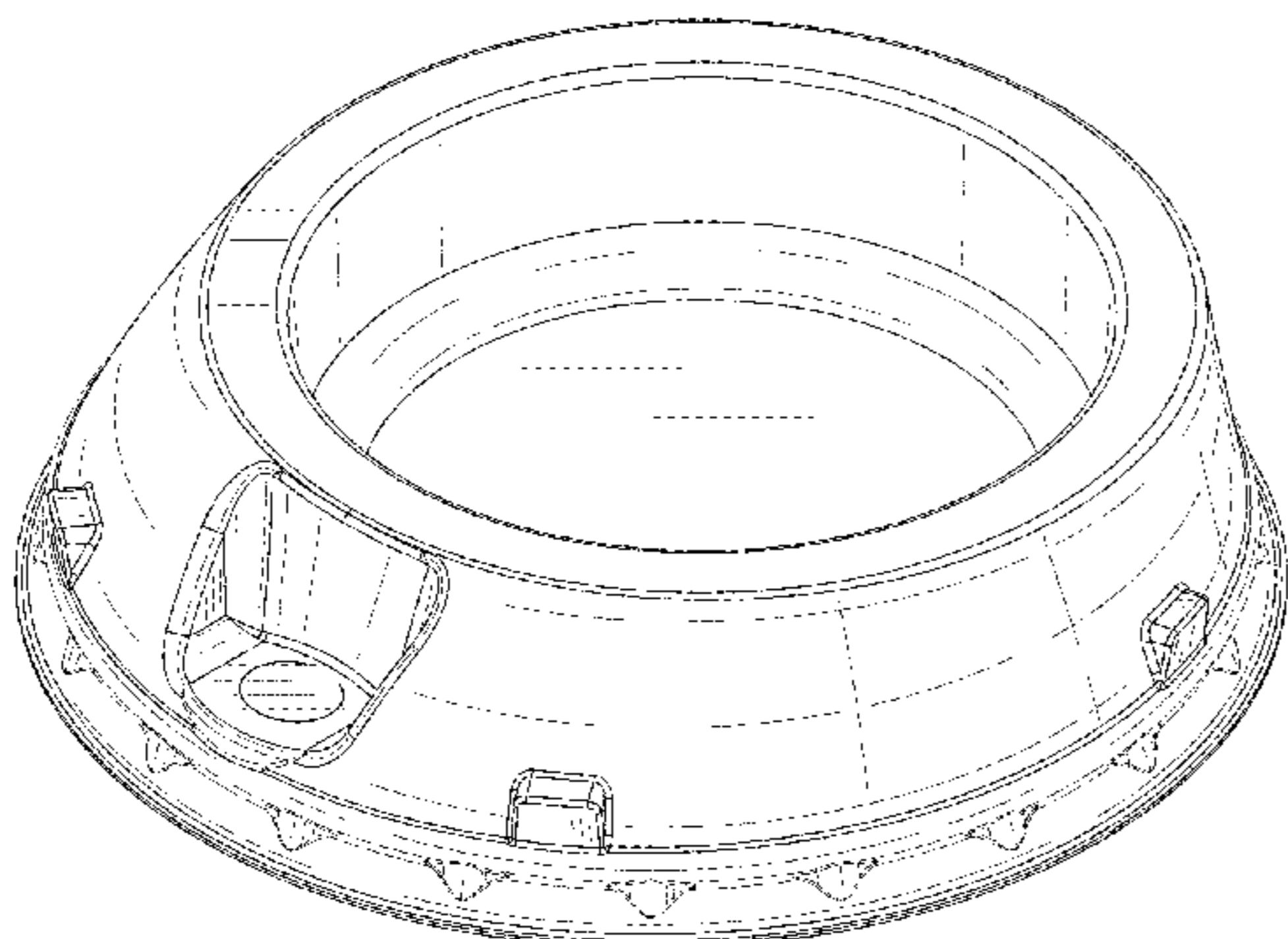
(57) **CLAIM**

The ornamental design for a beverage container lid, as shown and described.

**DESCRIPTION**

FIG. 1 is a top perspective view of a beverage container lid. FIG. 2 is a bottom perspective view thereof. FIG. 3 is a top perspective view of a second embodiment made from transparent material. FIG. 4 is a bottom perspective view thereof made from transparent material. FIG. 5 is a top perspective view of FIG. 1, wherein the lid is attached to a beverage container and a straw. FIG. 6 is a top view thereof. FIG. 7 is a bottom view thereof. FIG. 8 is a front view thereof. FIG. 9 is a rear view thereof. FIG. 10 is a left-side view thereof; and, FIG. 11 is a right-side view thereof. The broken lines in FIG. 5 illustrate environmental structures and form no part of the claimed design.

**1 Claim, 7 Drawing Sheets**



(56)

**References Cited**

U.S. PATENT DOCUMENTS

D696,942 S *	1/2014	Kim .....	D9/447
D696,943 S *	1/2014	Kim .....	D9/447
D704,053 S *	5/2014	Kim .....	A47G 19/2272
			D9/447
D705,058 S *	5/2014	Kim .....	D9/447
D801,810 S *	11/2017	Engel .....	D9/436
D803,051 S *	11/2017	Engel .....	D9/436
D820,634 S *	6/2018	Michie .....	D7/392.1

\* cited by examiner

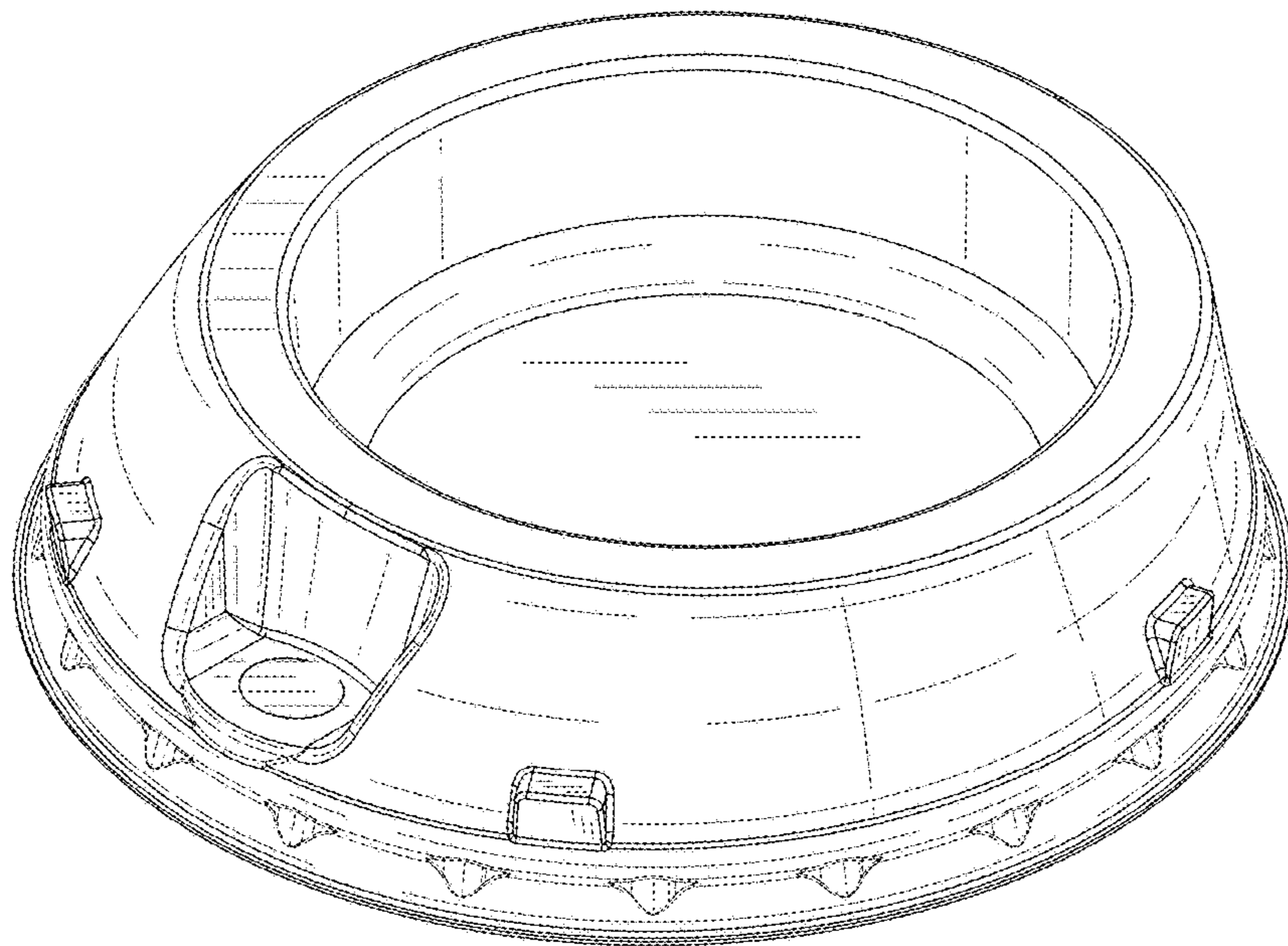


FIG. 1

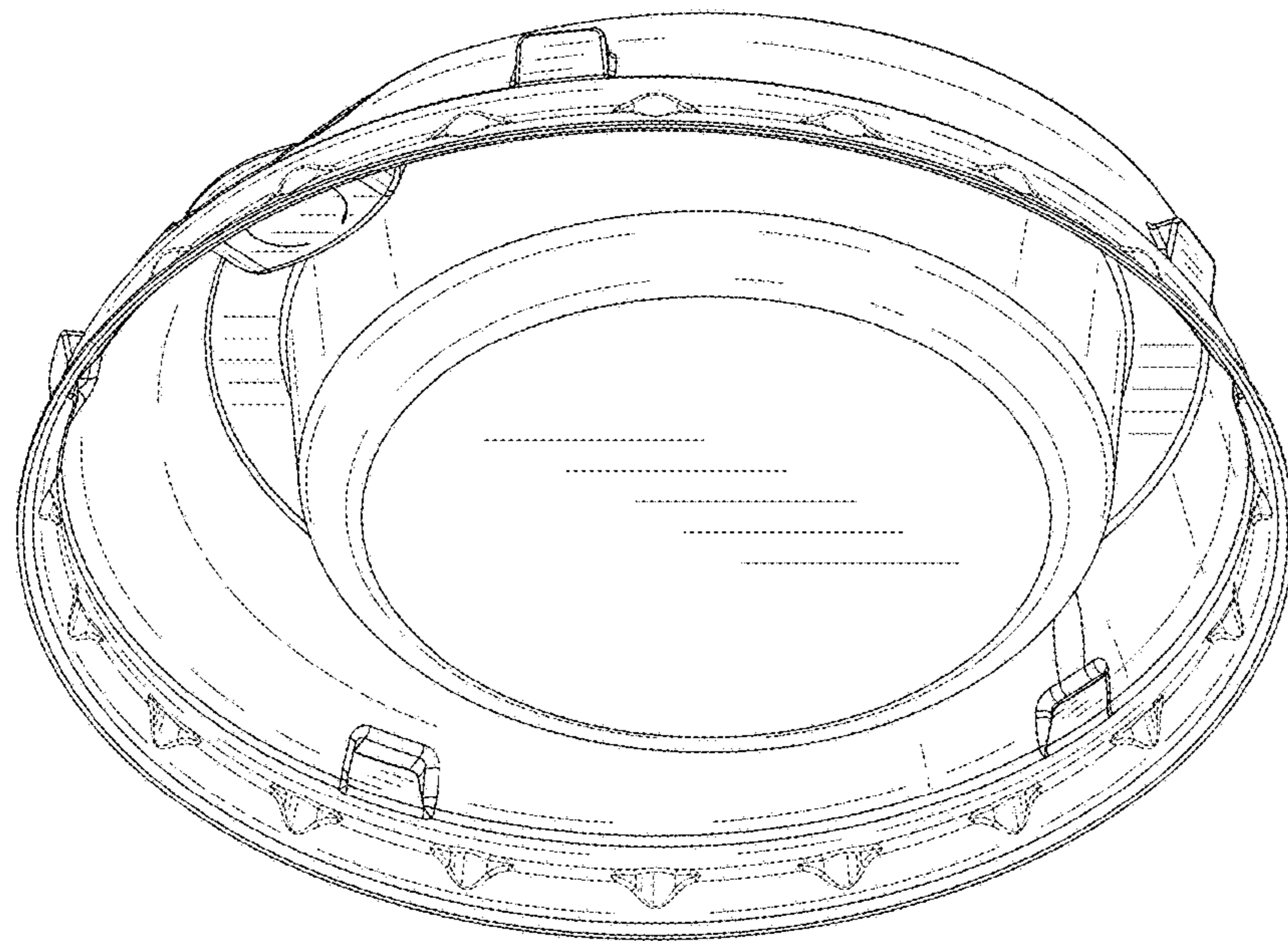


FIG. 2

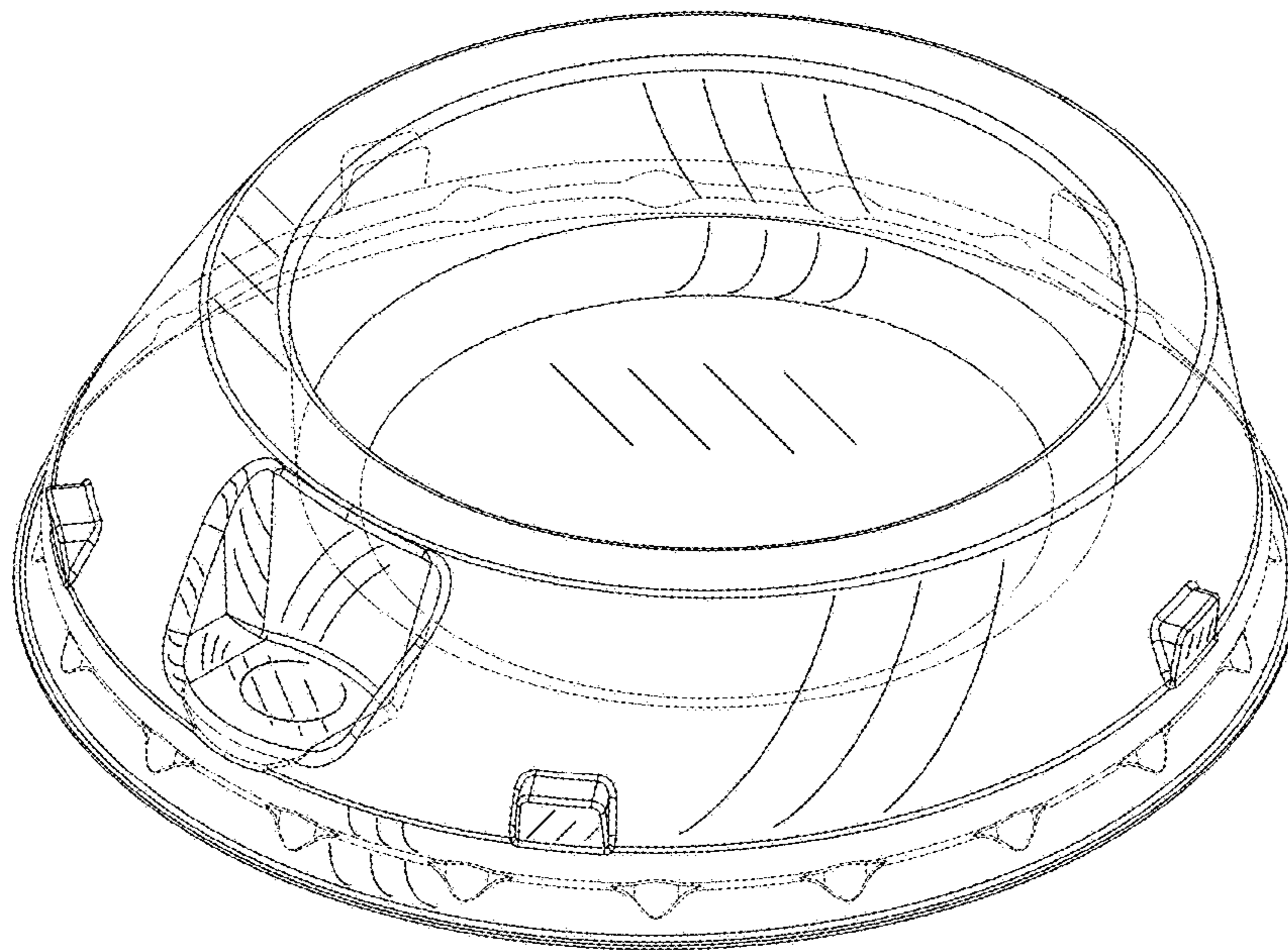


FIG. 3

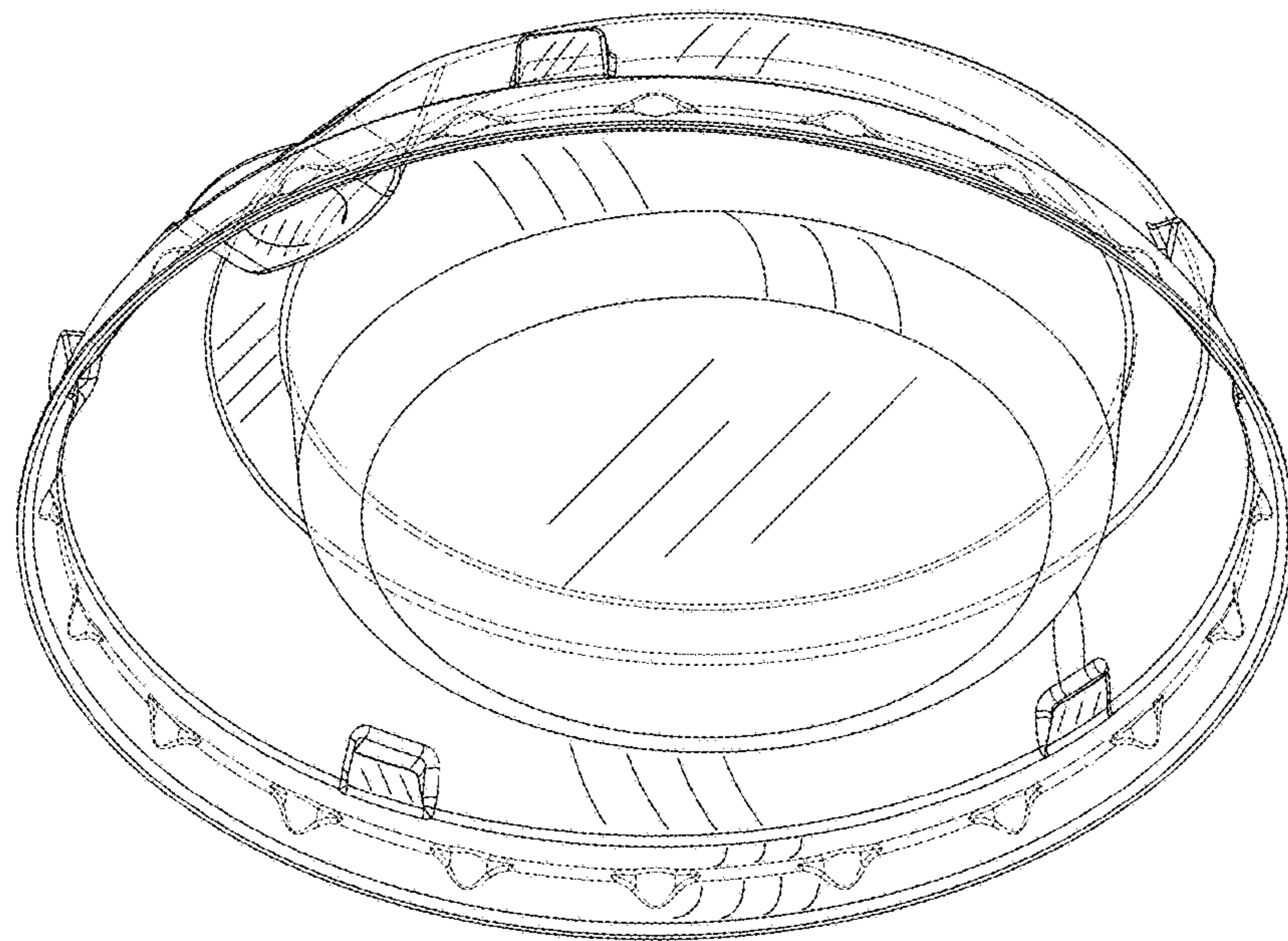


FIG. 4

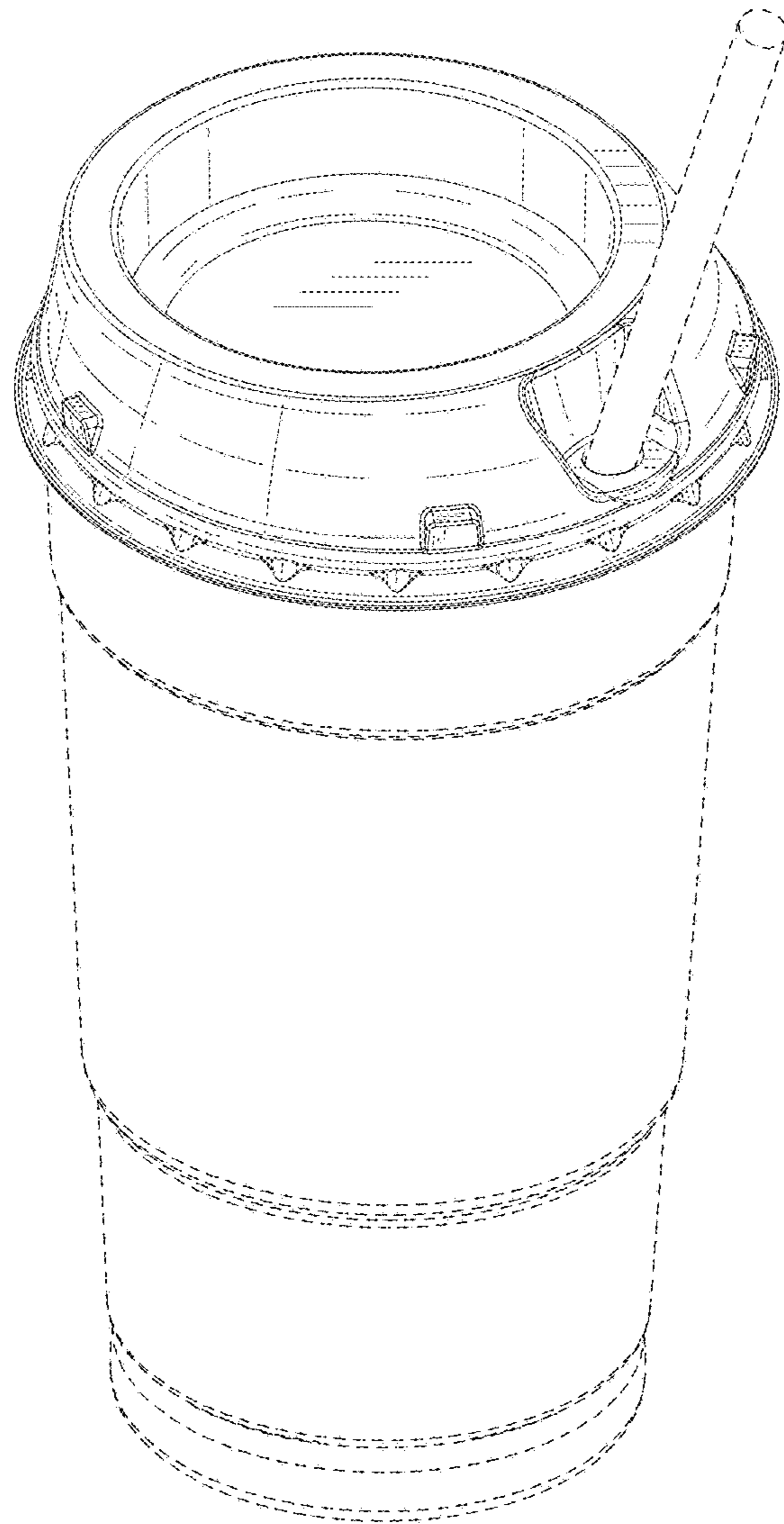


FIG. 5

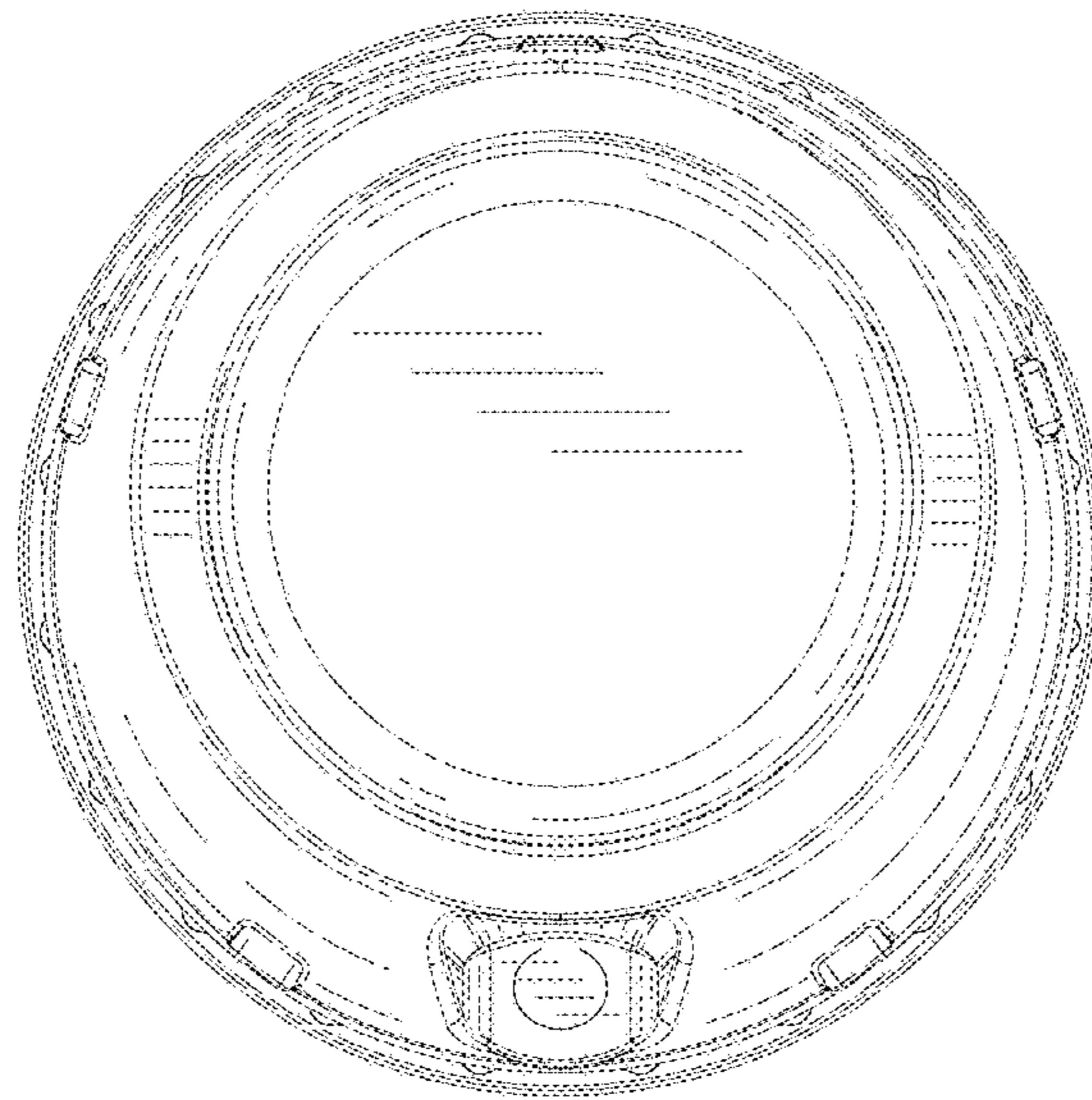


FIG. 6

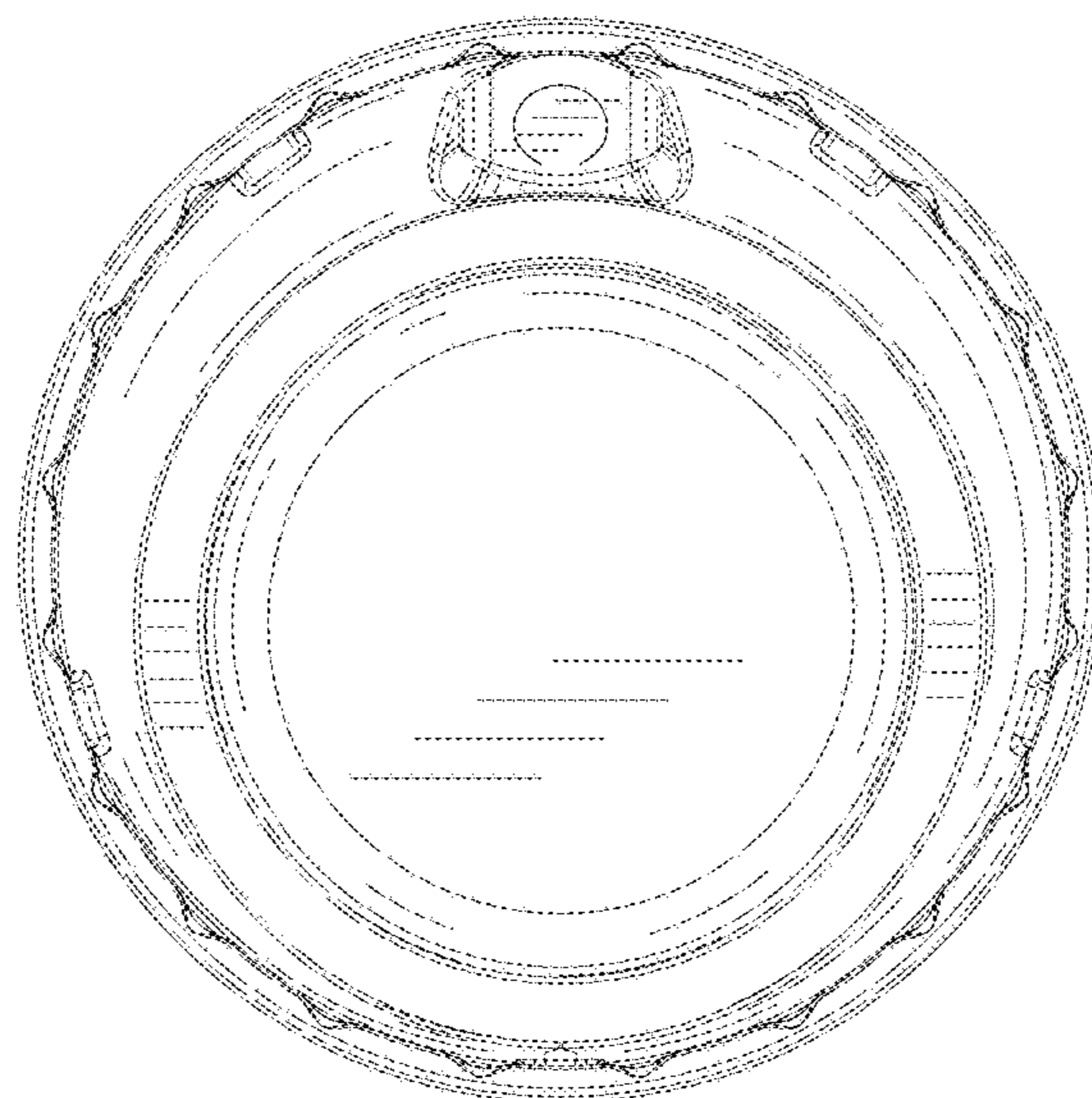


FIG. 7



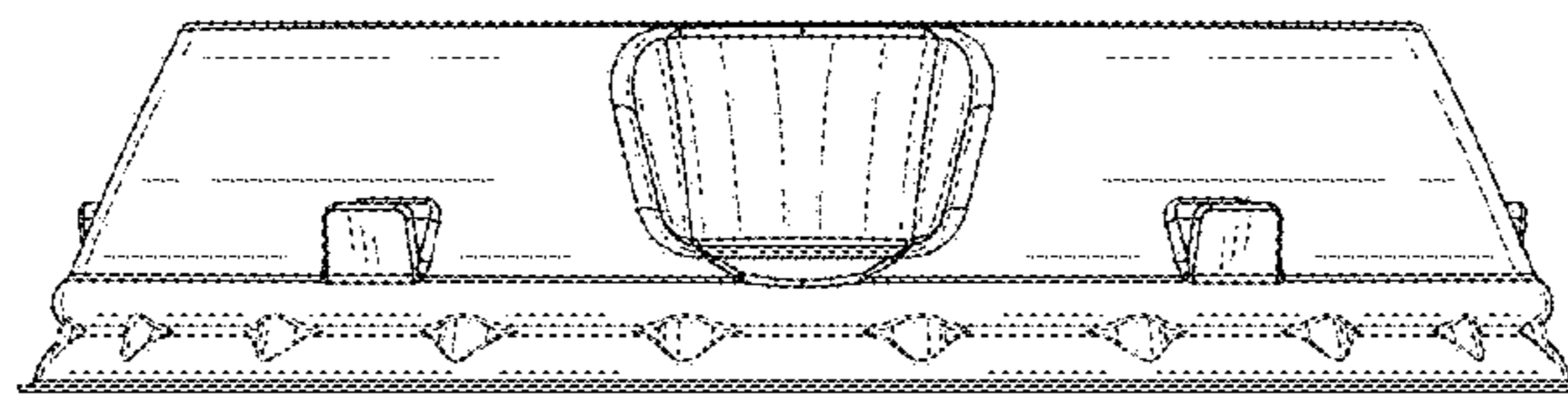


FIG. 8

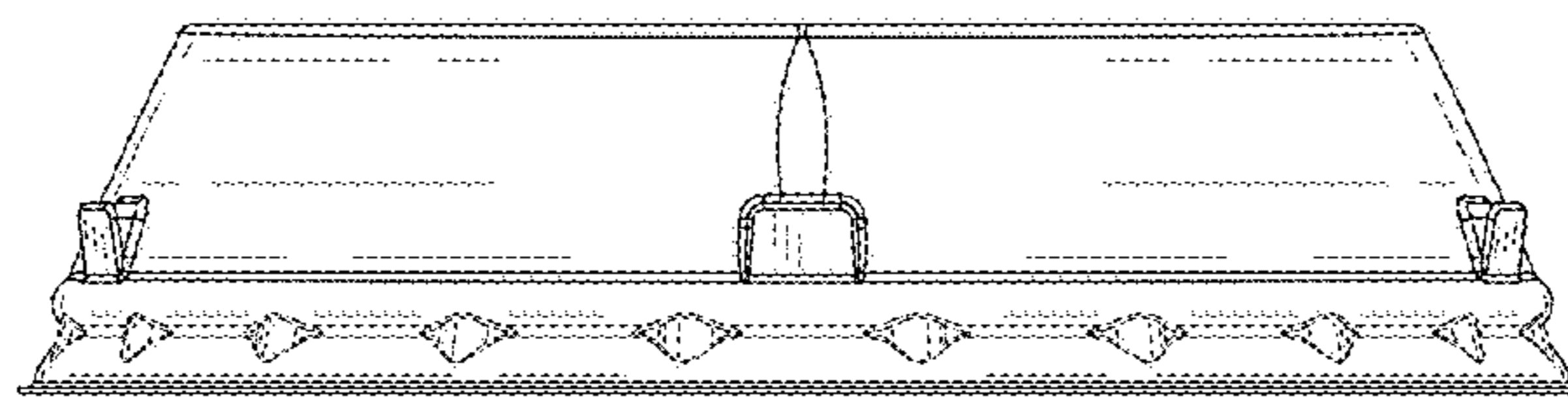


FIG. 9

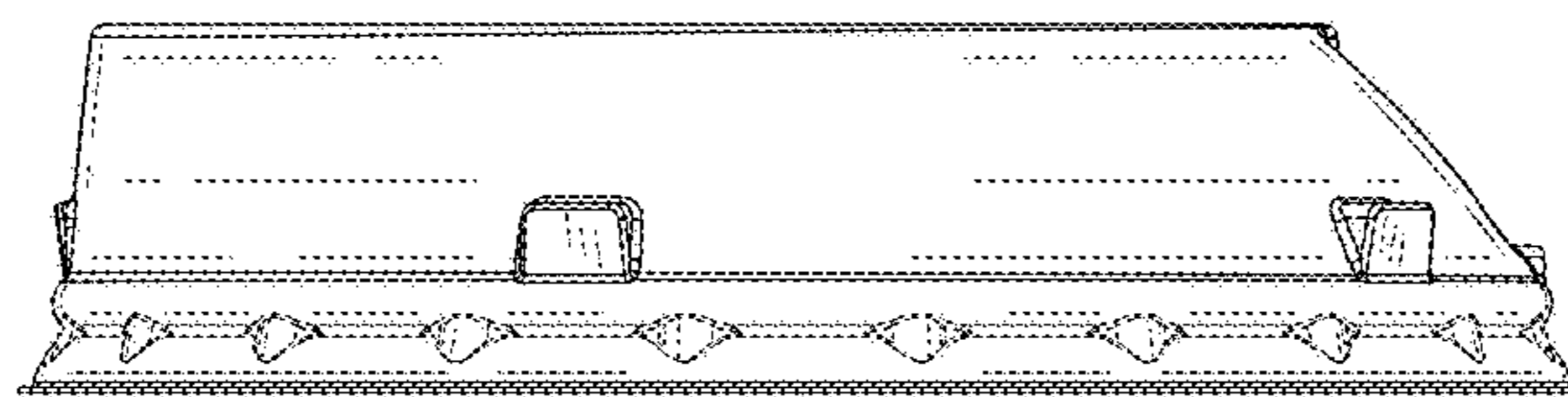


FIG. 10

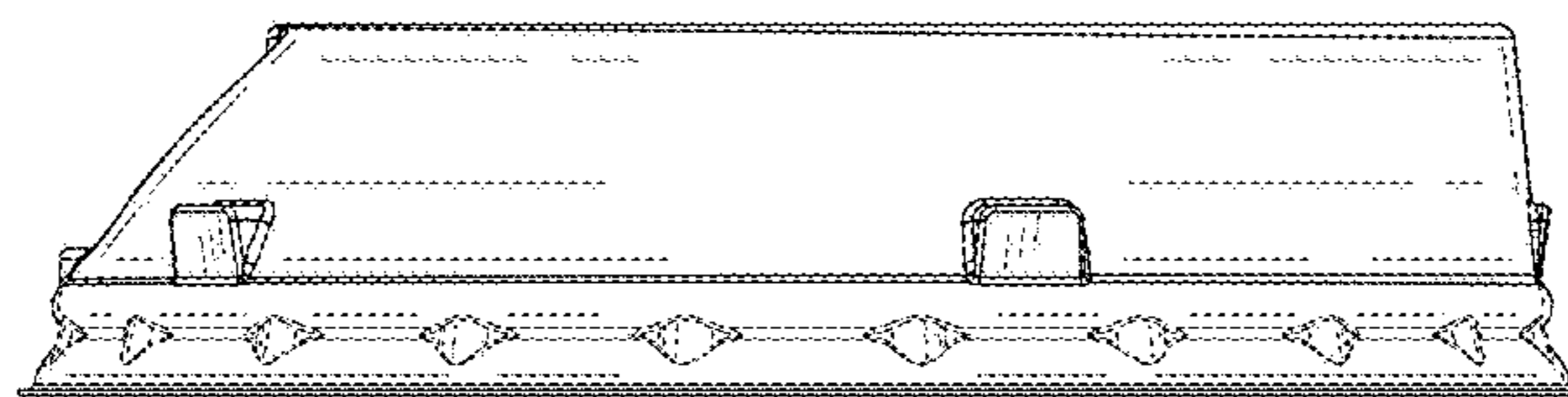


FIG. 11