



US00D846984S

(12) **United States Design Patent** (10) **Patent No.:** **US D846,984 S**
Bos et al. (45) **Date of Patent:** **** Apr. 30, 2019**

(54) **CAP**
(71) Applicant: **Reckitt Benckiser (Brands) Limited**,
Slough, Berkshire (GB)
(72) Inventors: **Randy Bos**, Eindhoven (NL); **Karin Dülker**, Eindhoven (NL); **Bas Groenendaal**, Eindhoven (NL); **Chloe Swaffield**, Slough (GB)
(73) Assignee: **RECKITT BENCKISER (BRANDS) LIMITED**, Slough, Berkshire (GB)
(**) Term: **15 Years**
(21) Appl. No.: **29/609,959**
(22) Filed: **Jul. 7, 2017**
(30) **Foreign Application Priority Data**
Jan. 25, 2017 (EP) 003707074-0002
Jan. 25, 2017 (EP) 003707074-0003
(51) **LOC (11) Cl.** **09-07**
(52) **U.S. Cl.**
USPC **D9/448**
(58) **Field of Classification Search**
USPC D9/434-436, 438, 440, 443, 447-449,
D9/454, 499, 690
CPC B65D 41/00; B65D 41/56; B65D 41/62;
B65D 47/08; B05B 11/3059; B05B
11/3001
See application file for complete search history.

(56) **References Cited**
U.S. PATENT DOCUMENTS
D206,968 S * 2/1967 Pizzurro D9/448
D208,886 S * 10/1967 Vuillemenot D9/448
D220,943 S * 6/1971 Beck D9/448
D222,853 S * 1/1972 Carpenter D9/448
D227,659 S * 7/1973 Johnson D9/448
D255,012 S * 5/1980 Ostrowsky D9/448

D291,782 S * 9/1987 O'Neil, Jr. D9/448
D308,944 S * 7/1990 Lasorso, Jr. D9/448
D314,917 S * 2/1991 Thompson D9/448
D378,802 S * 4/1997 Corcoran D9/448
D392,186 S * 3/1998 Smith D9/448
D407,018 S * 3/1999 Soller D9/448
(Continued)

OTHER PUBLICATIONS

Youtube. Camera Stages Videos—Lysol spray, germ safety review. Nov. 24, 2015. <URL:https://www.youtube.com/watch?v=ZMCWFpt4cBM>. (Year: 2015).*

Primary Examiner — George D. Kirschbaum
Assistant Examiner — Darcey E Heflin
(74) *Attorney, Agent, or Firm* — Norris McLaughlin, PA

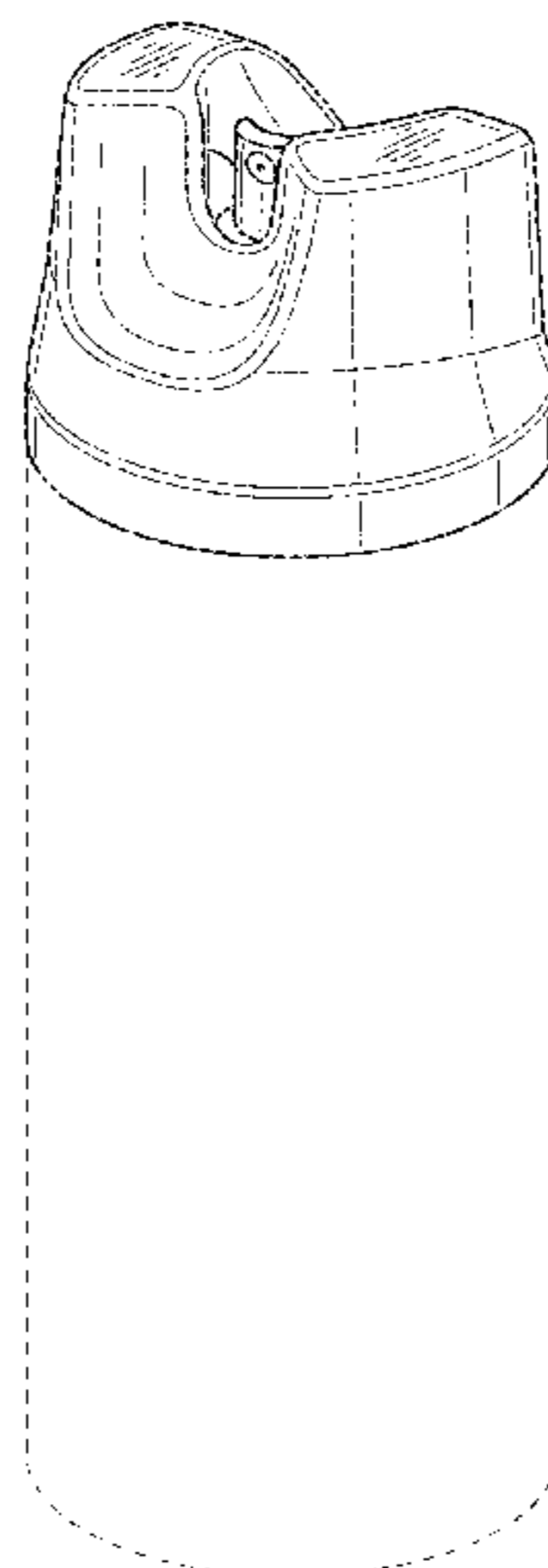
(57) **CLAIM**

The ornamental design for a cap, as shown and described.

DESCRIPTION

FIG. 1 is a perspective view of the cap, showing our new design in an environment of use;
FIG. 2 is a front elevation view thereof;
FIG. 3 is a rear elevation view thereof;
FIG. 4 is a right side elevation view thereof;
FIG. 5 is a left side elevation view thereof;
FIG. 6 is a top plan view thereof;
FIG. 7 is a bottom plan view thereof.
FIG. 8 is a perspective view of the cap;
FIG. 9 is a front elevation view thereof;
FIG. 10 is a rear elevation view thereof;
FIG. 11 is a right side elevation view thereof;
FIG. 12 is a left side elevation view thereof;
FIG. 13 is a top plan view thereof; and,
FIG. 14 is a bottom plan view thereof.
In the drawings, the broken lines show portions of a cap and the broken lines in FIGS. 1-7 show portions of an aerosol container that form no part of the claim.

1 Claim, 6 Drawing Sheets



(56)

References Cited

U.S. PATENT DOCUMENTS

D409,088	S	*	5/1999	de Maillard	D9/448
D414,416	S	*	9/1999	Watkins	D9/448
D416,490	S	*	11/1999	Kunesh	D9/448
D457,061	S	*	5/2002	Walters	D9/448
D538,651	S	*	3/2007	Nukuto	D9/448
D564,876	S	*	3/2008	Nickel	D9/448
D635,021	S	*	3/2011	Geier	D9/448
D690,604	S	*	10/2013	Seng	D9/690

* cited by examiner

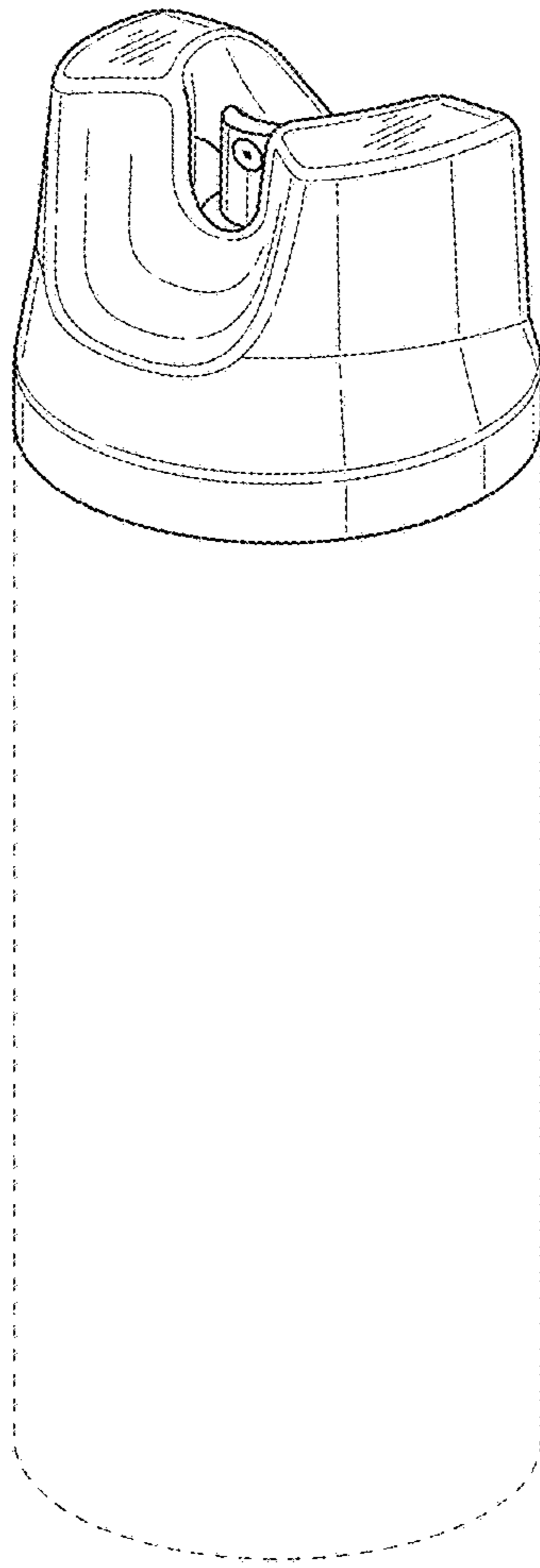


Fig. 1

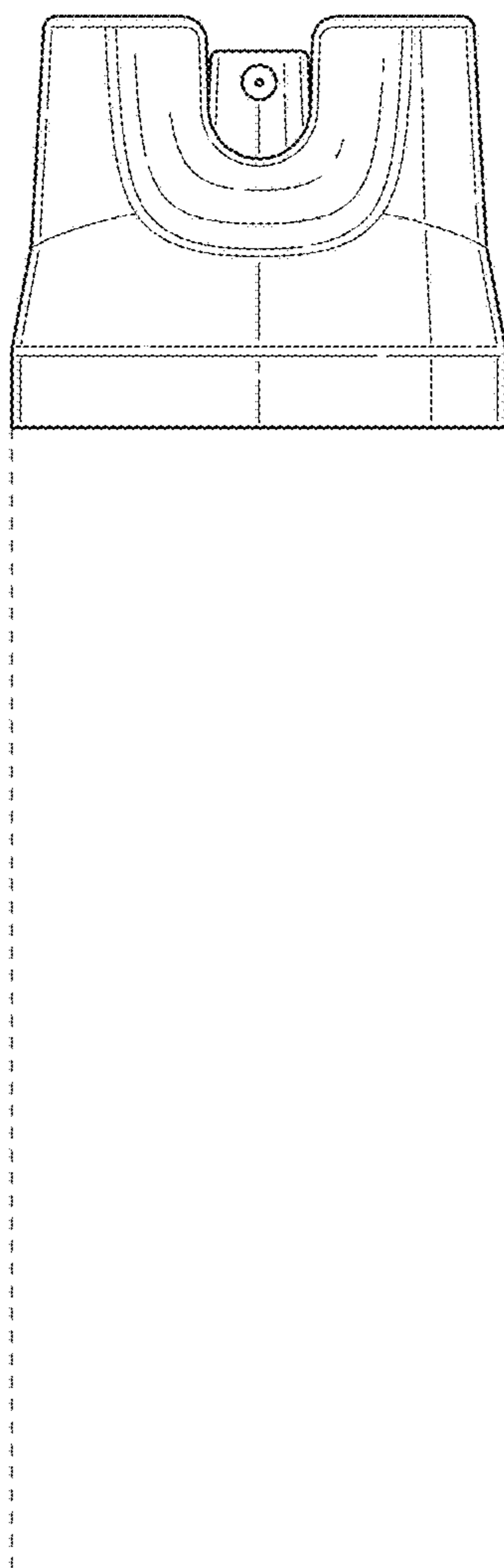


Fig. 2

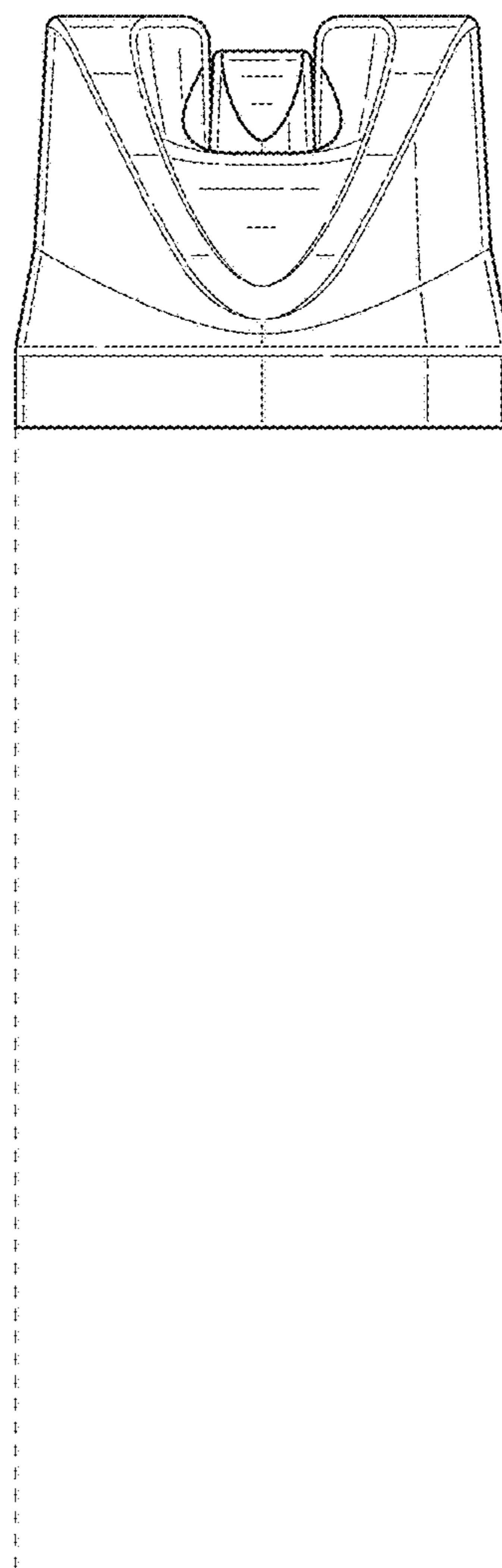


Fig. 3

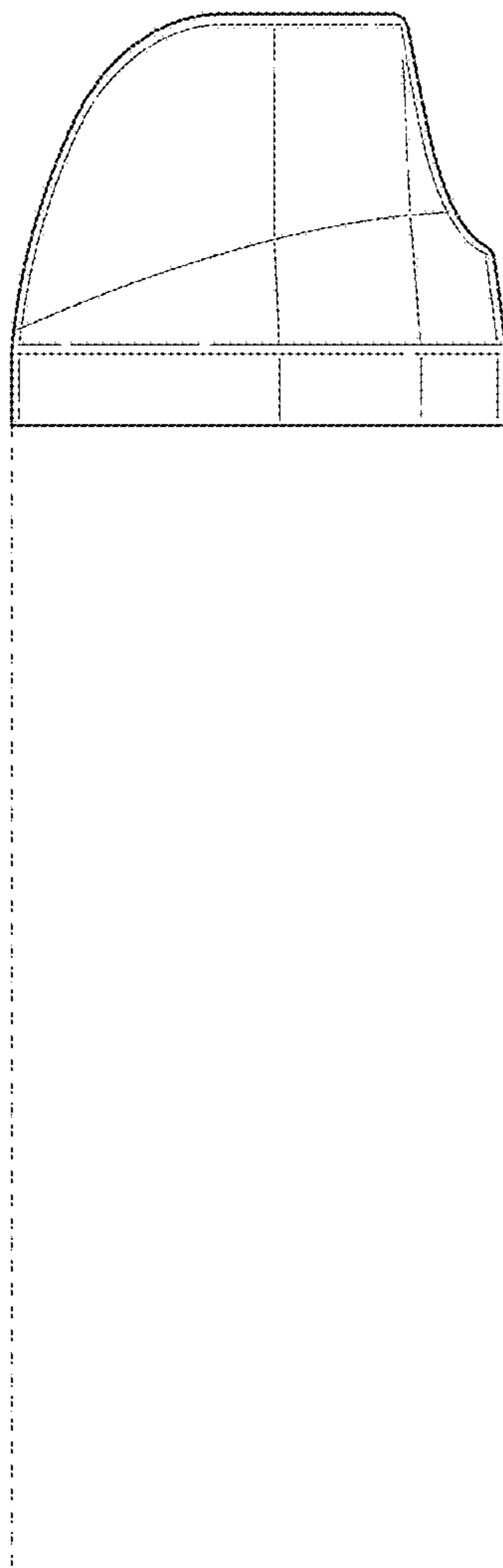


Fig. 4

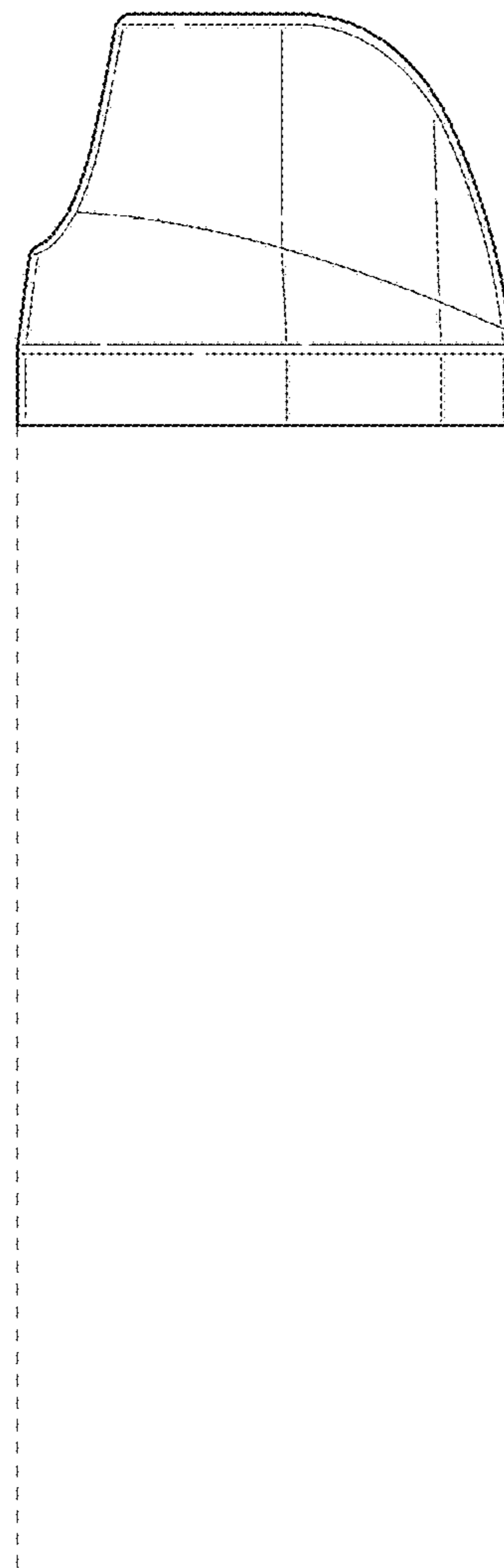


Fig. 5

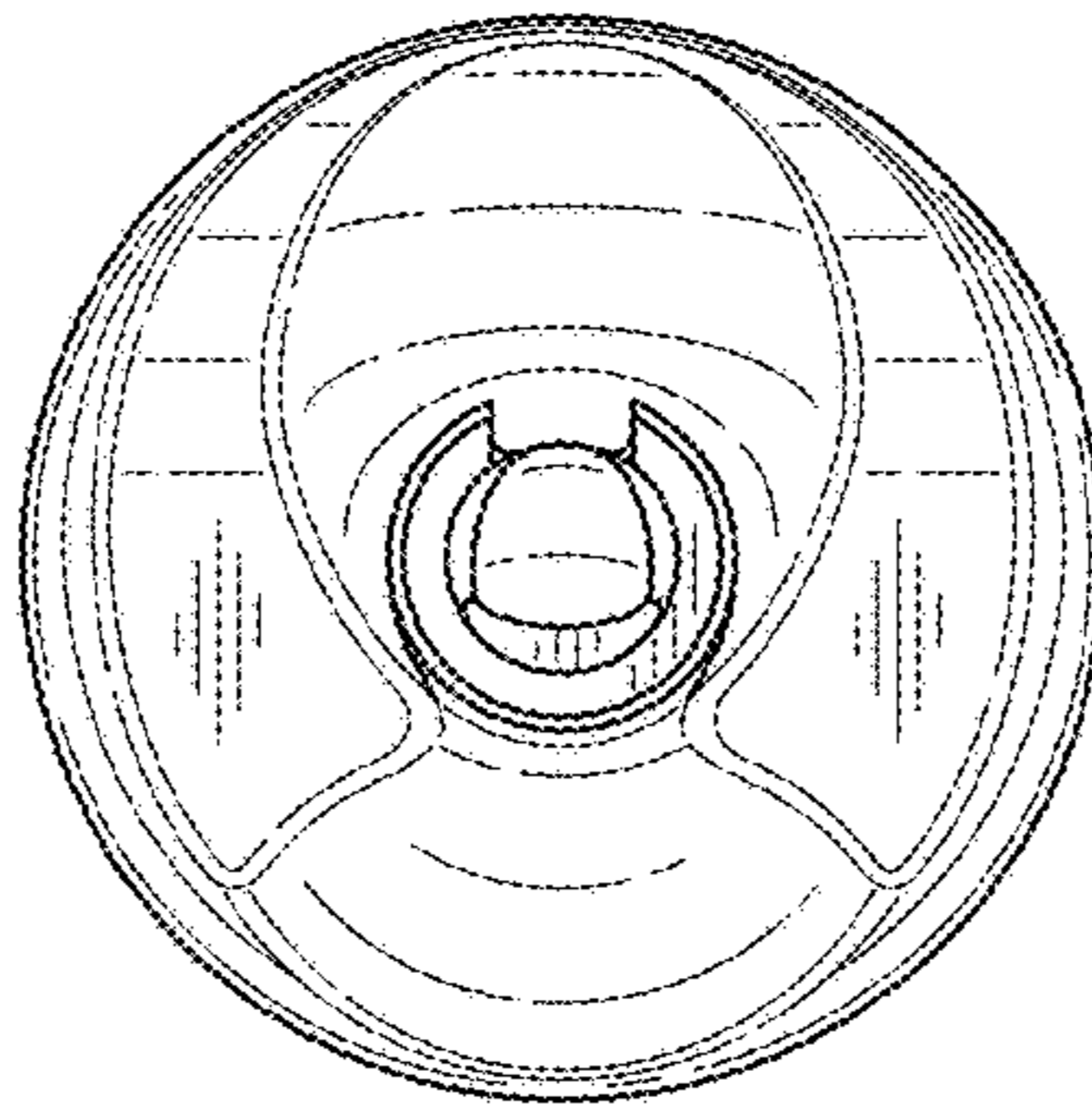


Fig. 6

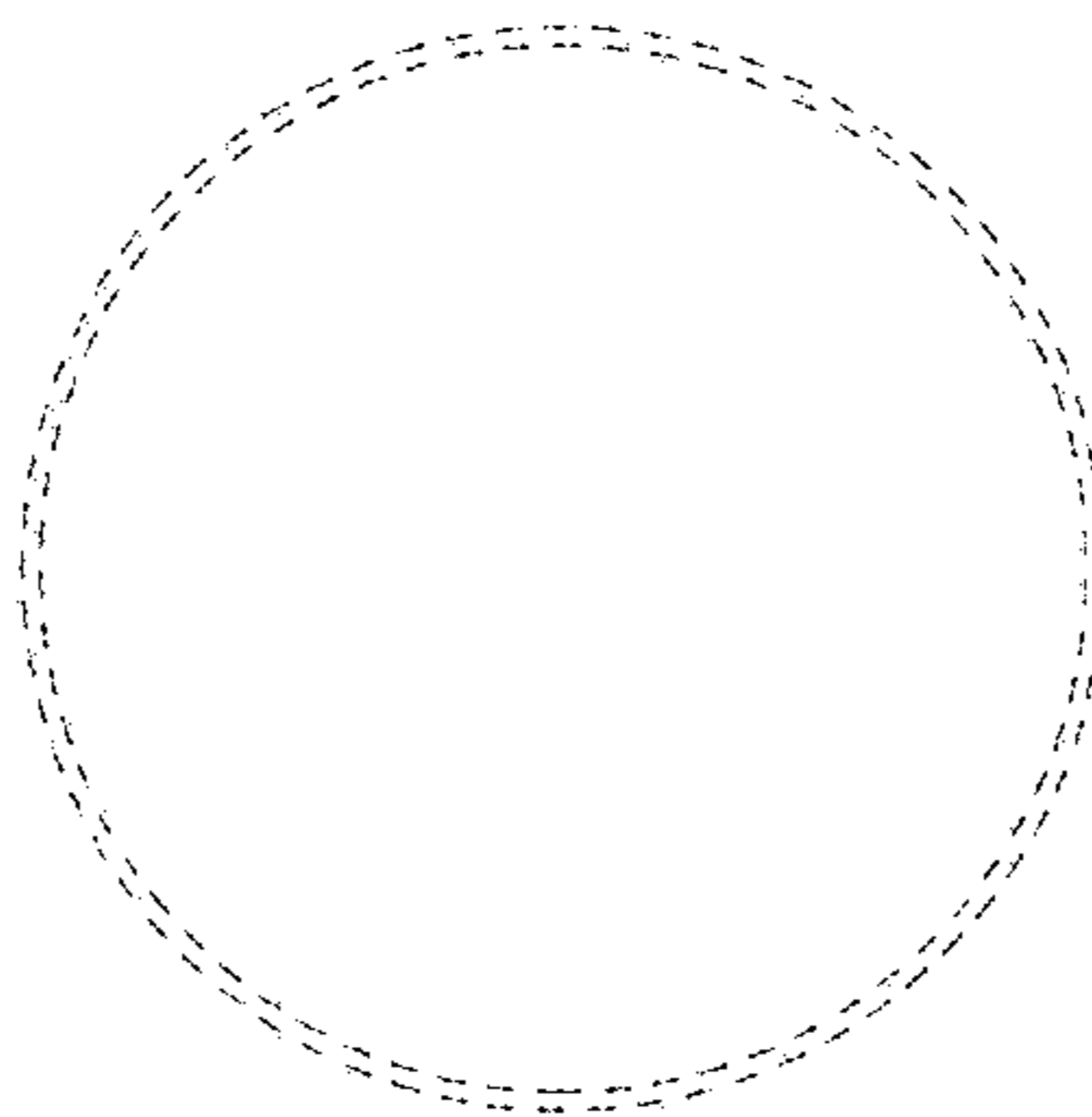


Fig. 7

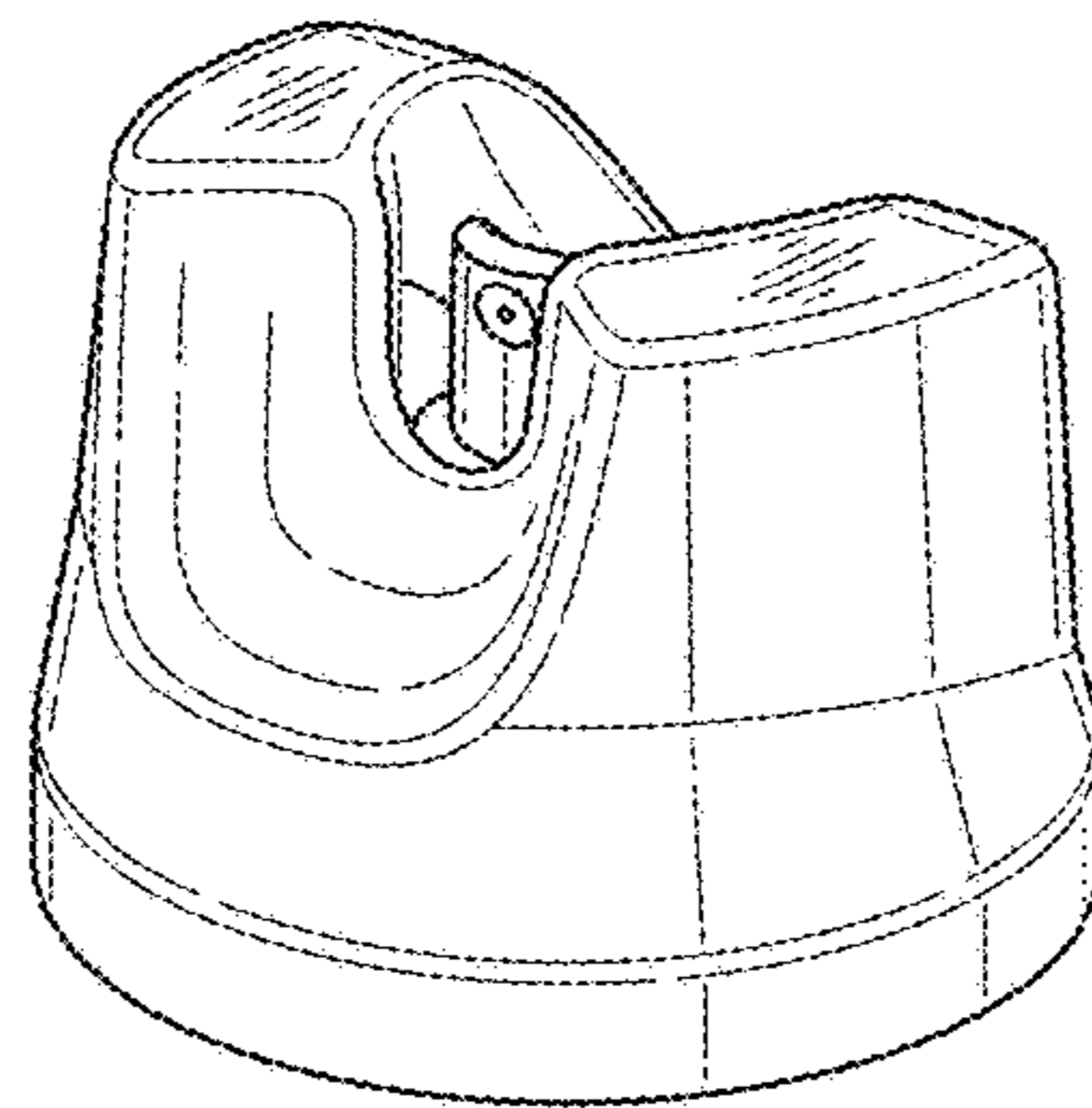


Fig. 8

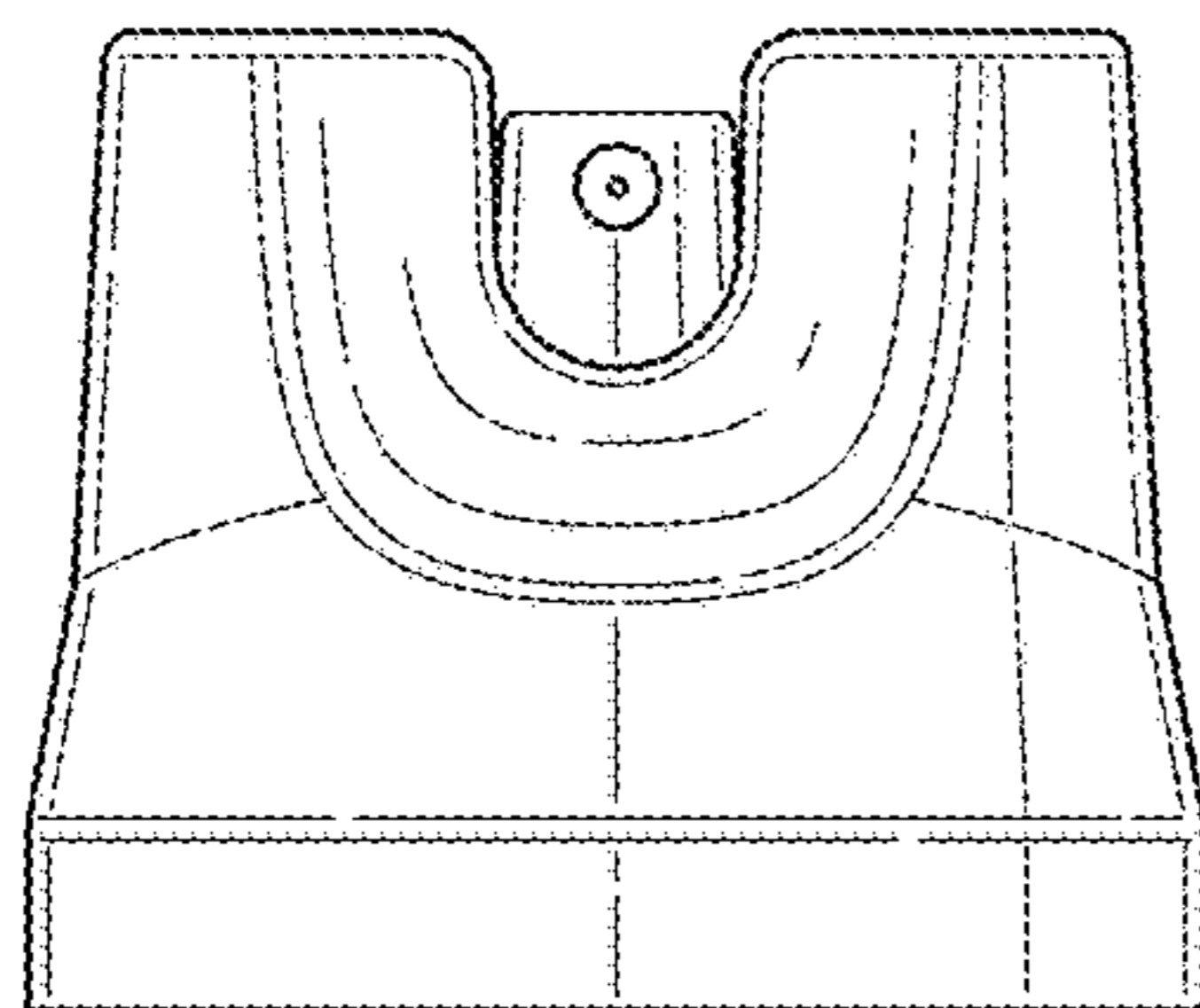


Fig. 9

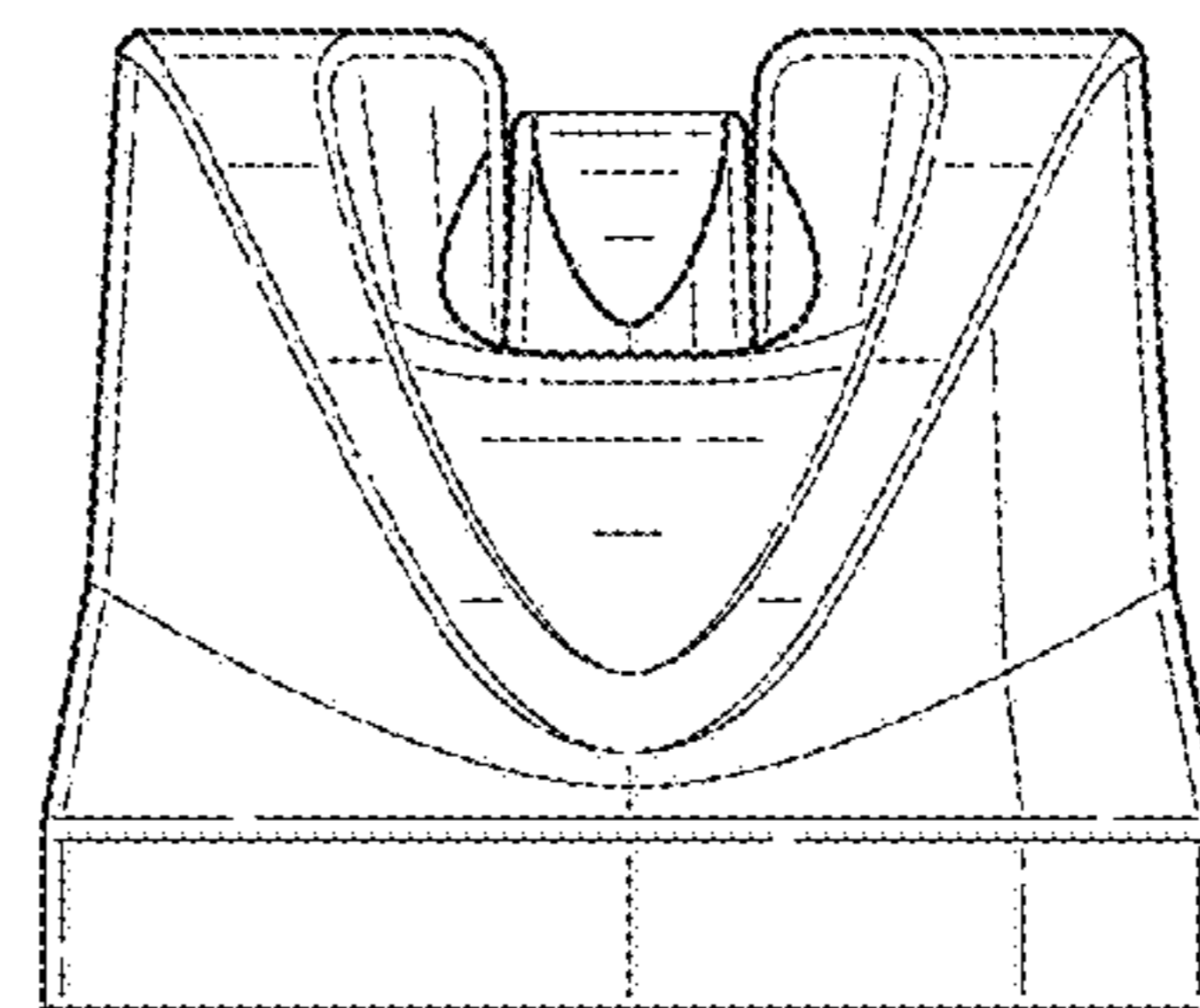


Fig. 10

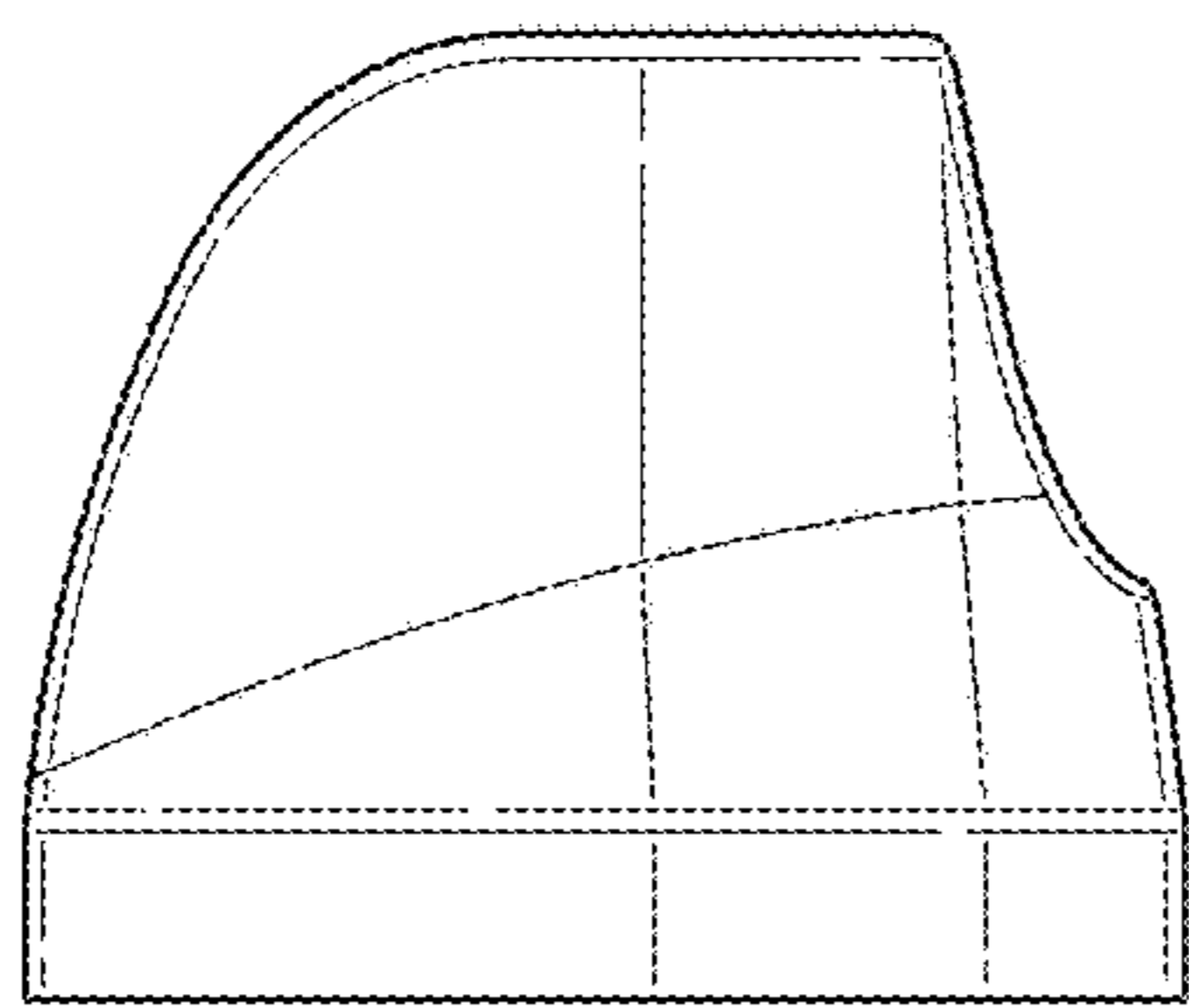


Fig. 11

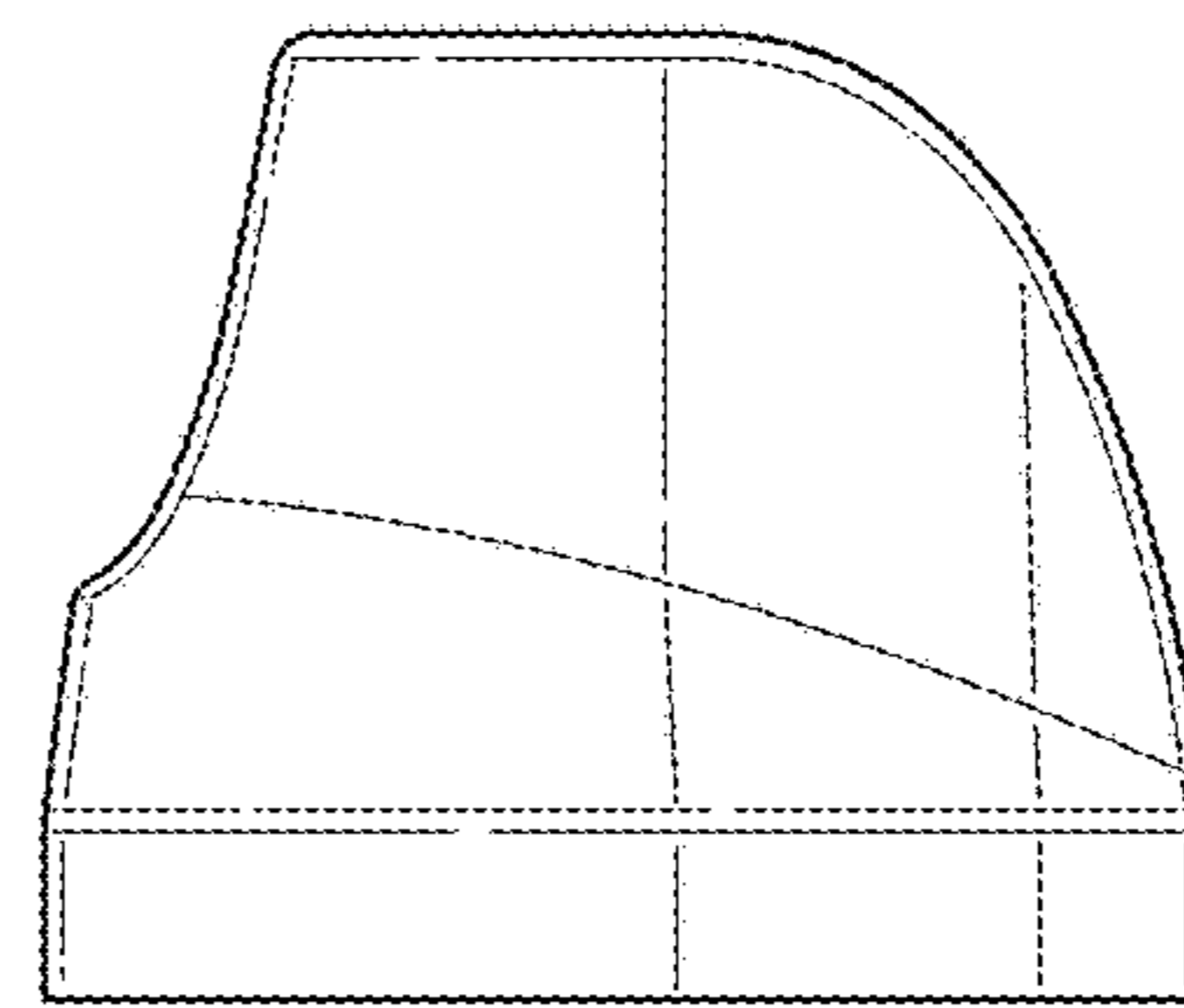


Fig. 12

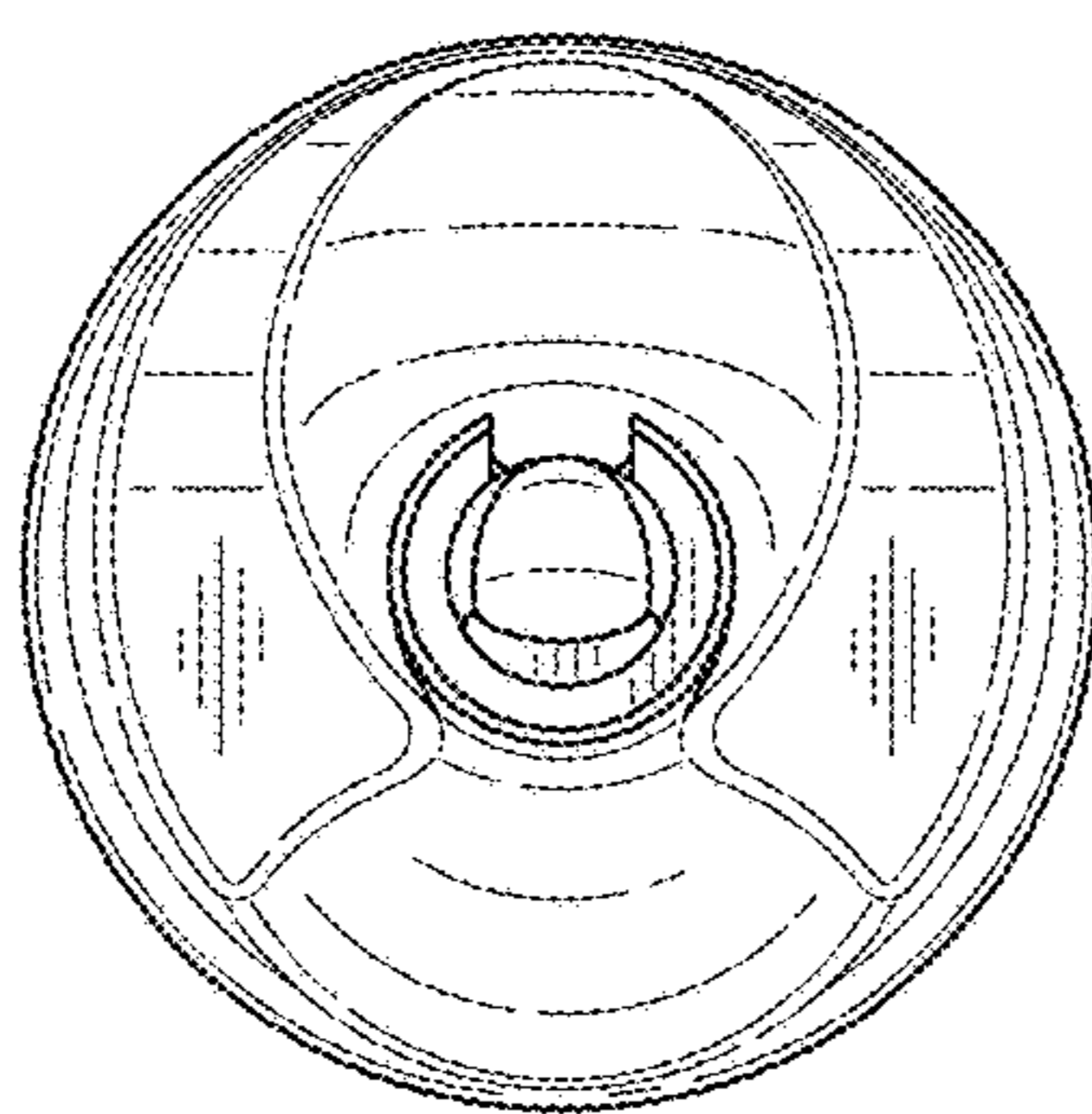


Fig. 13

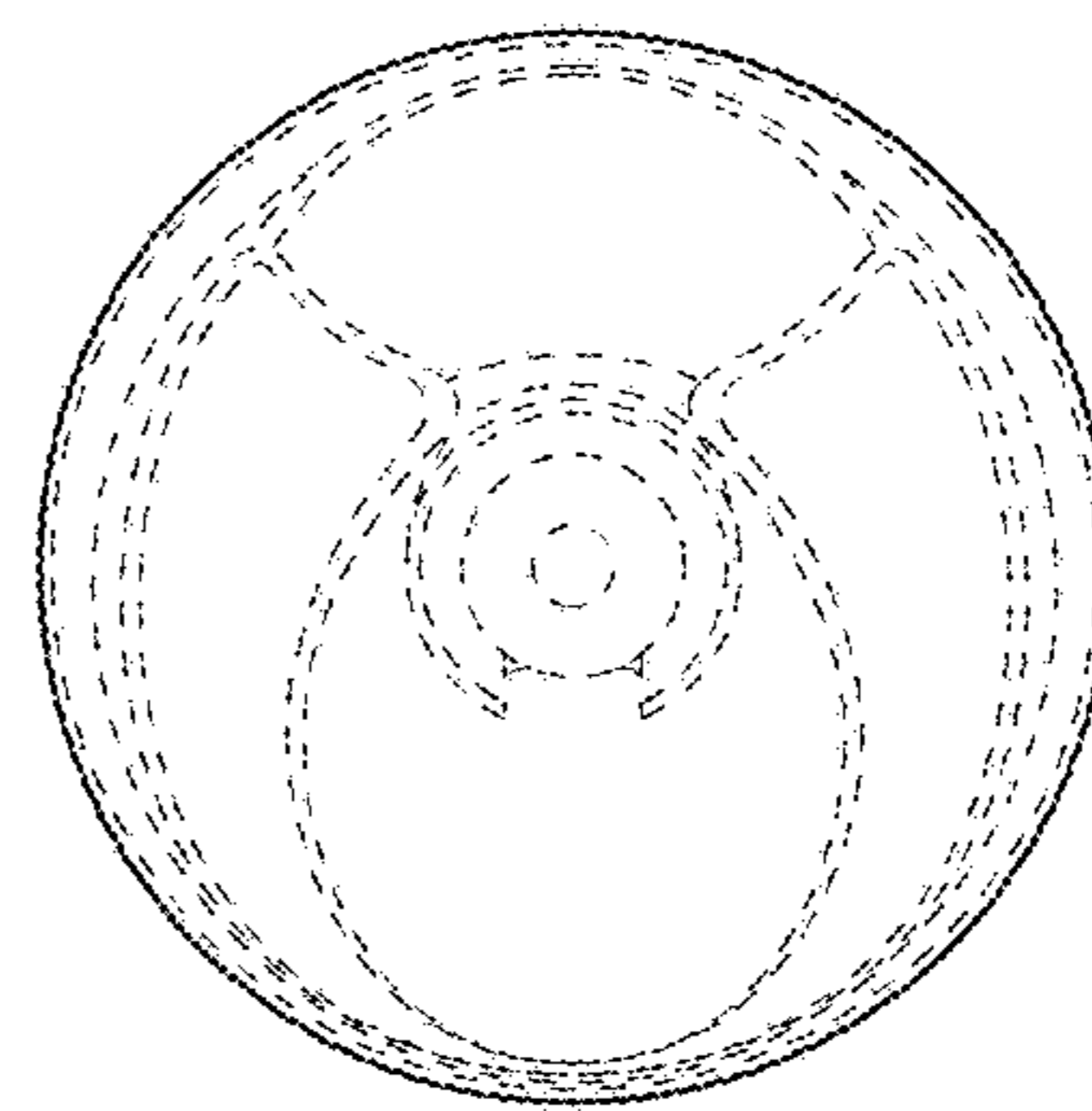


Fig. 14