

US00D846983S

(12) **United States Design Patent**  
**Horn**

(10) **Patent No.:** **US D846,983 S**

(45) **Date of Patent:** **\*\* Apr. 30, 2019**

(54) **COMBINED CAP WITH A WRITE-ON SURFACE AND WRITING IMPLEMENT HOLDER**

(71) Applicant: **Kimberlee Ann Horn**, Crawfordsville, IN (US)

(72) Inventor: **Kimberlee Ann Horn**, Crawfordsville, IN (US)

(\*\*) Term: **15 Years**

(21) Appl. No.: **29/609,102**

(22) Filed: **Jun. 28, 2017**

**Related U.S. Application Data**

(63) Continuation of application No. 29/511,271, filed on Dec. 9, 2014, now Pat. No. Des. 790,965.

(51) **LOC (11) Cl.** ..... **09-07**

(52) **U.S. Cl.**  
USPC ..... **D9/436; D9/449**

(58) **Field of Classification Search**  
USPC ..... D7/300, 300.1, 303, 316, 323, 387, 392, D7/392.1, 396.2, 397, 398, 509-511, 566, D7/305, 533, 535, 536; D9/428, 430, D9/431, 434-436, 438-440, 443-447, D9/448-450, 452-454, 499, 549, 574, D9/715, 717-719, 738, 740, 742, 746,  
(Continued)

(56) **References Cited**

**U.S. PATENT DOCUMENTS**

3,107,029 A \* 10/1963 Rylander ..... A47G 23/0266  
215/396  
D395,239 S \* 6/1998 Davis ..... D9/521  
(Continued)

*Primary Examiner* — George D. Kirschbaum

*Assistant Examiner* — Darcey E Heflin

(74) *Attorney, Agent, or Firm* — AP Patents

(57) **CLAIM**

The ornamental design for combined cap with a write-on surface and a writing implement holder, as shown and described.

**DESCRIPTION**

FIG. 1 is perspective view of an embodiment of a combined cap with a write-on surface and writing implement holder showing my new design in a closed position.

FIG. 2 is another perspective view of the cap in FIG. 1 in an open position.

FIG. 3 is a front view of the cap in FIG. 1.

FIG. 4 is a left view of the cap in FIG. 1.

FIG. 5 is a bottom view of the cap in FIG. 1.

FIG. 6 is a rear view of the cap in FIG. 1.

FIG. 7 is a right view of the cap in FIG. 1.

FIG. 8 is a top view of the cap in FIG. 1.

FIG. 9 is one perspective environmental view of the cap in FIG. 2 in an environment of use.

FIG. 10 is one perspective view of another embodiment of the combined cap with a write-on surface and writing implement holder in FIG. 1.

FIG. 11 is another perspective view of the cap in FIG. 10 in an open position.

FIG. 12 is a front view of the cap in FIG. 10.

FIG. 13 is a left view of the cap in FIG. 10.

FIG. 14 is a bottom view of the cap in FIG. 10.

FIG. 15 is a rear view of the cap in FIG. 10.

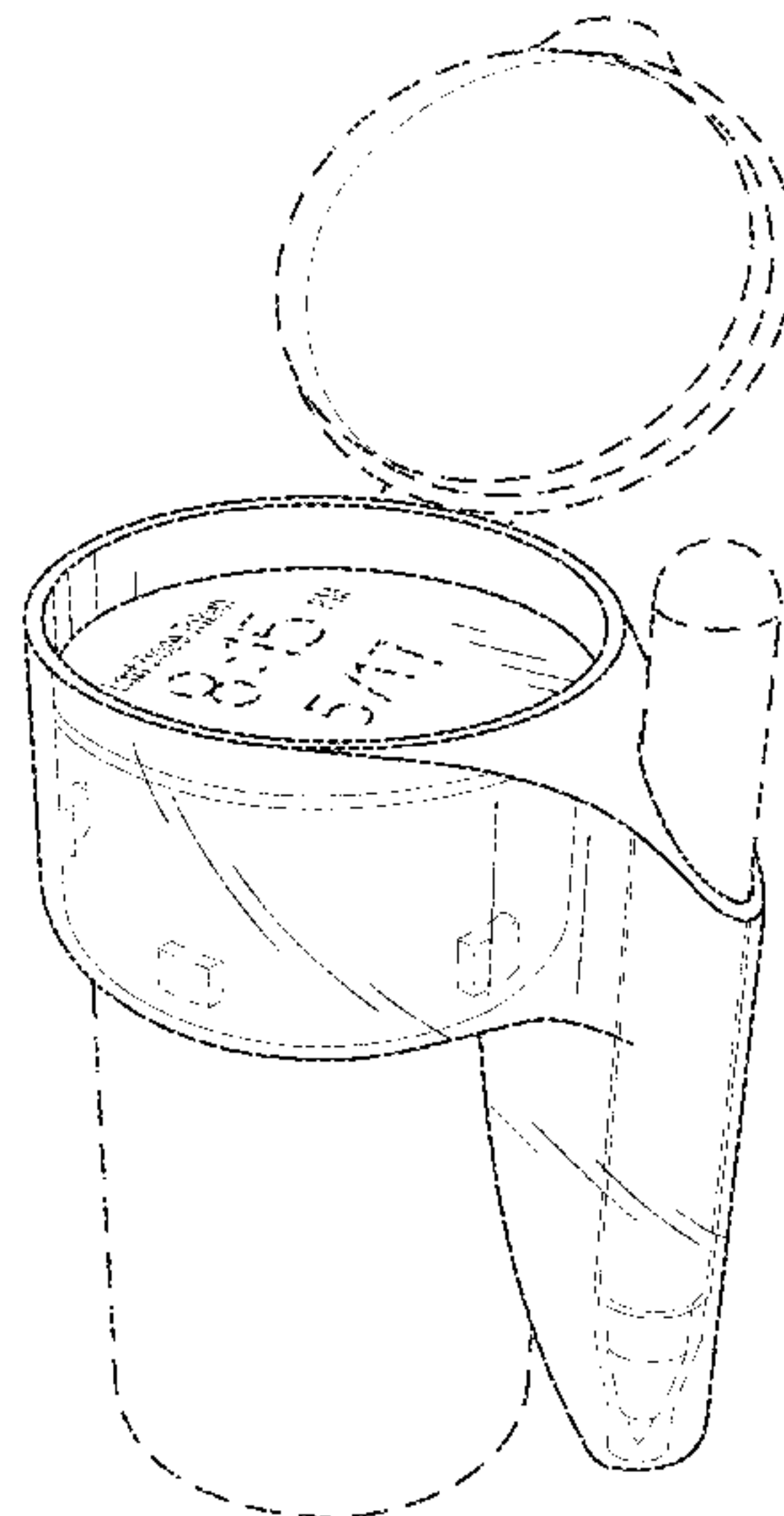
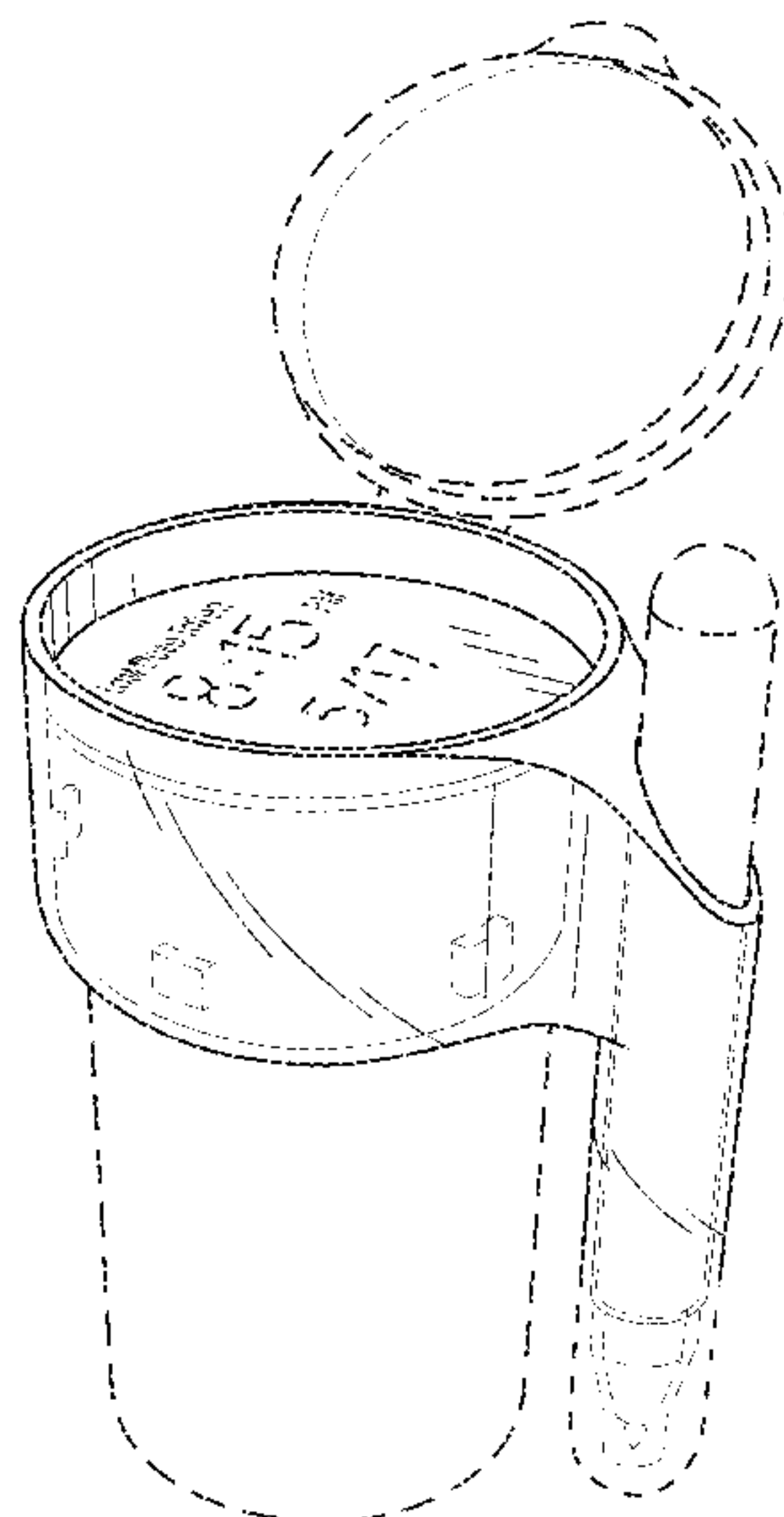
FIG. 16 is a right view of the cap in FIG. 10.

FIG. 17 is a top view of the cap in FIG. 10; and,

FIG. 18 is one perspective environmental view of the cap in FIG. 11 in an environment of use.

In the drawings, the broken lines showing portions of a cap, container and writing implement are for environmental purposes only and form no part of the claimed design.

**1 Claim, 18 Drawing Sheets**



(58) **Field of Classification Search**

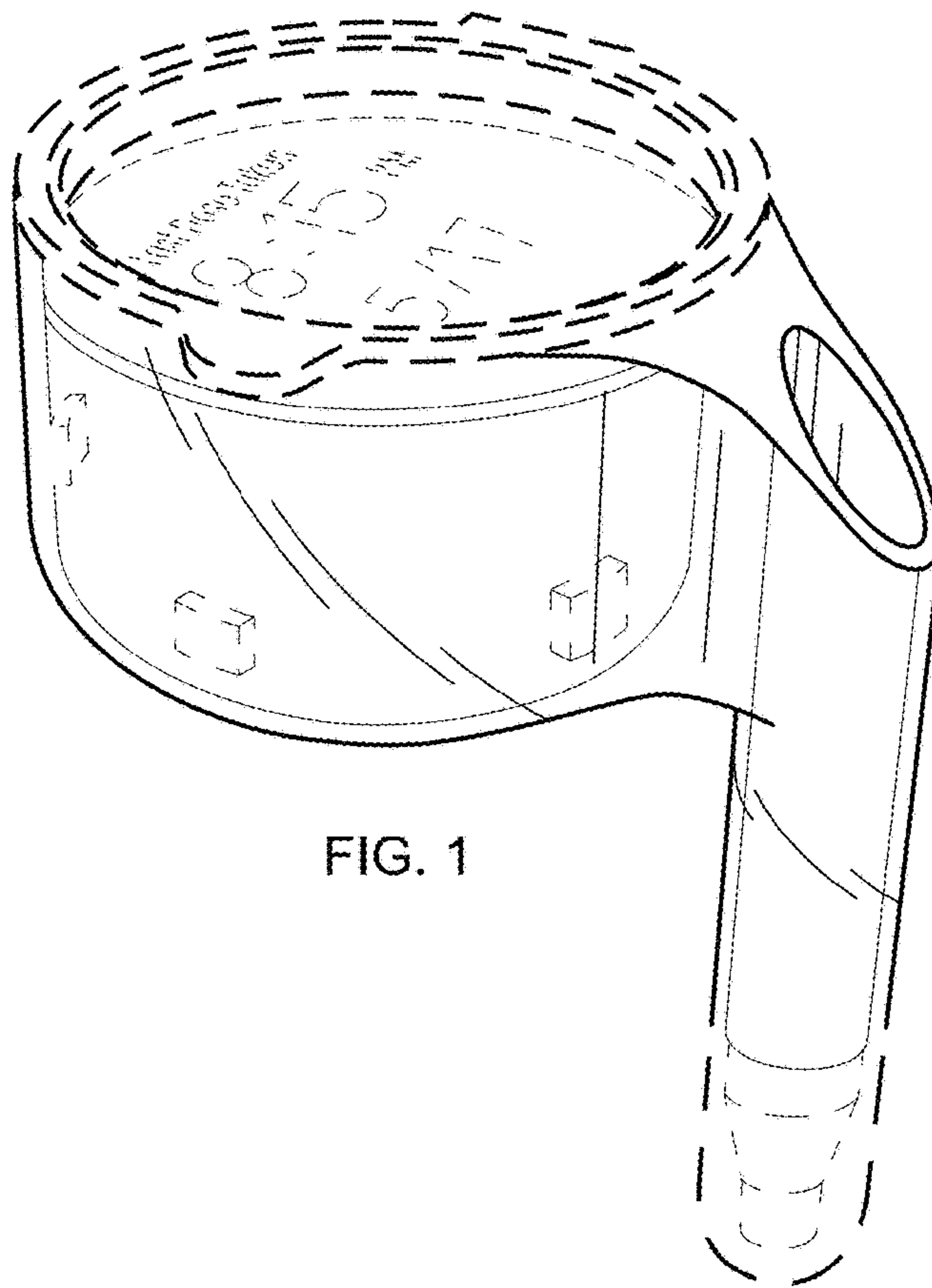
USPC ..... D9/763, 778-780; D23/260, 269, 390;  
D3/210, 202, 203.1, 203.2, 318;  
D24/224; D28/76, 82, 88  
CPC ..... B65D 23/12; B65D 25/20; B65D 51/18  
See application file for complete search history.

(56) **References Cited**

U.S. PATENT DOCUMENTS

D508,200	S	8/2005	Cagle	
D518,379	S	4/2006	Decotignies et al.	
D554,992	S *	11/2007	Mangin .....	D9/434
D588,912	S	3/2009	Christensen et al.	
D589,793	S	4/2009	Christensen et al.	
D598,746	S	8/2009	Caldwell	
D598,747	S	8/2009	Caldwell	
D612,237	S	3/2010	Richey	
D630,405	S	1/2011	Healy	
D746,679	S	1/2016	Jasso	
D747,157	S	1/2016	Pasho	
D790,965	S *	7/2017	Horn .....	D9/436
D802,416	S *	11/2017	Horn .....	D9/436
D812,432	S *	3/2018	Seiders .....	D7/533
D813,033	S *	3/2018	Horn .....	D9/436
D813,670	S *	3/2018	Carpenter .....	D9/448
2014/0209489	A1	7/2014	Horn	
2015/0047998	A1	2/2015	Horn	
2015/0108016	A1	4/2015	Horn	
2015/0108027	A1	4/2015	Horn	
2015/0325152	A1	11/2015	Horn	

\* cited by examiner



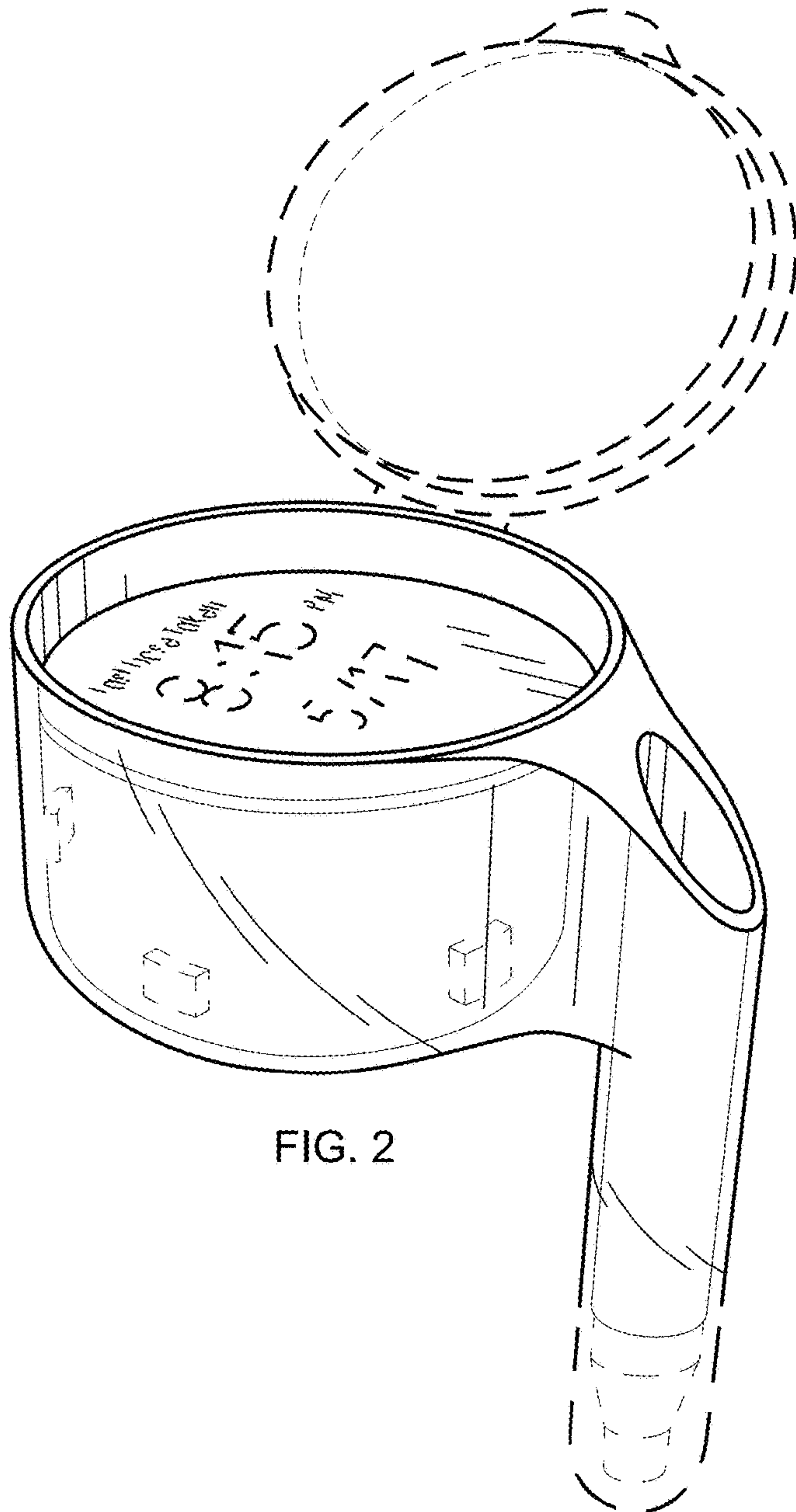
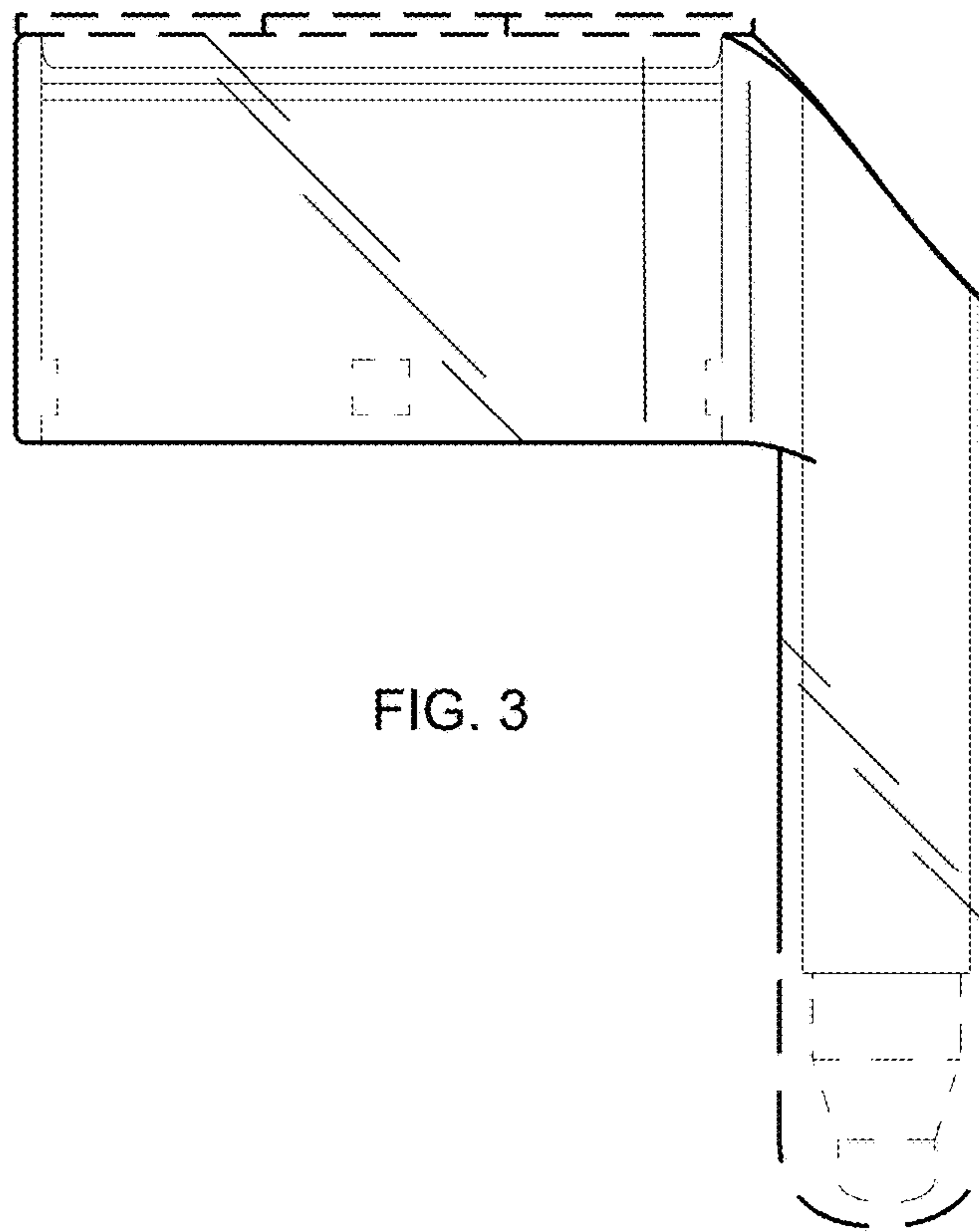


FIG. 2



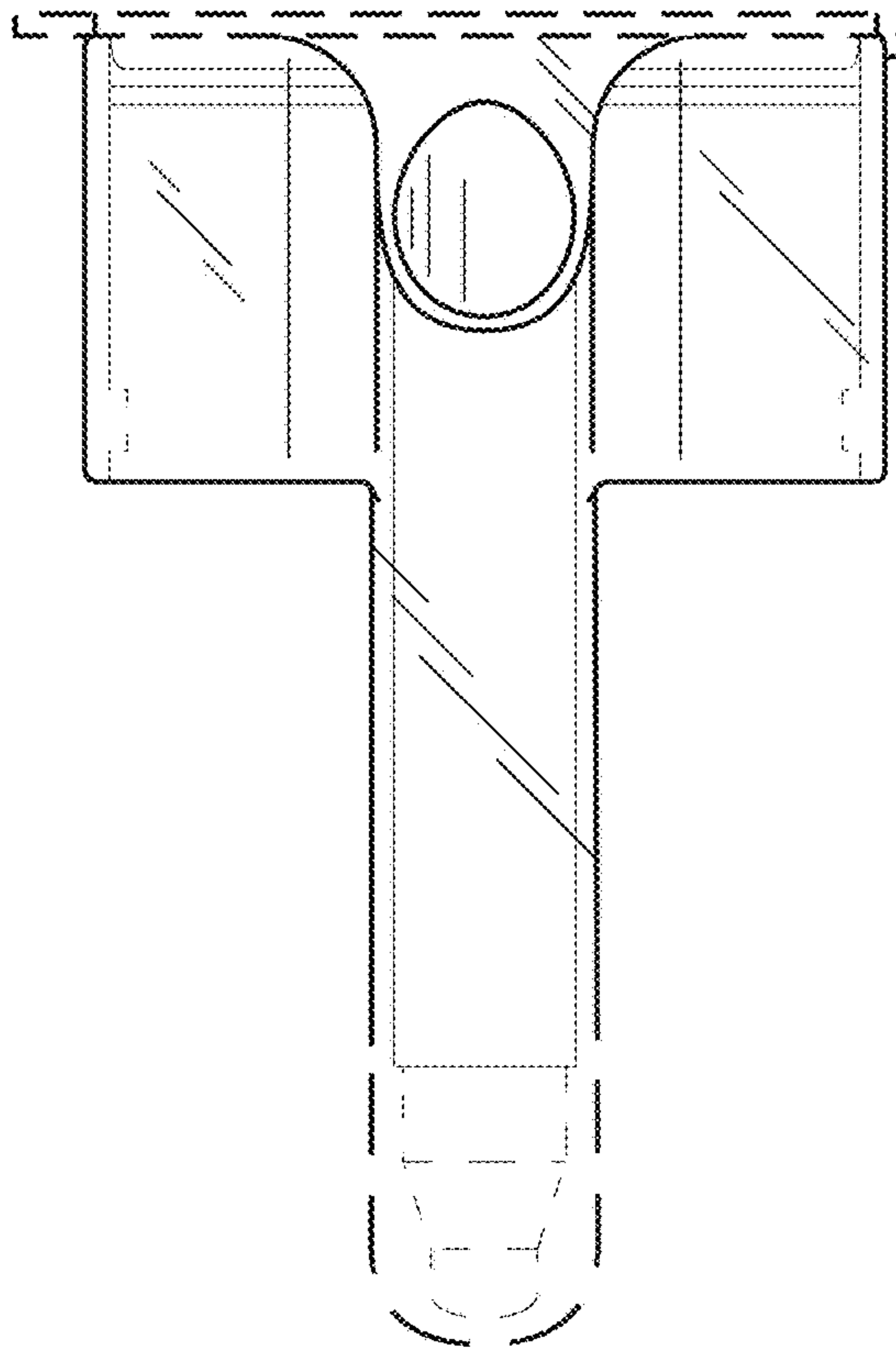


FIG. 4



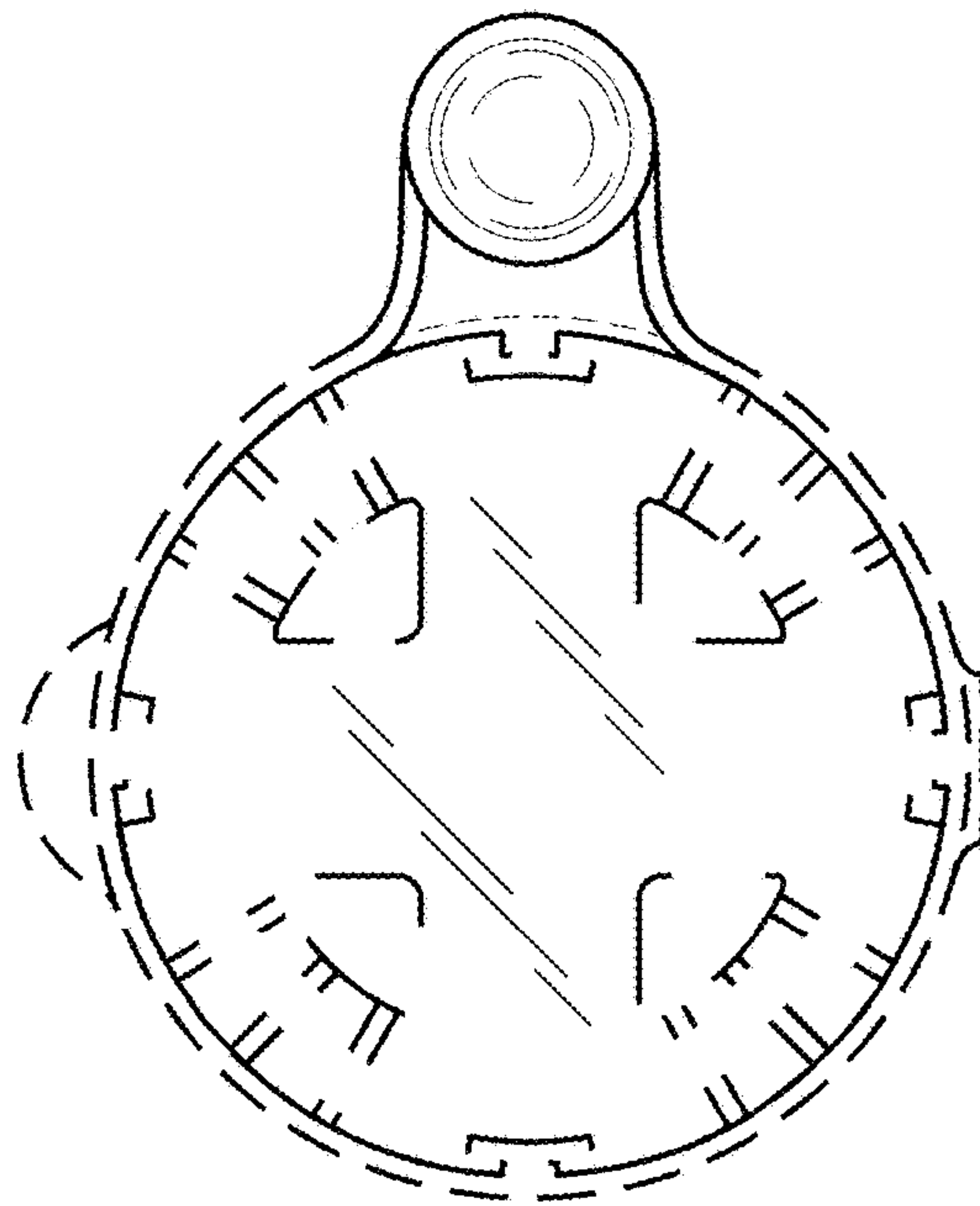


FIG. 5

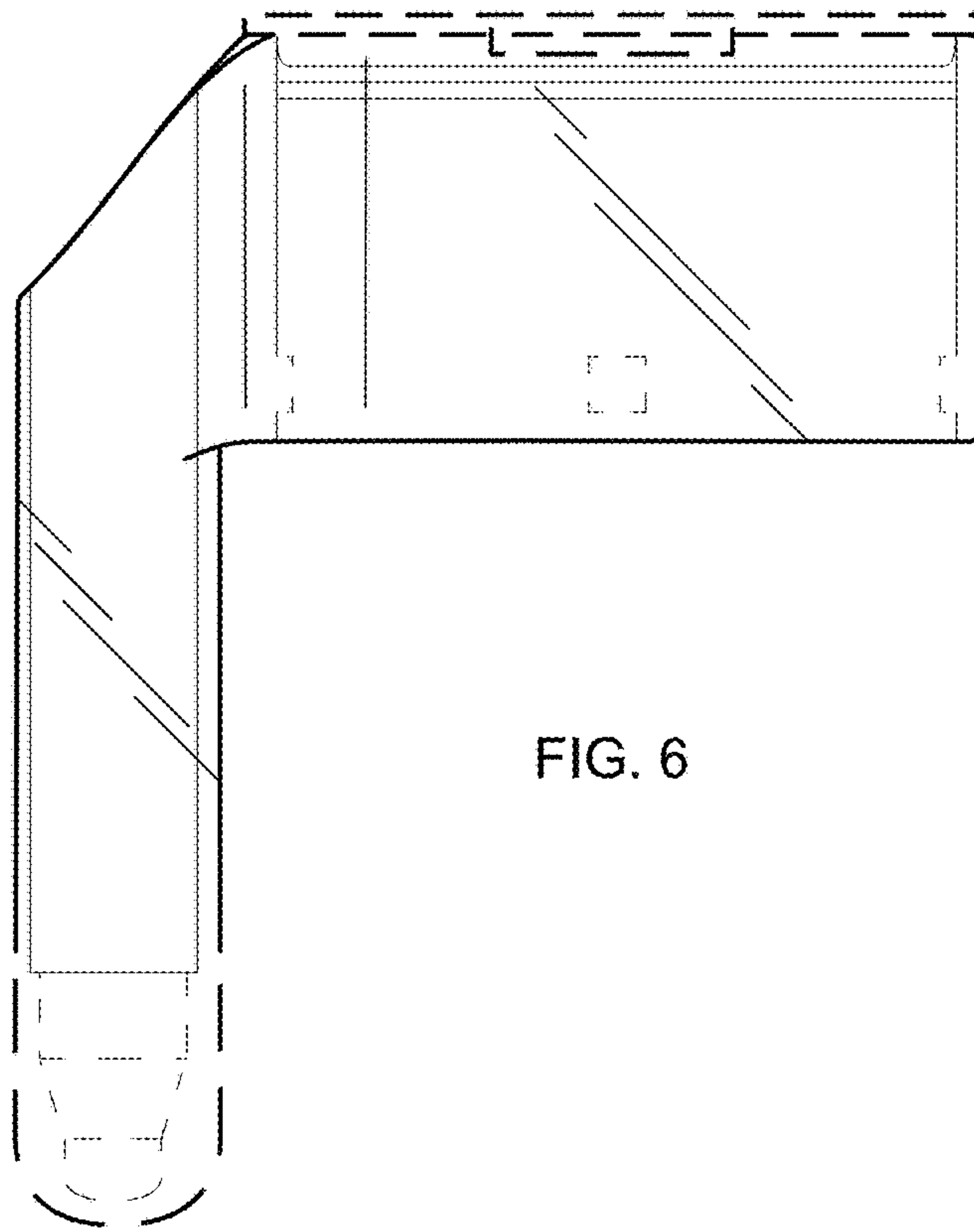


FIG. 6



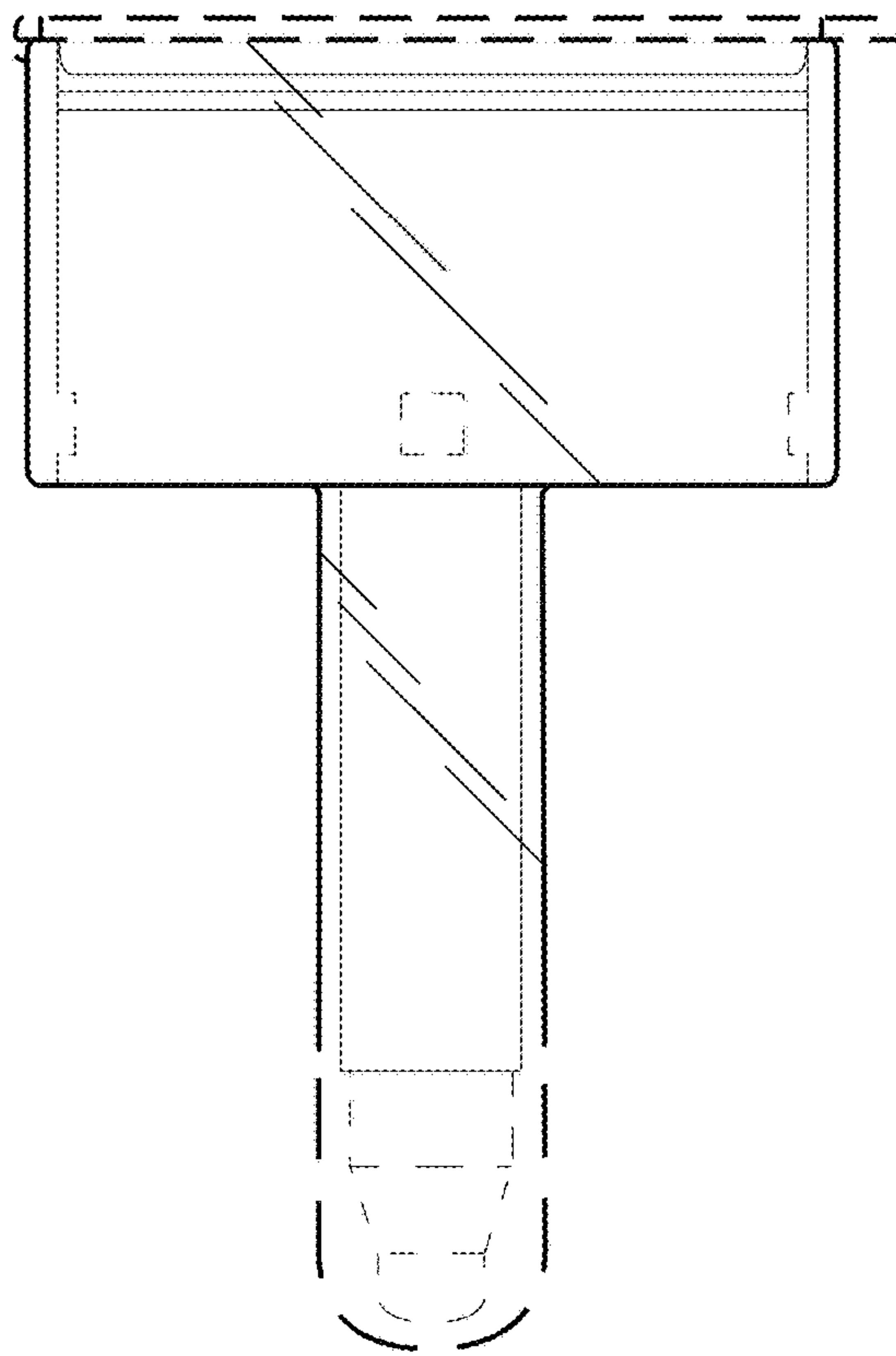


FIG. 7

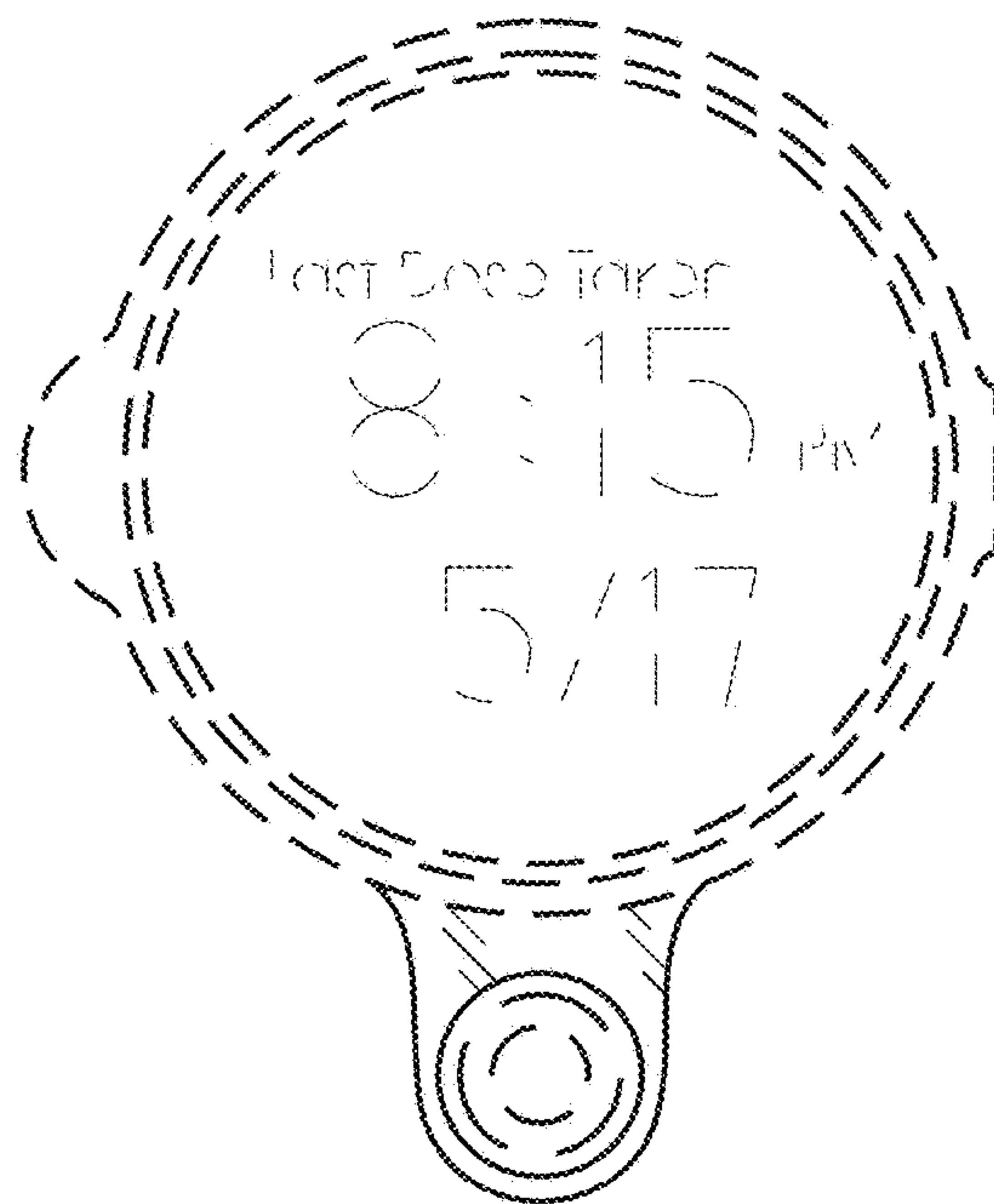


FIG. 8

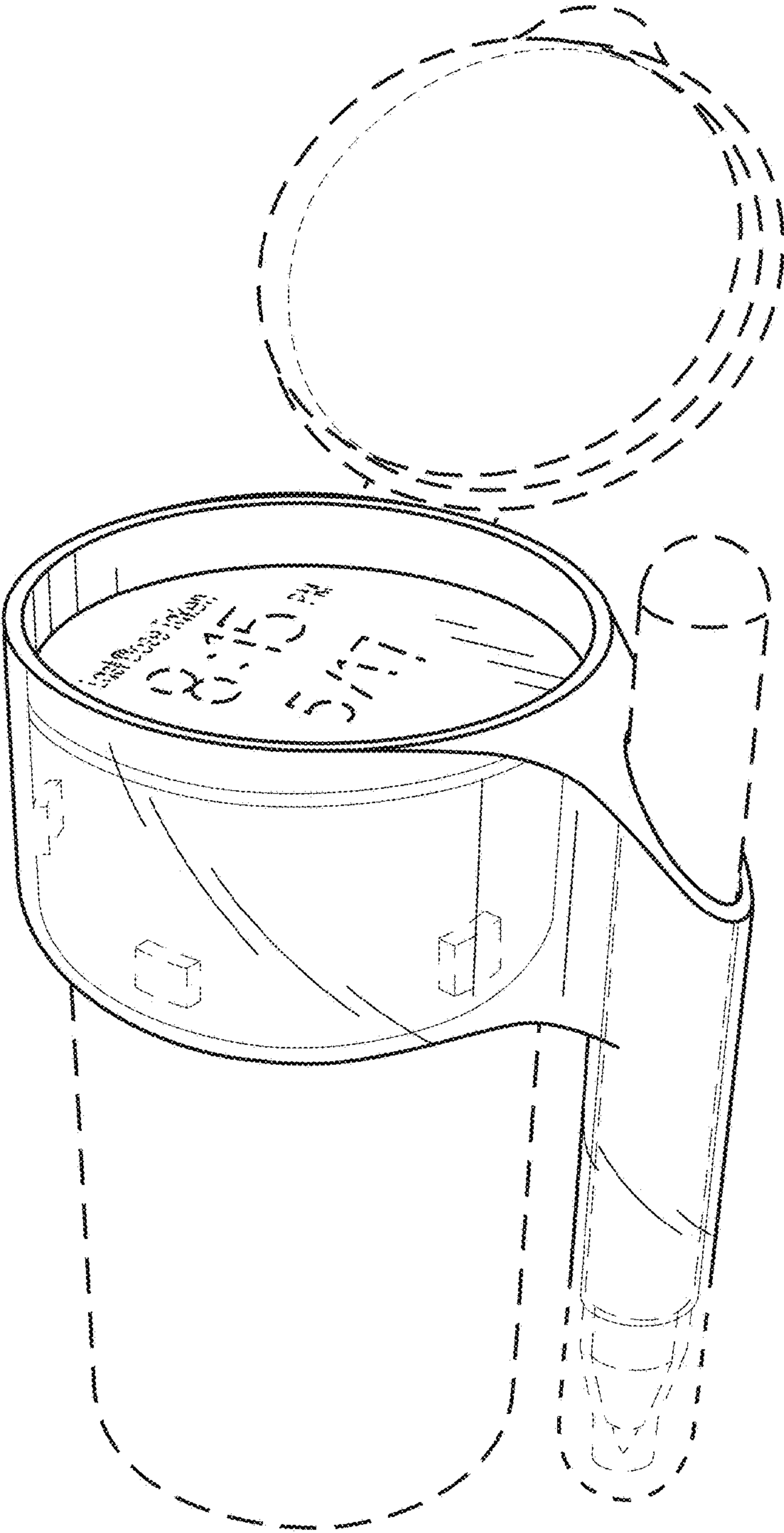


FIG. 9

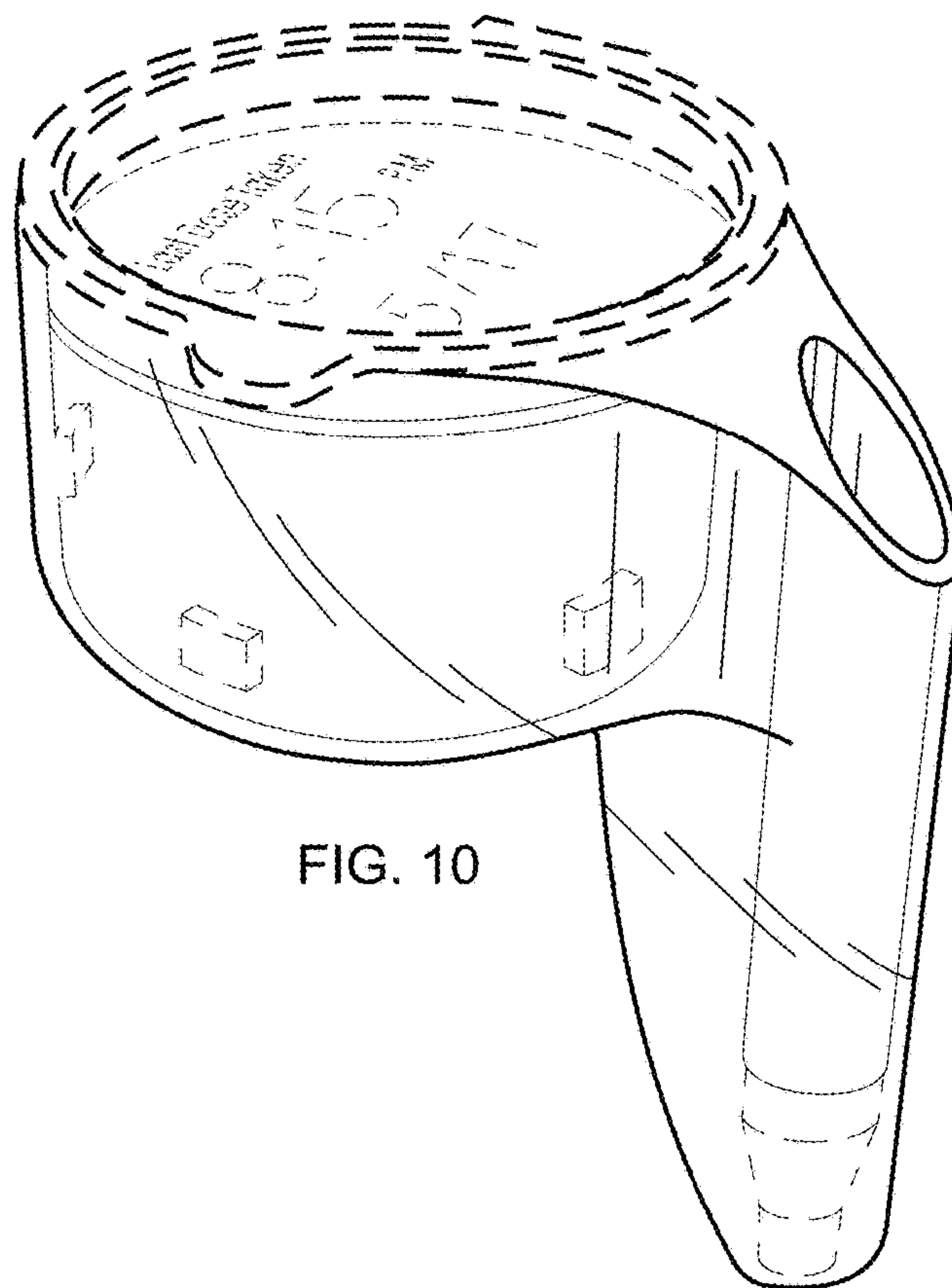


FIG. 10

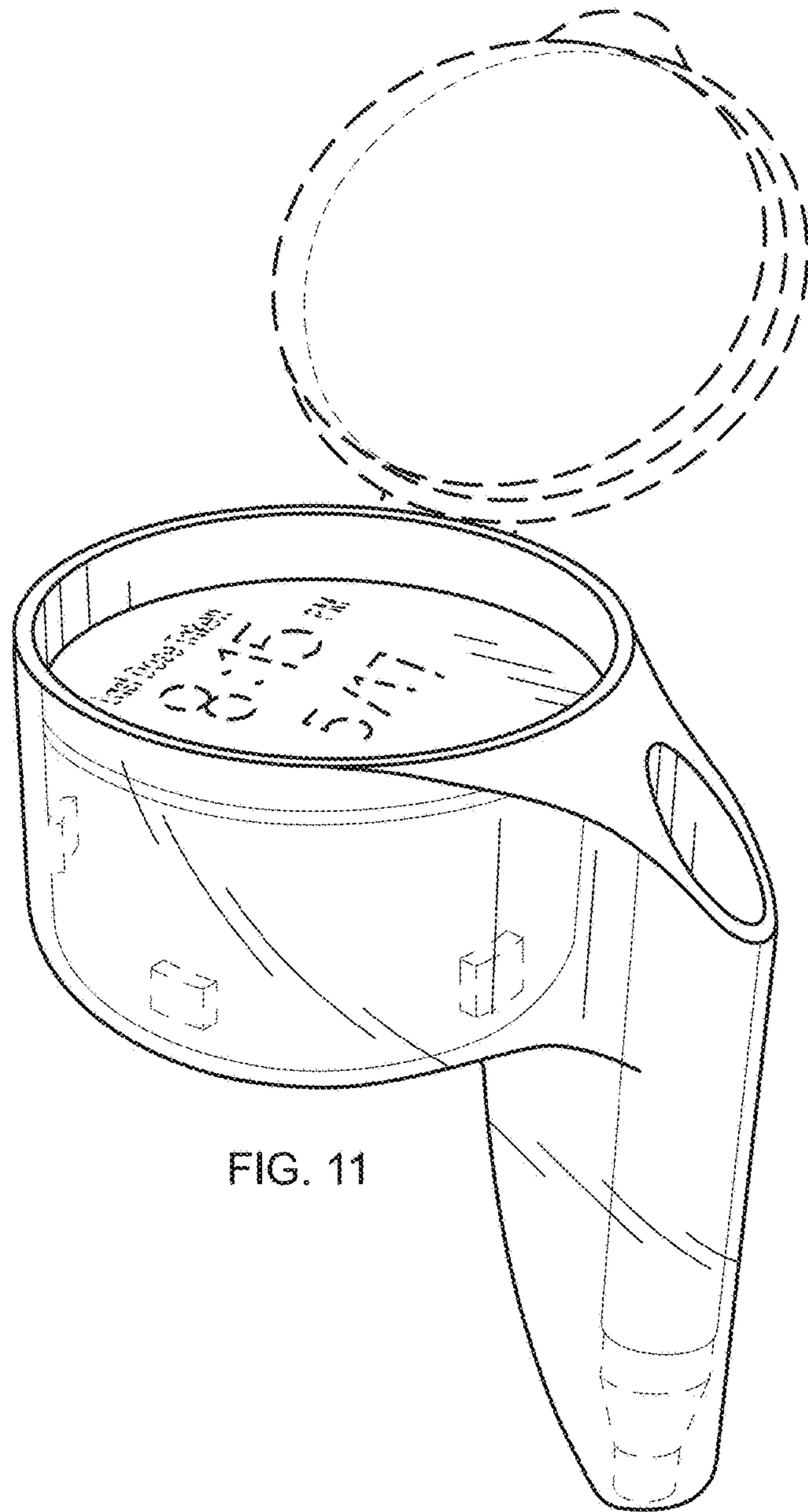


FIG. 11

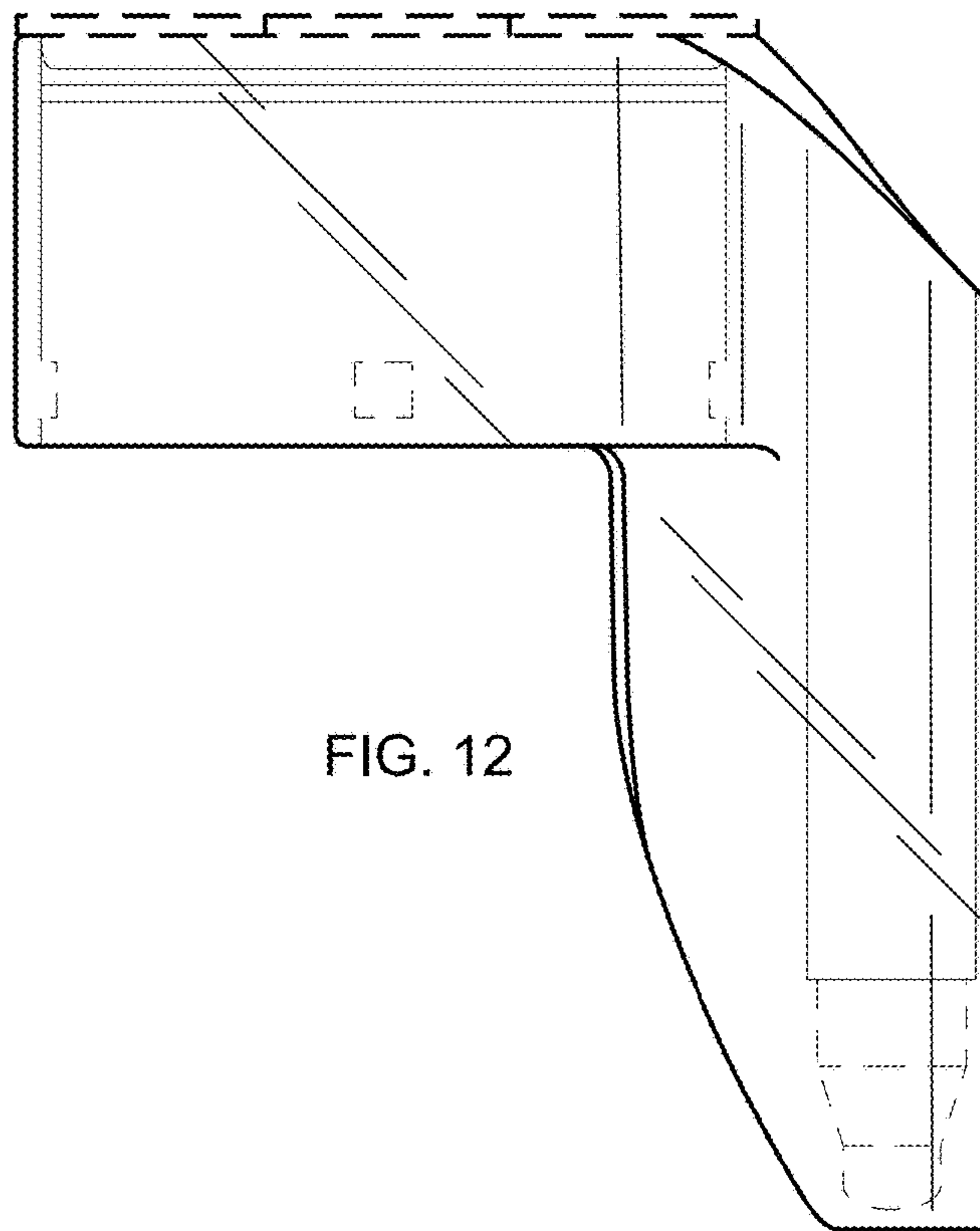


FIG. 12

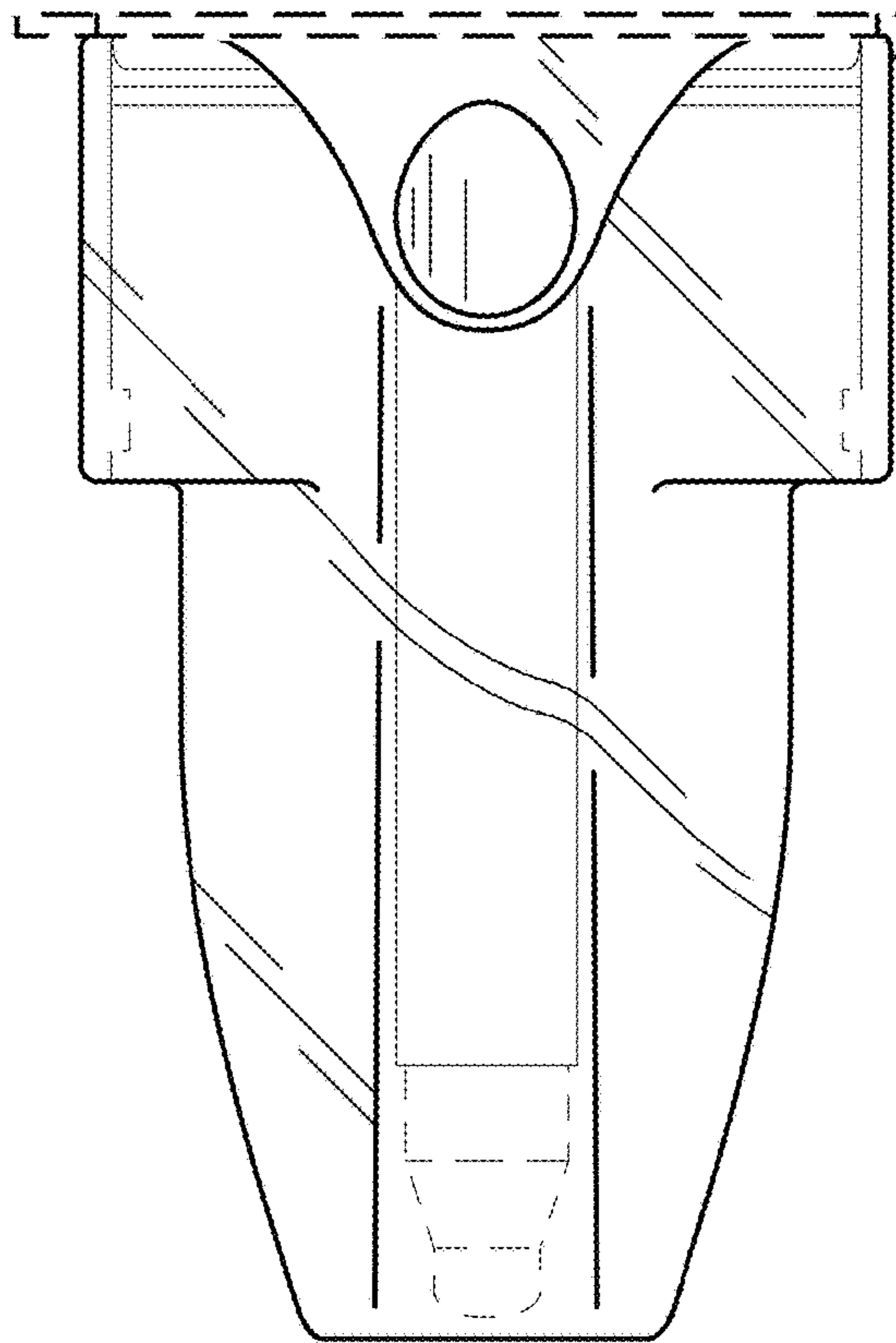


FIG. 13



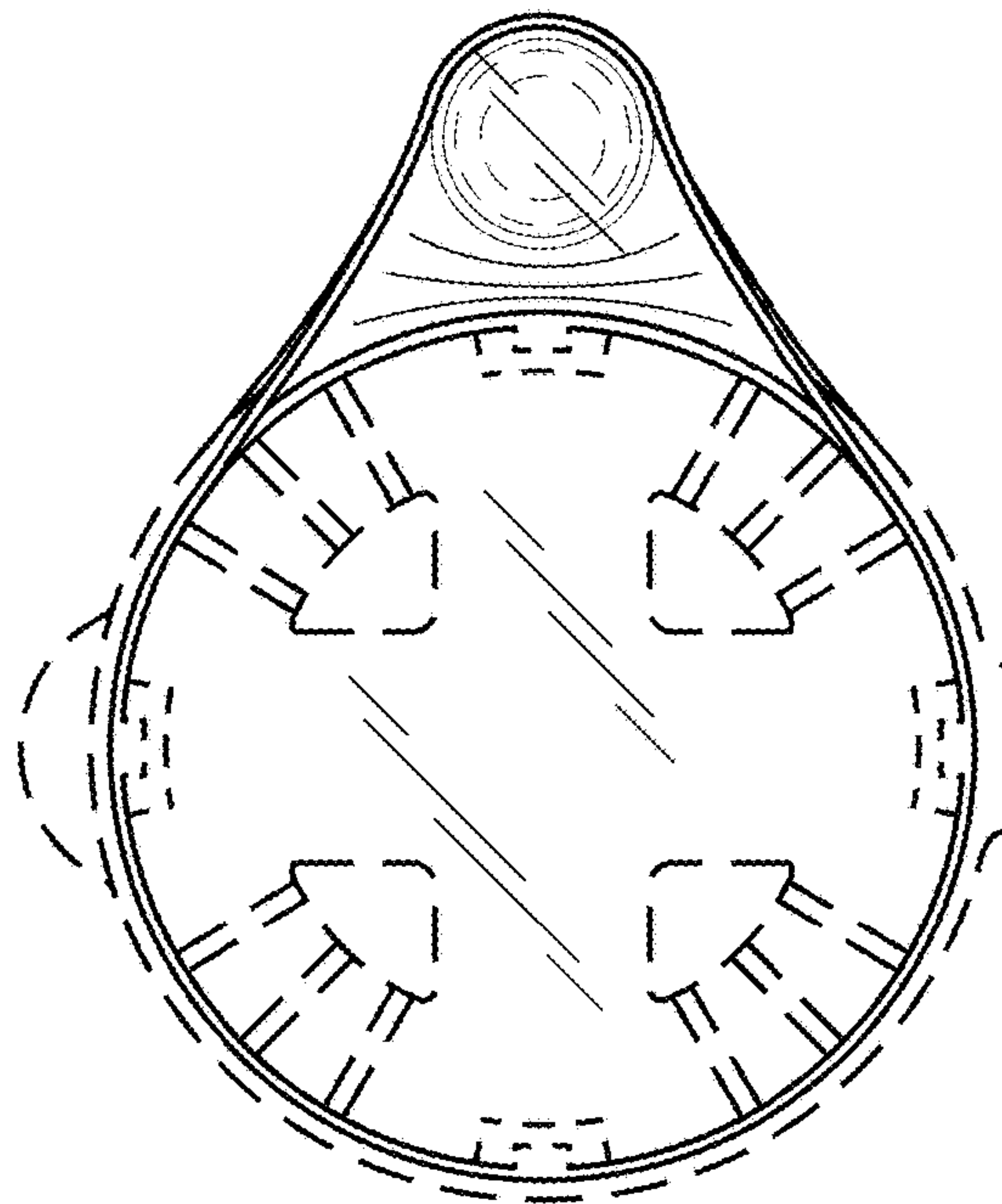


FIG. 14

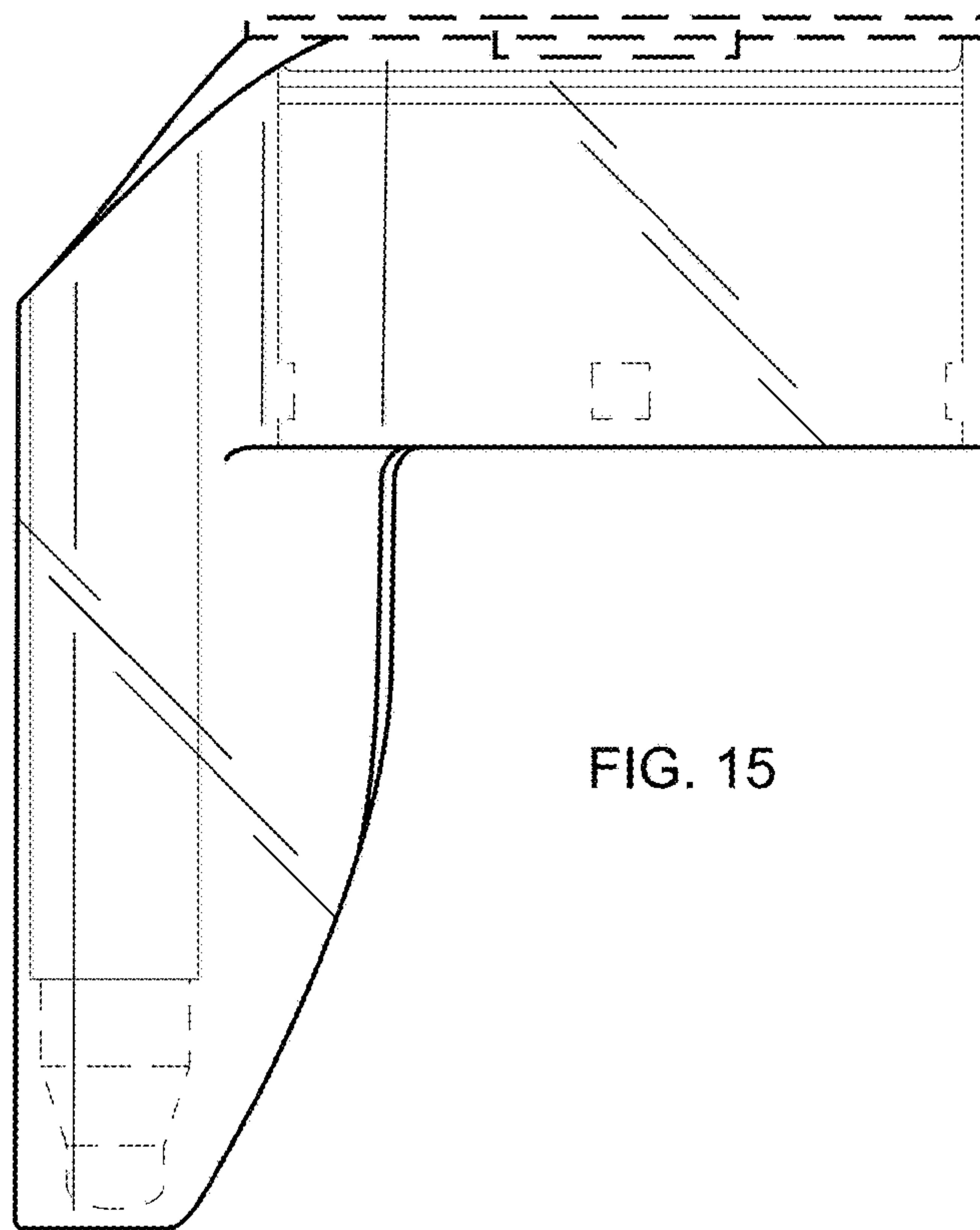


FIG. 15

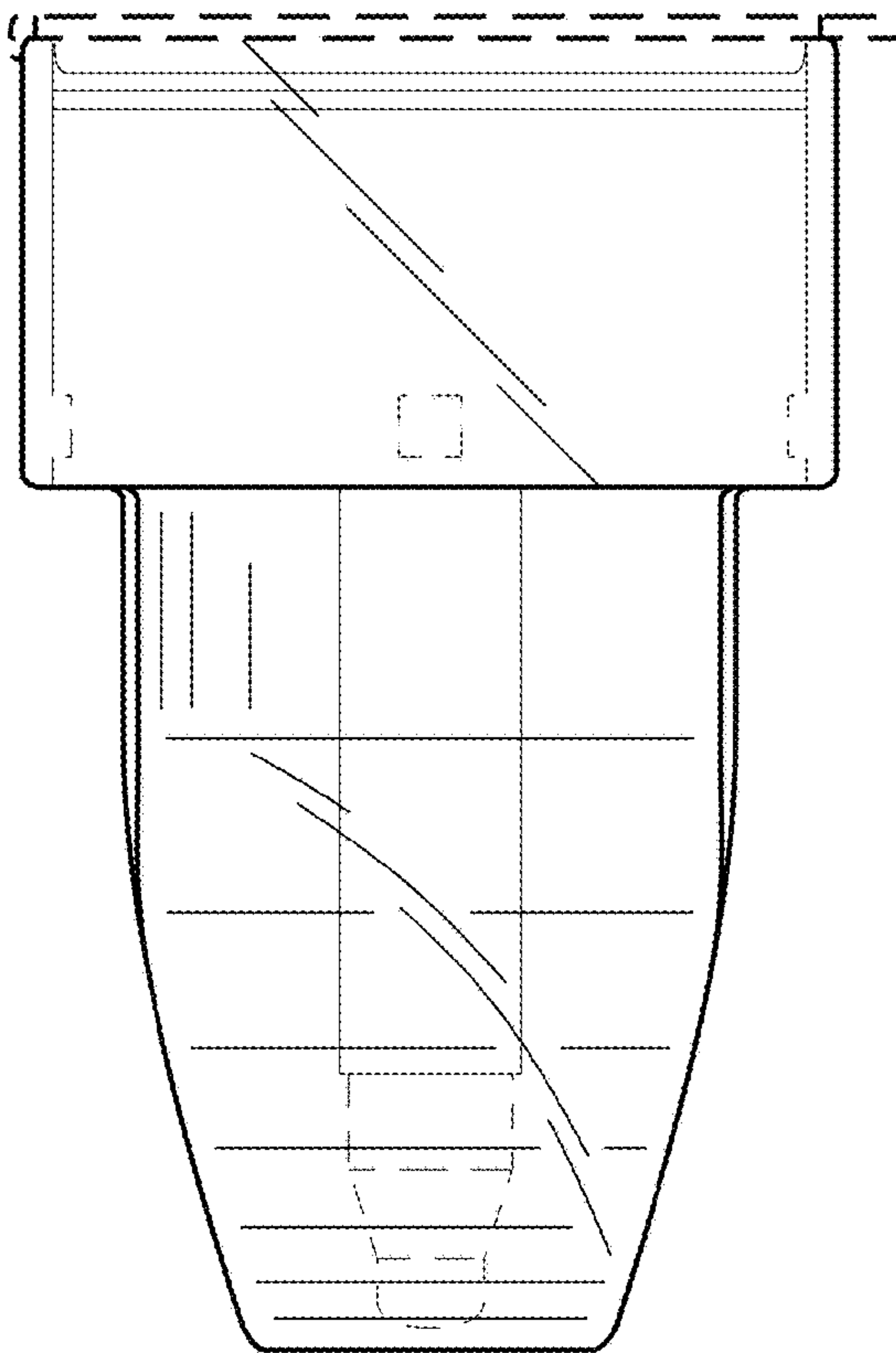


FIG. 16

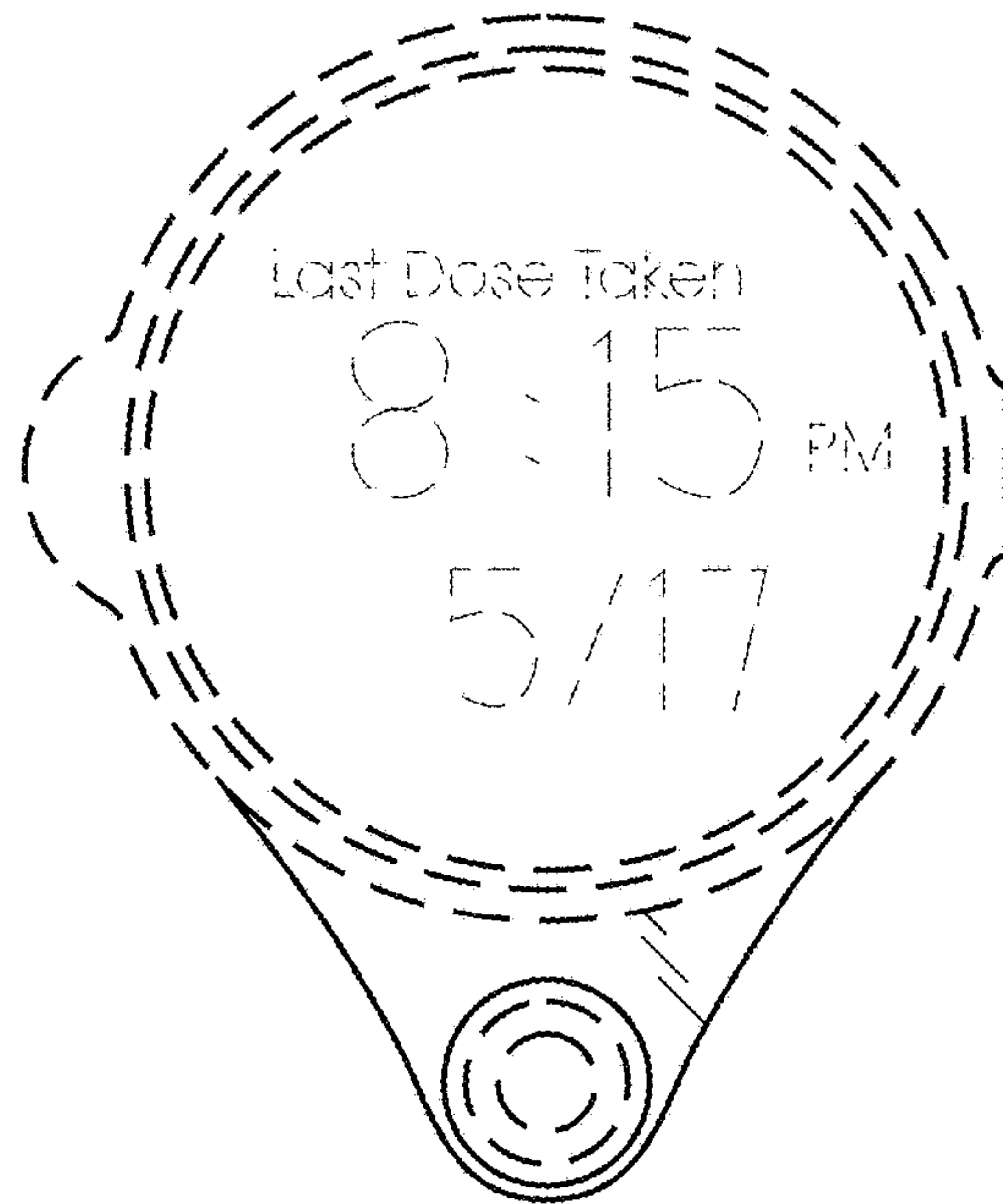


FIG. 17



FIG. 18