



US00D846980S

(12) **United States Design Patent** (10) **Patent No.:** **US D846,980 S**
Burrows (45) **Date of Patent:** **** *Apr. 30, 2019**

(54) **UNION NUT**

(71) Applicant: **3SC Global, LLC**, Kilgore, TX (US)

(72) Inventor: **Johnnie Rae Burrows**, Longview, TX (US)

(73) Assignee: **3SC Global, LLC**, Kilgore, TX (US)

(*) Notice: This patent is subject to a terminal disclaimer.

(**) Term: **15 Years**

(21) Appl. No.: **29/644,065**

(22) Filed: **Apr. 13, 2018**

Related U.S. Application Data

(63) Continuation-in-part of application No. 29/587,006, filed on Dec. 8, 2016, now Pat. No. Des. 817,751.

(51) **LOC (11) Cl.** **08-08**

(52) **U.S. Cl.**
USPC **D8/397**

(58) **Field of Classification Search**
USPC D8/399, 382, 349, 397, 394
(Continued)

(56) **References Cited**

U.S. PATENT DOCUMENTS

2,764,428 A 9/1956 Murphy
3,058,761 A 10/1962 Christophersen
(Continued)

FOREIGN PATENT DOCUMENTS

GB 2273167 B 11/1995
WO 9715814 A1 5/1997
(Continued)

OTHER PUBLICATIONS

Figures 4A and 4B of co-pending U.S. Appl. No. 15/372,925.
(Continued)

Primary Examiner — Cynthia R Underwood

(74) *Attorney, Agent, or Firm* — Michael A. Benefield; Benefield Law

(57) **CLAIM**

The ornamental design for a union nut, as shown and described.

DESCRIPTION

FIG. 1 is an upper-right-front perspective view of a union nut showing my new design;
FIG. 2 is a lower-left-rear perspective view thereof;
FIG. 3 is a front elevation view thereof;
FIG. 4 is a right hand elevation view thereof, the left hand elevation view being a mirror image thereto;
FIG. 5 is a top plan view thereof, the bottom plan view being a mirror image thereto; and
FIG. 6 is a rear elevation view thereof;
FIG. 7 is an upper-right-front perspective view of a second embodiment of a union nut showing my new design;
FIG. 8 is a lower-left-rear perspective view thereof;
FIG. 9 is a front elevation view thereof;
FIG. 10 is a right hand elevation view thereof, the left hand elevation view being a mirror image thereto;
FIG. 11 is a top plan view thereof, the bottom plan view being a mirror image thereto; and
FIG. 12 is a rear elevation view thereof;
FIG. 13 is an upper-right-front perspective view of a third embodiment of a union nut showing my new design;
FIG. 14 is a lower-left-rear perspective view thereof;
FIG. 15 is a front elevation view thereof;
FIG. 16 is a right hand elevation view thereof, the left hand elevation view being a mirror image thereto;
FIG. 17 is a top plan view thereof, the bottom plan view being a mirror image thereto; and
FIG. 18 is a rear elevation view thereof;
FIG. 19 is an upper-right-front perspective view of a fourth embodiment of a union nut showing my new design;
FIG. 20 is a lower-left-rear perspective view thereof;
FIG. 21 is a front elevation view thereof;
FIG. 22 is a right hand elevation view thereof, the left hand elevation view being a mirror image thereto;

(Continued)

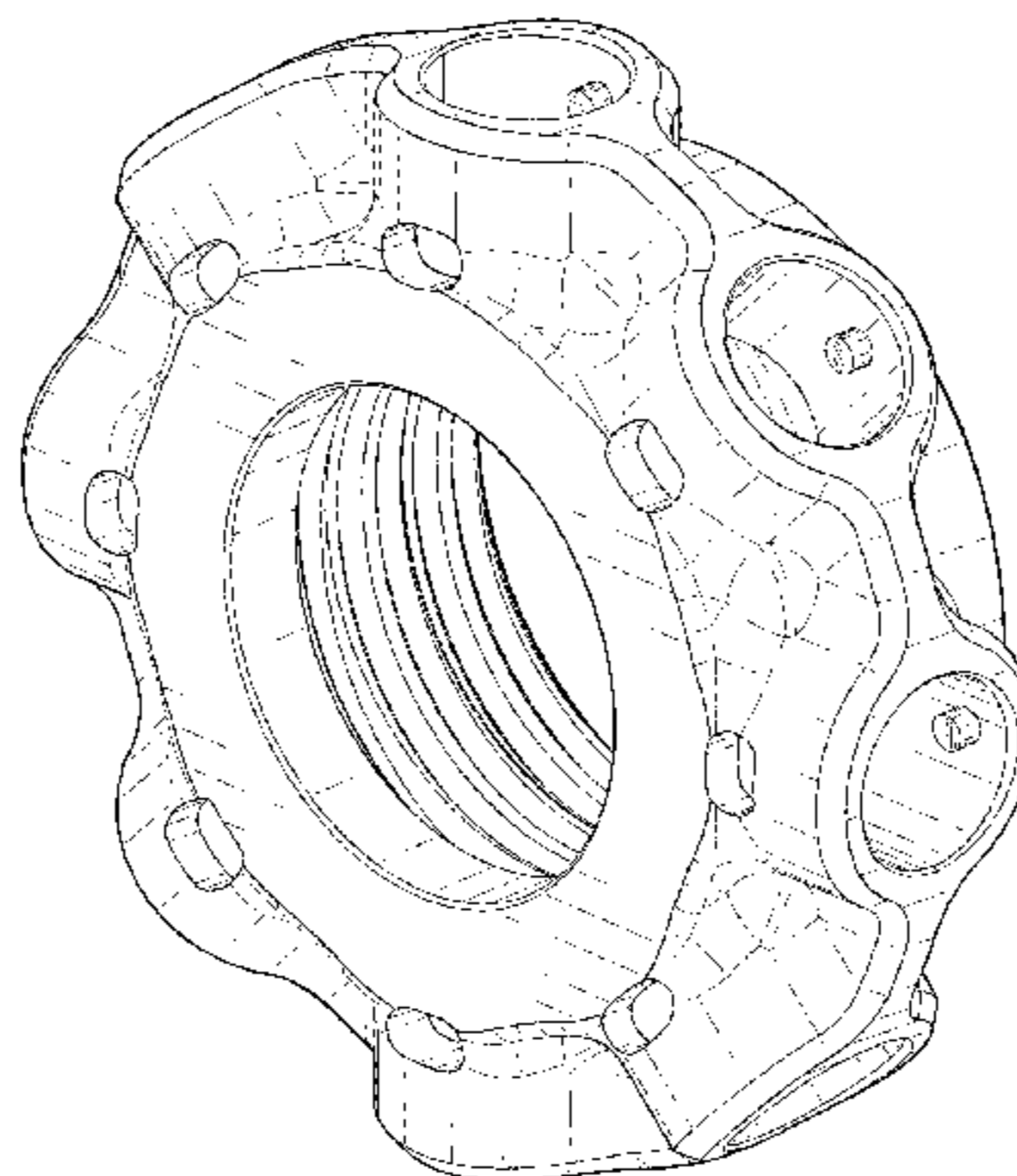


FIG. 23 is a top plan view thereof, the bottom plan view being a mirror image thereto; and
 FIG. 24 is a rear elevation view thereof;
 FIG. 25 is an upper-right-front perspective view of a fifth embodiment of a union nut showing my new design;
 FIG. 26 is a lower-left-rear perspective view thereof;
 FIG. 27 is a front elevation view thereof;
 FIG. 28 is a right hand elevation view thereof, the left hand elevation view being a mirror image thereto;
 FIG. 29 is a top plan view thereof, the bottom plan view being a mirror image thereto; and,
 FIG. 30 is a rear elevation view thereof.

1 Claim, 15 Drawing Sheets

(58) **Field of Classification Search**

CPC F16B 39/24; F16B 31/028; F16B 39/28;
 F16B 41/002; E04G 25/065; F01L 9/04;
 B25B 13/50

See application file for complete search history.

(56) **References Cited**

U.S. PATENT DOCUMENTS

3,743,325 A 7/1973 Schlarb
 3,752,507 A 8/1973 Maurer
 5,131,300 A * 7/1992 Daniel B25B 13/04
 81/111
 5,170,659 A 12/1992 Kemp
 6,024,491 A * 2/2000 Bak F16C 17/024
 384/103

6,764,109 B2 7/2004 Richardson et al.
 6,923,254 B2 8/2005 Morrow et al.
 6,945,569 B1 9/2005 Diaz et al.
 7,213,660 B2 5/2007 Martin
 D603,017 S 10/2009 Nimberger
 D609,999 S * 2/2010 Andersson D8/399
 D694,078 S 11/2013 Dumaine et al.
 D721,335 S * 1/2015 Smeja D13/155
 9,186,780 B2 11/2015 Dumaine et al.
 2003/0015840 A1 1/2003 Davis
 2004/0207159 A1 10/2004 Morrow et al.
 2004/0245727 A1 12/2004 Bunn
 2005/0206090 A1 9/2005 Bunn
 2006/0042789 A1 3/2006 Kubala
 2007/0251703 A1 11/2007 Riley et al.
 2008/0136168 A1 6/2008 Ungchusri et al.
 2009/0152006 A1 6/2009 Leduc et al.
 2014/0260817 A1 9/2014 Wilson et al.
 2015/0226355 A1 8/2015 Ungchusri et al.
 2015/0369415 A1 12/2015 Bond, Jr. et al.
 2016/0339563 A1 * 11/2016 Wilson B25B 13/5091

FOREIGN PATENT DOCUMENTS

WO 02101191 A2 12/2002
 WO 2004051004 A2 6/2004
 WO 2010089572 A1 12/2010
 WO 2013170178 A2 11/2013

OTHER PUBLICATIONS

Provisional U.S. Appl. No. 62/265,656.
 U.S. Appl. No. 15/372,925, filed Dec. 8, 2016.
 U.S. Appl. No. 62/265,656, filed Dec. 10, 2015.

* cited by examiner

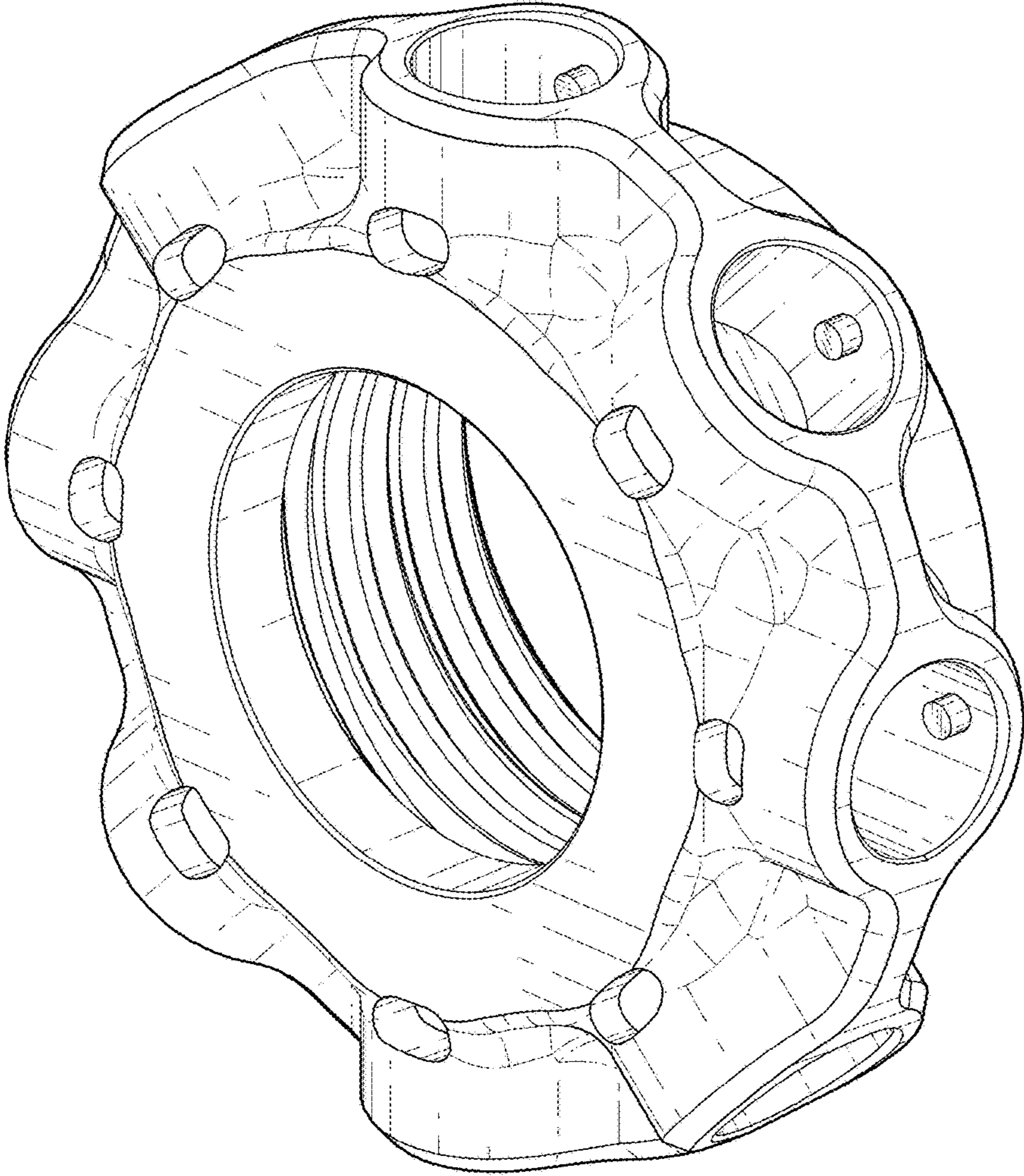


Fig. 1

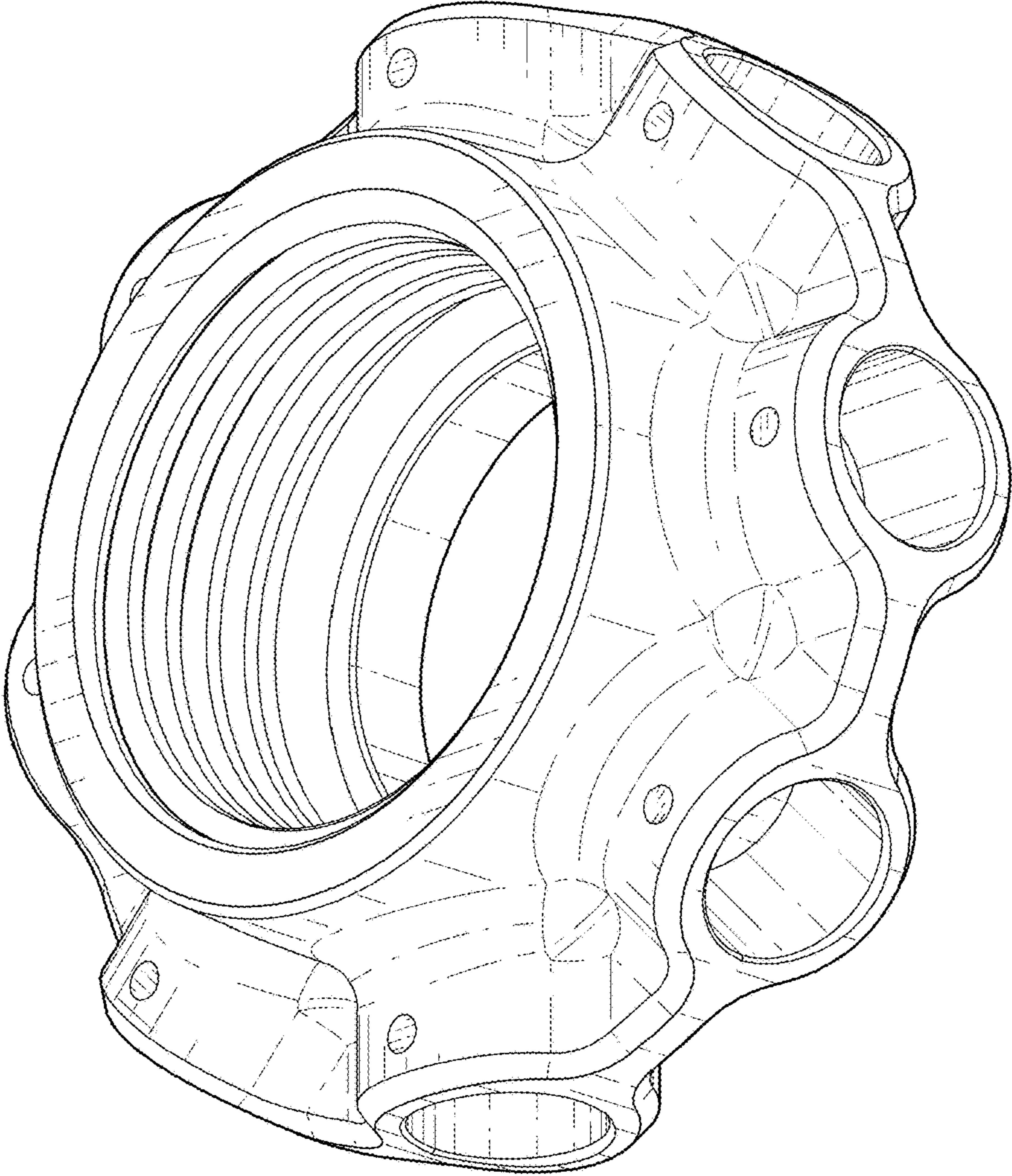


Fig. 2

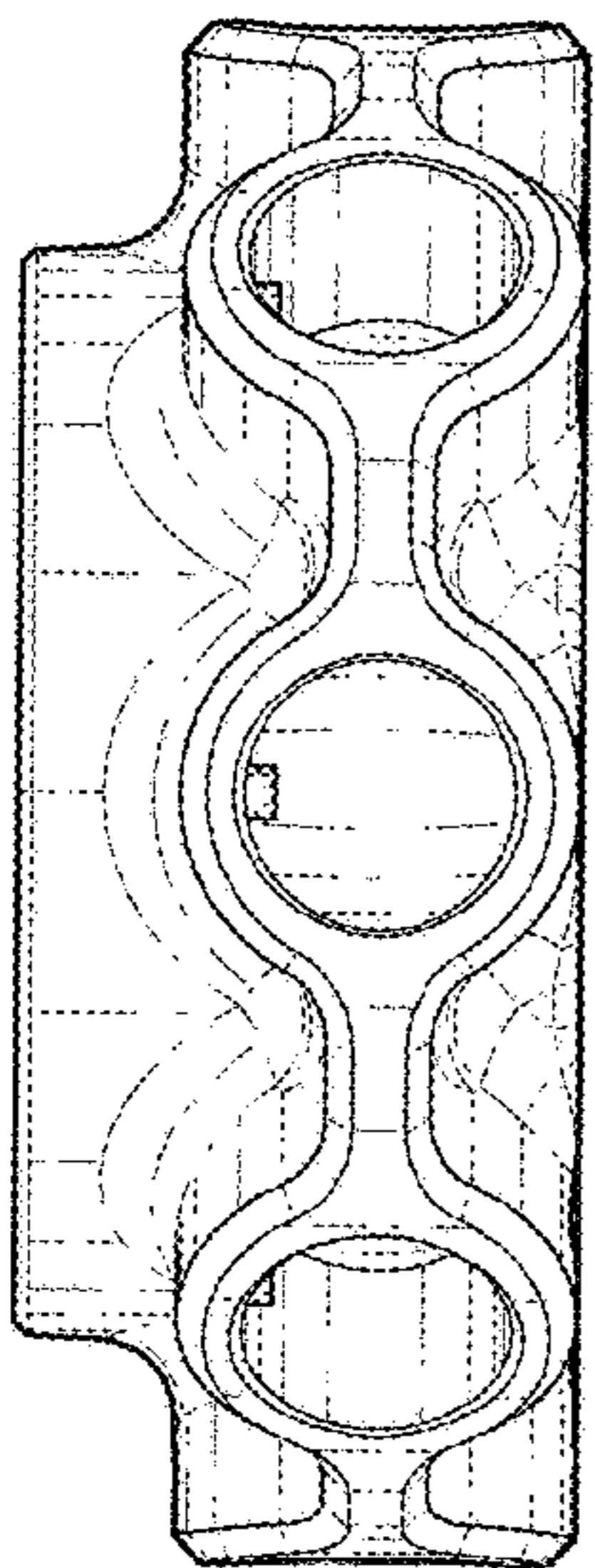


Fig. 5

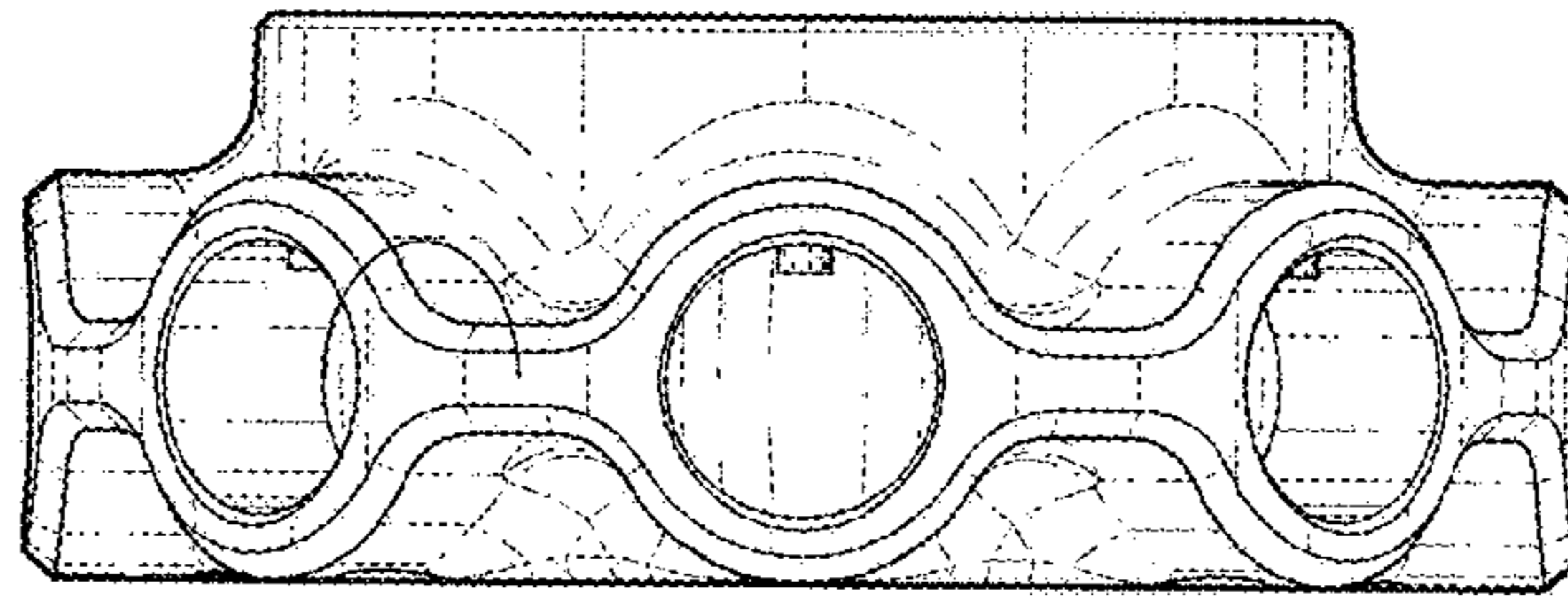


Fig. 4

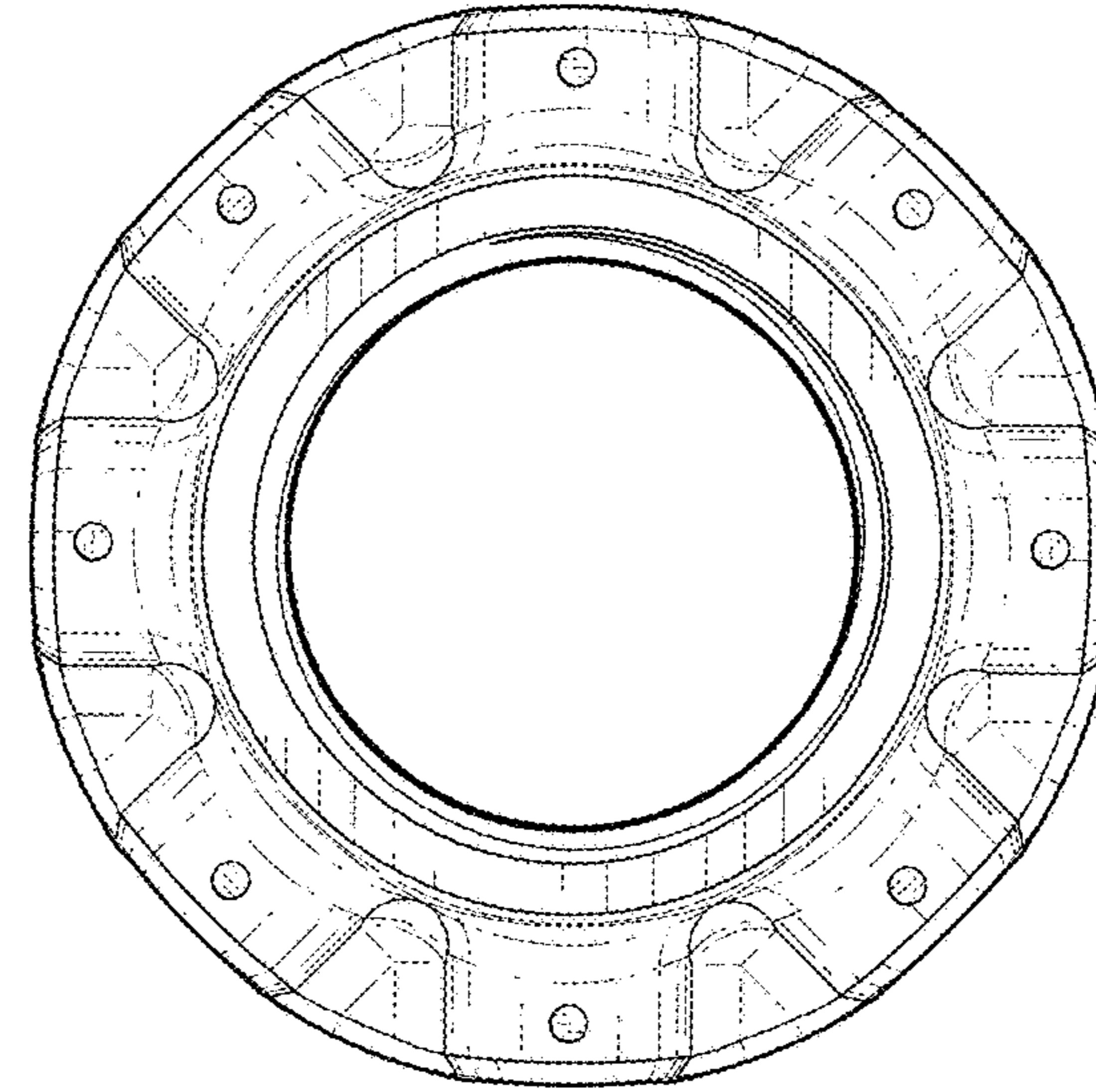


Fig. 6

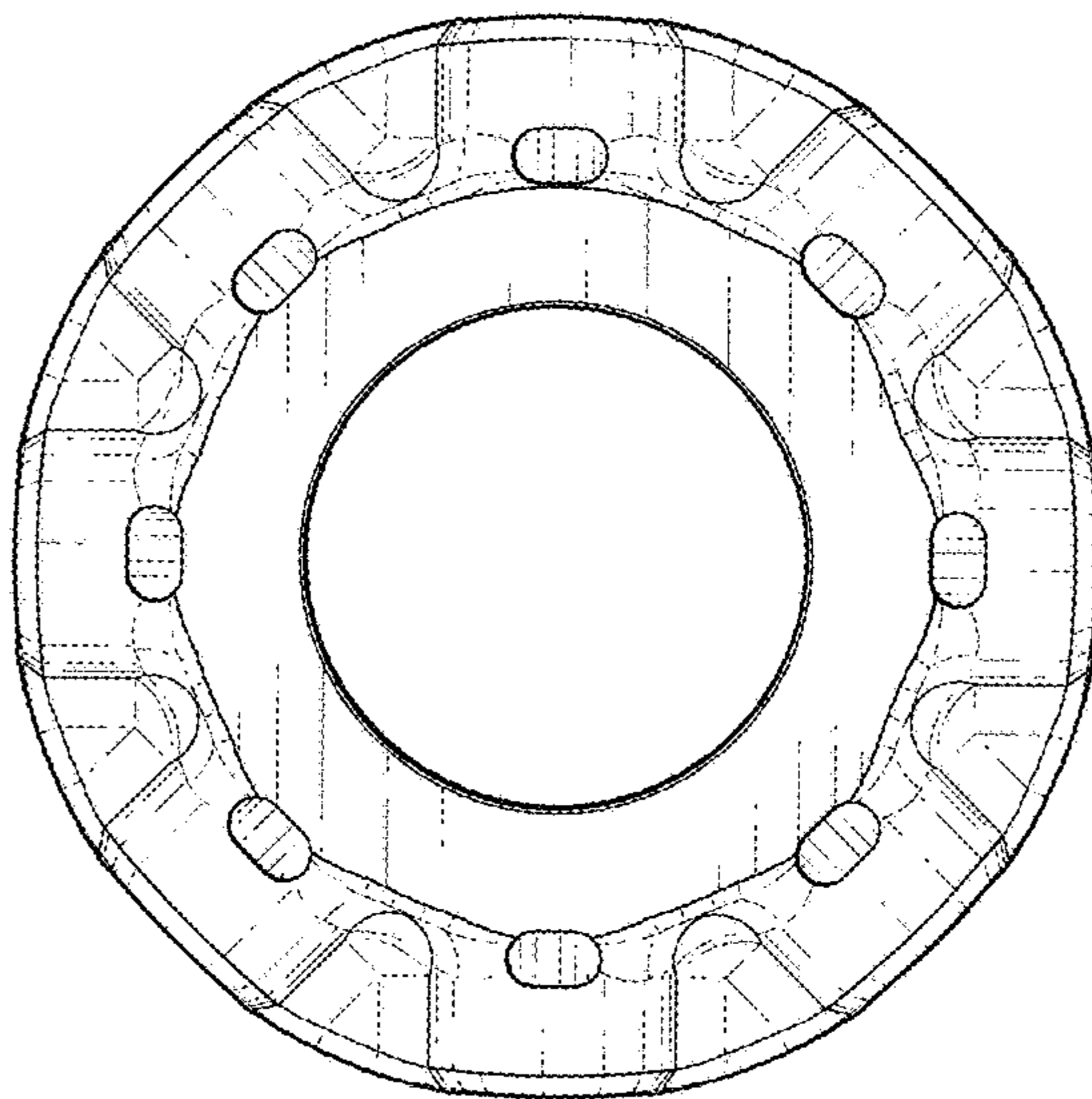


Fig. 3

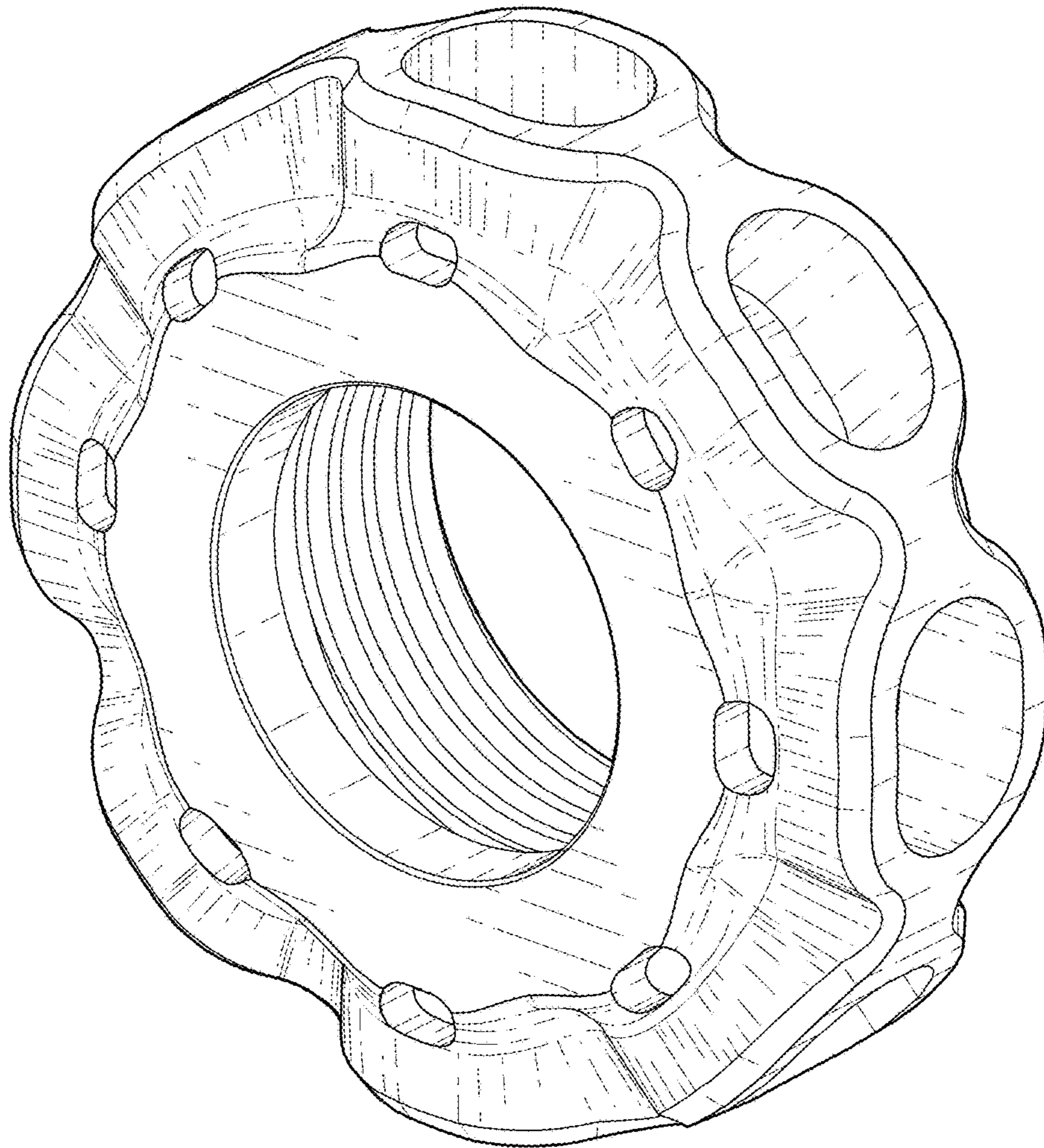


Fig. 7

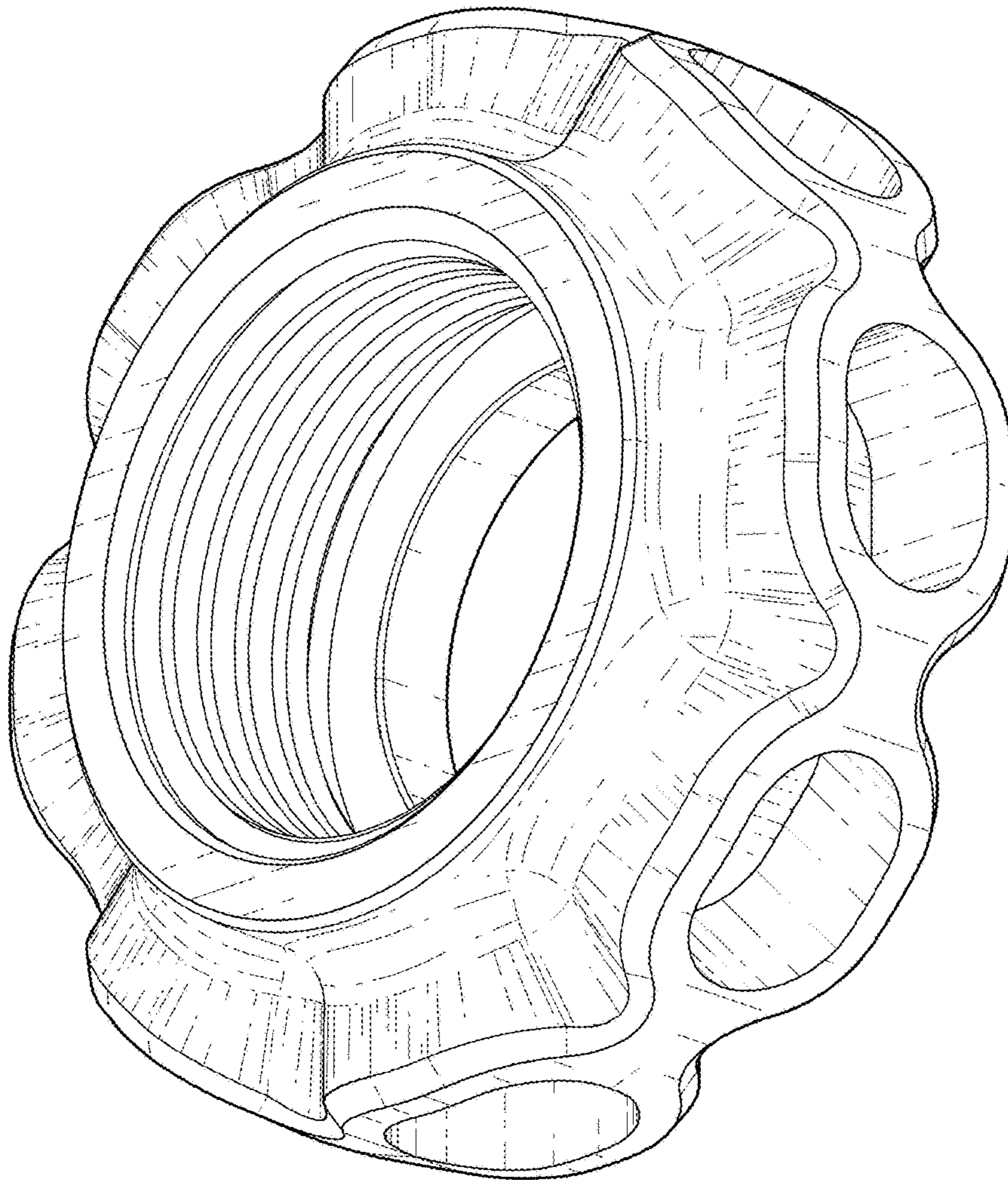


Fig. 8

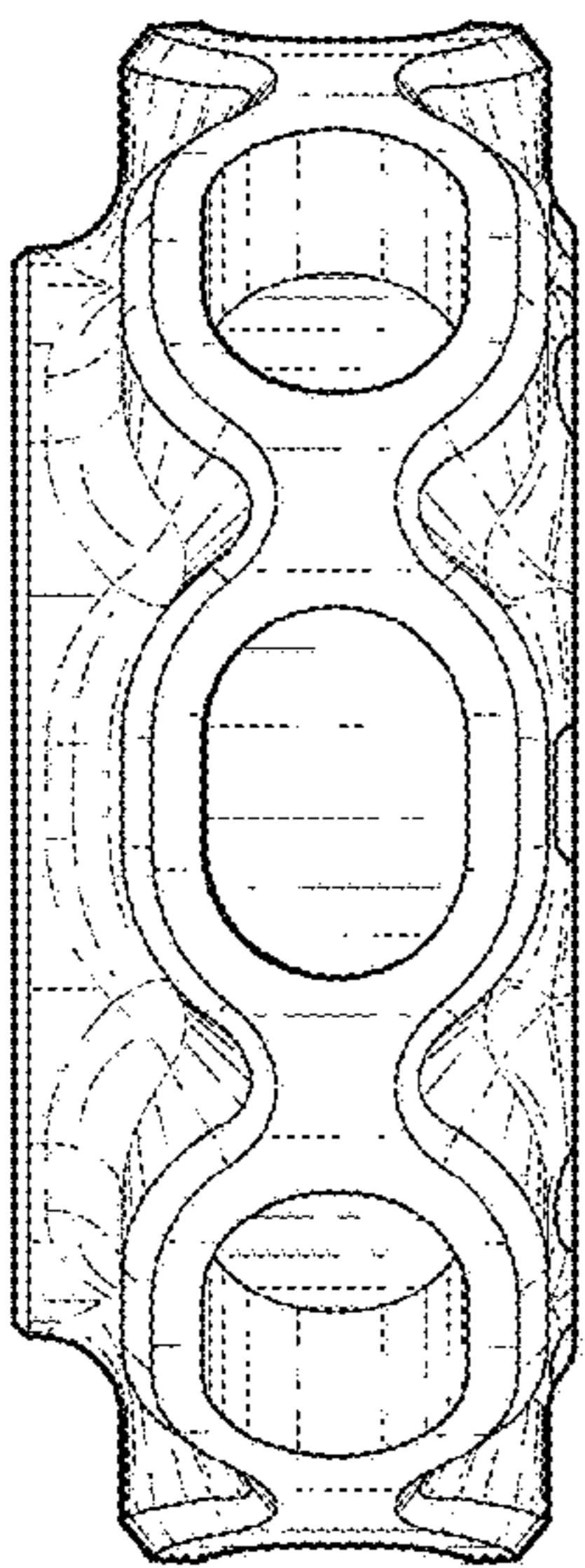


Fig. 11

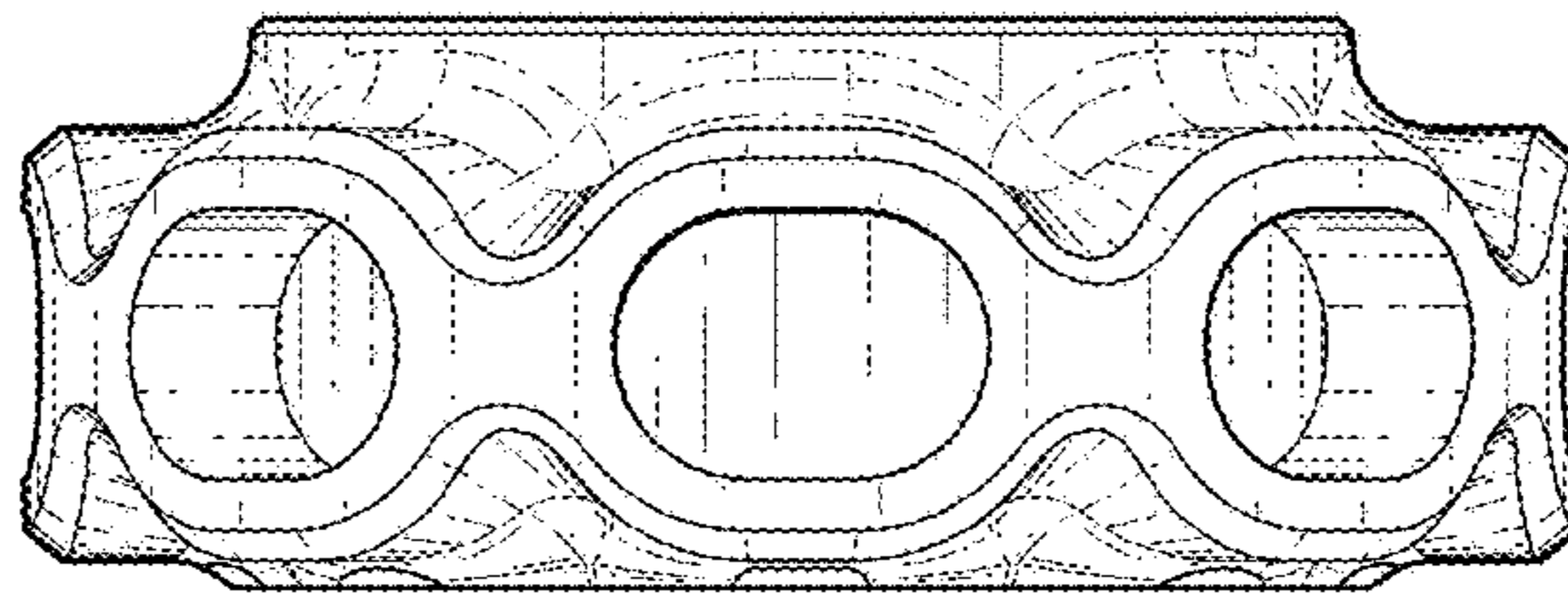


Fig. 10

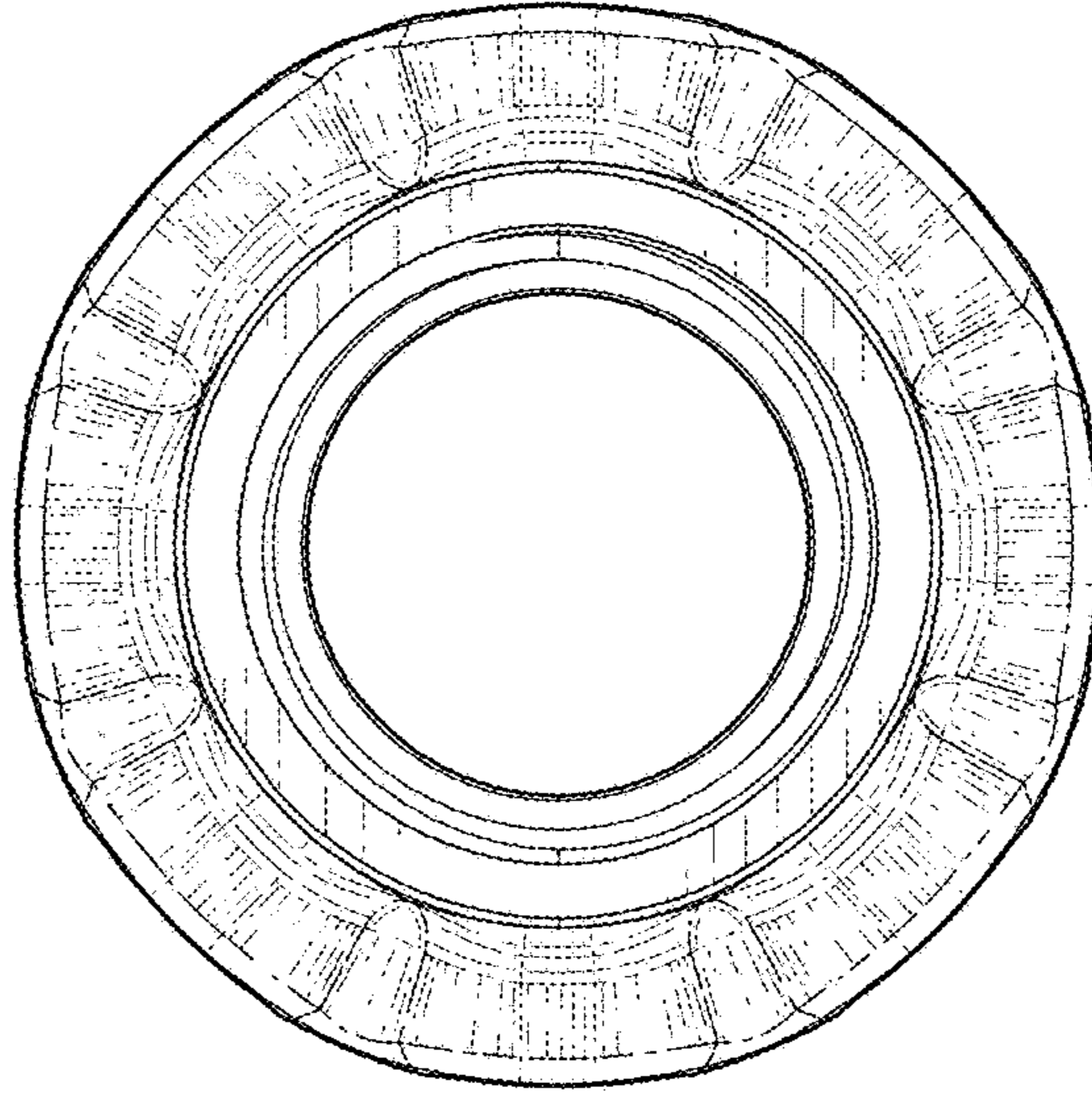


Fig. 12

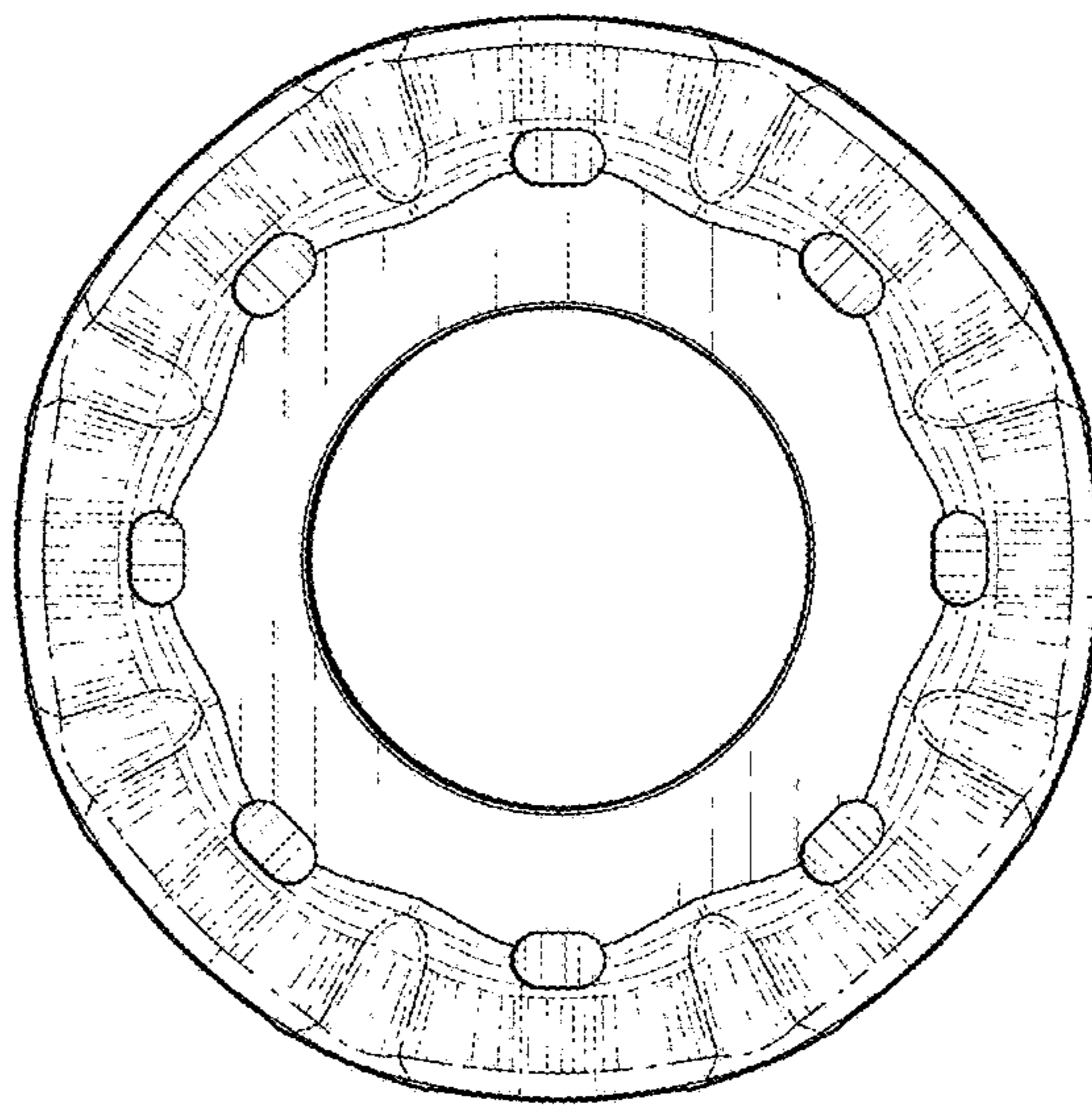


Fig. 9

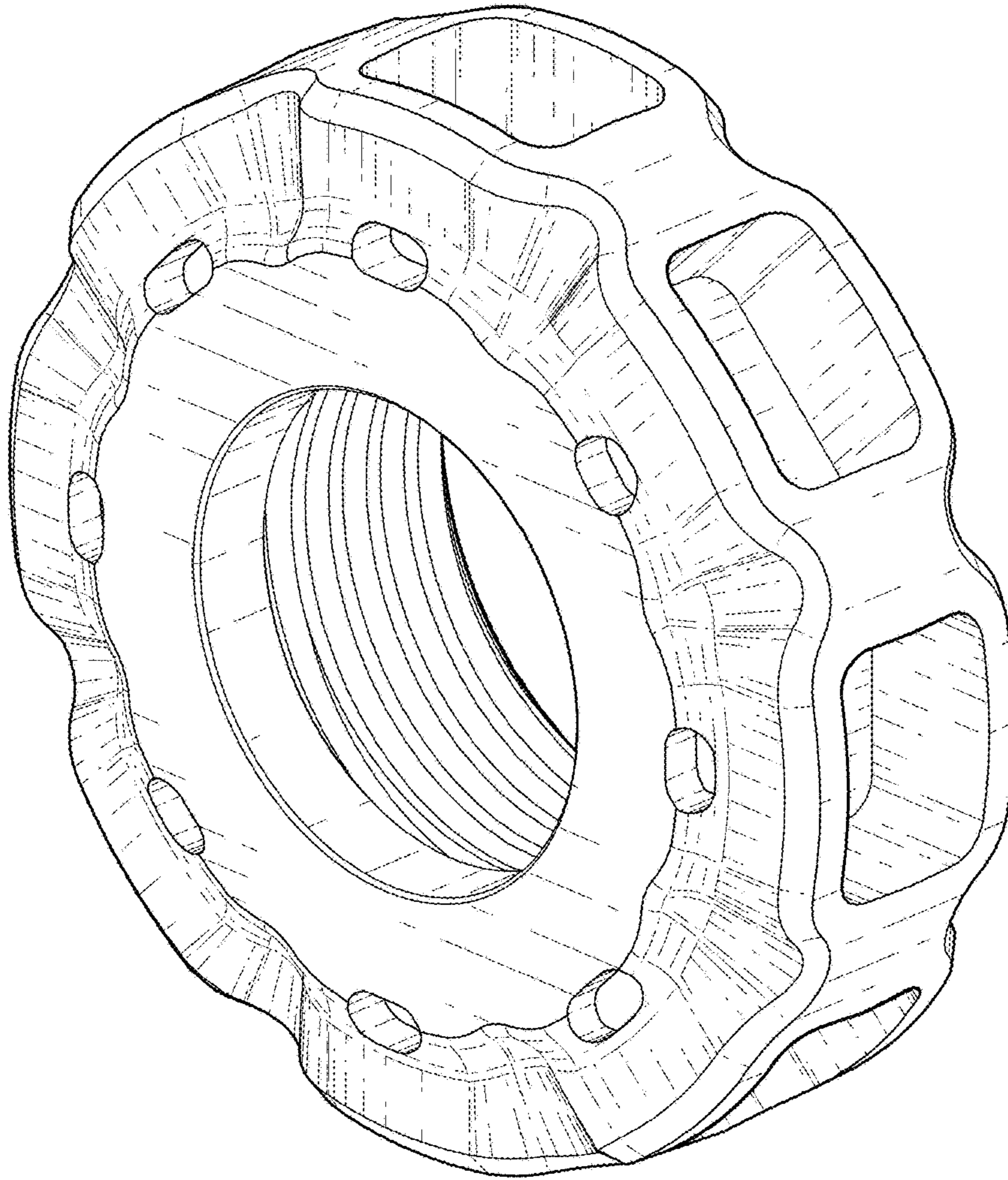


Fig. 13

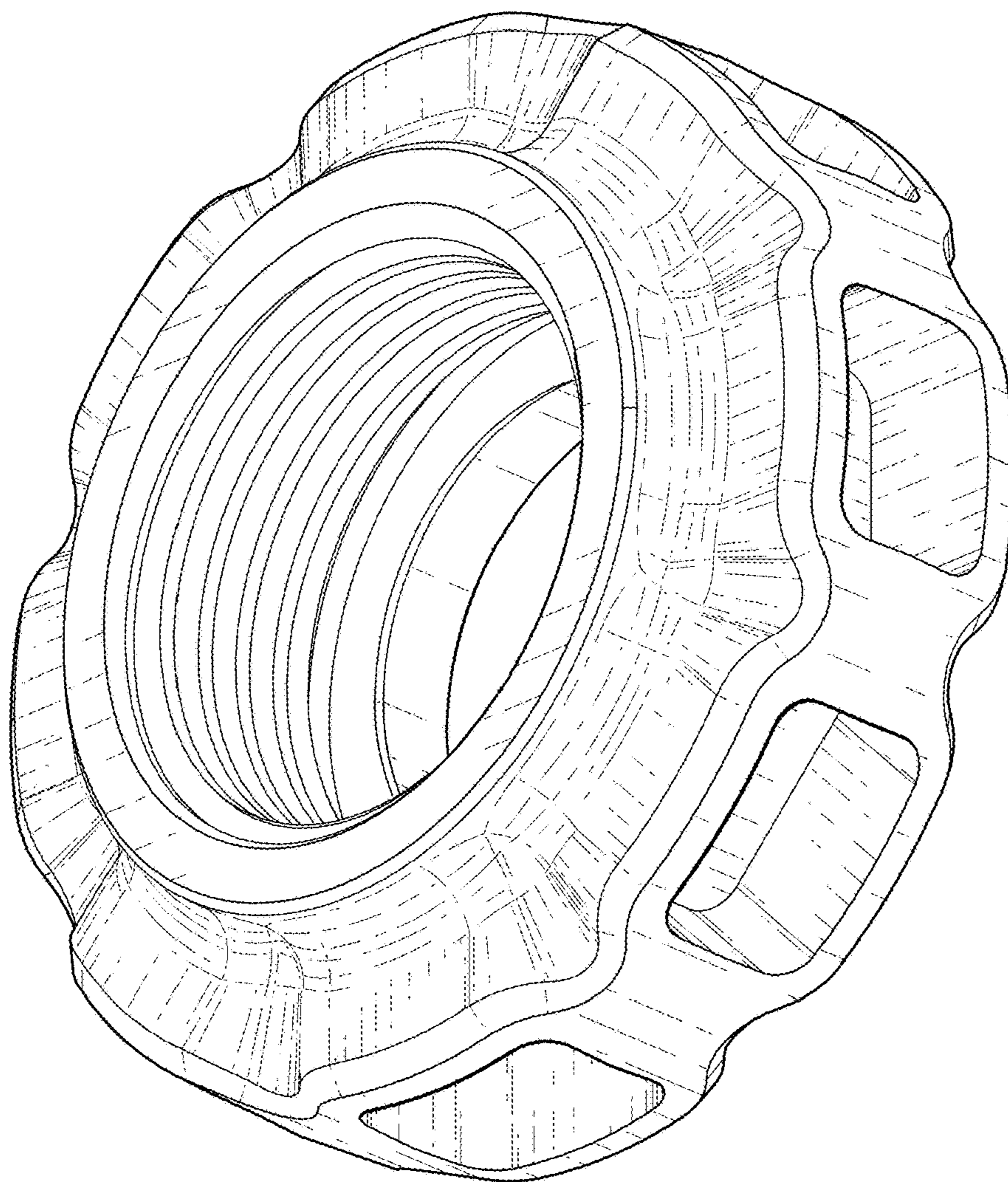


Fig. 14

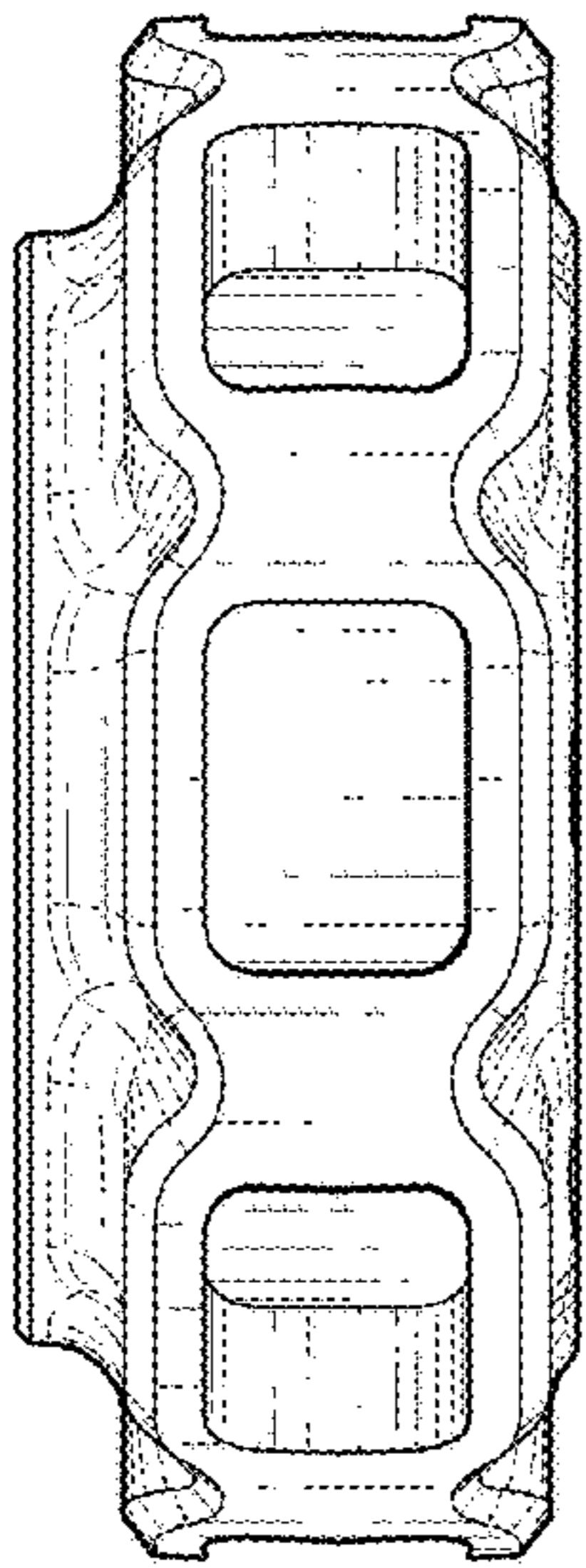


Fig. 17

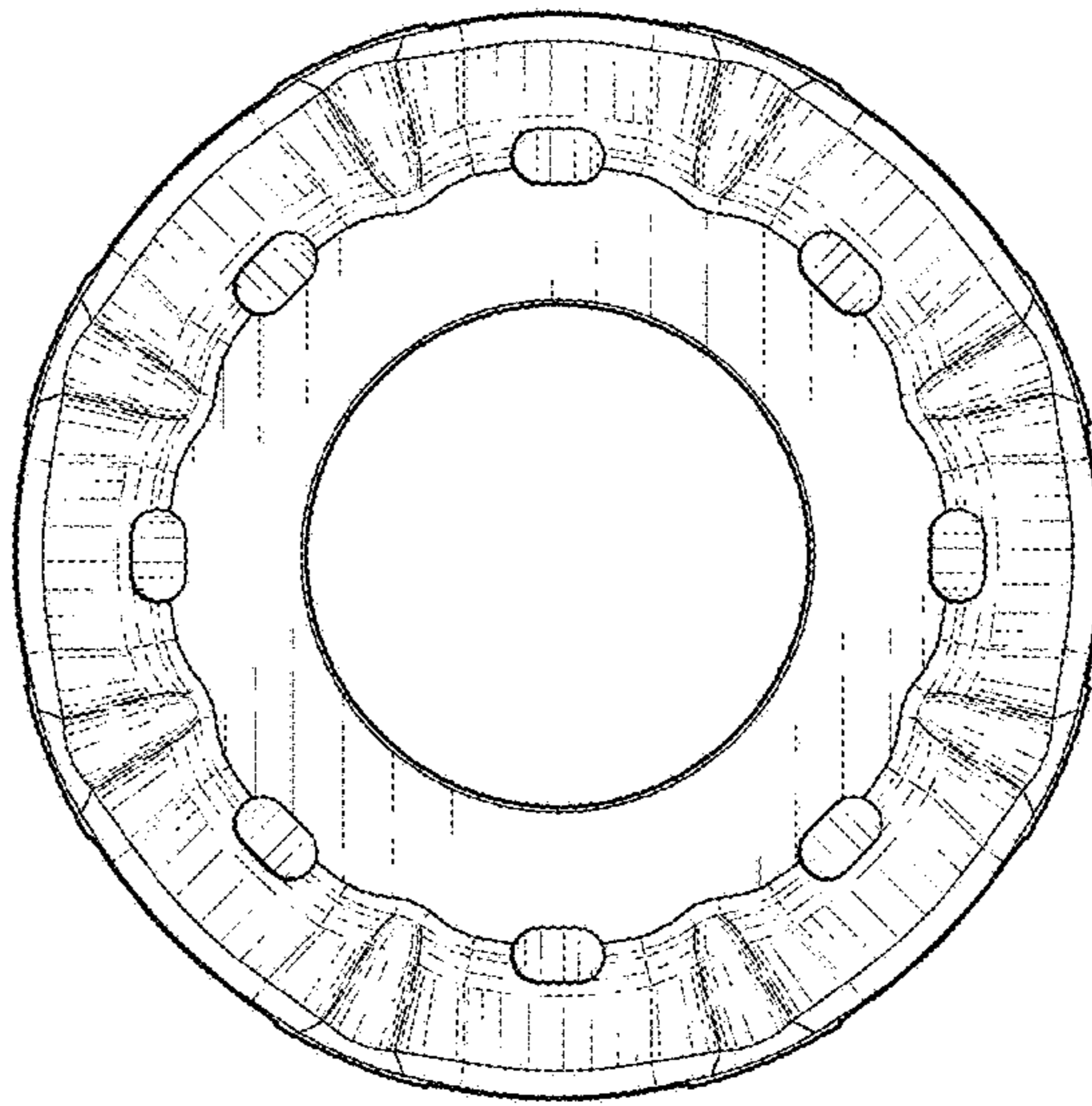


Fig. 15

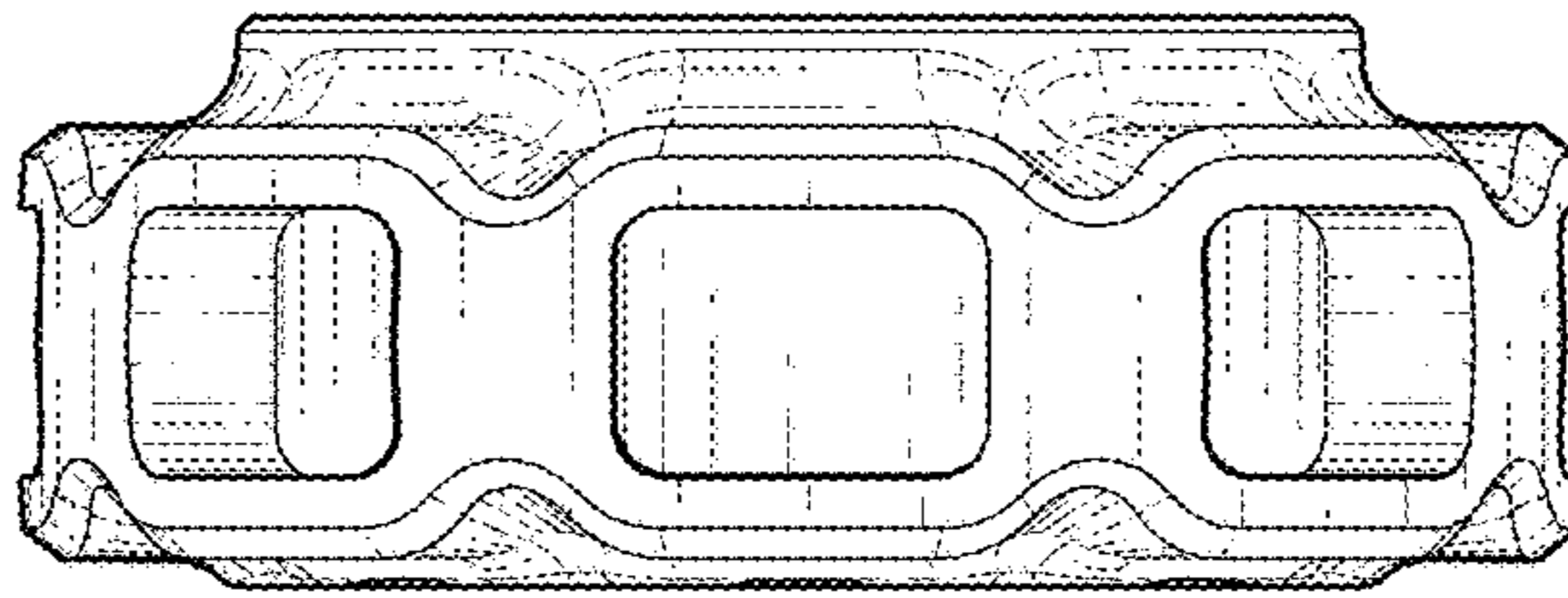


Fig. 16

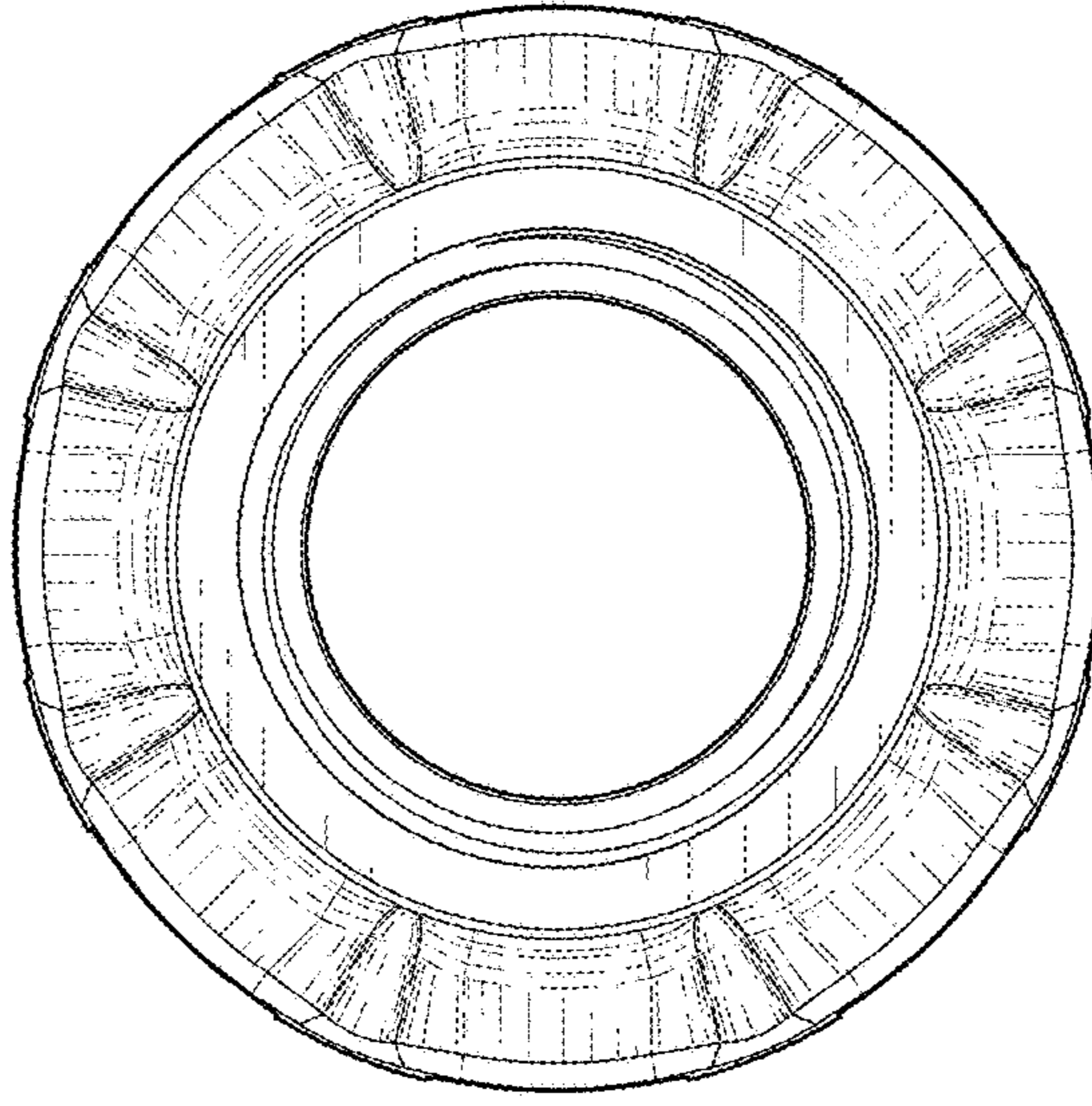


Fig. 18

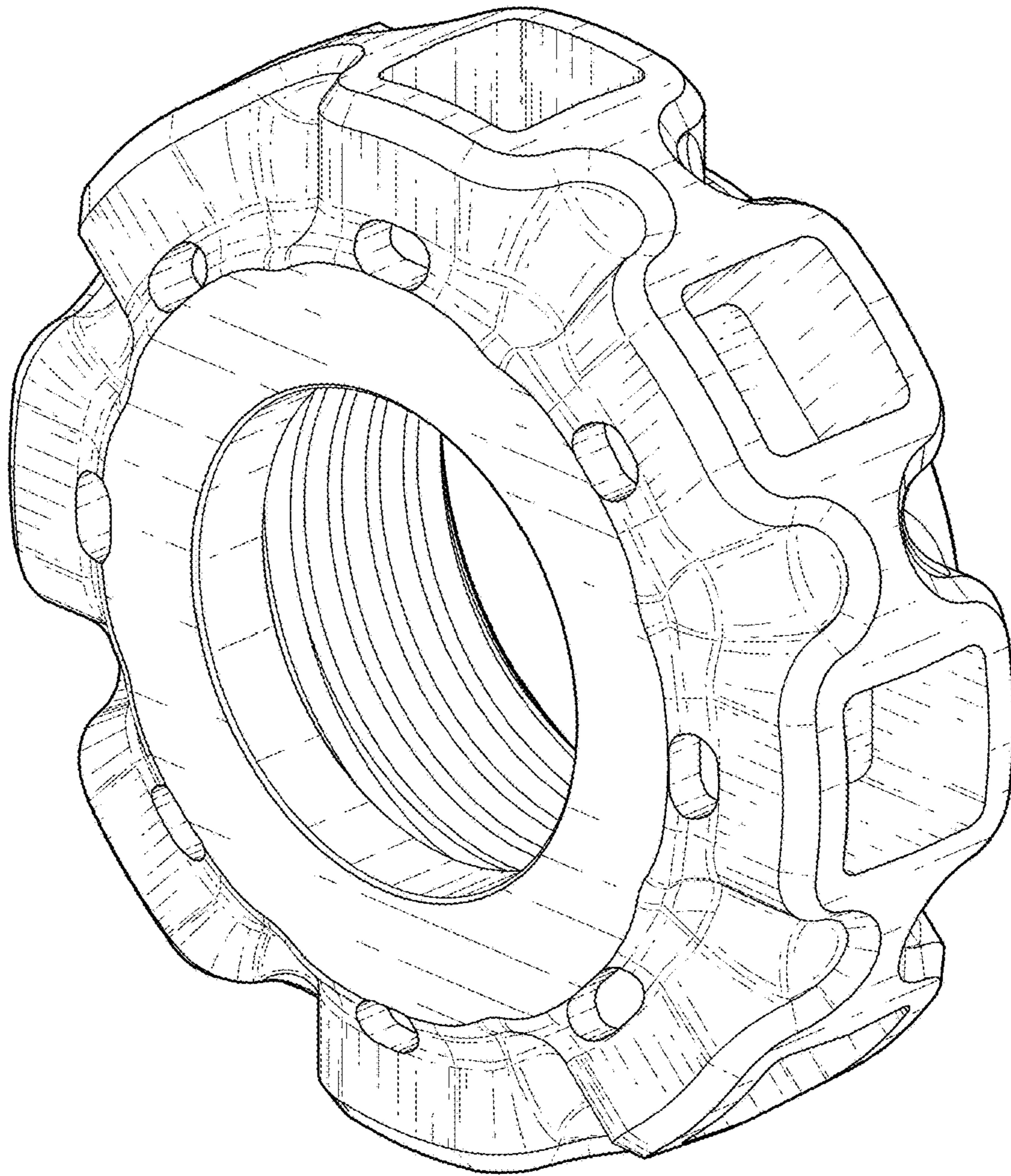


Fig. 19

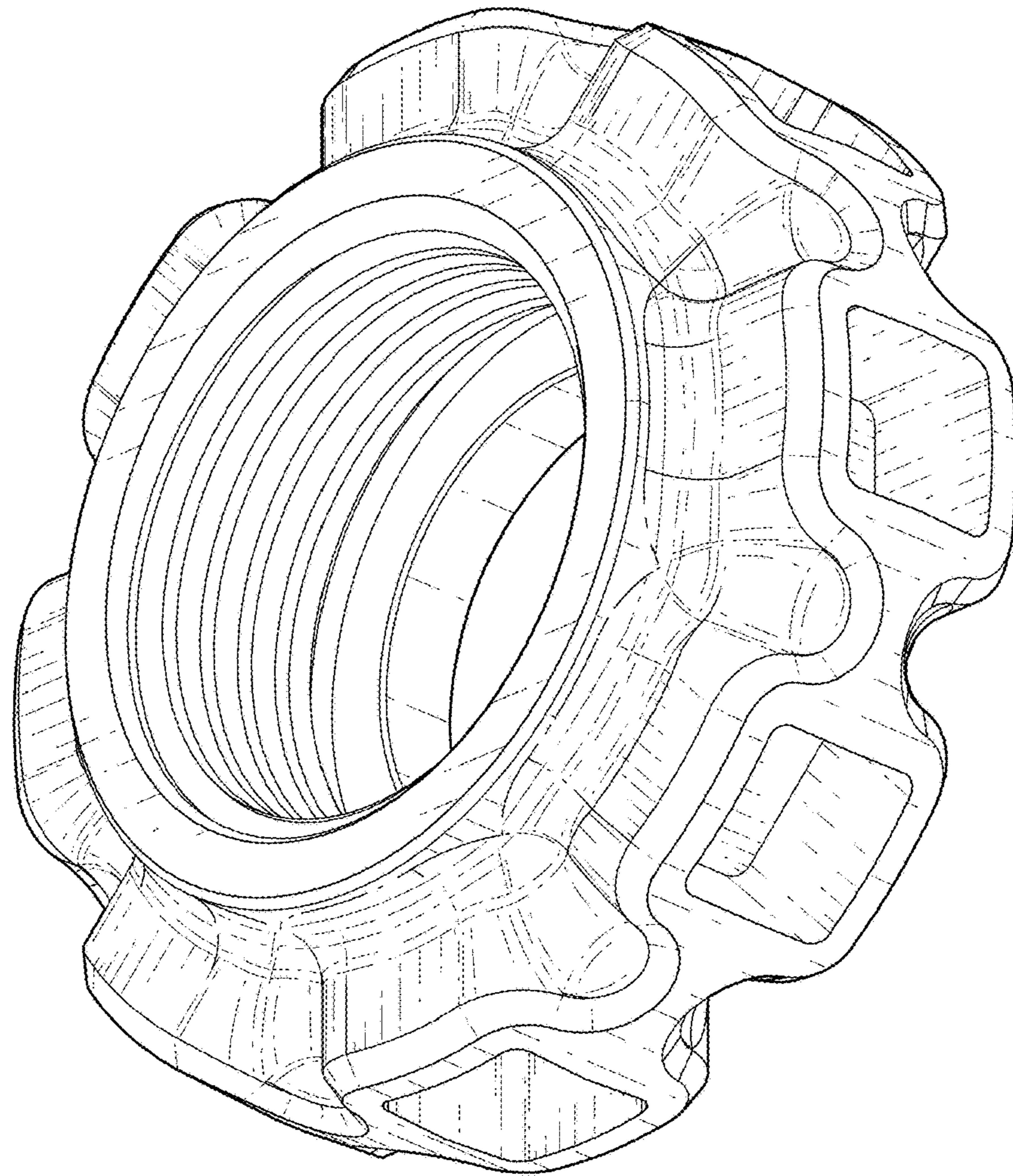


Fig. 20

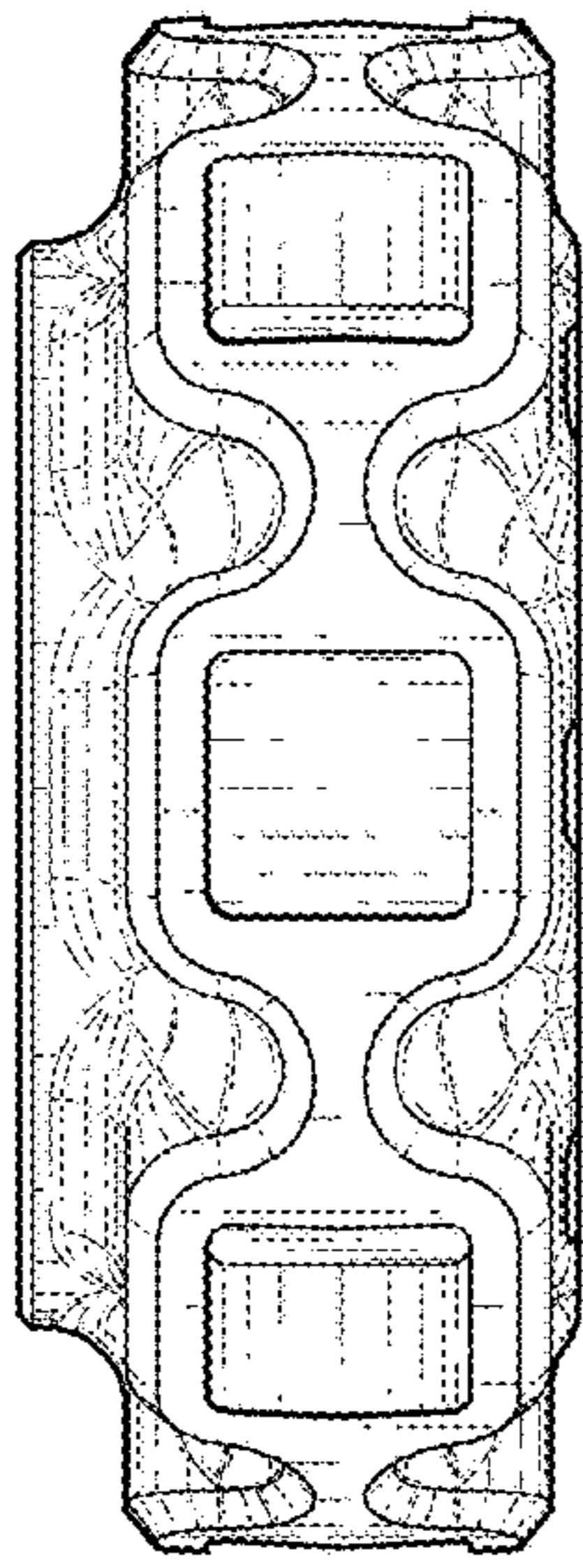


Fig. 23

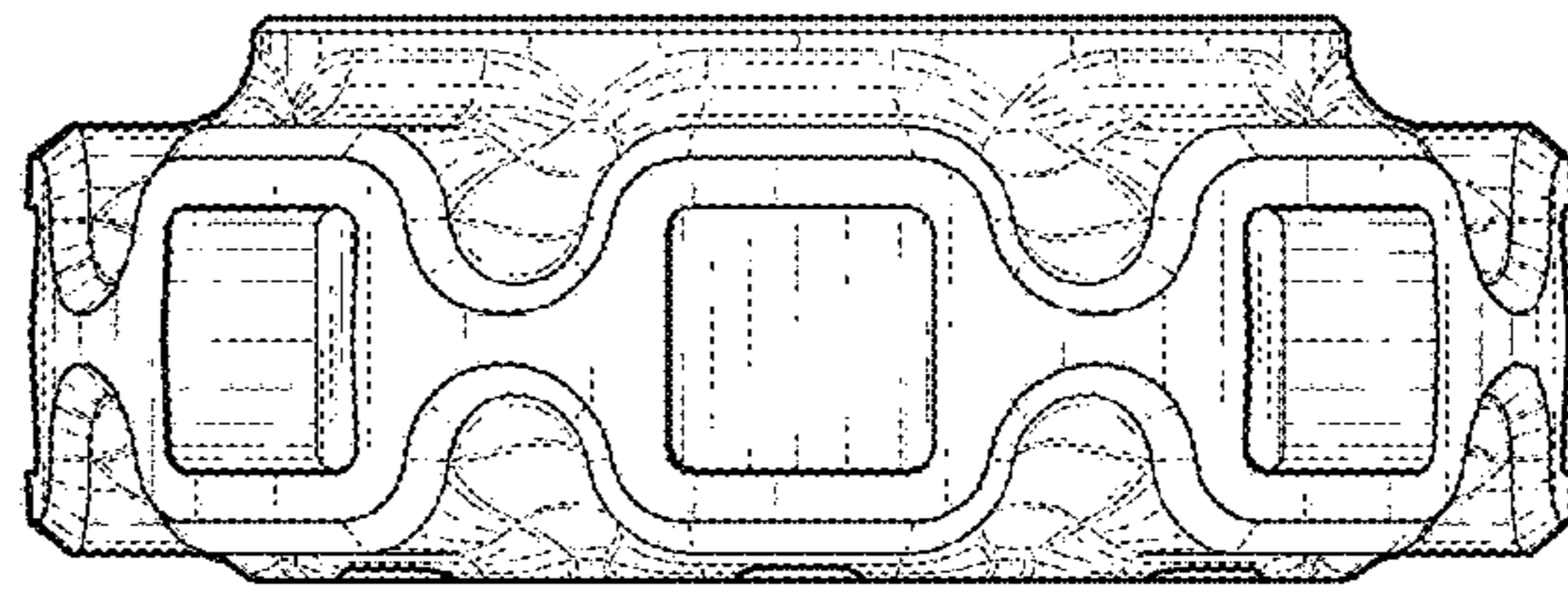


Fig. 22

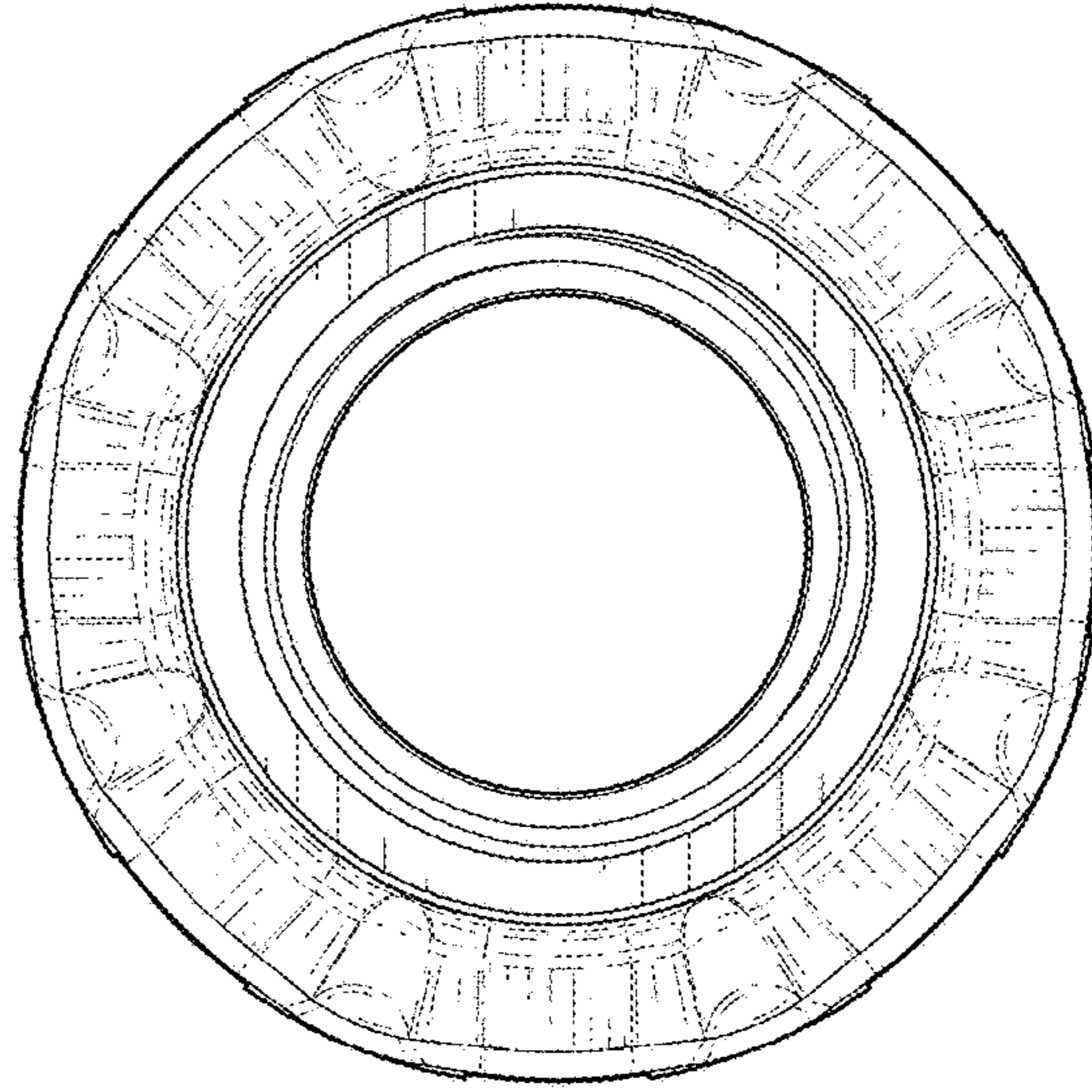


Fig. 24

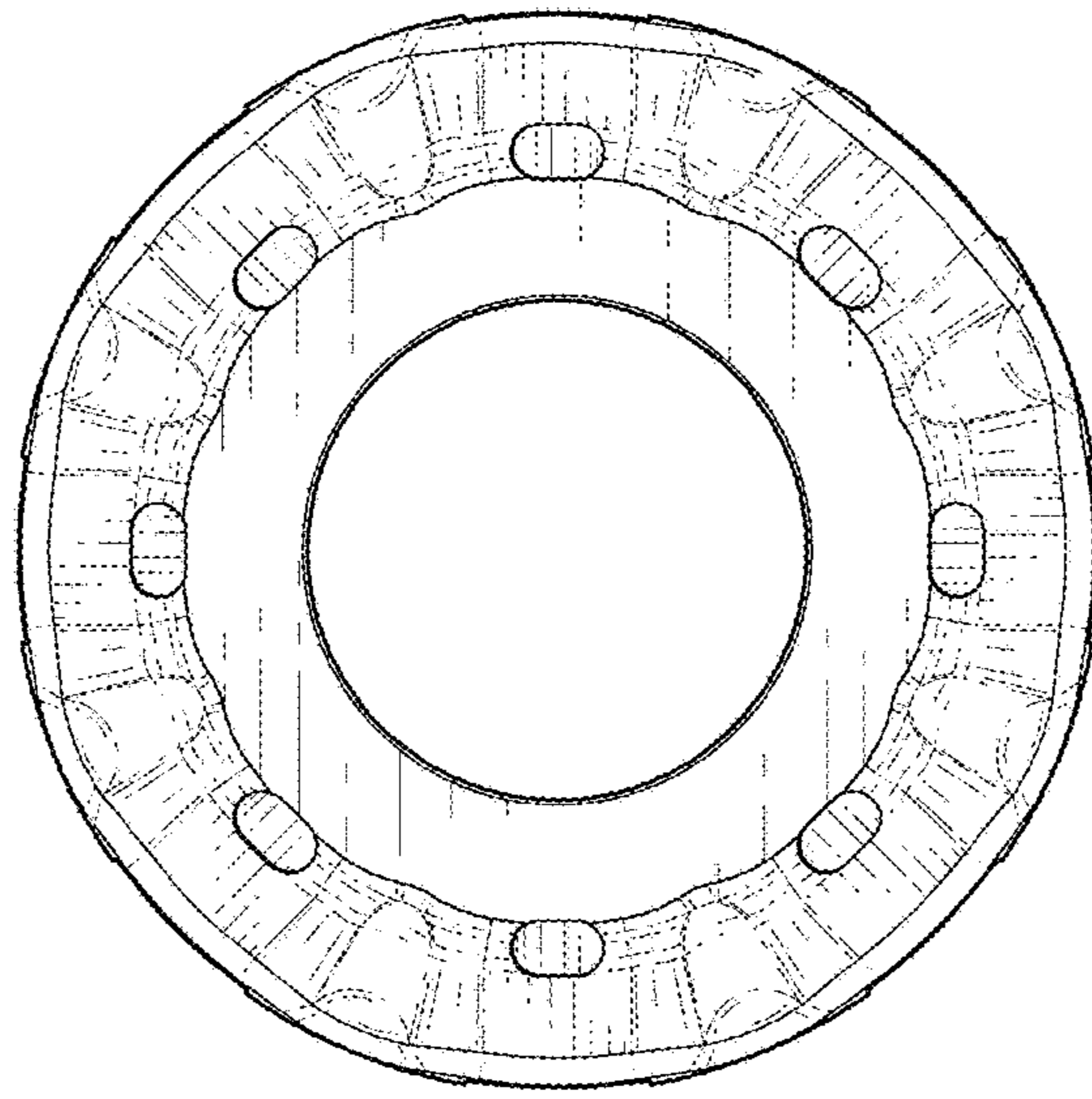


Fig. 21

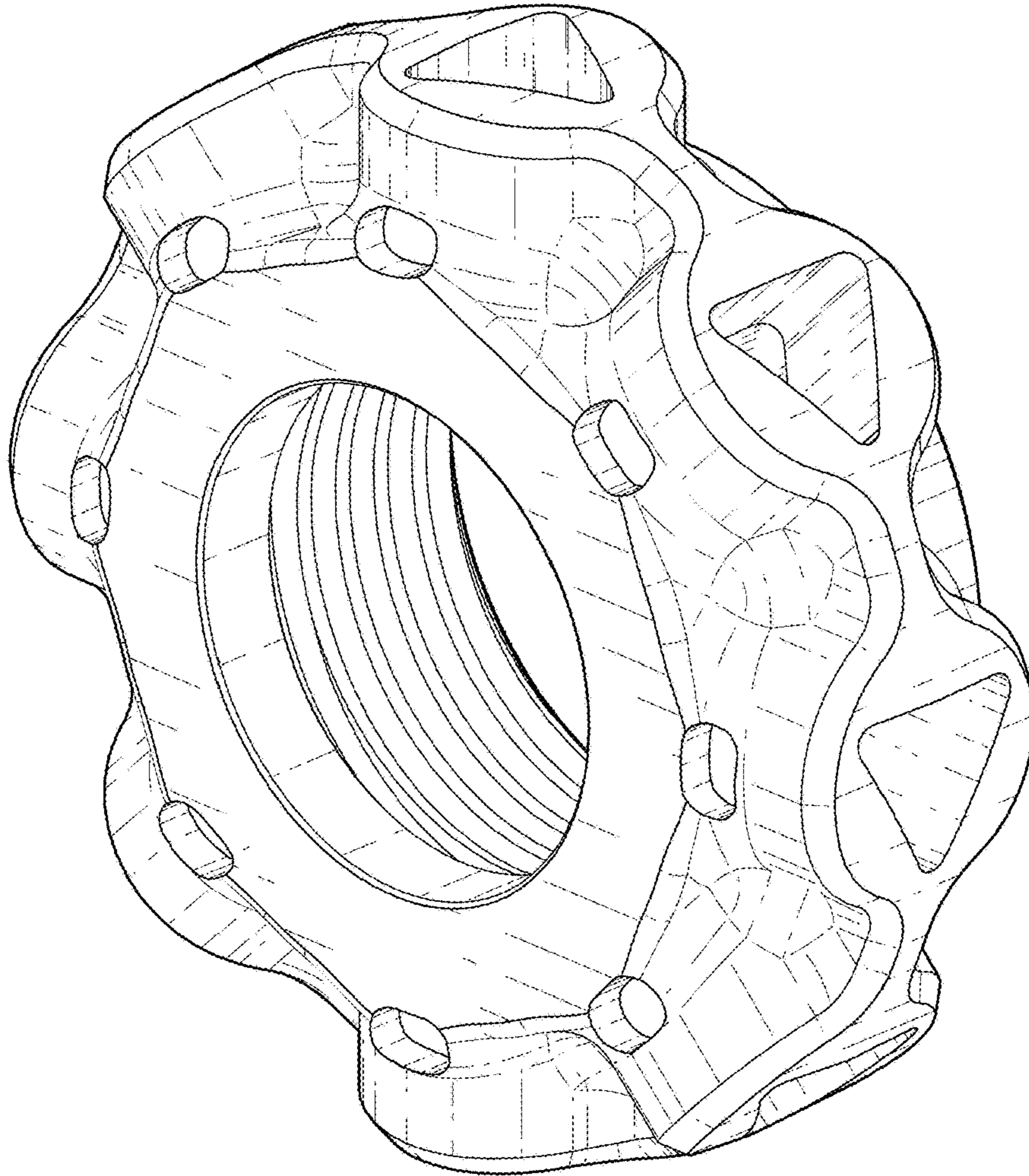


Fig. 25

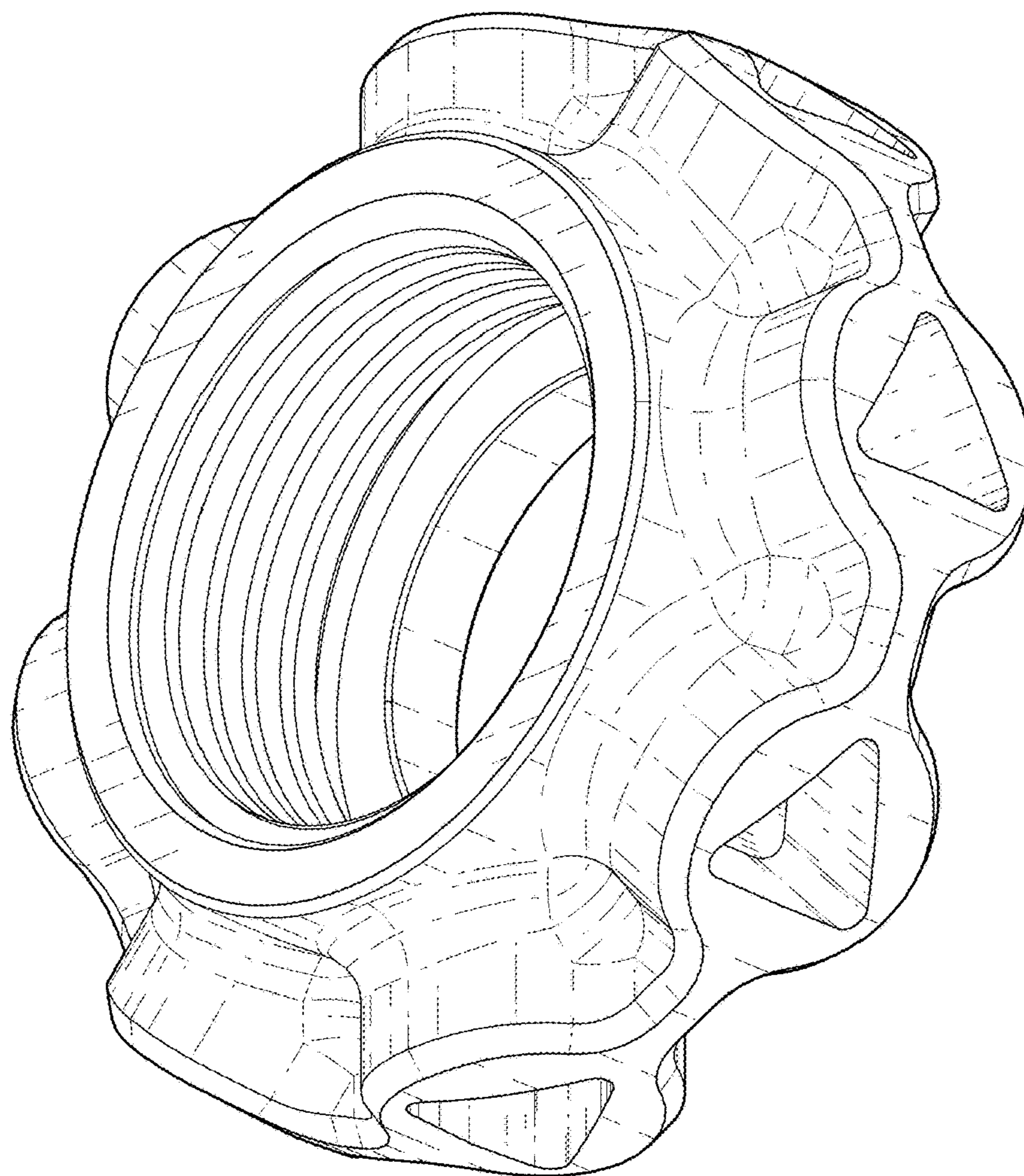


Fig. 26

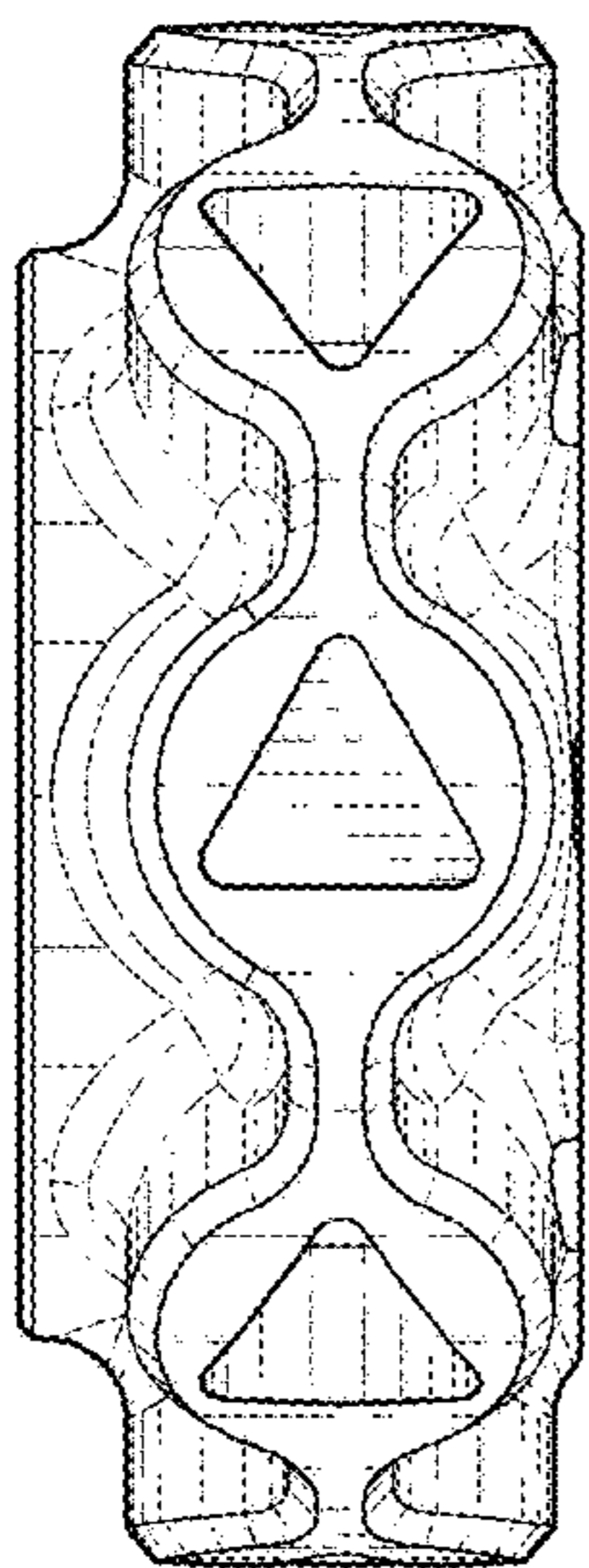


Fig. 29

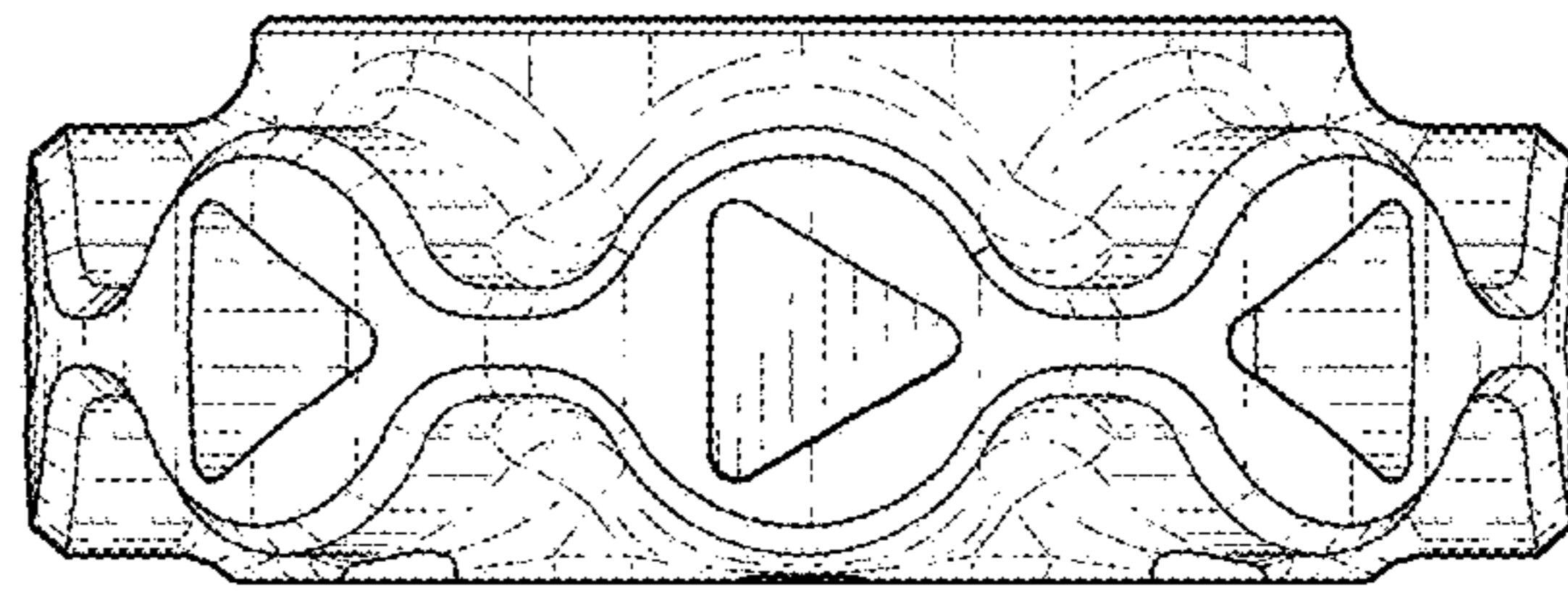


Fig. 28

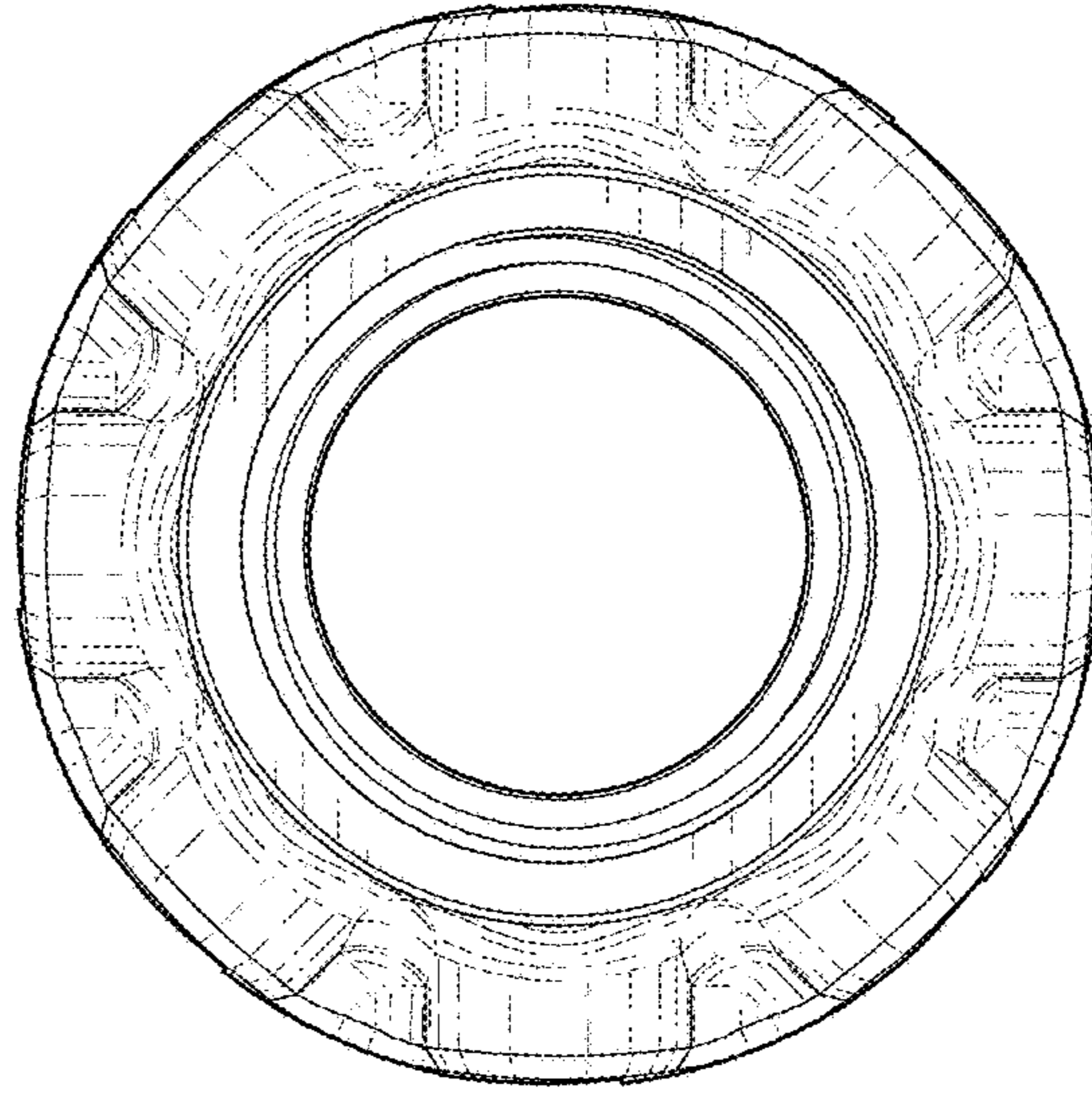


Fig. 30

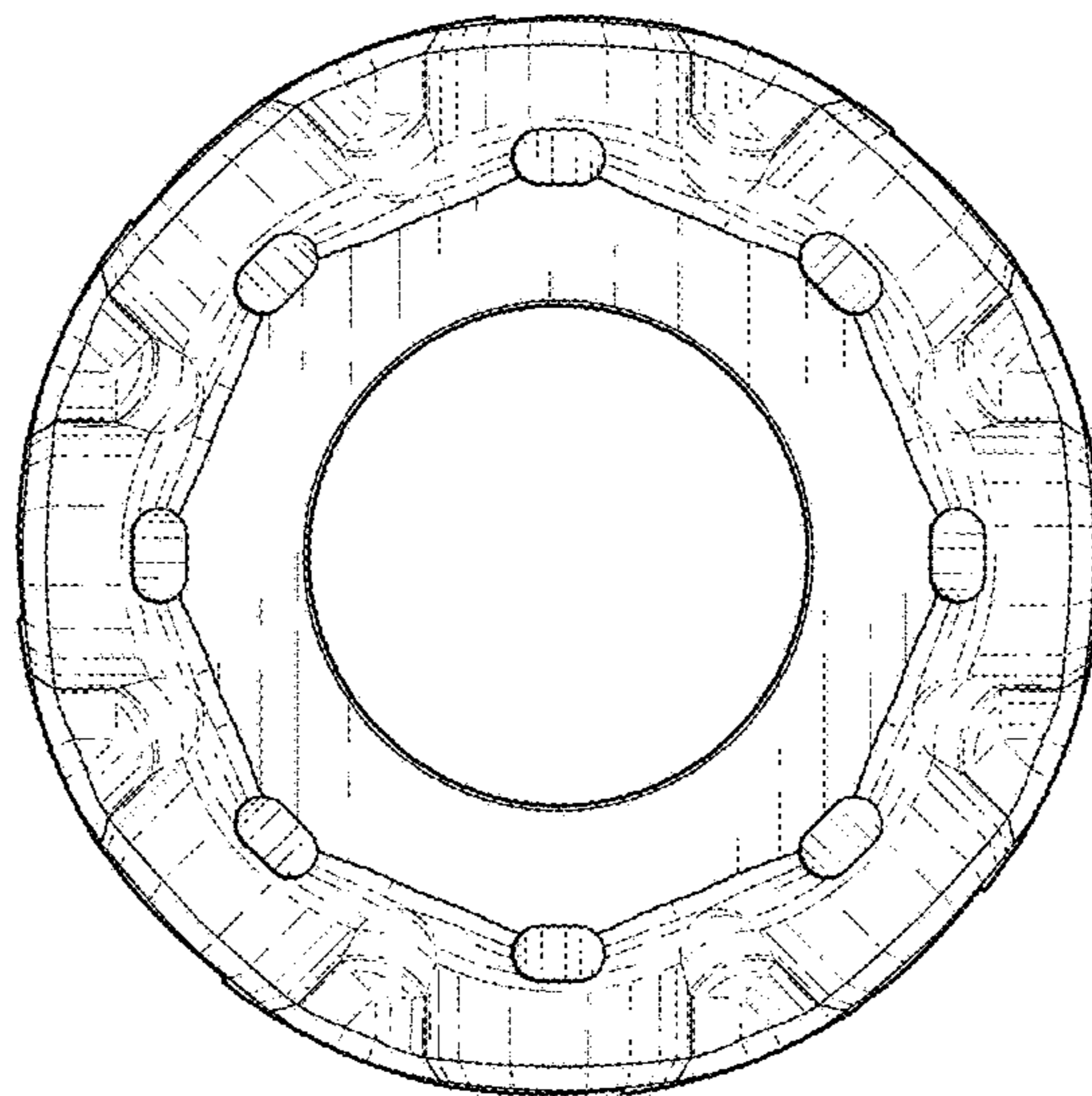


Fig. 27