



US00D846976S

(12) **United States Design Patent**
Williams

(10) **Patent No.:** **US D846,976 S**
(45) **Date of Patent:** **** Apr. 30, 2019**

(54) **SANDWICH PANEL ANCHOR**
(71) Applicant: **Magmatech Ltd**, London (GB)
(72) Inventor: **Benjamin Williams**, London (GB)
(73) Assignee: **Magmatech Ltd**, London (GB)
(**) Term: **15 Years**

(21) Appl. No.: **29/614,747**
(22) Filed: **Aug. 22, 2017**

(30) **Foreign Application Priority Data**

Feb. 24, 2017 (EM) 003764729-0001

(51) **LOC (11) Cl.** **08-08**

(52) **U.S. Cl.**
USPC **D8/384; D8/354**

(58) **Field of Classification Search**
USPC D8/14, 349, 354, 370, 382, 385, 388,
D8/391, 393, 499; D25/102, 133, 199
CPC ... E04C 5/01; E04C 5/012; E04C 5/03; E04C
2002/046; E04C 2002/047; E04C
2002/048; E04C 2/044; B29C 47/0014;
B29C 47/0016; C04B 14/48
See application file for complete search history.

(56) **References Cited**

U.S. PATENT DOCUMENTS

D265,288 S * 7/1982 McLean D8/391
4,805,366 A * 2/1989 Long E04C 2/044
249/213
4,829,733 A * 5/1989 Long E04B 1/80
52/250
D315,495 S * 3/1991 Klemic, Jr. D8/382
5,011,354 A * 4/1991 Brownlee F16B 15/00
411/439
D335,076 S * 4/1993 Shinjo D8/386

D357,855 S * 5/1995 Keith D8/384
5,451,471 A * 9/1995 Over E04C 5/012
106/644
5,519,973 A * 5/1996 Keith B28B 19/003
52/410
5,606,832 A * 3/1997 Keith B28B 19/003
411/439
5,671,574 A * 9/1997 Long E04C 2/044
52/309.11

(Continued)

Primary Examiner — Sandra S Snapp
Assistant Examiner — Ieisha N Price
(74) *Attorney, Agent, or Firm* — Brooks Kushman P.C.

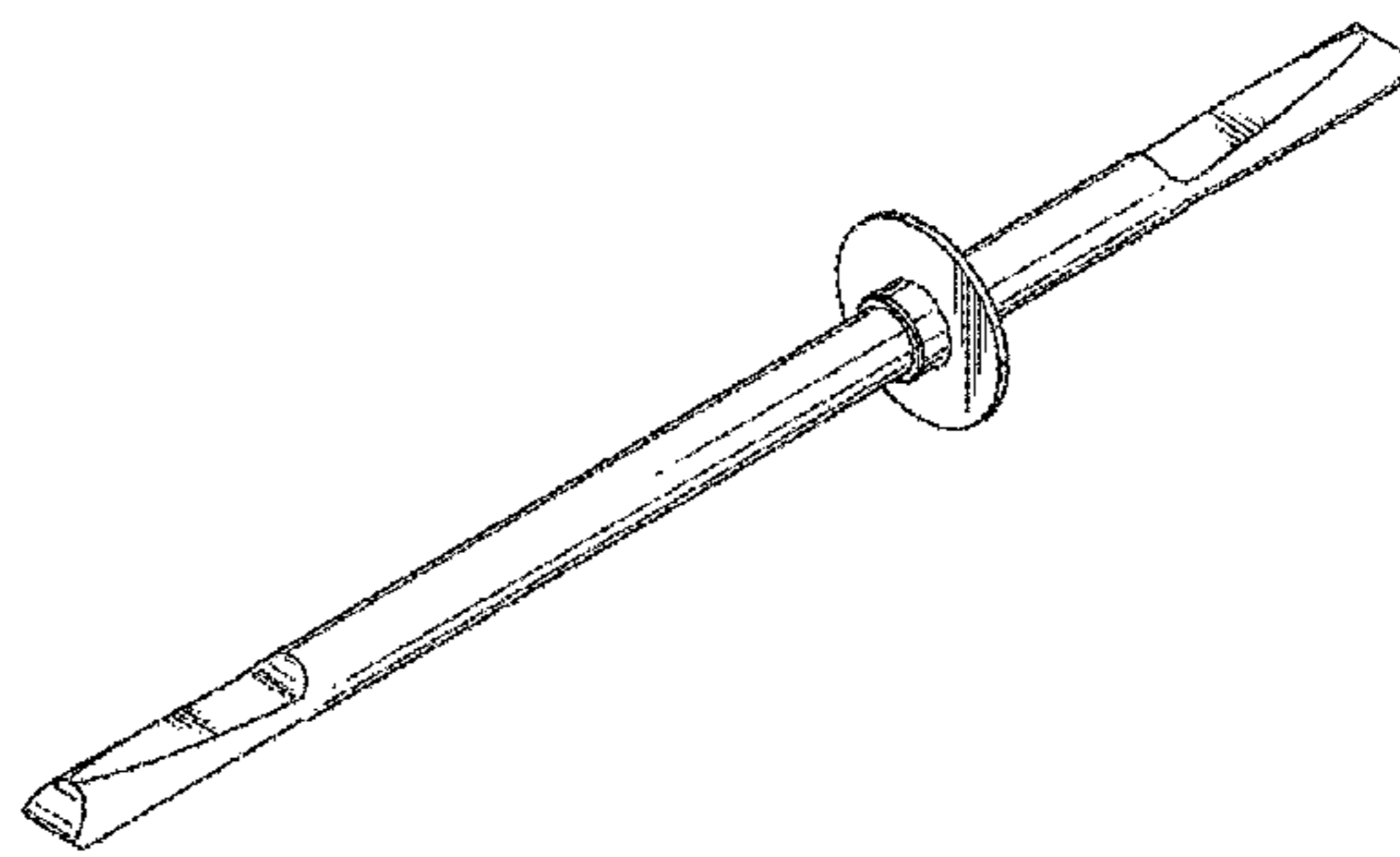
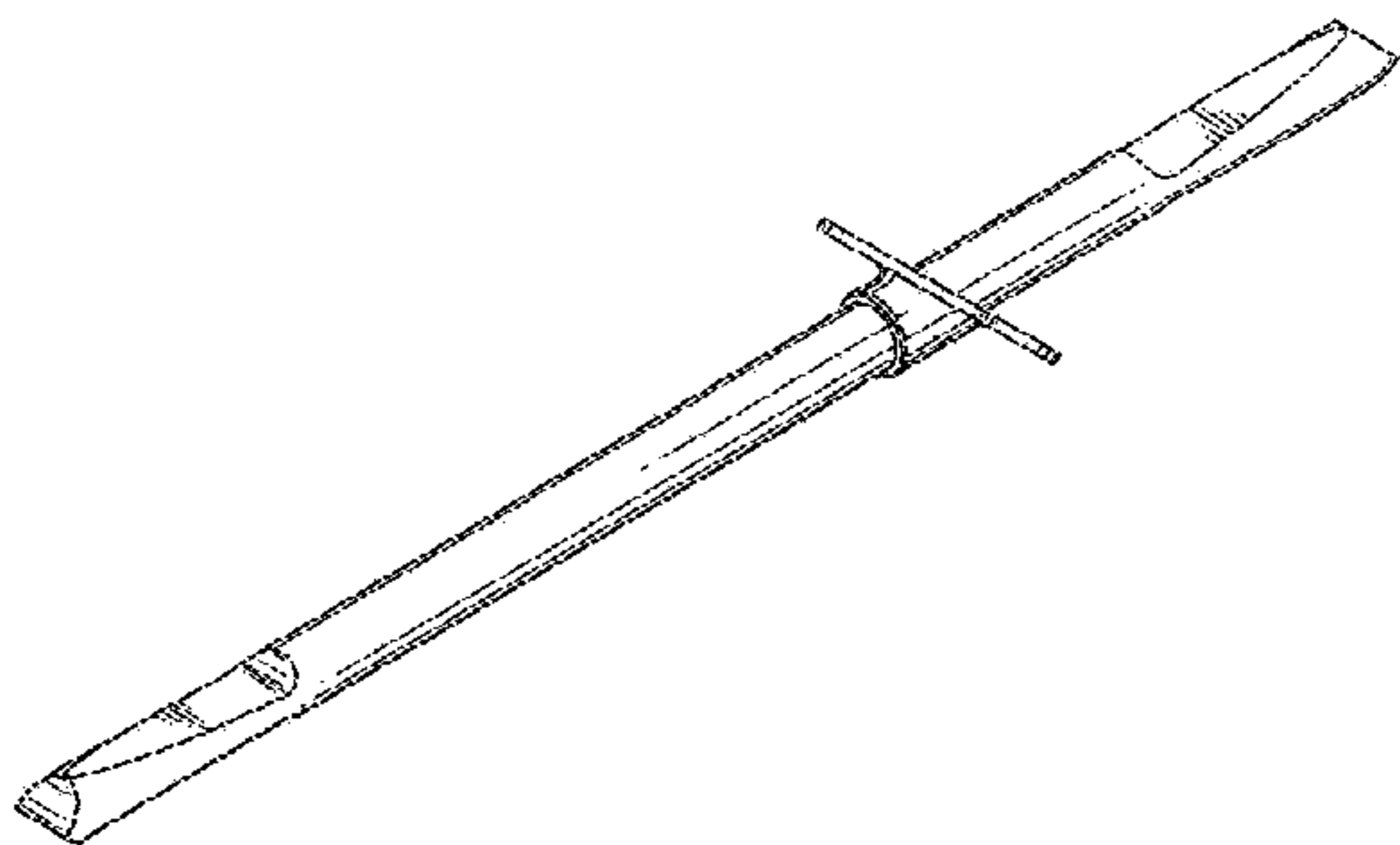
(57) **CLAIM**

The ornamental design for a sandwich panel anchor, as shown and described.

DESCRIPTION

FIG. 1 is a perspective view of a first embodiment of a sandwich panel anchor of this invention;
FIG. 2 is a top plan view of the first embodiment;
FIG. 3 is a bottom plan view of the first embodiment;
FIG. 4 is a right-side elevation view of the first embodiment;
FIG. 5 is a left-side elevation view of the first embodiment;
FIG. 6 is a rear elevation view of the first embodiment;
FIG. 7 is a front elevation view of the first embodiment;
FIG. 8 is a perspective view of a second embodiment of a sandwich panel anchor of this invention;
FIG. 9 is a top plan view of the second embodiment;
FIG. 10 is a bottom plan view of the second embodiment;
FIG. 11 is a right-side elevation view of the second embodiment;
FIG. 12 is a left-side elevation view of the second embodiment;
FIG. 13 is a rear elevation view of the second embodiment;
and,
FIG. 14 is a front elevation view of the second embodiment.

1 Claim, 4 Drawing Sheets



(56)

References Cited

U.S. PATENT DOCUMENTS

5,673,525 A * 10/1997 Keith B28B 19/003
411/487
5,996,297 A * 12/1999 Keith E04C 2/044
411/456
6,116,836 A * 9/2000 Long, Sr. E04C 2/044
411/424
6,511,252 B1 * 1/2003 Andros F16B 15/06
403/283
6,854,229 B2 * 2/2005 Keith E04G 11/18
52/309.12
D564,345 S * 3/2008 Prada D8/391
8,602,703 B1 * 12/2013 Rich F16B 13/061
411/32
D719,798 S * 12/2014 Thompson D8/1
D742,187 S * 11/2015 Thompson D8/1
2005/0016095 A1 * 1/2005 Long, Sr. E04C 2/044
52/309.11
2017/0058520 A1 * 3/2017 Keith E04C 2/2885

* cited by examiner

Fig. 1

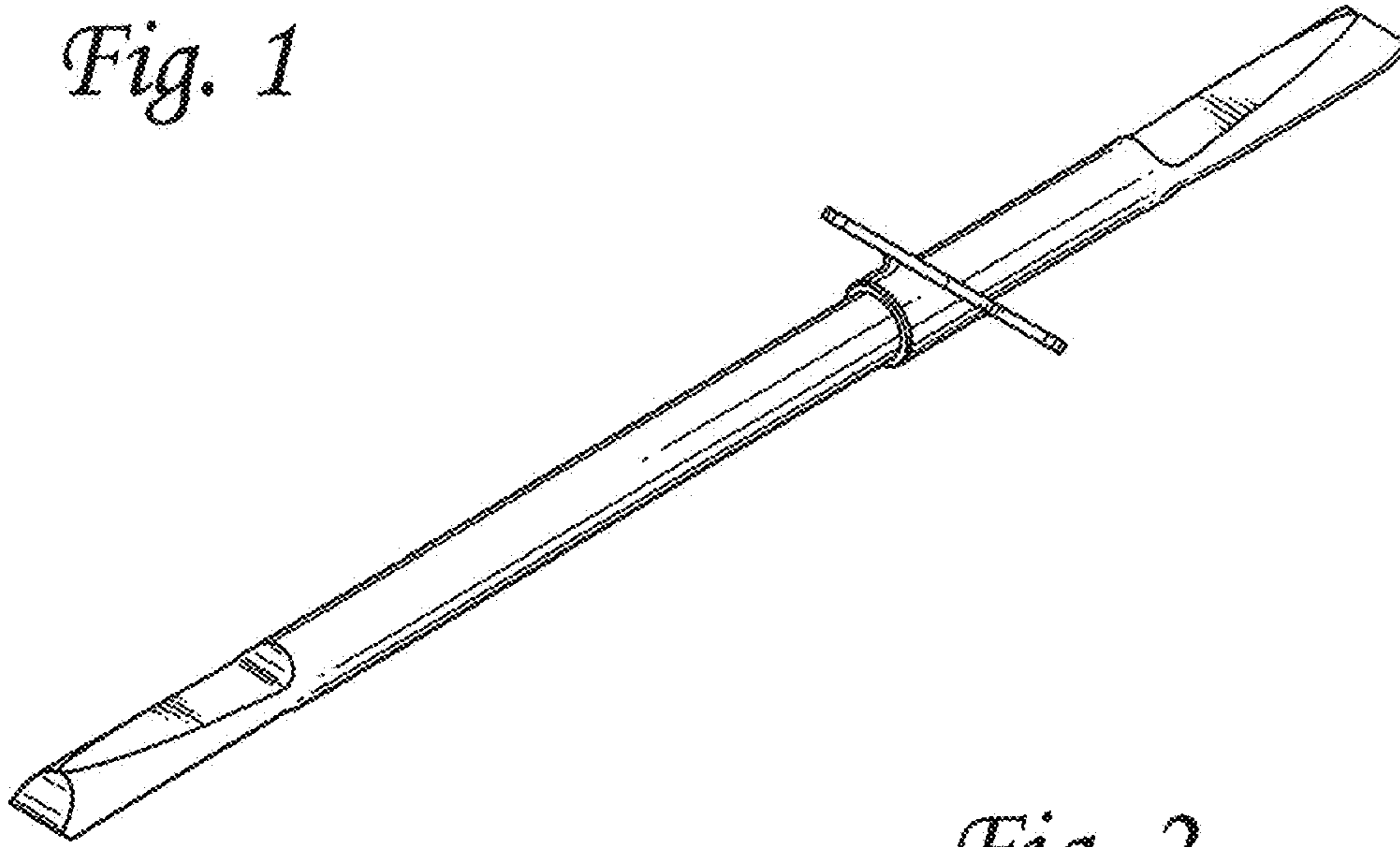


Fig. 2

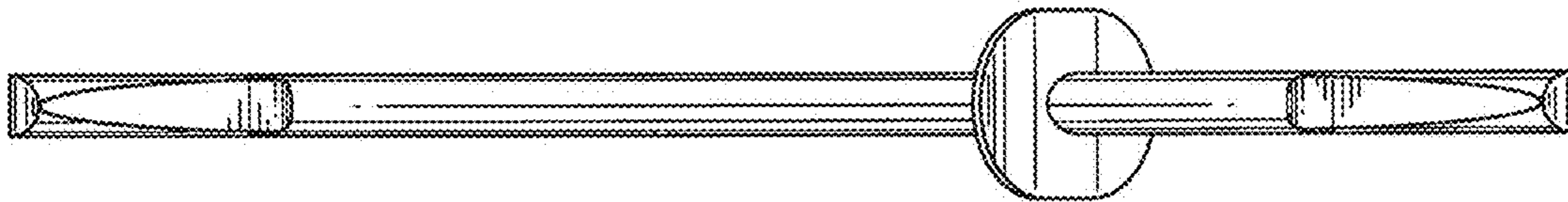


Fig. 3

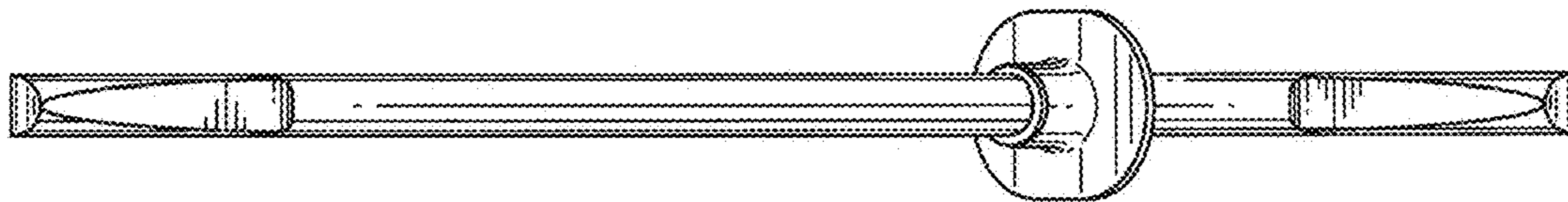


Fig. 4

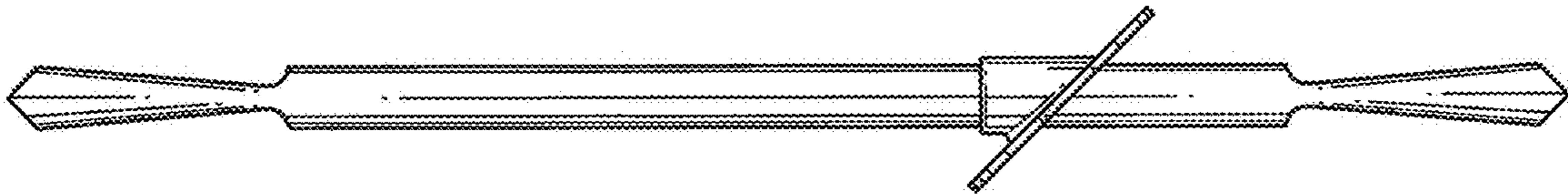


Fig. 5

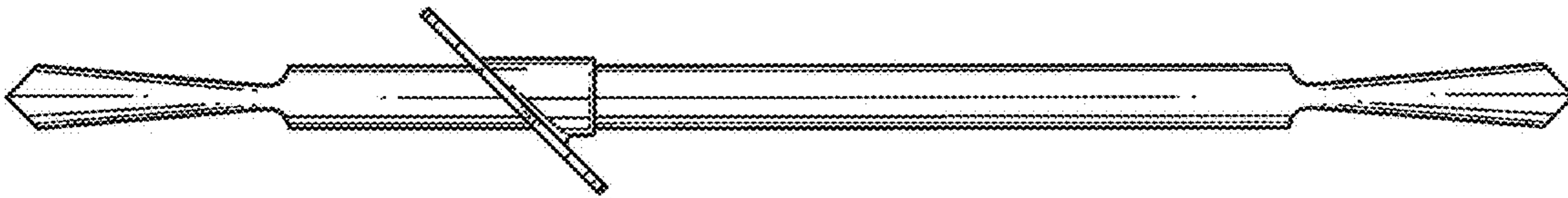


Fig. 6

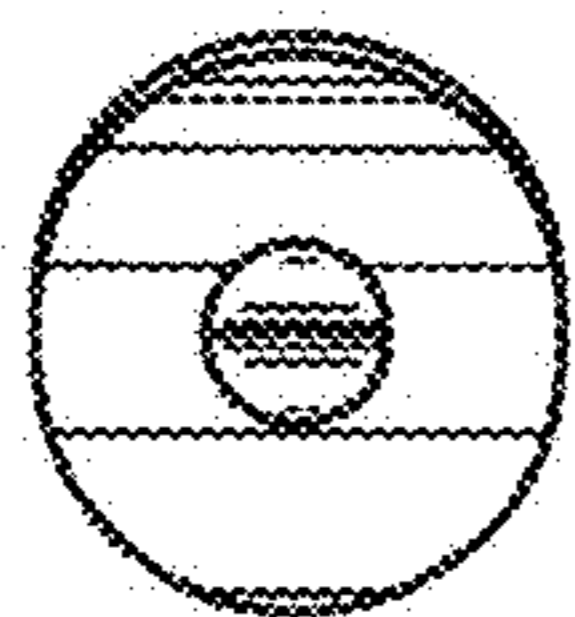


Fig. 7

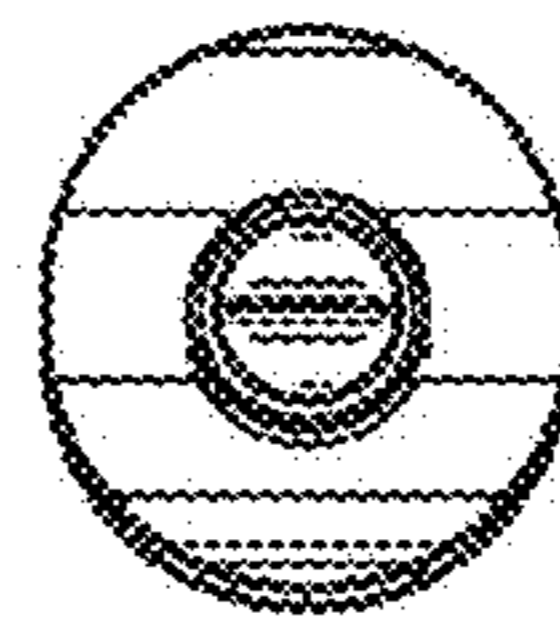


Fig. 8

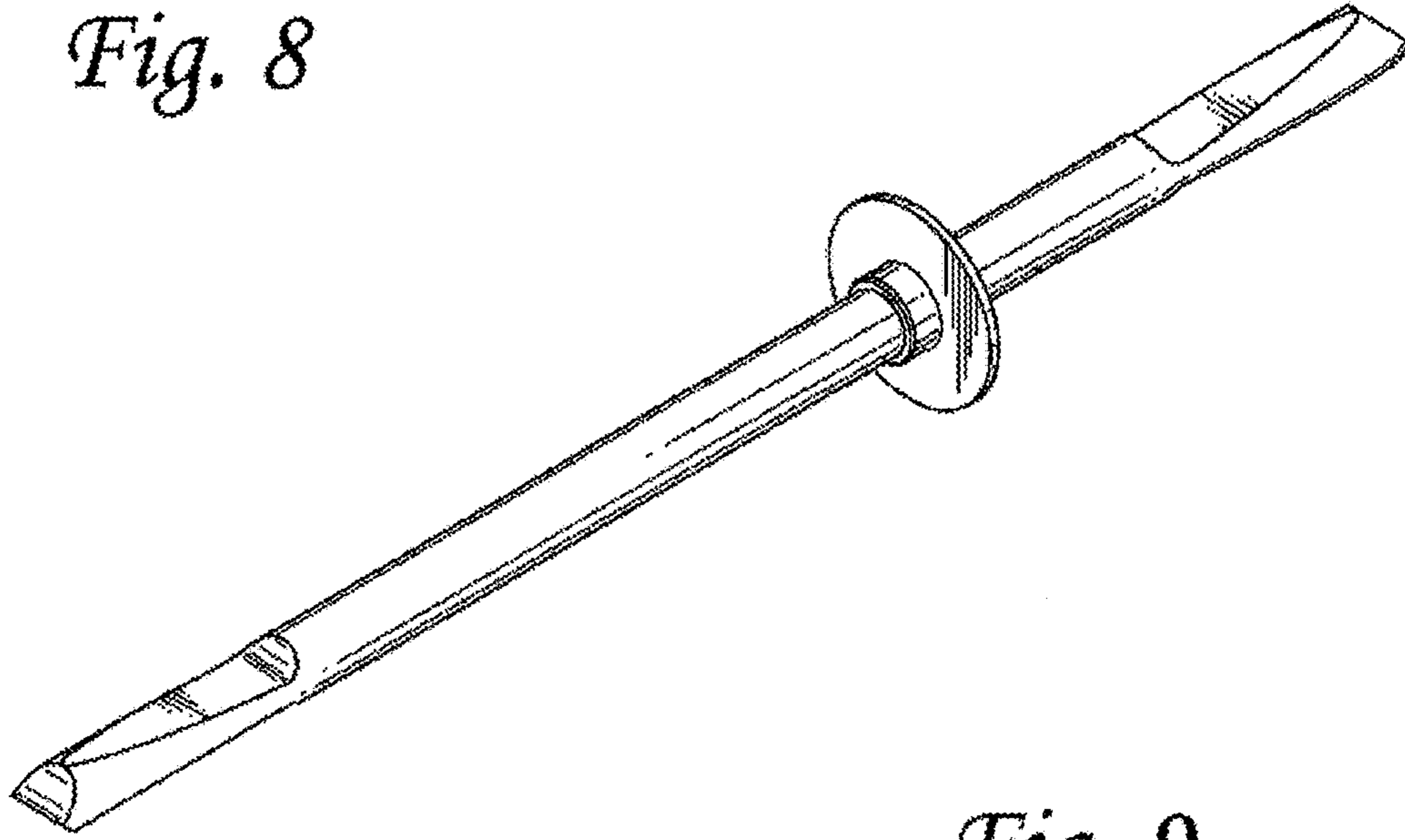


Fig. 9

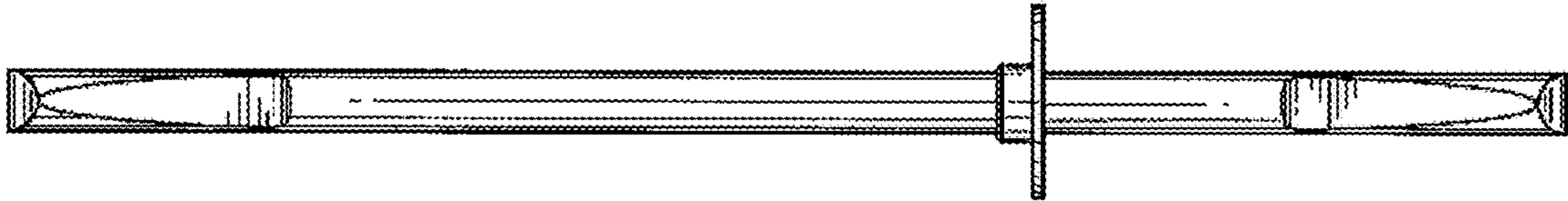


Fig. 10

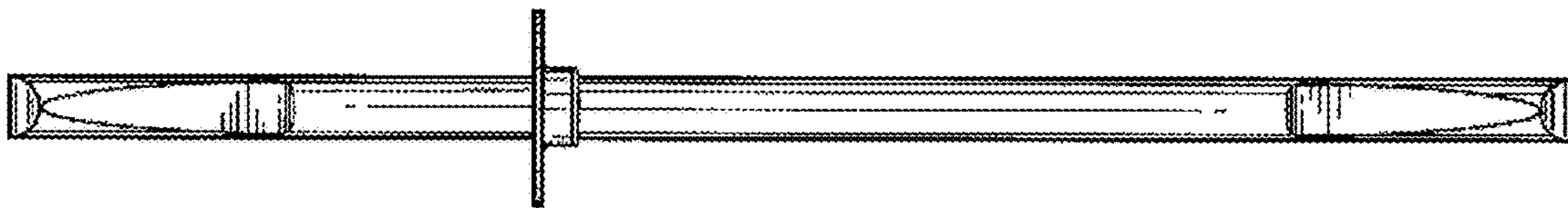


Fig. 11

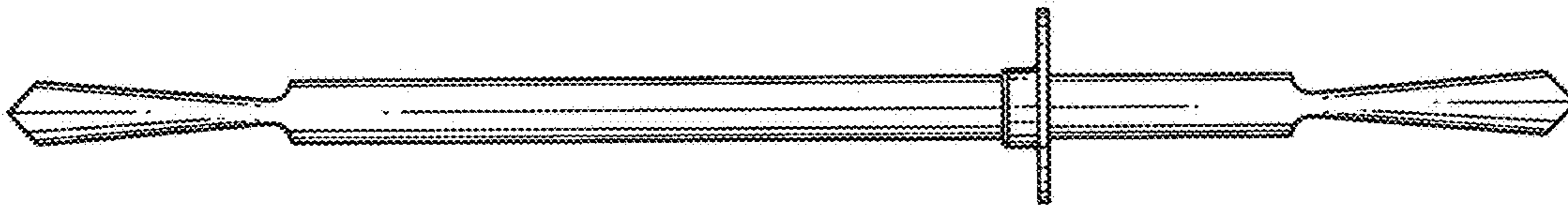


Fig. 12

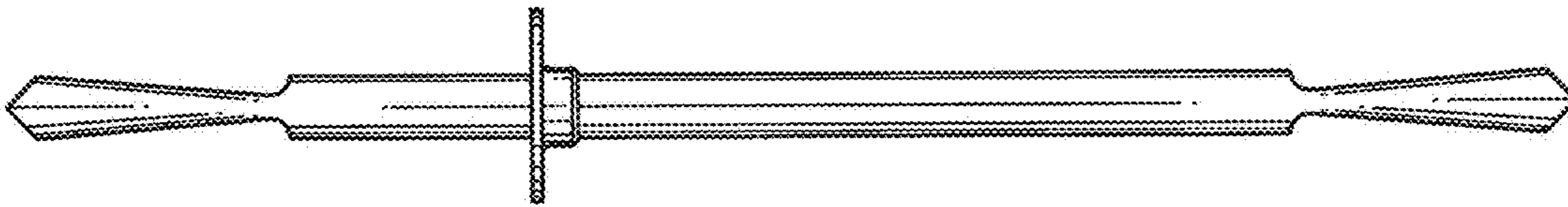


Fig. 13

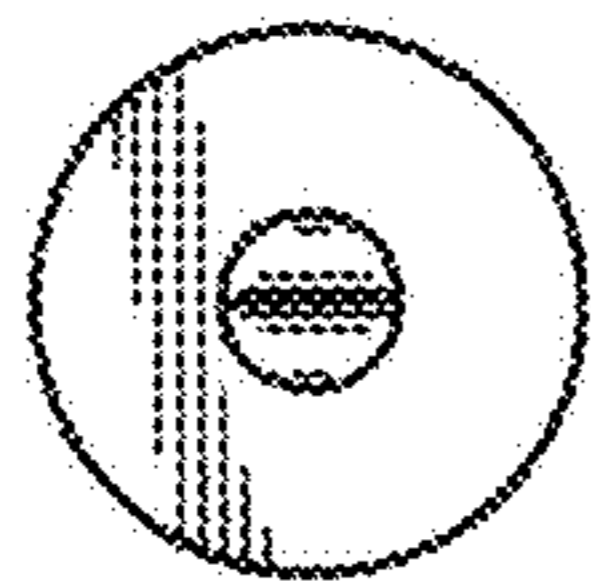


Fig. 14

