



US00D846975S

(12) **United States Design Patent**
Arcot

(10) **Patent No.:** **US D846,975 S**

(45) **Date of Patent:** **** Apr. 30, 2019**

(54) **PIVOT JOINT FOR EXPANDABLE FRAME**

(71) Applicant: **TITAN IP, LLP**, Naperville, IL (US)

(72) Inventor: **Santosh Arcot**, Naperville, IL (US)

(73) Assignee: **TITAN IP, LLP**, Naperville, IL (US)

(**) Term: **15 Years**

(21) Appl. No.: **29/637,805**

(22) Filed: **Feb. 22, 2018**

(51) **LOC (11) Cl.** **08-08**

(52) **U.S. Cl.**
USPC **D8/382**

(58) **Field of Classification Search**
USPC D3/305; D32/36, 37, 58; D34/5, 6, 27;
D6/368; D8/382, 394, 396
CPC D06F 95/002; D06F 95/004; B65B 67/00;
B65B 67/1255; B65B 67/12; B65B
67/1205; B65B 67/1227; B62B 3/106;
B62B 2205/06; B62B 7/06; B62B 7/062;
A47B 31/04; F16B 7/04; F16B 7/044;
F16B 7/046

See application file for complete search history.

(56) **References Cited**

U.S. PATENT DOCUMENTS

D86,005 S *	1/1932	Astrup	D25/57
D213,131 S *	1/1969	Hamilton	D32/37
3,754,786 A *	8/1973	Boucher	A47D 13/043
				16/250
D287,083 S *	12/1986	Macedonio	D6/368
4,637,748 A *	1/1987	Beavers	E04B 1/1903
				135/147
4,705,247 A *	11/1987	Delmerico	A47B 31/04
				248/98
D321,071 S *	10/1991	Dickinson	D34/17
D355,737 S *	2/1995	Breen	D32/58
5,447,319 A *	9/1995	Huang	A47D 13/043
				108/120

D375,451 S *	11/1996	Ohkubo	D8/323
D507,904 S *	8/2005	Werschmidt	D8/382
D554,770 S *	11/2007	Pena	D25/61
D619,316 S *	7/2010	Yang	D32/37
7,972,077 B2 *	7/2011	Kim	E04F 11/1844
				403/174
D706,049 S *	6/2014	Yang	D6/368
D737,532 S *	8/2015	Oh	D32/58
10,106,185 B2 *	10/2018	Plested	B62B 7/068
2010/0171342 A1 *	7/2010	Chen	A47C 4/283
				297/45
2014/0265186 A1 *	9/2014	Witzel	B62B 1/008
				280/35
2017/0217470 A1 *	8/2017	Popp	B62B 7/004

* cited by examiner

Primary Examiner — Sandra S Snapp

Assistant Examiner — Ieisha N Price

(74) *Attorney, Agent, or Firm* — McDonnell Boehnen;
Hulbert & Berghoff LLP

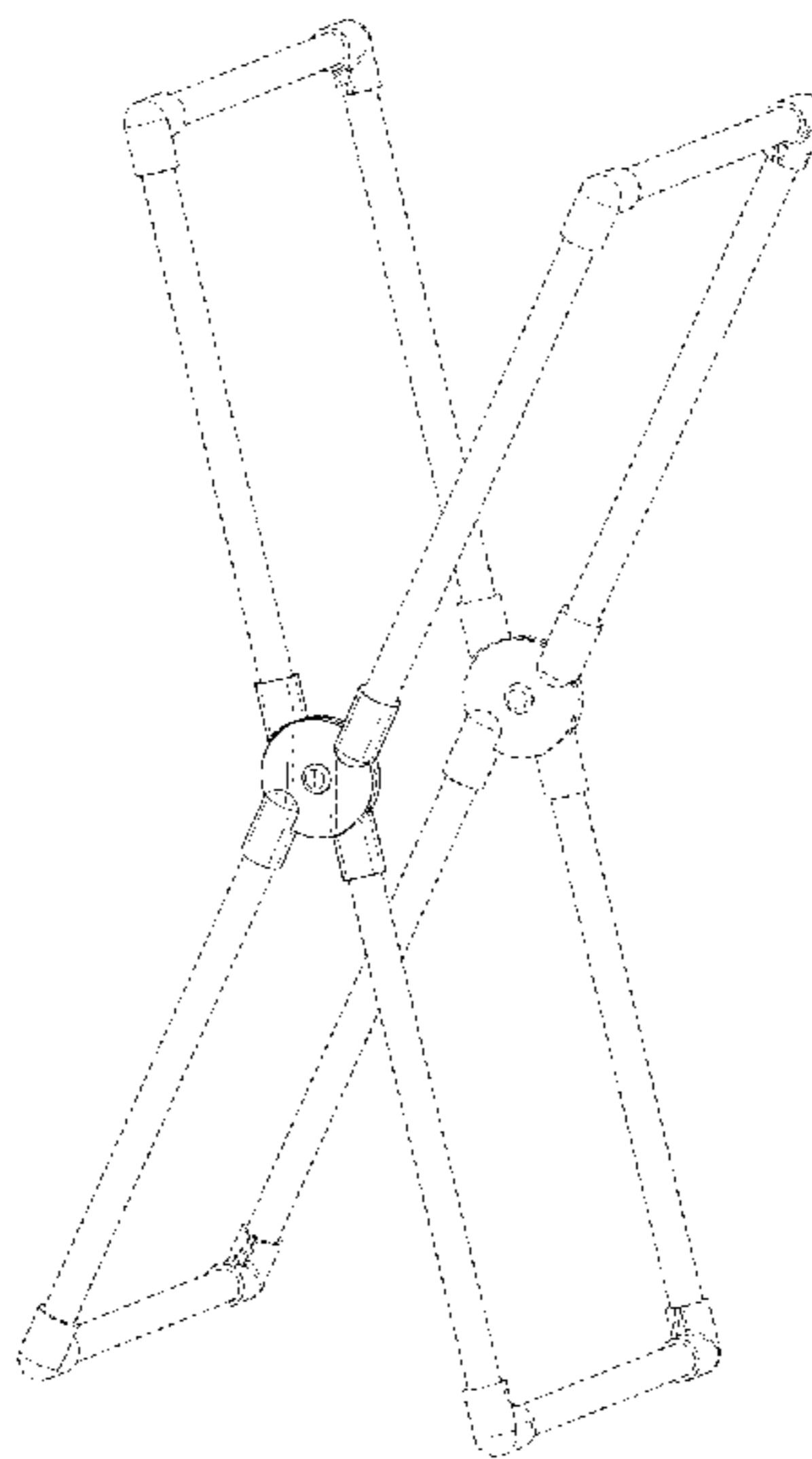
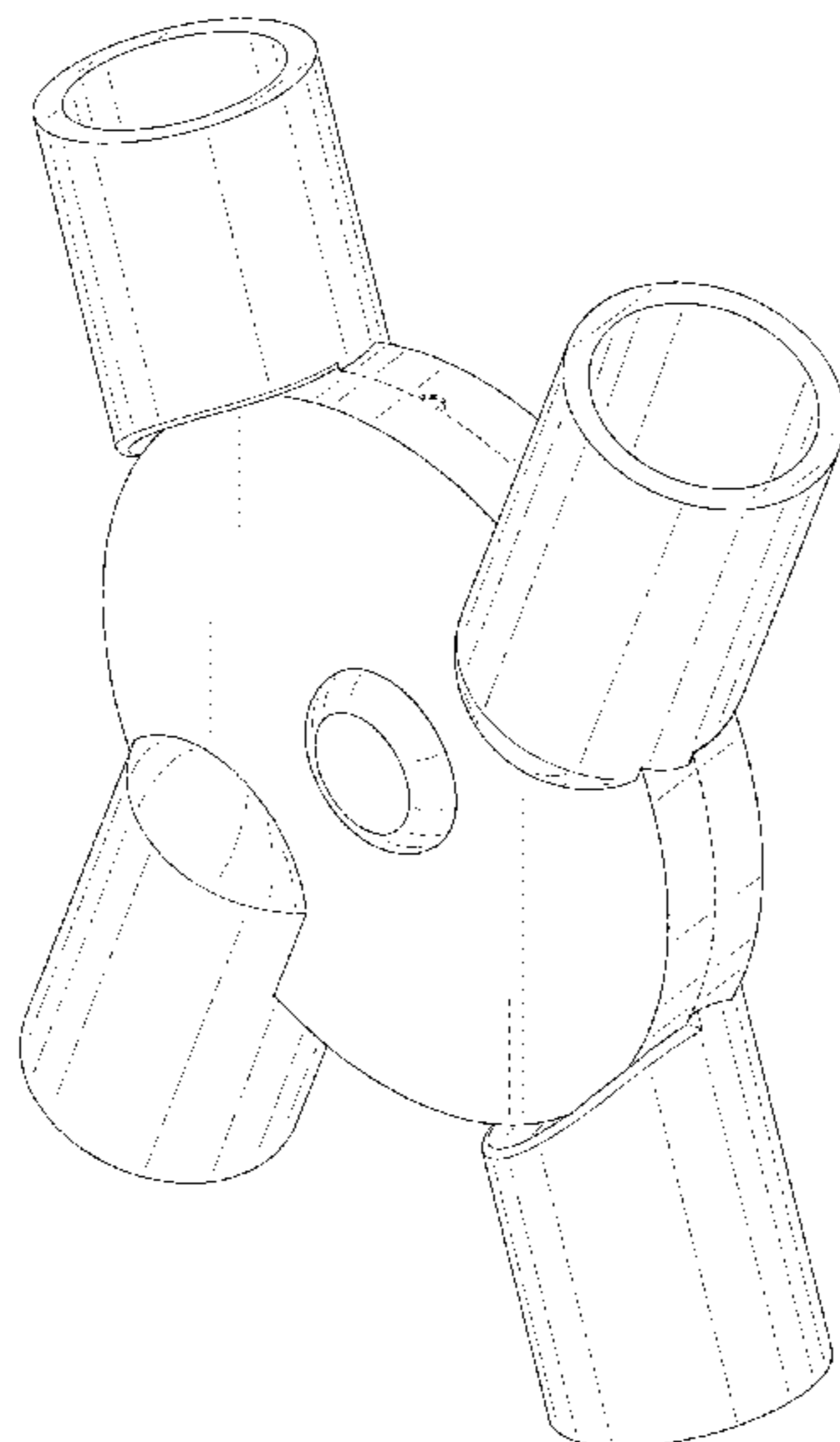
(57) **CLAIM**

The ornamental design for a pivot joint for expandable frame, as shown and described.

DESCRIPTION

FIG. 1 is a pivot joint for expandable frame in a perspective view;
FIG. 2 is a front view thereof, with the rear view being identical;
FIG. 3 is a right side view thereof, with the left side view being identical;
FIG. 4 is a top view thereof;
FIG. 5 is a bottom view thereof; and,
FIG. 6 is a perspective view showing the pivot joint for expandable frame positioned on a frame.
The broken lines are included for the purpose of illustrating portions of the pivot joint for expandable frame that form no part of the claimed design.

1 Claim, 5 Drawing Sheets



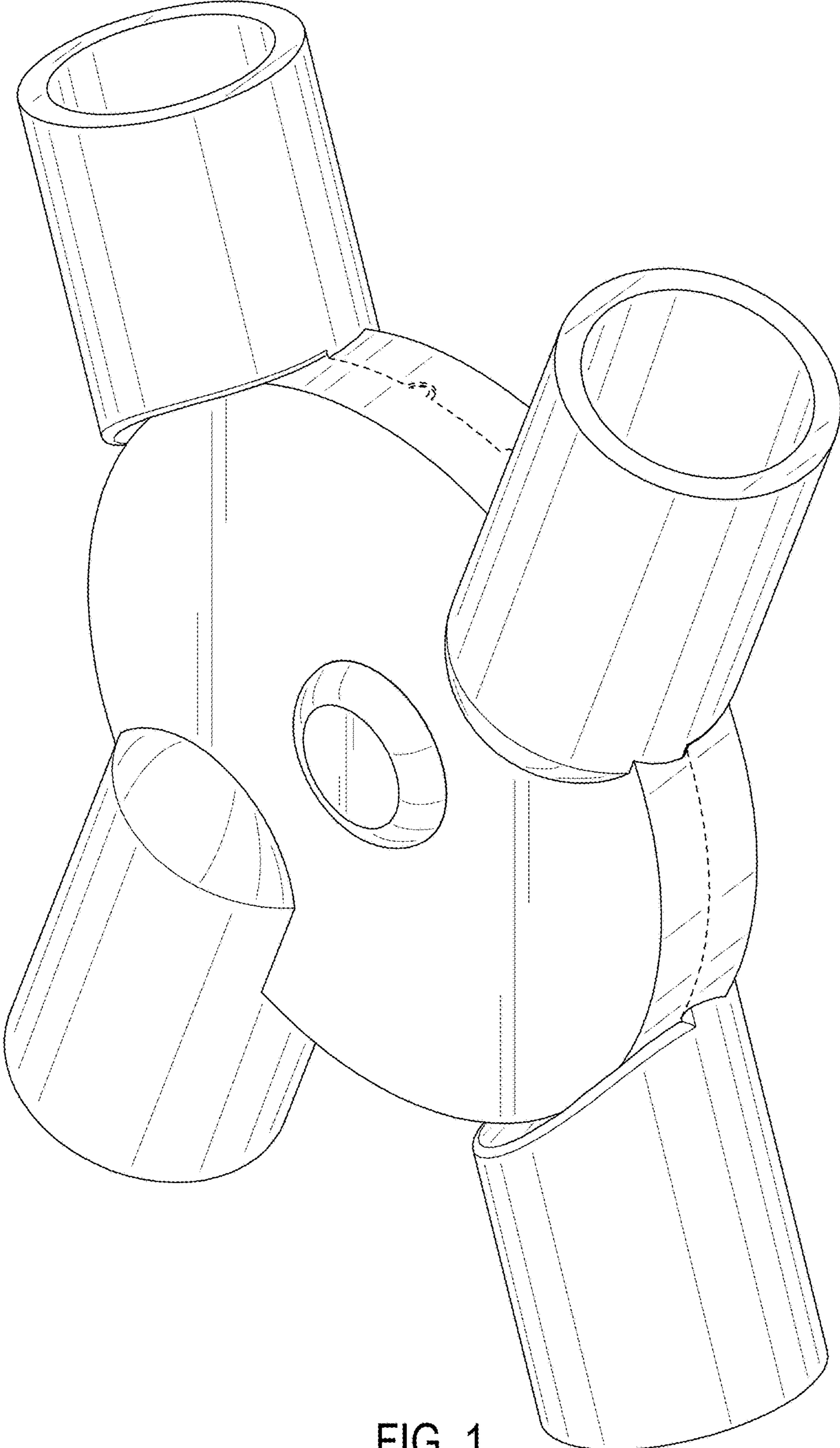


FIG. 1

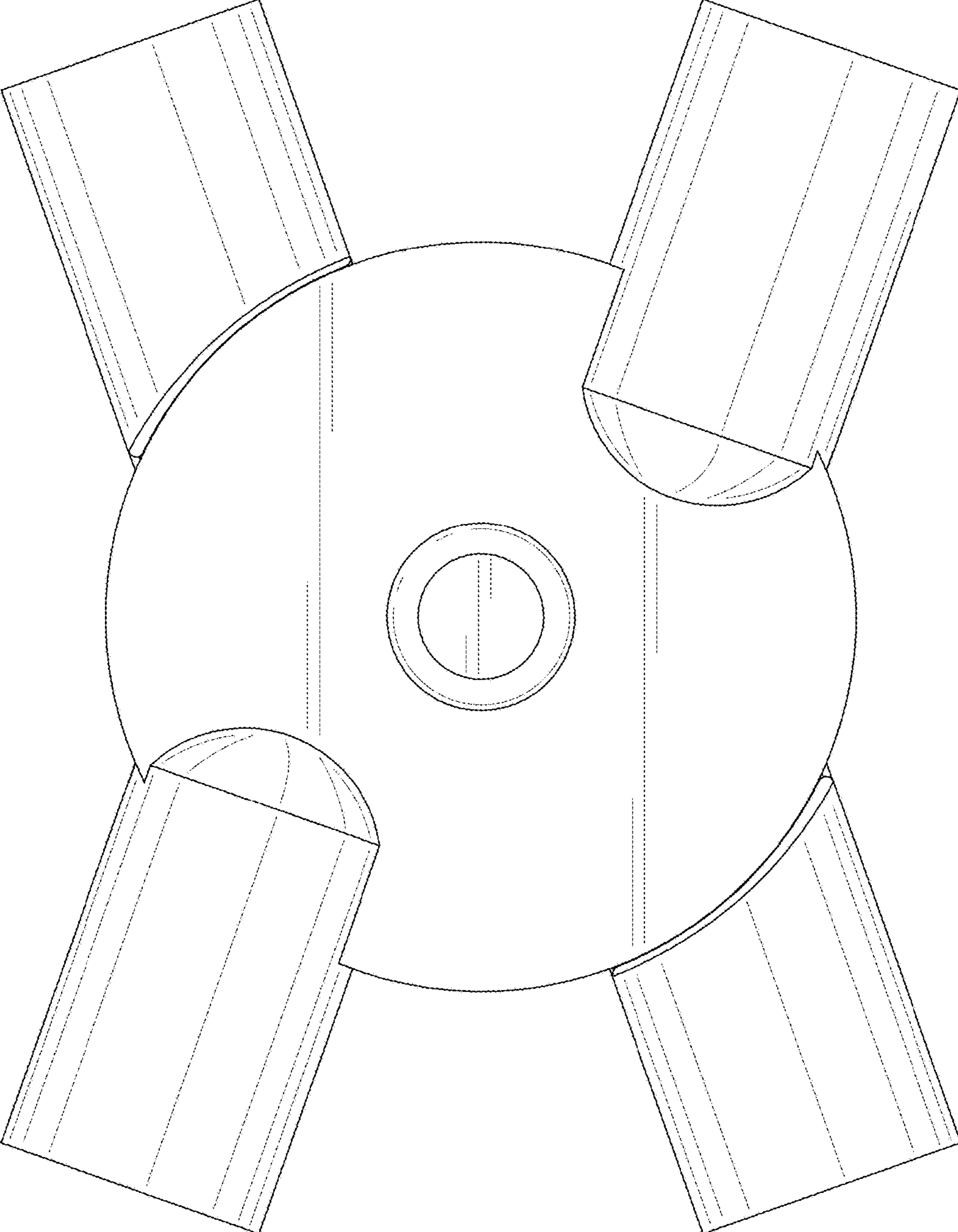


FIG. 2

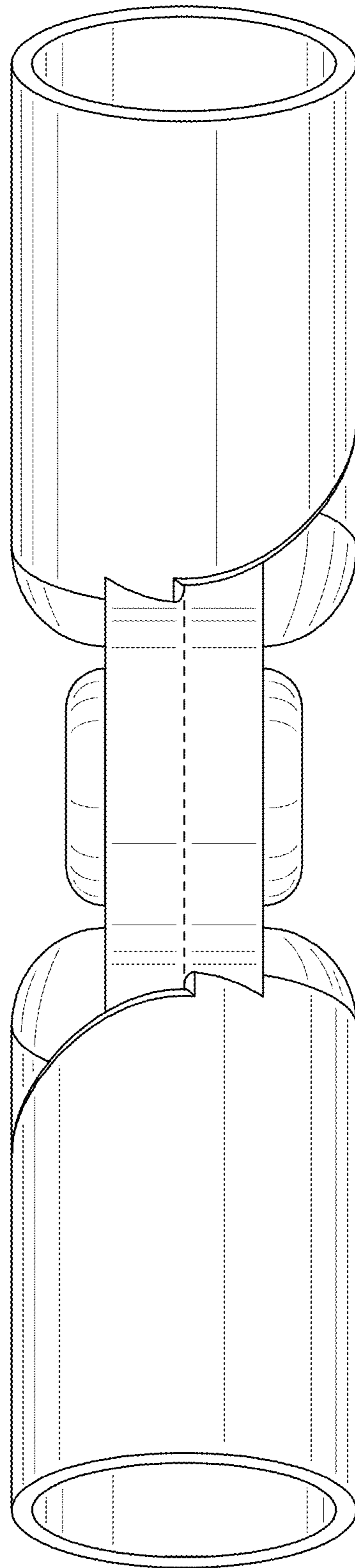


FIG. 3

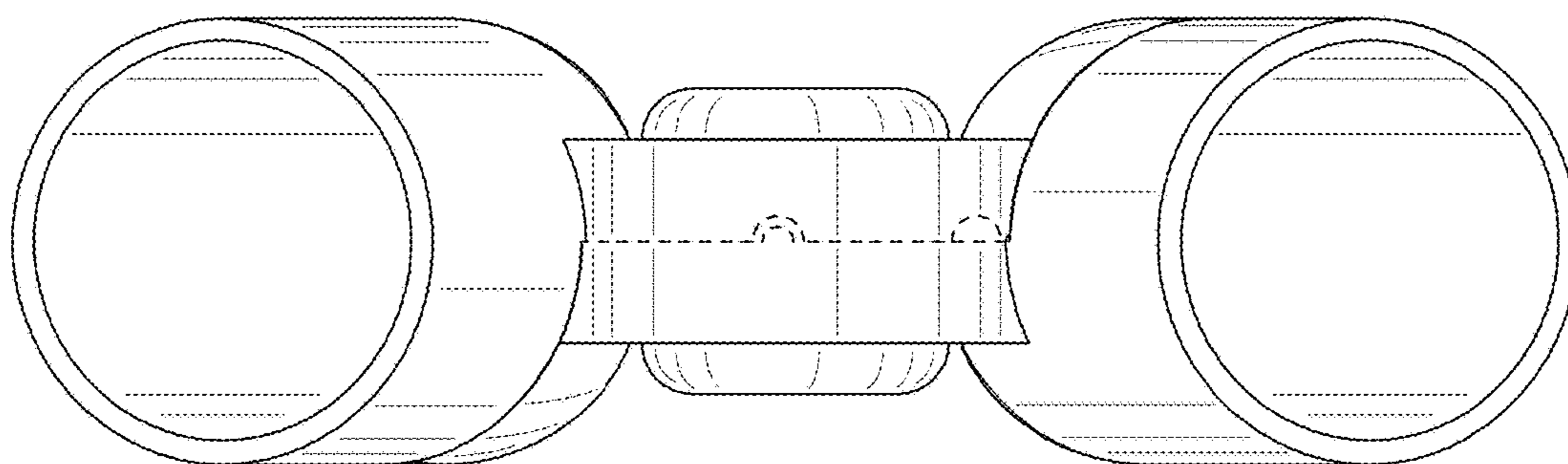


FIG. 4

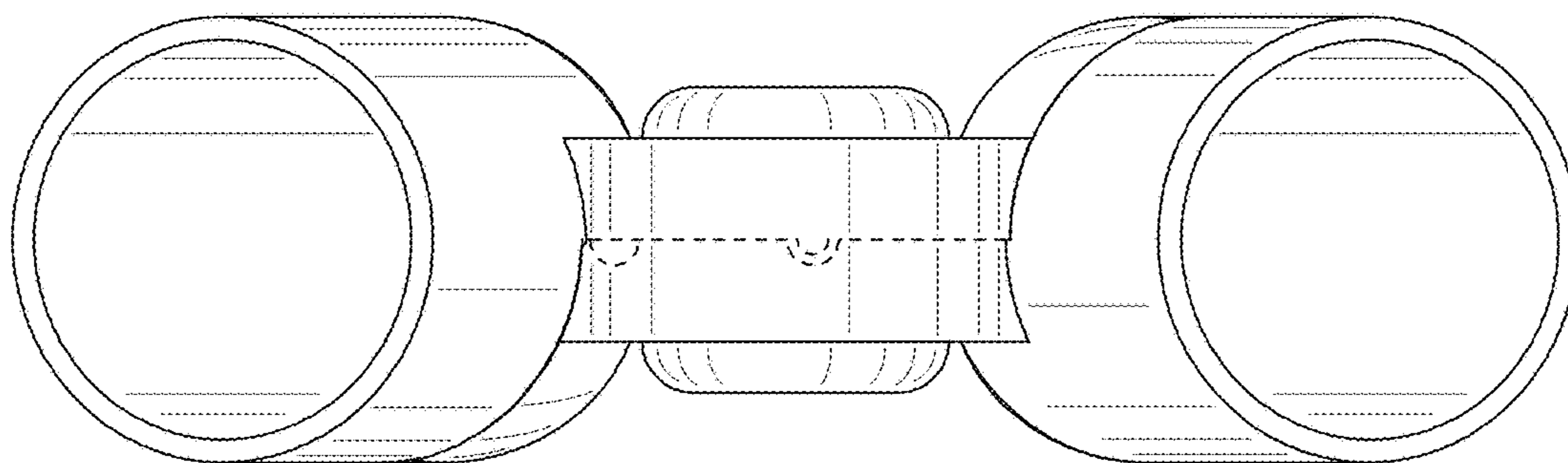


FIG. 5

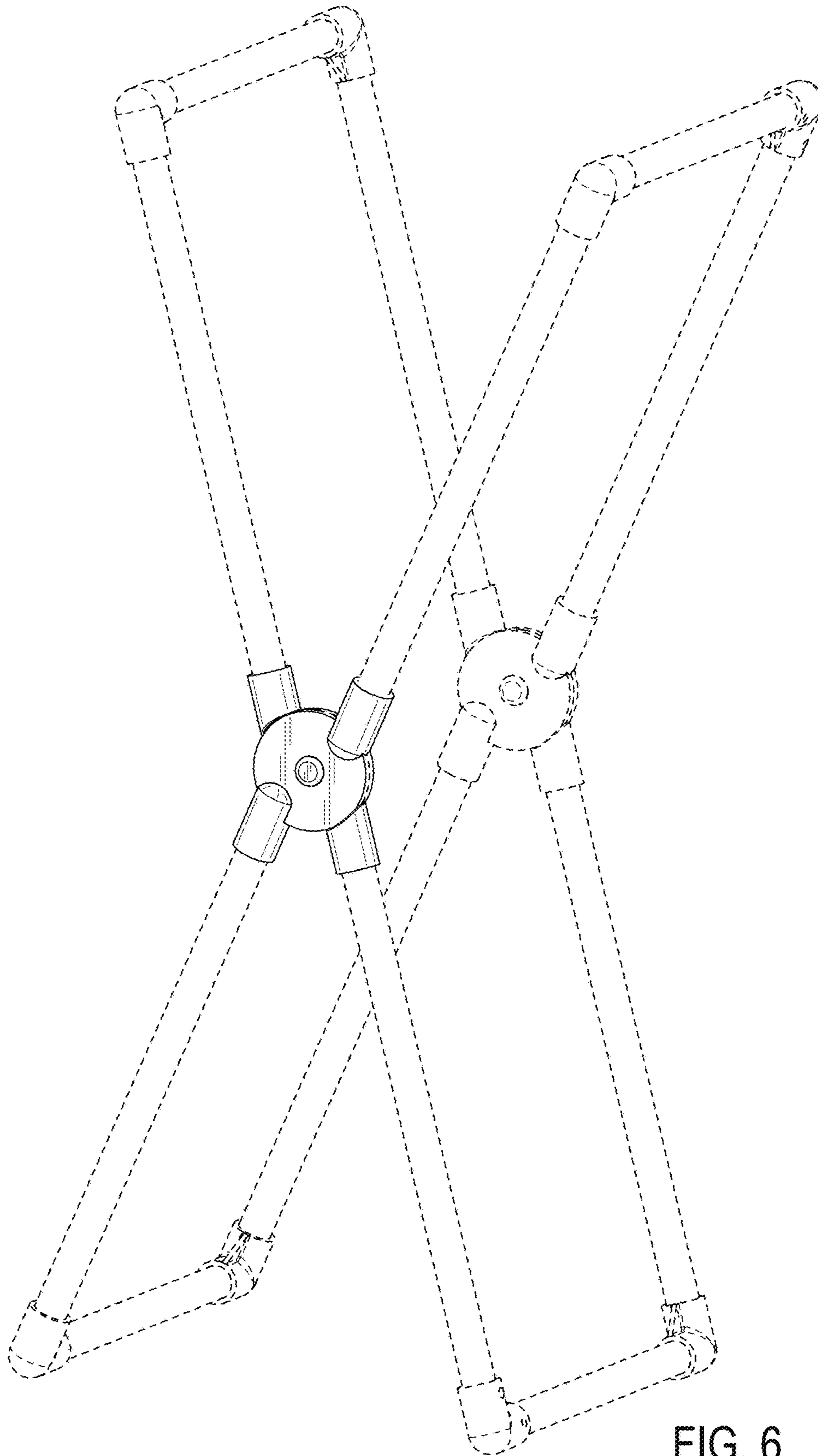


FIG. 6