



US00D846974S

(12) **United States Design Patent**
Rehhahn

(10) **Patent No.:** **US D846,974 S**

(45) **Date of Patent:** **** *Apr. 30, 2019**

(54) **SHEET PILE**

(71) Applicant: **Jens Rehhahn**, Zeischa (DE)

(72) Inventor: **Jens Rehhahn**, Zeischa (DE)

(*) Notice: This patent is subject to a terminal disclaimer.

(**) Term: **15 Years**

(21) Appl. No.: **29/629,181**

(22) Filed: **Dec. 12, 2017**

(30) **Foreign Application Priority Data**

Jun. 12, 2017 (EM) 004043024

(51) **LOC (11) Cl.** **08-08**

(52) **U.S. Cl.**
USPC **D8/382**

(58) **Field of Classification Search**
USPC D8/367, 382, 394, 395; D25/119
CPC E02D 5/02; E02D 5/04; E02D 5/06; E02D
5/08; E02D 5/12; Y10T 403/73
See application file for complete search history.

(56) **References Cited**

U.S. PATENT DOCUMENTS

1,770,652 A * 7/1930 Meiser E02D 5/04
405/277
1,771,224 A * 7/1930 Kohler E02D 5/04
405/277

1,835,367 A * 12/1931 Becker E02D 5/04
405/277
1,835,417 A * 12/1931 Mauterer E02D 5/04
405/277
1,841,779 A * 1/1932 Becker E02D 5/04
405/279
D621,245 S * 8/2010 Heindl D8/382
D621,246 S * 8/2010 Heindl D8/382
D808,782 S * 1/2018 Heindl D8/382
D808,783 S * 1/2018 Heindl D8/382

* cited by examiner

Primary Examiner — Sandra S Snapp

Assistant Examiner — Ieisha N Price

(74) *Attorney, Agent, or Firm* — 24IP Law Group;
Timothy R DeWitt

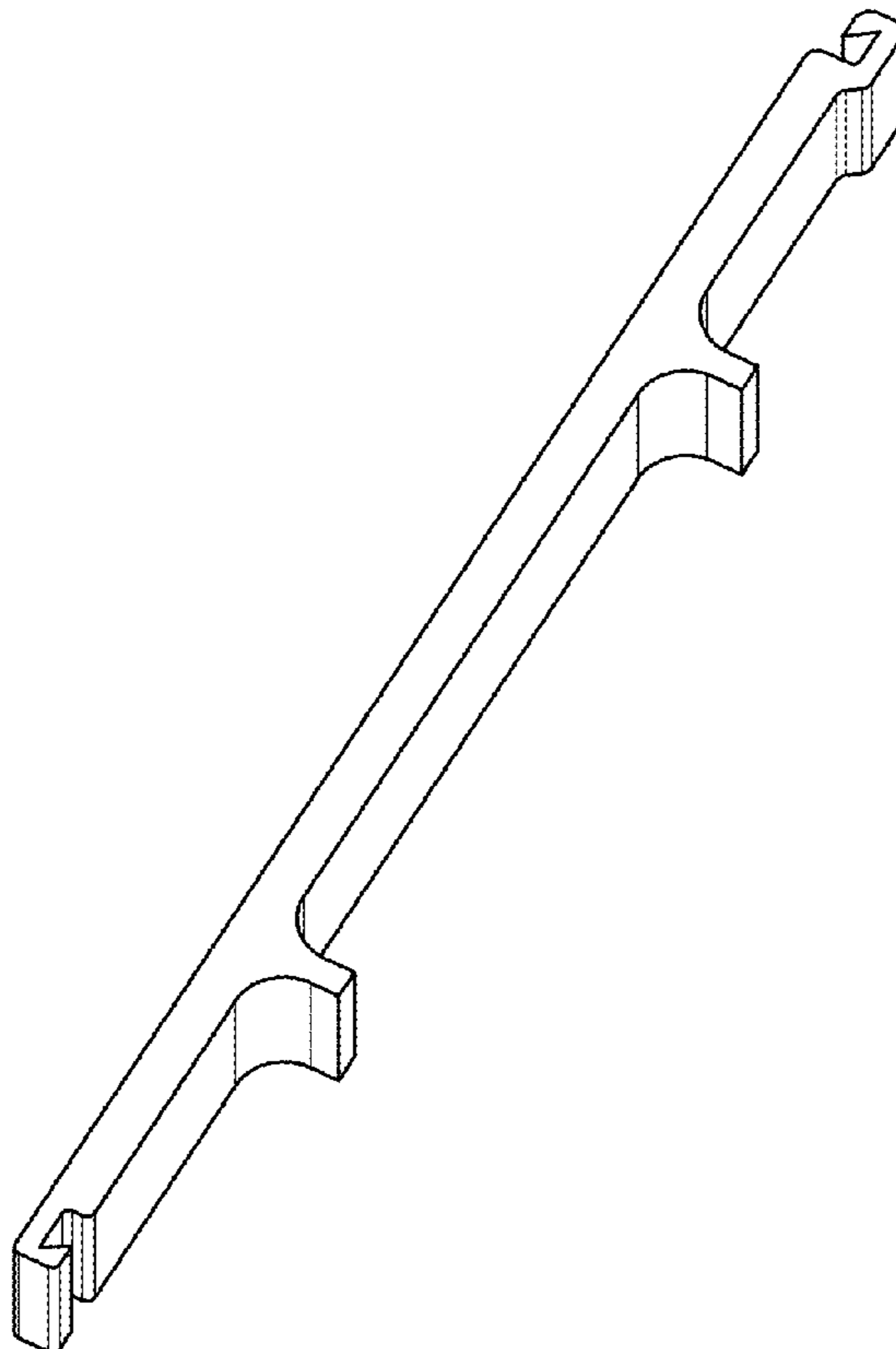
(57) **CLAIM**

The ornamental design for a sheet pile, as shown and described.

DESCRIPTION

FIG. 1 is a perspective view of the sheet pile;
FIG. 2 is a right side view of the sheet pile;
FIG. 3 is a left side view of the sheet pile;
FIG. 4 is a rear view of the sheet pile;
FIG. 5 is a front view of the sheet pile;
FIG. 6 is a bottom view of the sheet pile; and,
FIG. 7 is a top view of the sheet pile.

1 Claim, 2 Drawing Sheets



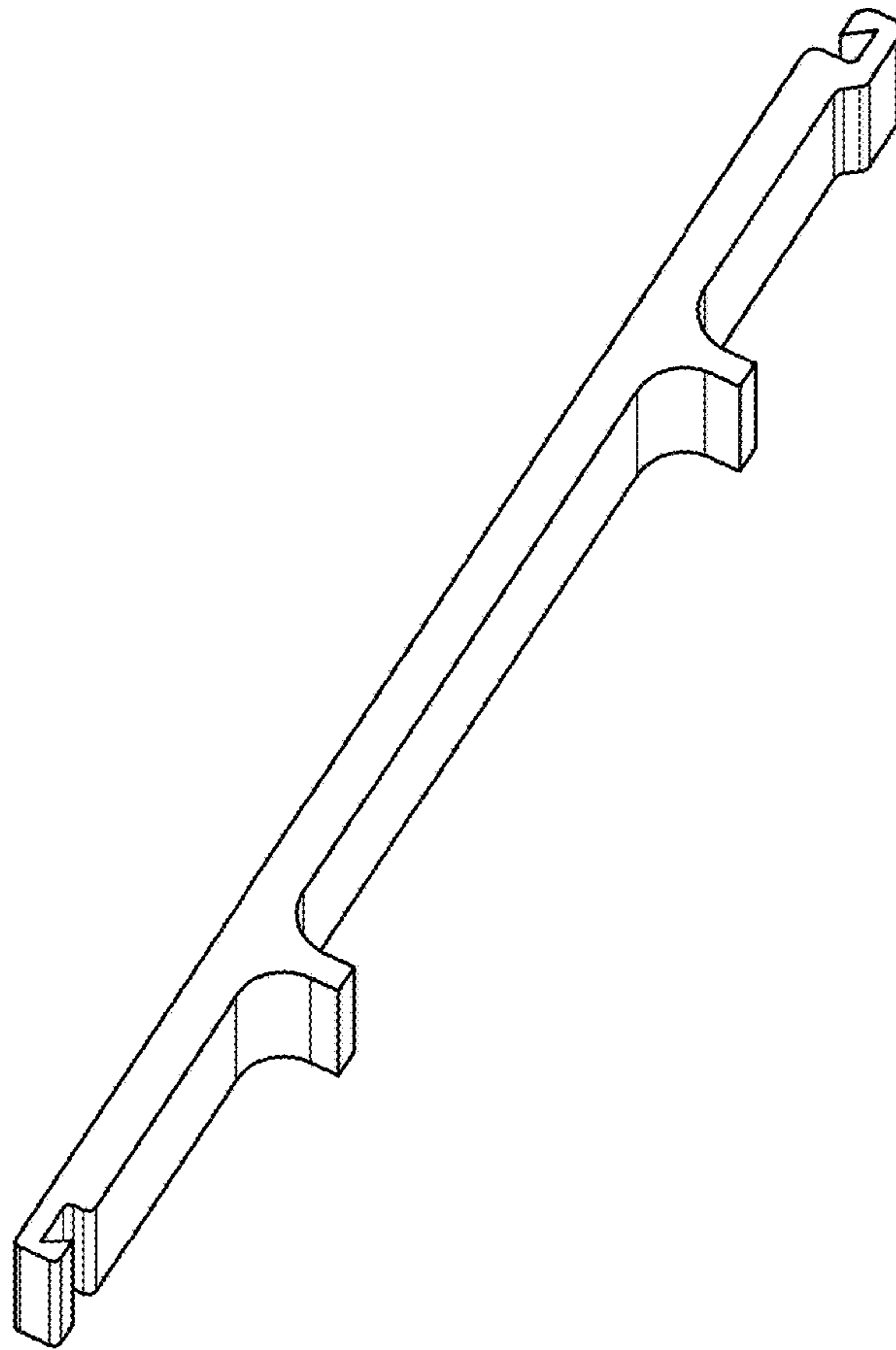


FIG. 1

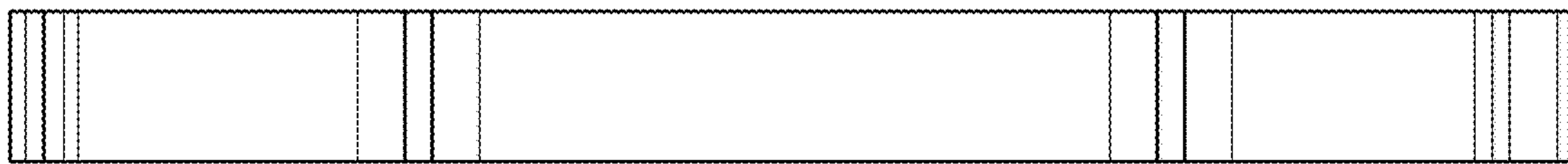


FIG. 2



FIG. 3

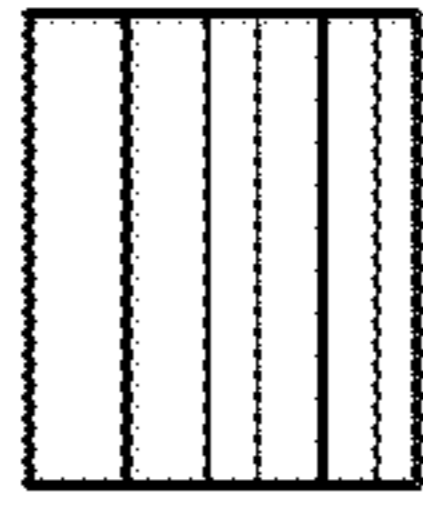


FIG. 4

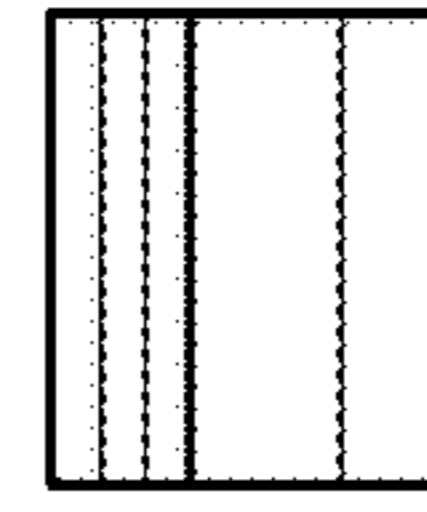


FIG. 5

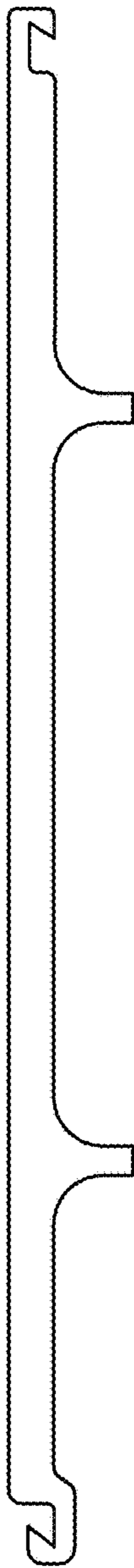


FIG. 6

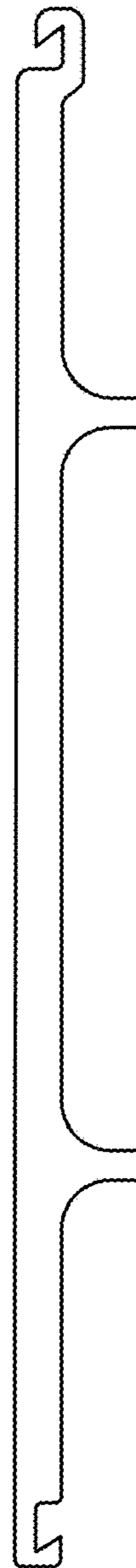


FIG. 7