



US00D846971S

(12) **United States Design Patent** (10) **Patent No.:** **US D846,971 S**
Wilson et al. (45) **Date of Patent:** **** Apr. 30, 2019**

(54) **RAIL FOR USE IN A SERVER EQUIPMENT RACK**

(71) Applicant: **Innovation First, Inc.**, Greenville, TX (US)

(72) Inventors: **James Whitney Wilson**, Navada, TX (US); **Hoainam James Tonthat**, Greenville, TX (US); **Robert H. Mimplitch, III**, Rowlett, TX (US)

(73) Assignee: **Innovation First, Inc.**, Greenville, TX (US)

(**) Term: **15 Years**

(21) Appl. No.: **29/540,602**

(22) Filed: **Sep. 25, 2015**

(51) **LOC (11) Cl.** **08-05**

(52) **U.S. Cl.**
USPC **D8/377**

(58) **Field of Classification Search**
USPC D8/380, 381, 400, 366, 384, 376, 377;
D6/552, 553, 560, 567, 572, 574;
D25/121, 126, 38.1, 41.1, 119, 125
CPC H05K 7/20736; H05K 7/1488; H05K
7/20781; H05K 7/183
See application file for complete search history.

(56) **References Cited**

U.S. PATENT DOCUMENTS

- 7,275,646 B2 * 10/2007 Mimplitch, III H05K 7/186
211/26
- D733,531 S * 7/2015 Tonthat D8/354
- 9,456,520 B1 * 9/2016 Wilson H05K 7/1488
- 9,924,611 B2 * 3/2018 Tonthat H05K 7/1489
- 2010/0243586 A1 * 9/2010 Henderson H05K 7/1489
211/26.2
- 2014/0240920 A1 * 8/2014 Cox G06F 1/20
361/679.53

- 2015/0084494 A1 * 3/2015 Tonthat H05K 7/183
312/333
- 2016/0338217 A1 * 11/2016 Tonthat H05K 7/1489
- 2017/0094827 A1 * 3/2017 Wilson H05K 7/1489

* cited by examiner

Primary Examiner — Eliza Z Bennett-Hattan
(74) *Attorney, Agent, or Firm* — Adam K. Sacharoff;
Much Shelist, P.C.

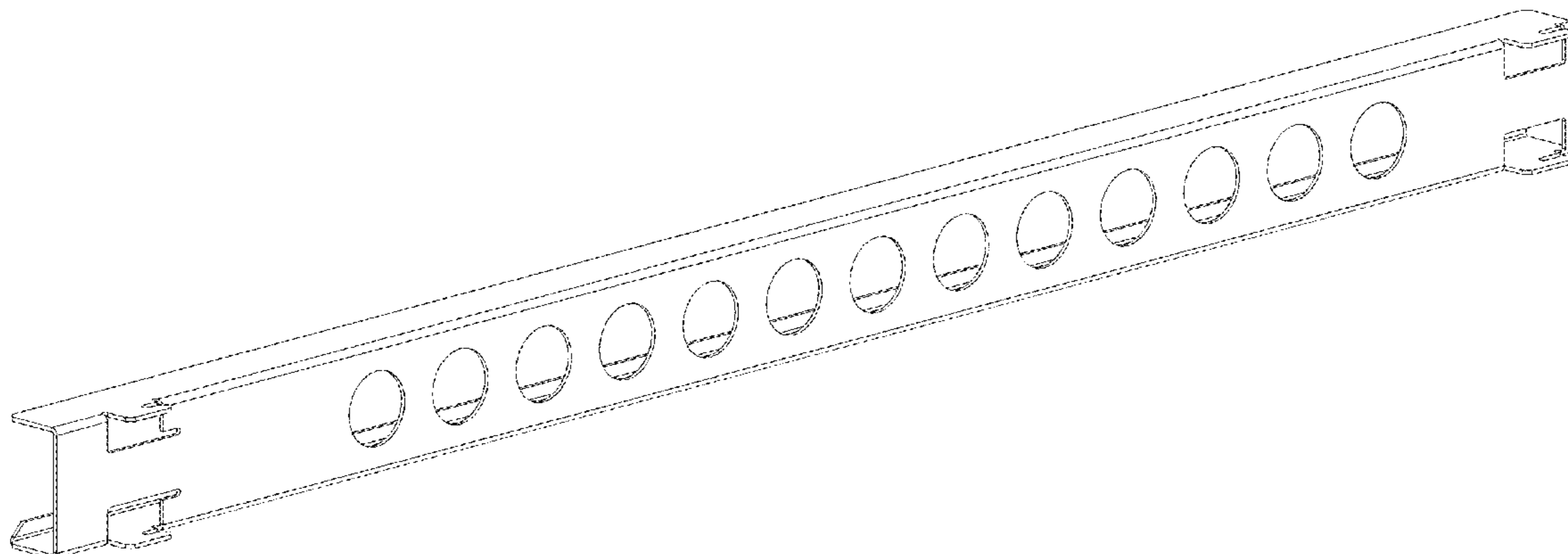
(57) **CLAIM**

The ornamental design for a rail for use in a server equipment rack, as shown and described.

DESCRIPTION

FIG. 1 is a front top perspective view showing our new design;
 FIG. 2 is a rear bottom perspective view thereof;
 FIG. 3 is a front elevation view thereof;
 FIG. 4 is a rear elevation view thereof;
 FIG. 5 is a top plan view thereof;
 FIG. 6 is bottom plan view thereof;
 FIG. 7 is a right side view thereof;
 FIG. 8 is a left side view thereof;
 FIG. 9 is a front bottom perspective view thereof;
 FIG. 10 is a perspective cross sectional view taken from section view 10-10 of FIG. 9;
 FIG. 11 is a perspective cross sectional view taken from section view 11-11 of FIG. 9;
 FIG. 12 is a front top perspective view showing an alternative embodiment of our new design;
 FIG. 13 is a rear bottom perspective view of FIG. 12;
 FIG. 14 is a front elevation view of FIG. 12;
 FIG. 15 is a rear elevation view of FIG. 12;
 FIG. 16 is a top plan view of FIG. 12;
 FIG. 17 is bottom plan view of FIG. 12;
 FIG. 18 is a right side view of FIGS. 12; and,
 FIG. 19 is a left side view of FIG. 12.
 The broken lines shown in FIGS. 12-15 are included to show unclaimed subject matter only and form no part of the claimed design.

1 Claim, 19 Drawing Sheets



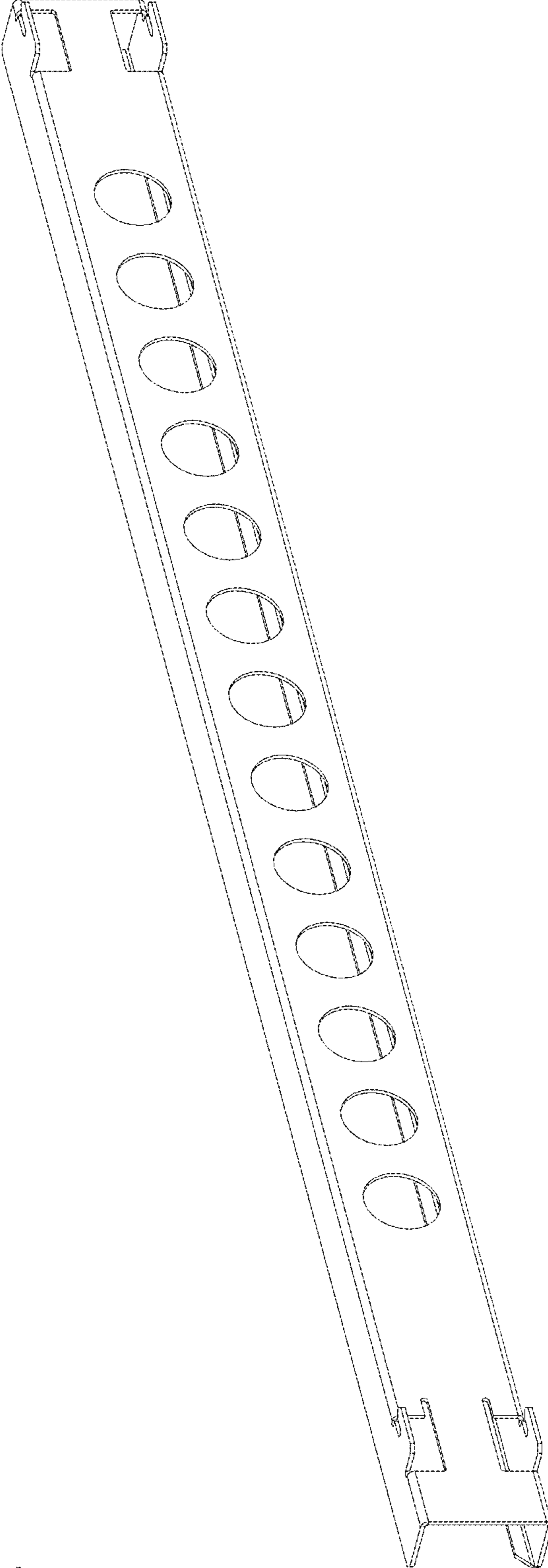


FIG. 1

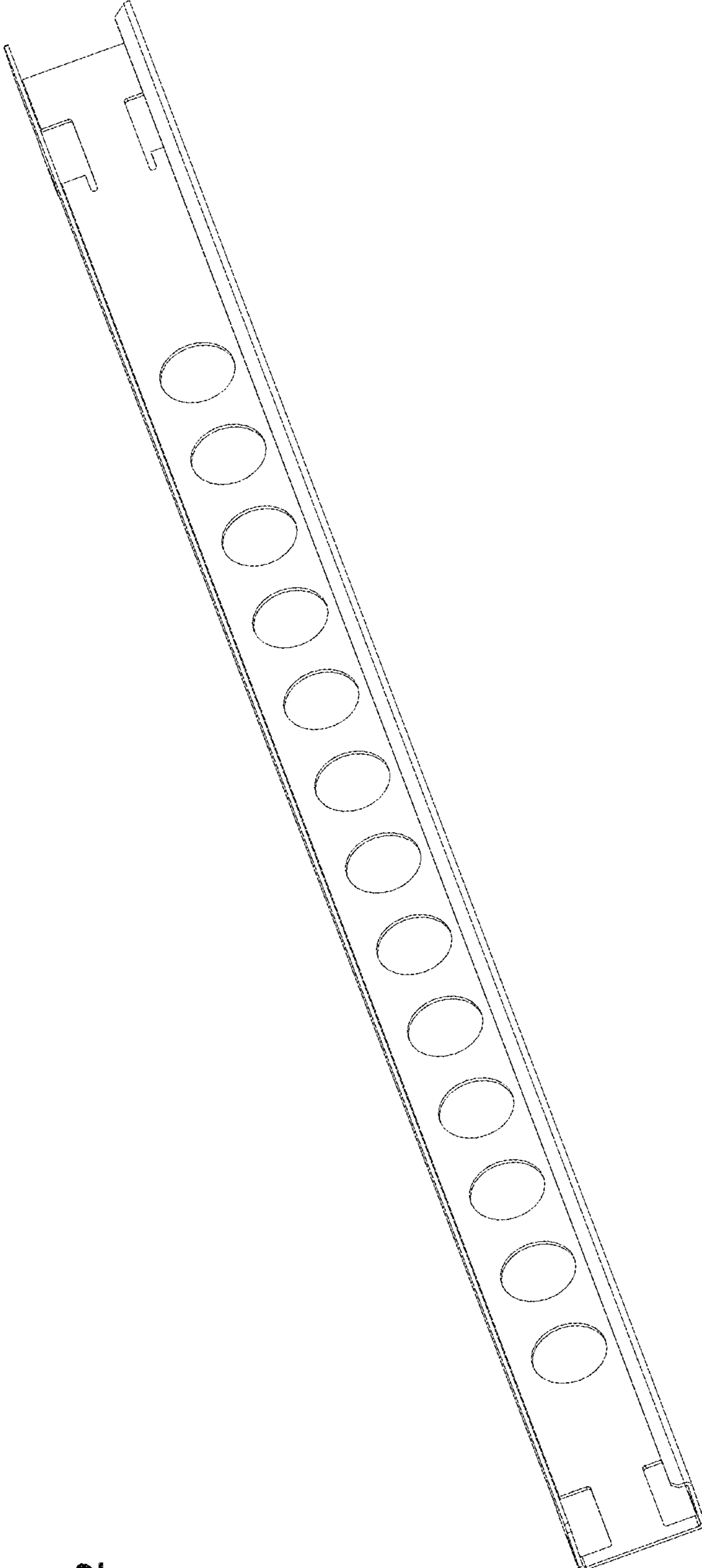


FIG. 2

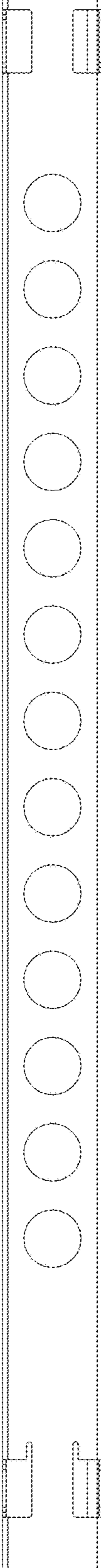
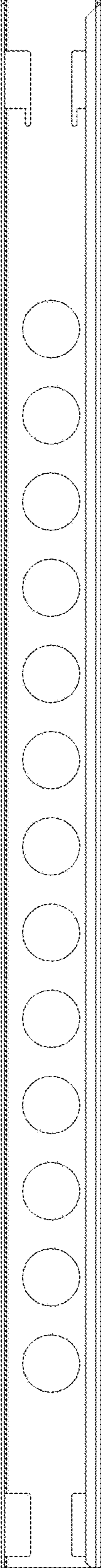


FIG. 3

FIG. 4



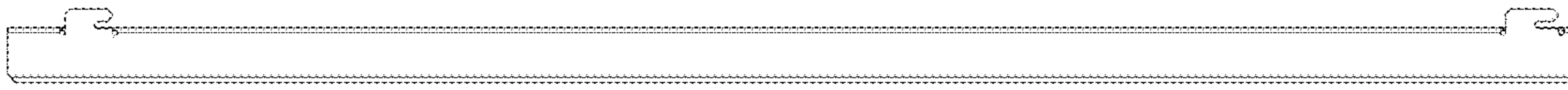


FIG. 5

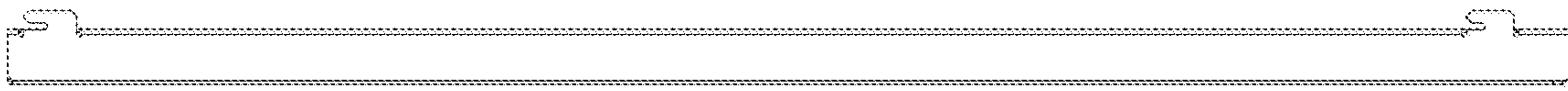


FIG. 6

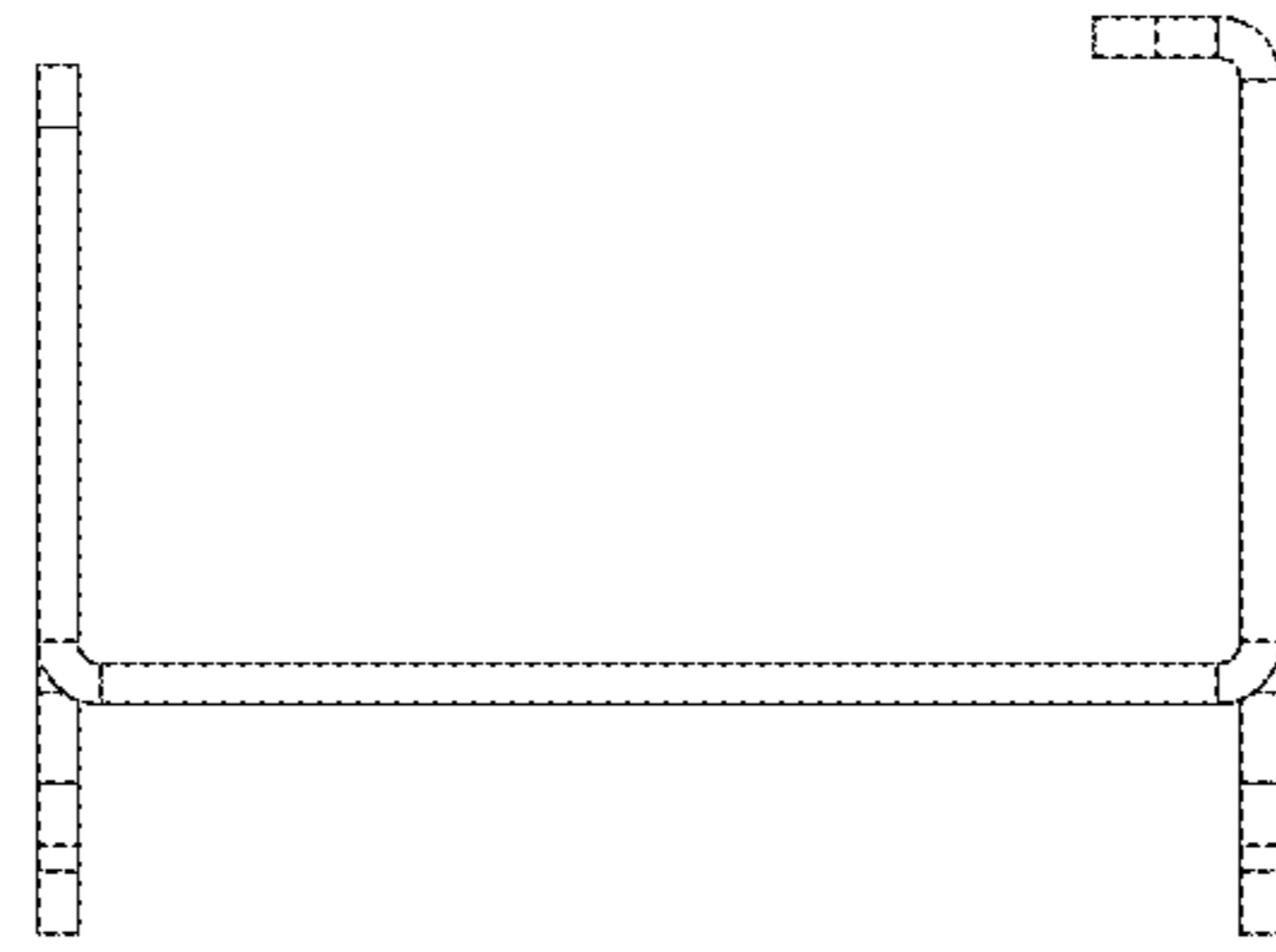


FIG. 7

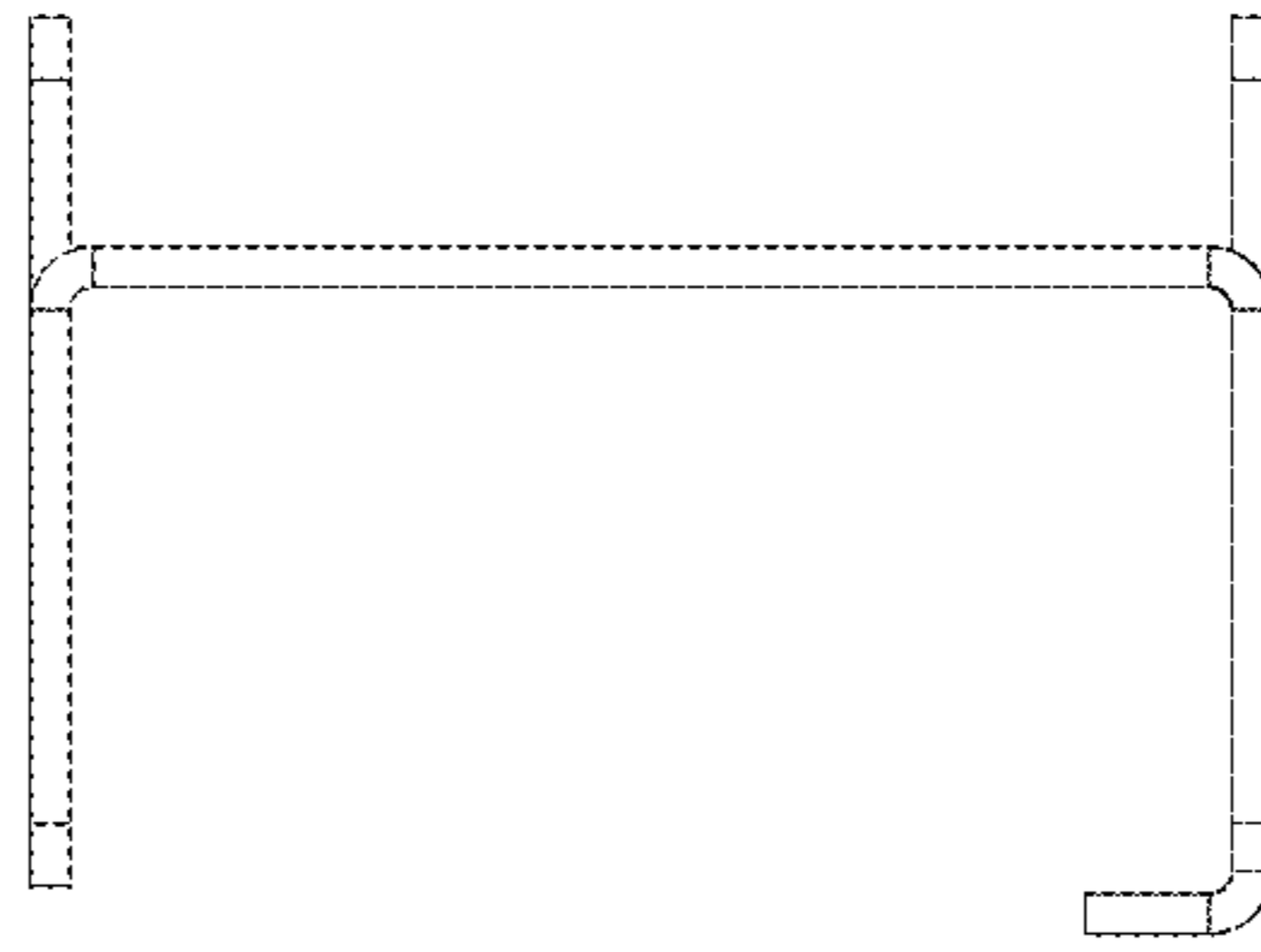


FIG. 8

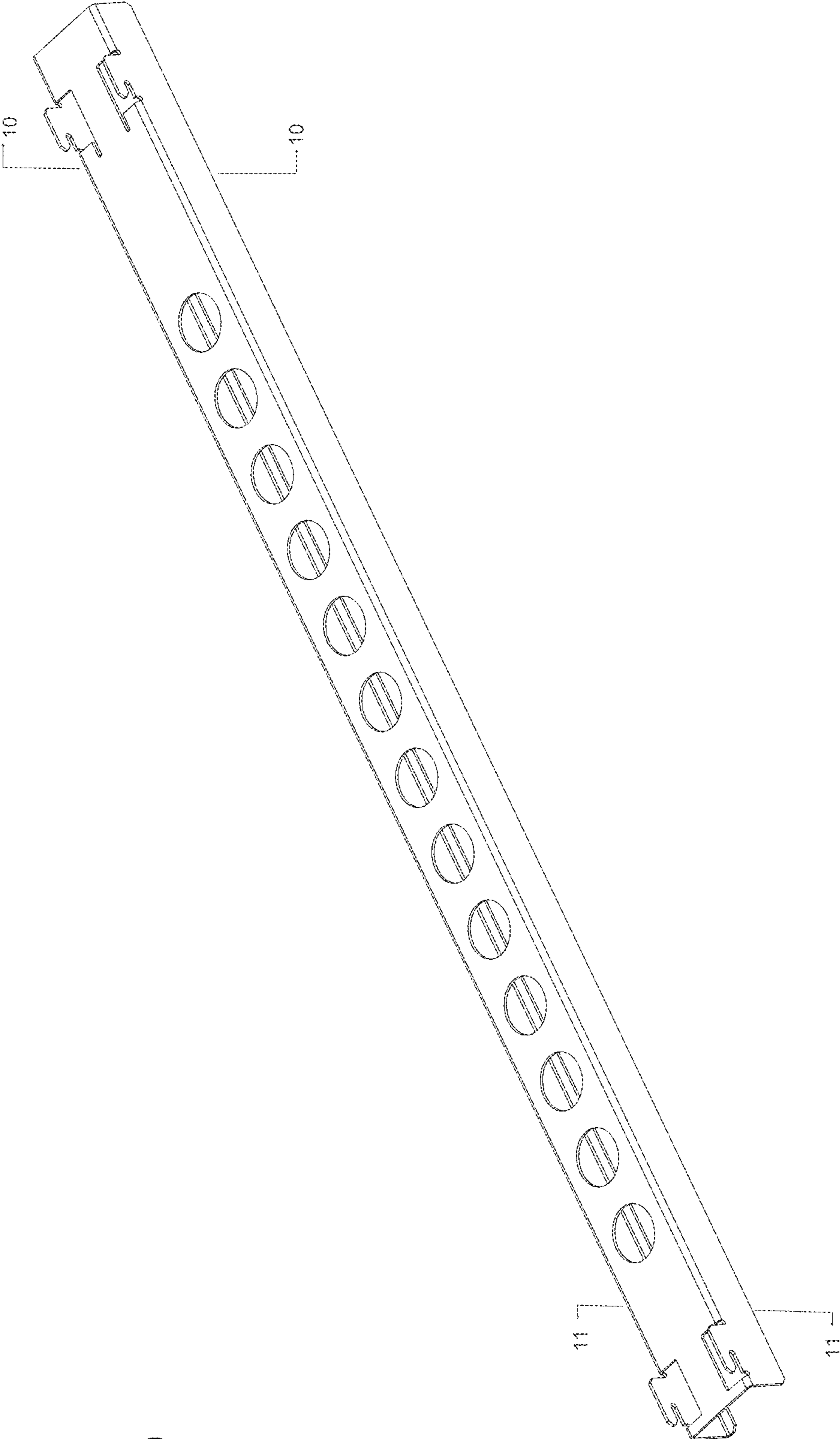


FIG. 9

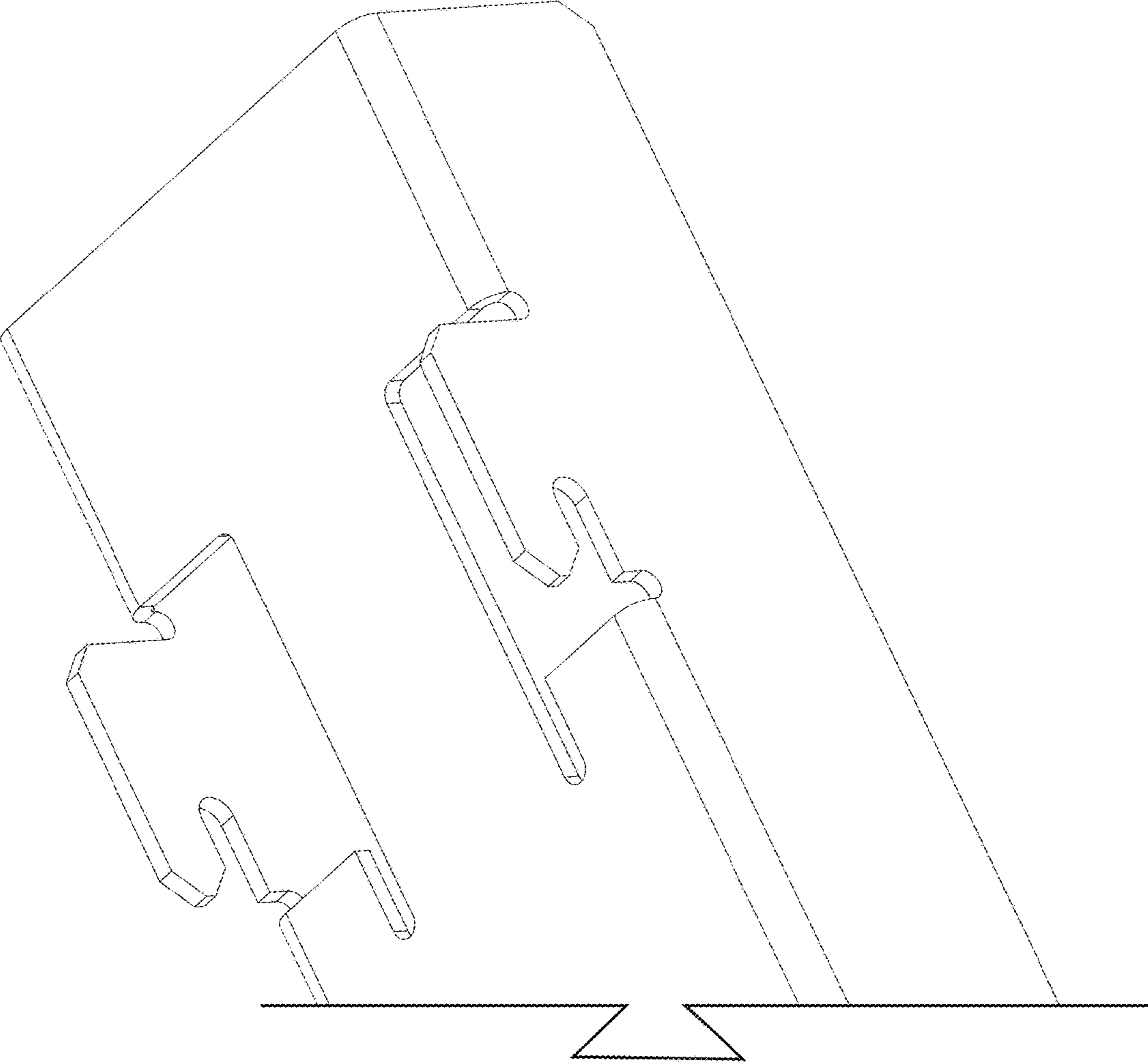


FIG. 10

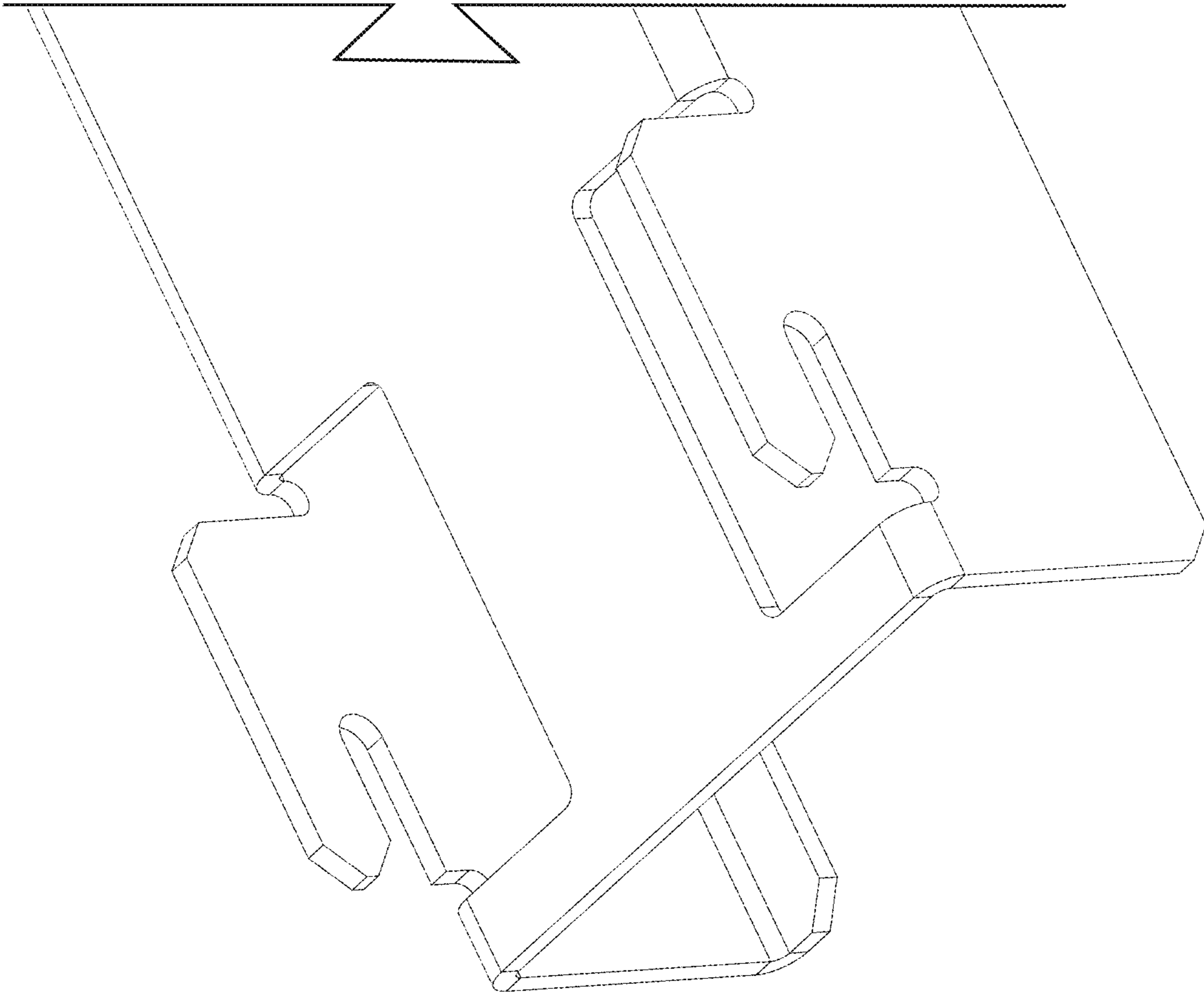


FIG. 11

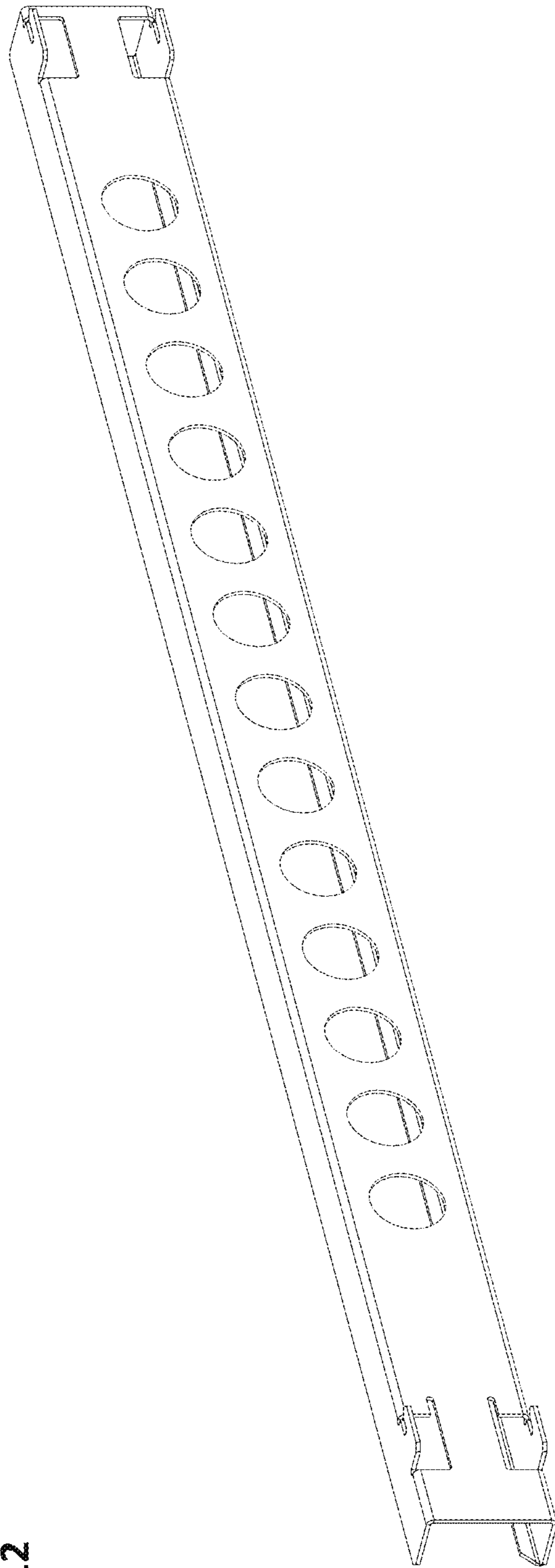


FIG. 12

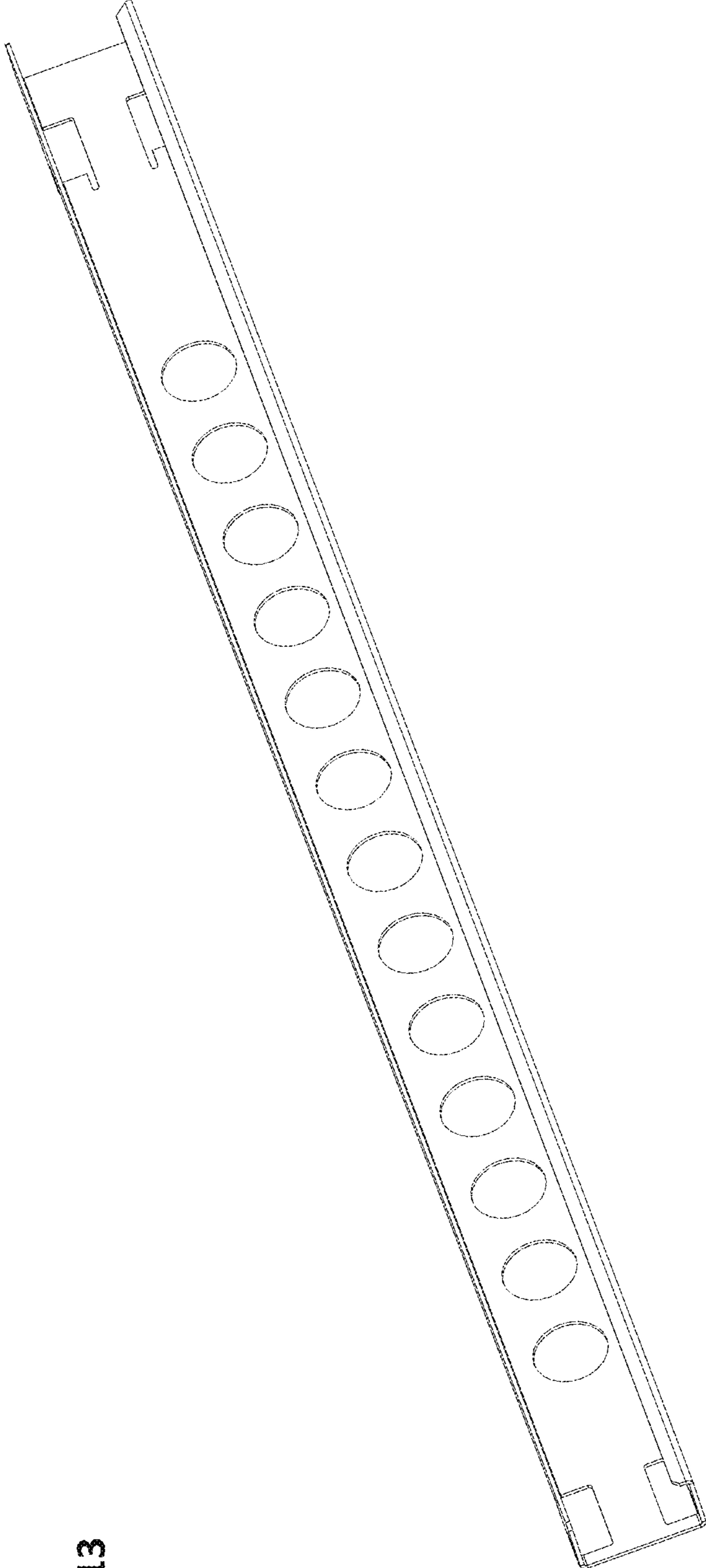


FIG. 13

FIG. 14

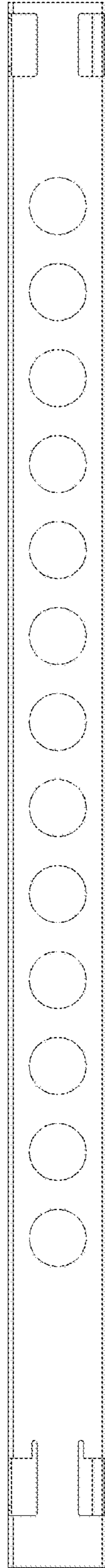
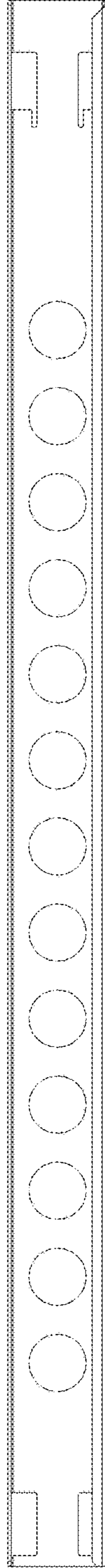


FIG. 15



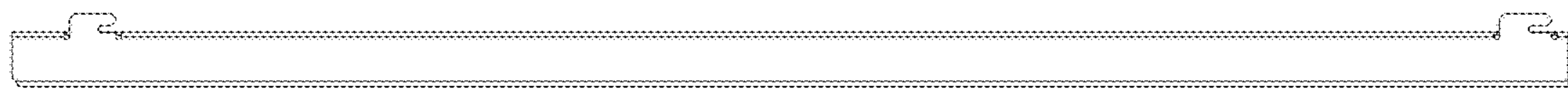


FIG. 16

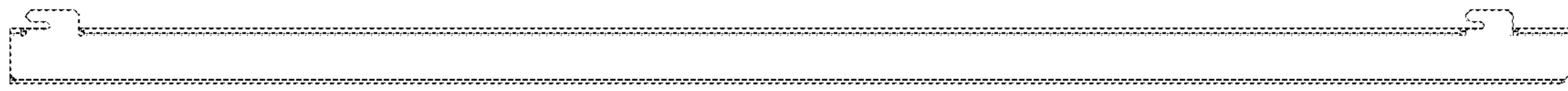


FIG. 17

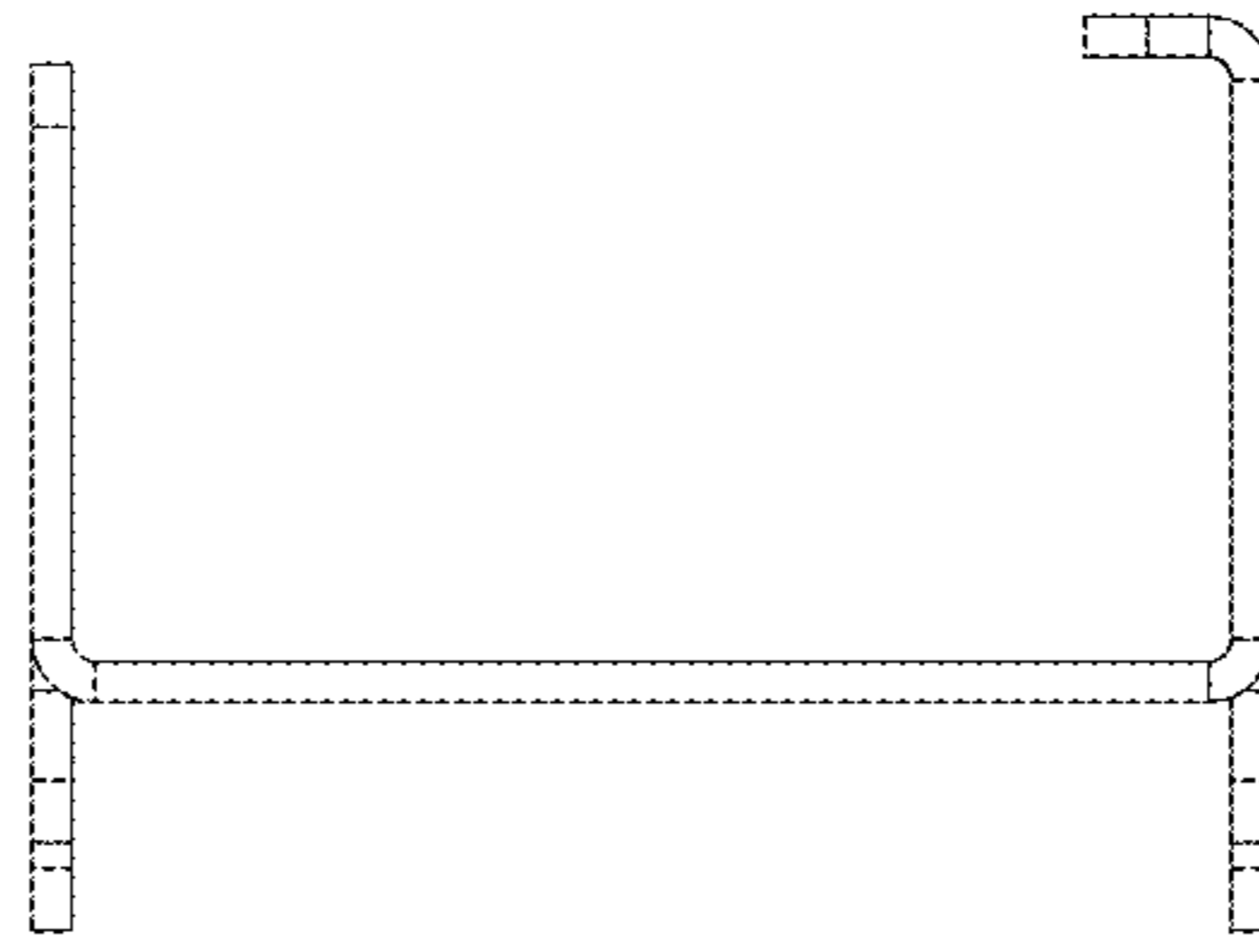


FIG. 18

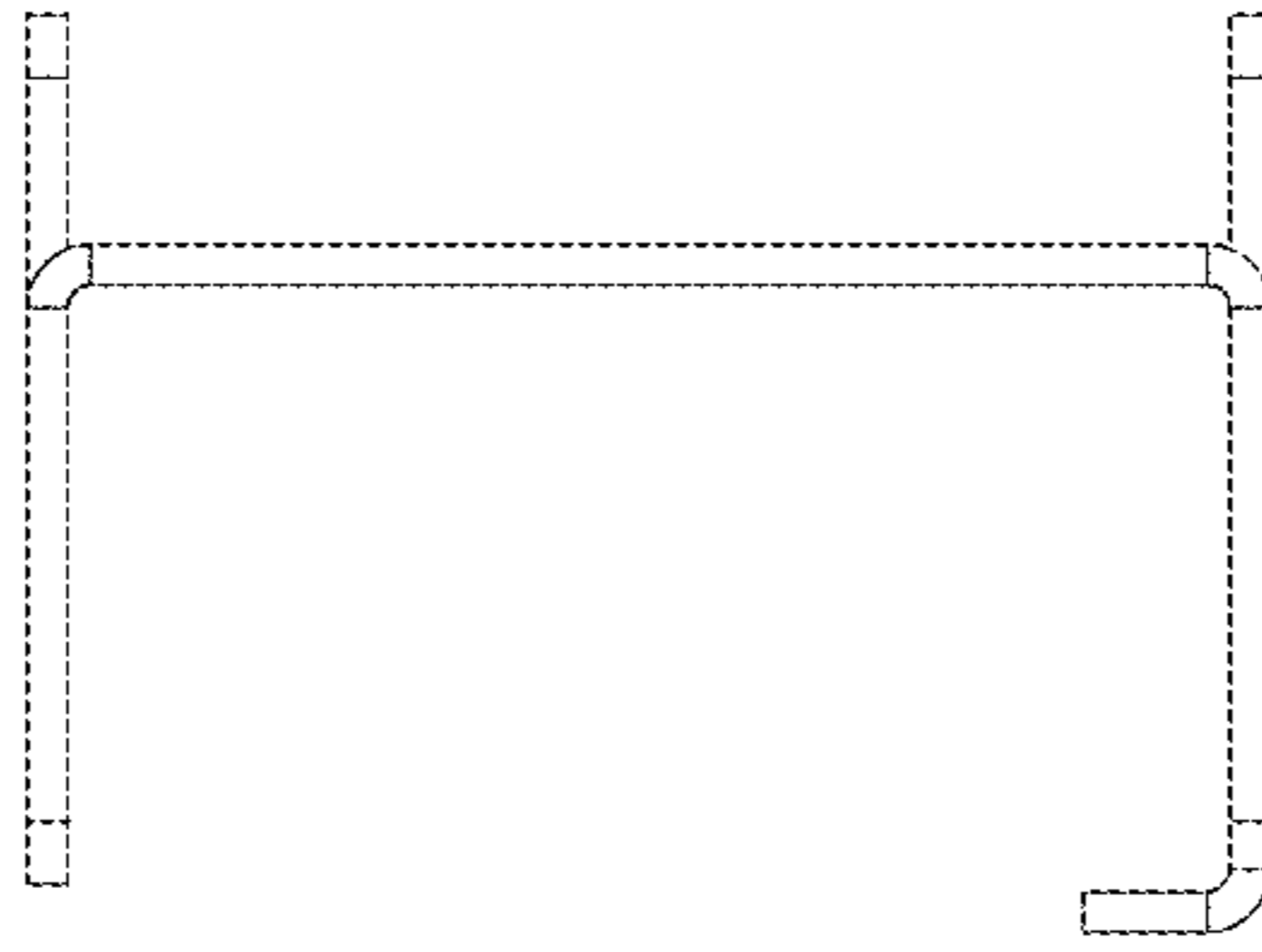


FIG. 19