



US00D846968S

(12) **United States Design Patent**  
**Müller**

(10) **Patent No.:** **US D846,968 S**  
(45) **Date of Patent:** **\*\* Apr. 30, 2019**

- (54) **BICYCLE LOCK HOLDER**
- (71) Applicant: **ABUS August Bremicker Söhne KG**,  
Wetter/Volmarstein (DE)
- (72) Inventor: **Thomas Müller**, Bischoffen (DE)
- (73) Assignee: **ABUS AUGUST BREMICKER**  
**SOHNE KG**, Wetter/Volmarstein (DE)

5,215,231 A \* 6/1993 Paczonay ..... B62J 11/00  
222/212  
5,291,765 A \* 3/1994 Hoisington ..... B62H 5/003  
70/18  
5,405,113 A \* 4/1995 Jaw ..... B62J 11/00  
224/425  
5,458,308 A \* 10/1995 Lin ..... B62J 11/00  
224/425

(Continued)

- (\*\*) Term: **15 Years**
- (21) Appl. No.: **29/628,794**

(22) Filed: **Dec. 7, 2017**

(30) **Foreign Application Priority Data**

Jun. 9, 2017 (EM) ..... 004039402

(51) **LOC (11) Cl.** ..... **08-07**

(52) **U.S. Cl.**  
USPC ..... **D8/331; D8/343; D8/349**

(58) **Field of Classification Search**  
USPC ..... D8/330-346; 248/309.1, 316.1, 616.5;  
70/233  
CPC ... B62J 99/00; B62J 11/00; B62H 5/00; E05B  
71/00; E05B 67/38; E05B 2067/386;  
F16B 2/10; F16B 2/185; B62K 19/40;  
B25B 5/04  
See application file for complete search history.

(56) **References Cited**

**U.S. PATENT DOCUMENTS**

4,269,049 A \* 5/1981 Henderson ..... E05B 71/00  
211/20  
5,145,138 A \* 9/1992 Schlanger ..... B62J 11/00  
224/414  
5,179,590 A \* 1/1993 Wang ..... B60R 11/0241  
224/482  
5,201,501 A \* 4/1993 Fassler ..... B23Q 1/76  
269/156

**FOREIGN PATENT DOCUMENTS**

EP 001284848-0005 7/2011  
EP 001284848-0006 7/2011

*Primary Examiner* — Mark A Goodman

(74) *Attorney, Agent, or Firm* — Global IP Counselors,  
LLP

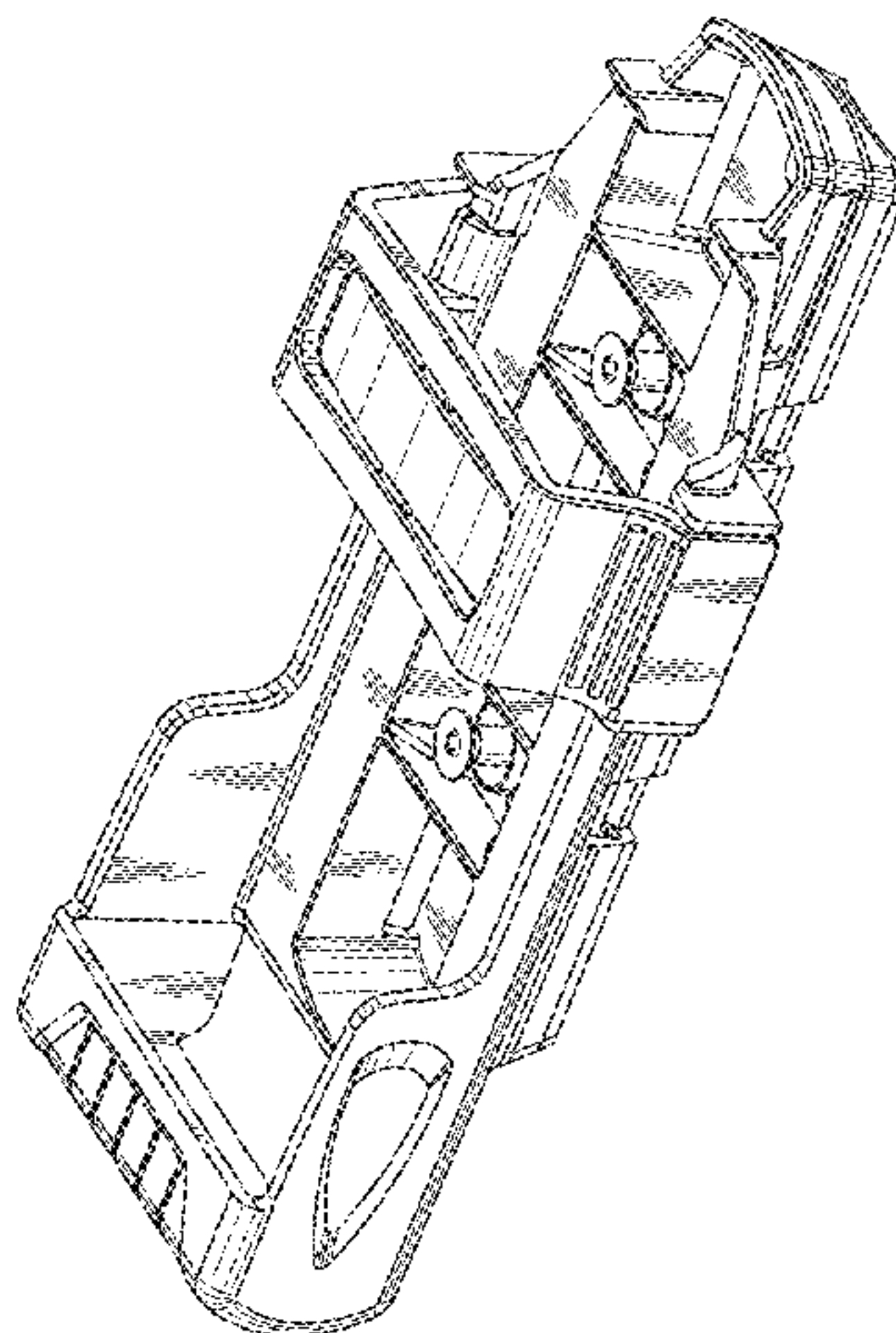
(57) **CLAIM**

The ornamental design for a bicycle lock holder, as shown  
and described.

**DESCRIPTION**

FIG. 1 is a front view with the cross bar in a closed position  
in accordance with my new design;  
FIG. 2 is a left side view thereof;  
FIG. 3 is a right side view thereof;  
FIG. 4 is a rear view thereof;  
FIG. 5 is a top view thereof;  
FIG. 6 is a bottom view thereof;  
FIG. 7 is a front perspective view thereof with the cross bar  
in a closed position;  
FIG. 8 is a rear perspective view thereof with the cross bar  
in a closed position;  
FIG. 9 is a front perspective view thereof with the cross bar  
in an opened position; and,  
FIG. 10 is a top view thereof with the cross bar in an opened  
position.  
The contour lines depict illustration only, and form no part  
of the claimed design.

**1 Claim, 10 Drawing Sheets**



(56)

**References Cited**

U.S. PATENT DOCUMENTS

5,538,167	A *	7/1996	Winner	.....	B62J 11/00 224/425
5,572,776	A *	11/1996	Murphy	.....	F16B 2/10 24/487
5,785,289	A *	7/1998	Shieh	.....	B62H 5/003 248/230.1
6,056,332	A *	5/2000	Foster	.....	F16L 23/10 24/285
6,059,245	A *	5/2000	Hermansen	.....	B62J 11/00 248/311.2
6,422,442	B1 *	7/2002	McDaid	.....	B62H 5/00 224/441
6,520,466	B1 *	2/2003	Blanchard, III	.....	G06F 1/1628 248/300
6,557,808	B1 *	5/2003	Ling	.....	B62H 5/00 224/425
7,311,233	B2 *	12/2007	Chen	.....	B62J 11/00 224/425
7,920,905	B2 *	4/2011	Bury	.....	B60R 11/0241 379/445
8,851,348	B2 *	10/2014	Zuraski	.....	B62H 5/00 224/425
8,973,880	B2 *	3/2015	Goffman	.....	B62J 11/00 248/230.4
8,998,048	B1 *	4/2015	Wu	.....	B62J 11/00 224/420
D778,140	S *	2/2017	Heinemann	.....	D8/343
D809,367	S *	2/2018	Kuo	.....	D8/331
2002/0113185	A1 *	8/2002	Ziegler	.....	B62J 11/00 248/309.1
2016/0215527	A1	7/2016	Steinkamp		
2016/0369531	A1 *	12/2016	Hommel	.....	B62H 5/00
2017/0267305	A1	9/2017	Muller		

\* cited by examiner

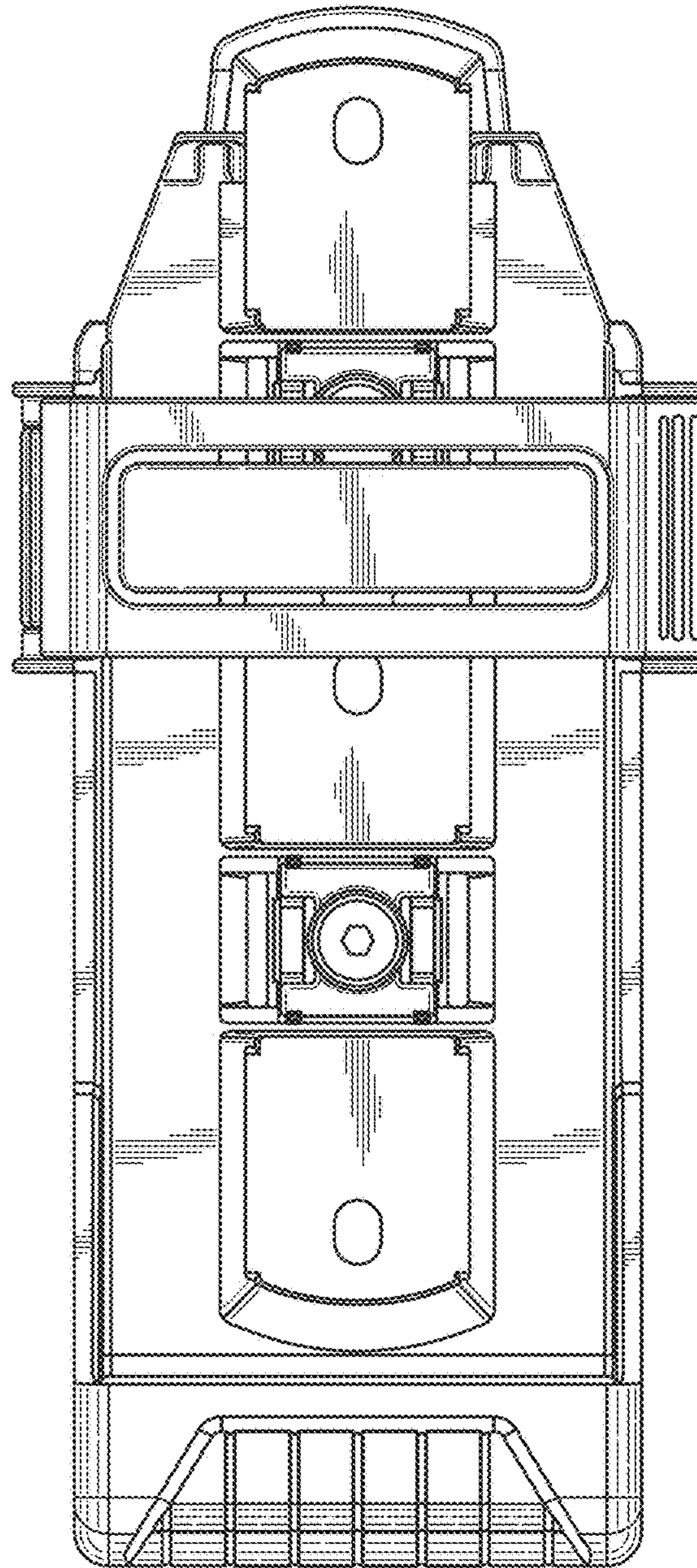


FIG. 1



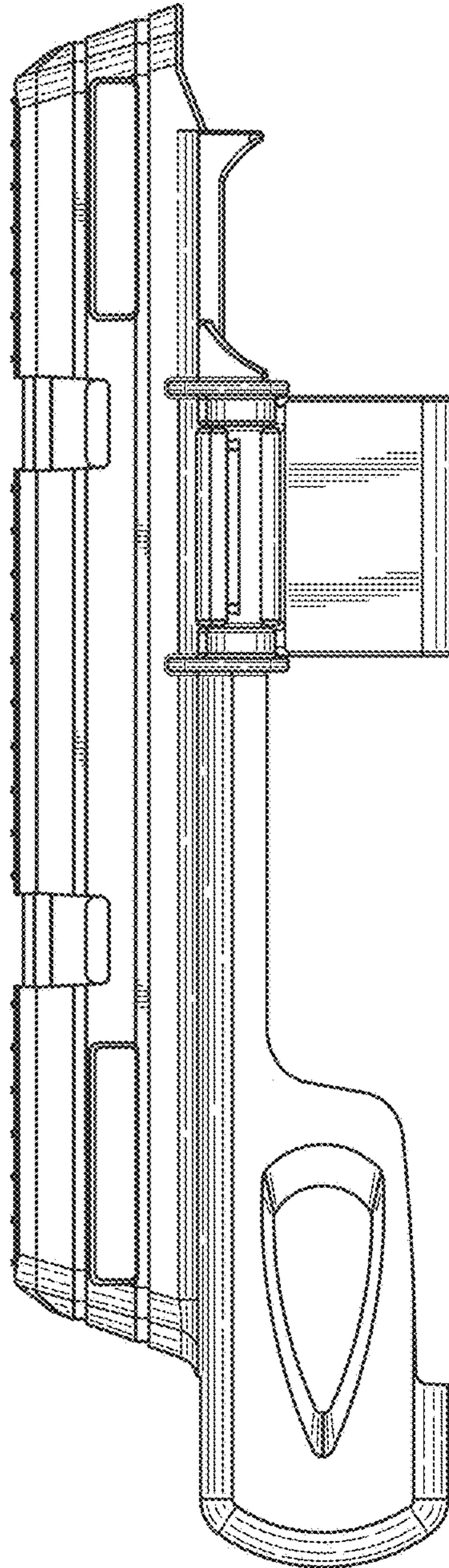


FIG. 2

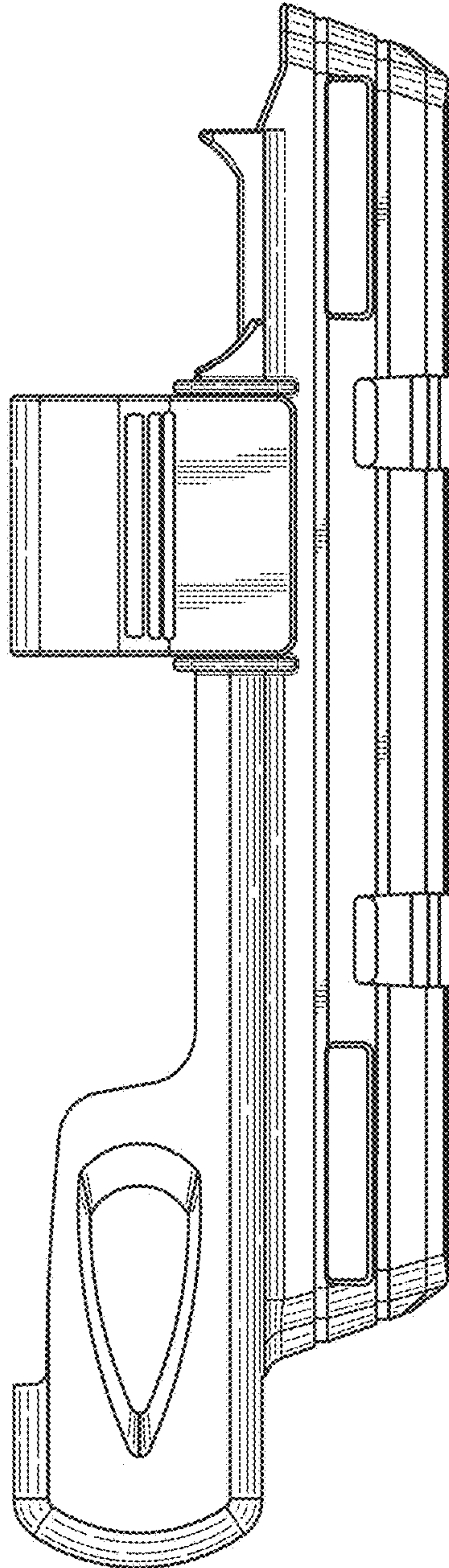


FIG. 3

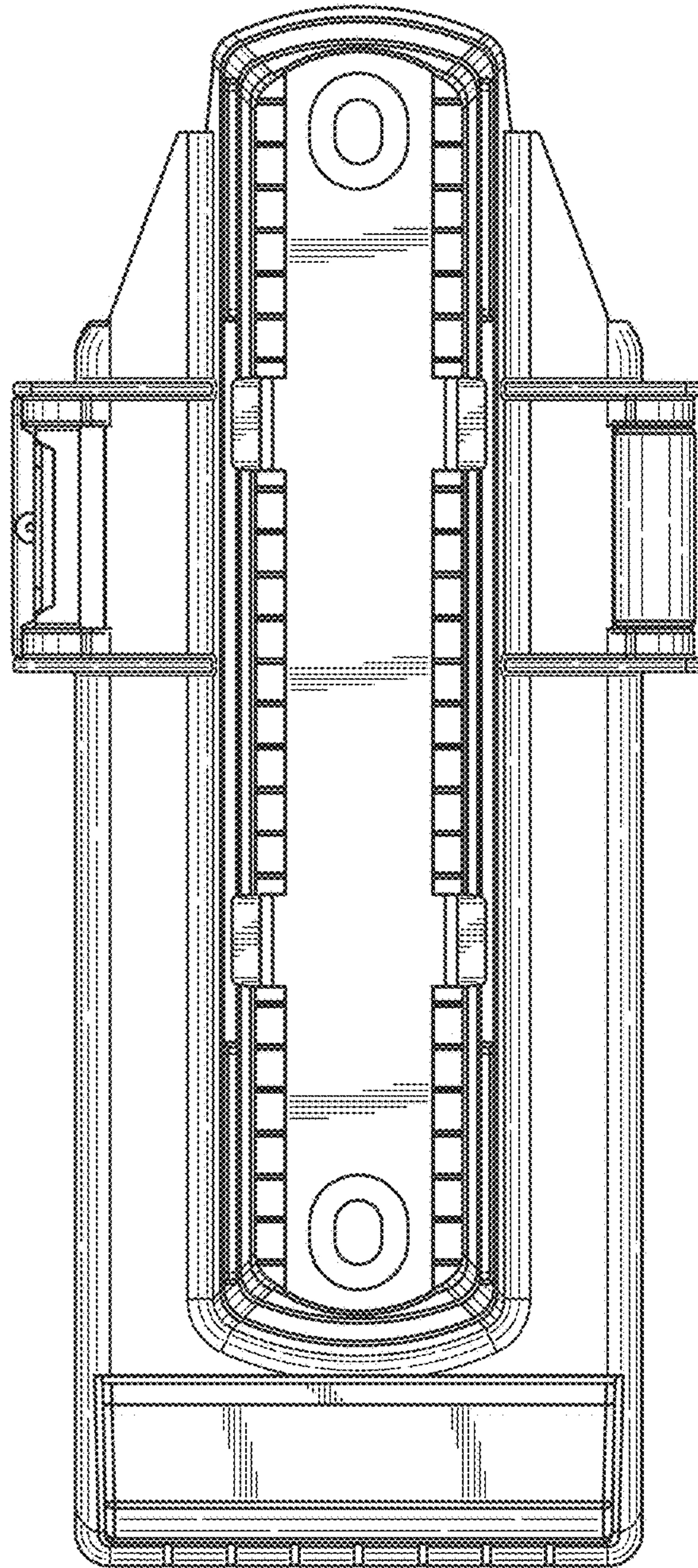


FIG. 4

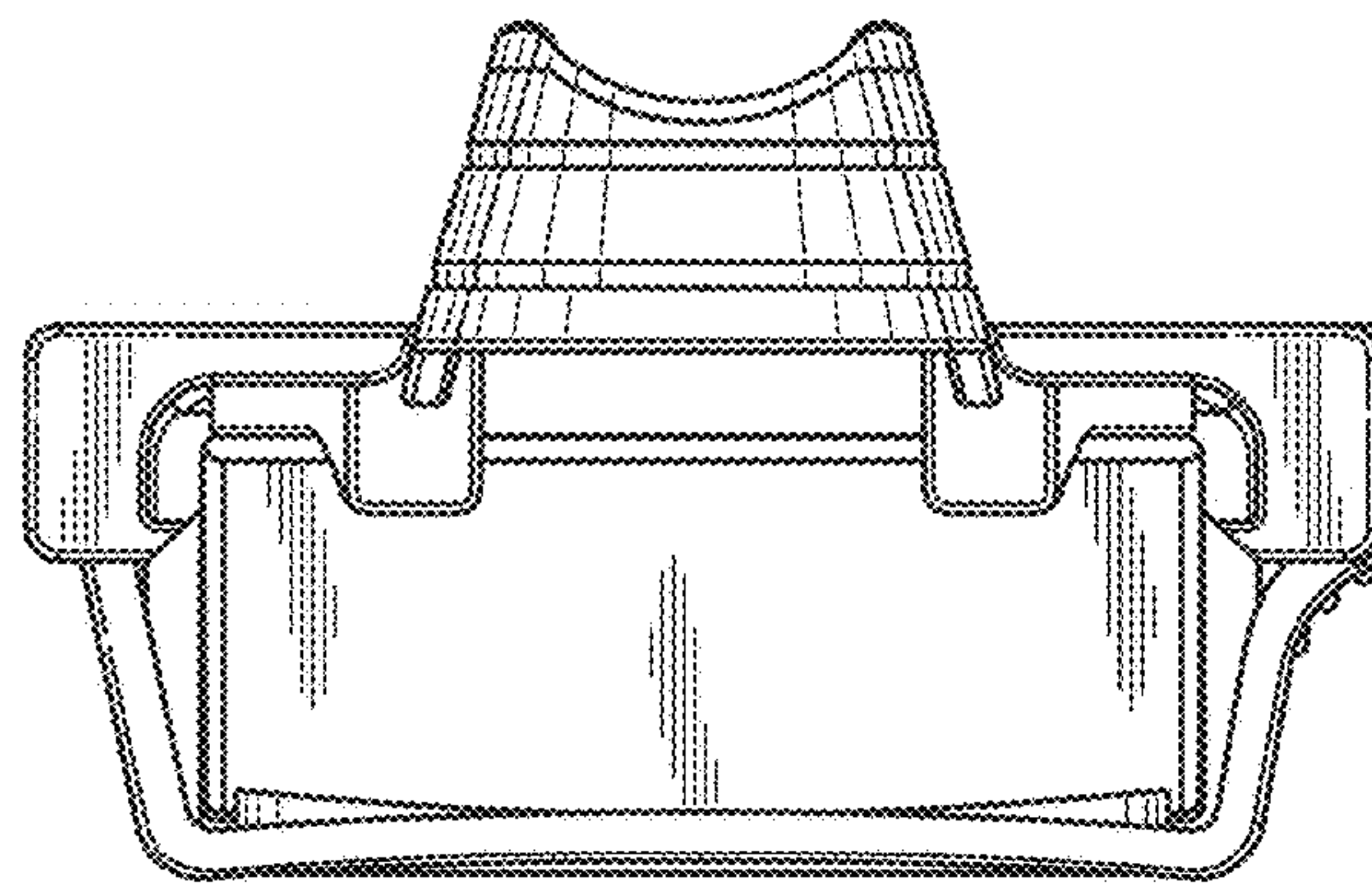


FIG. 5



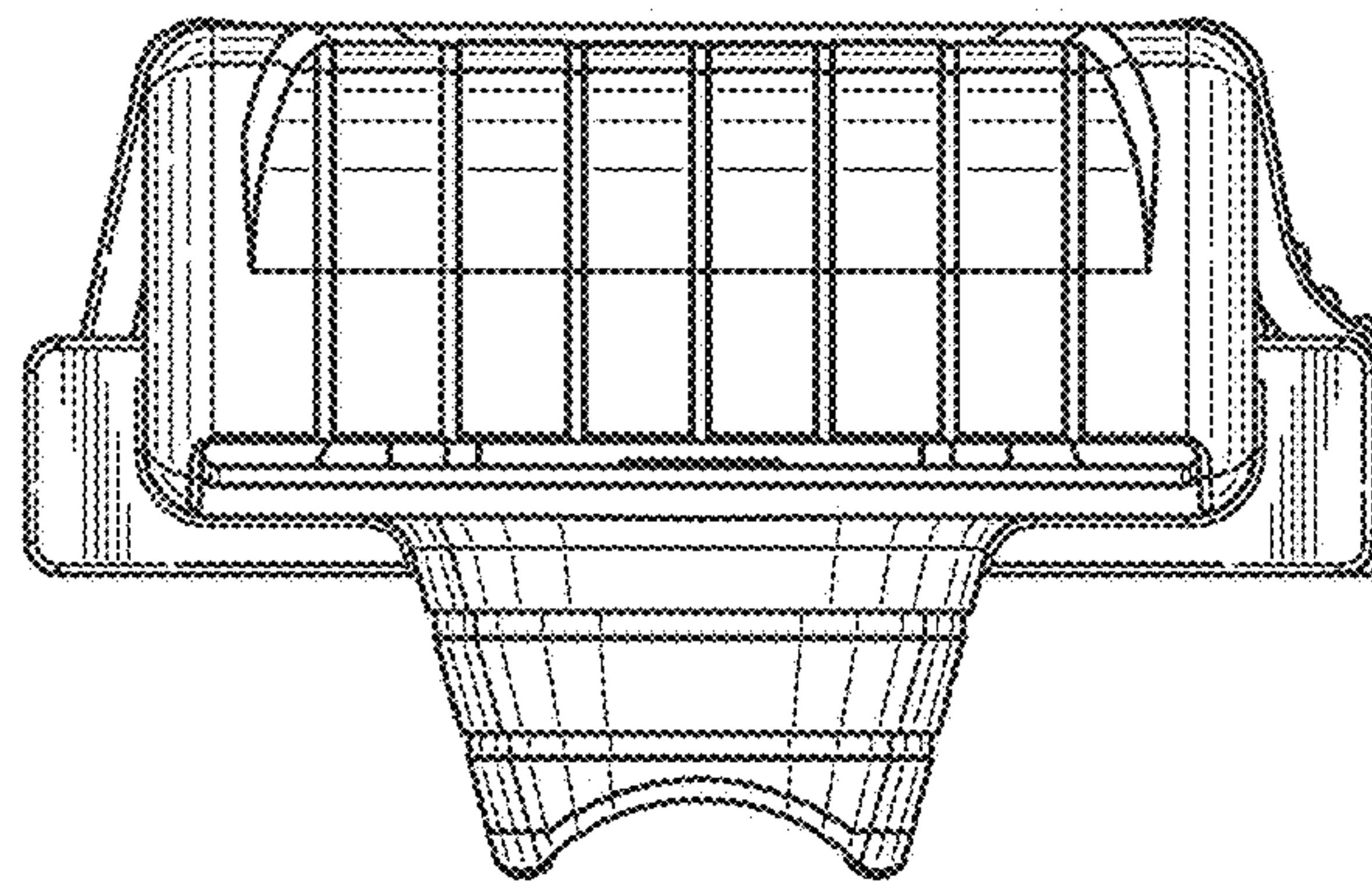


FIG. 6



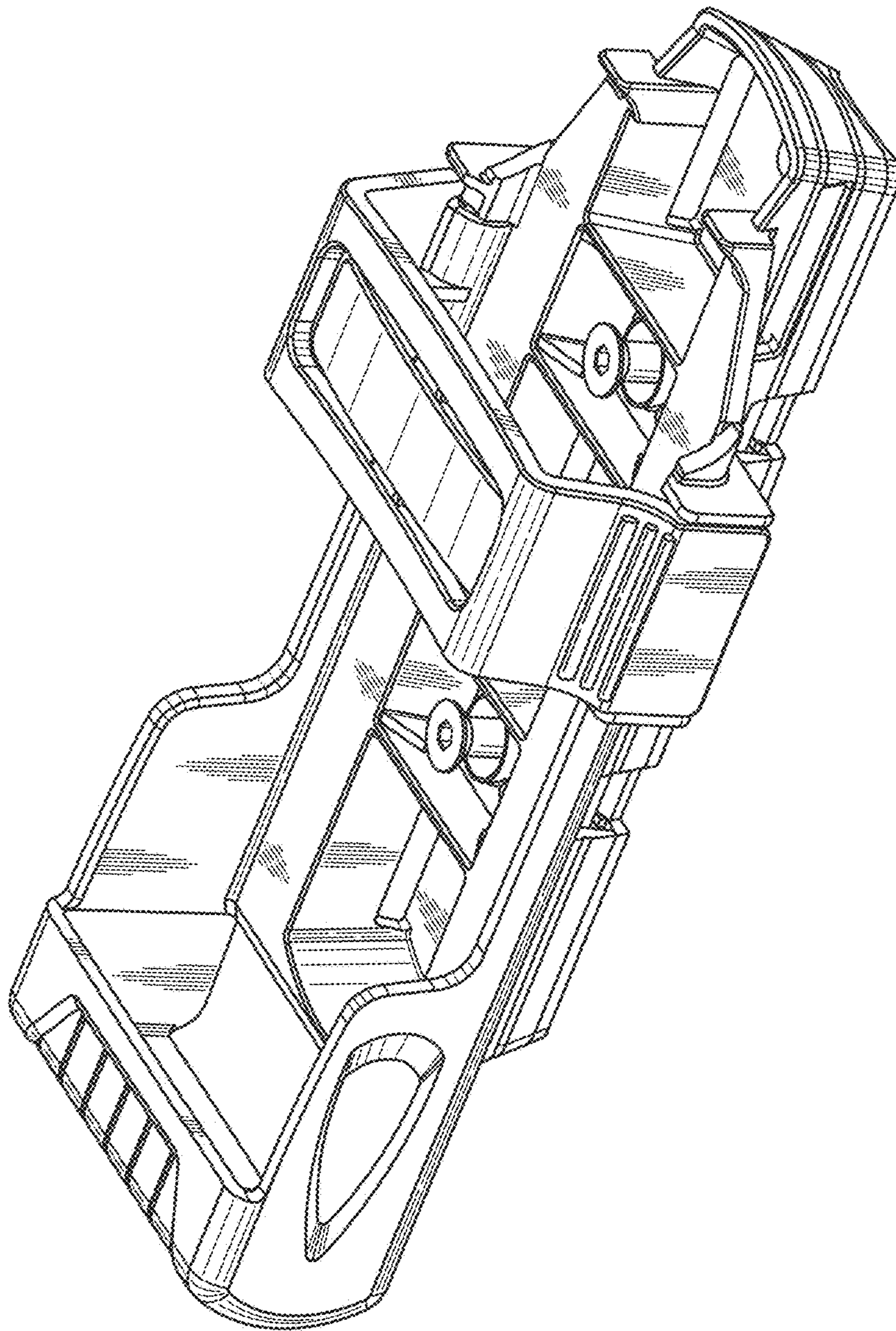


FIG. 7

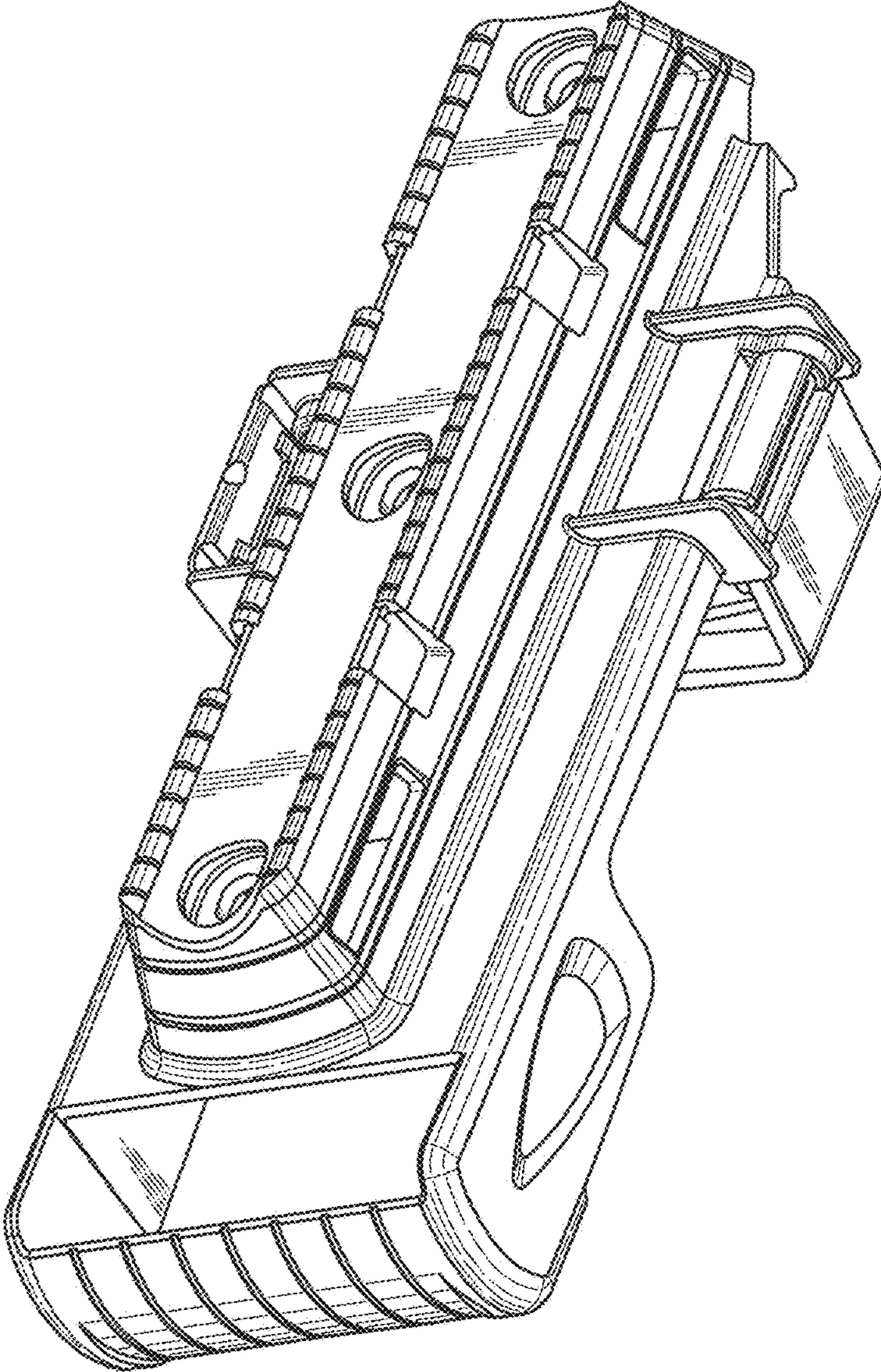


FIG. 8



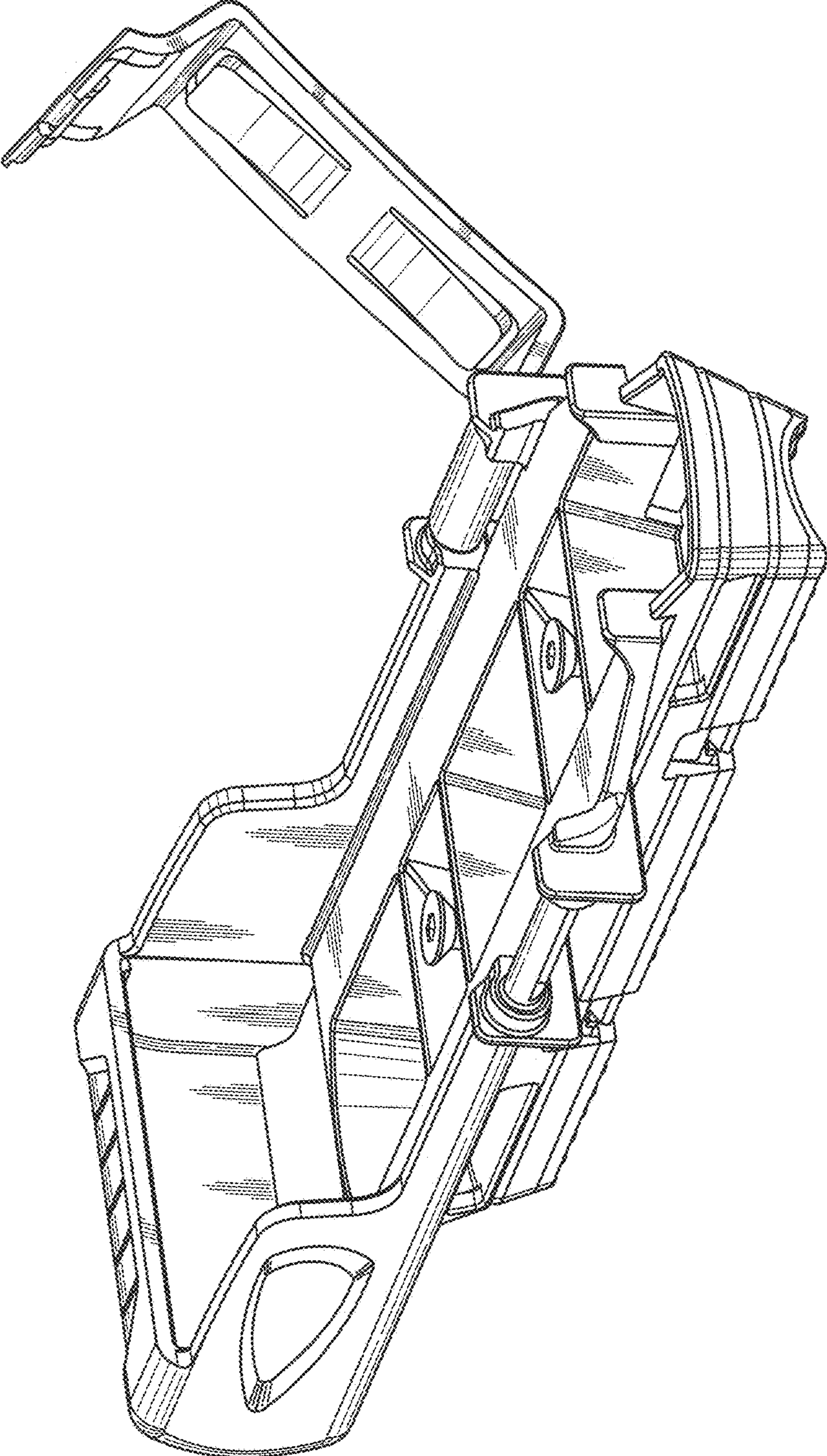


FIG. 9

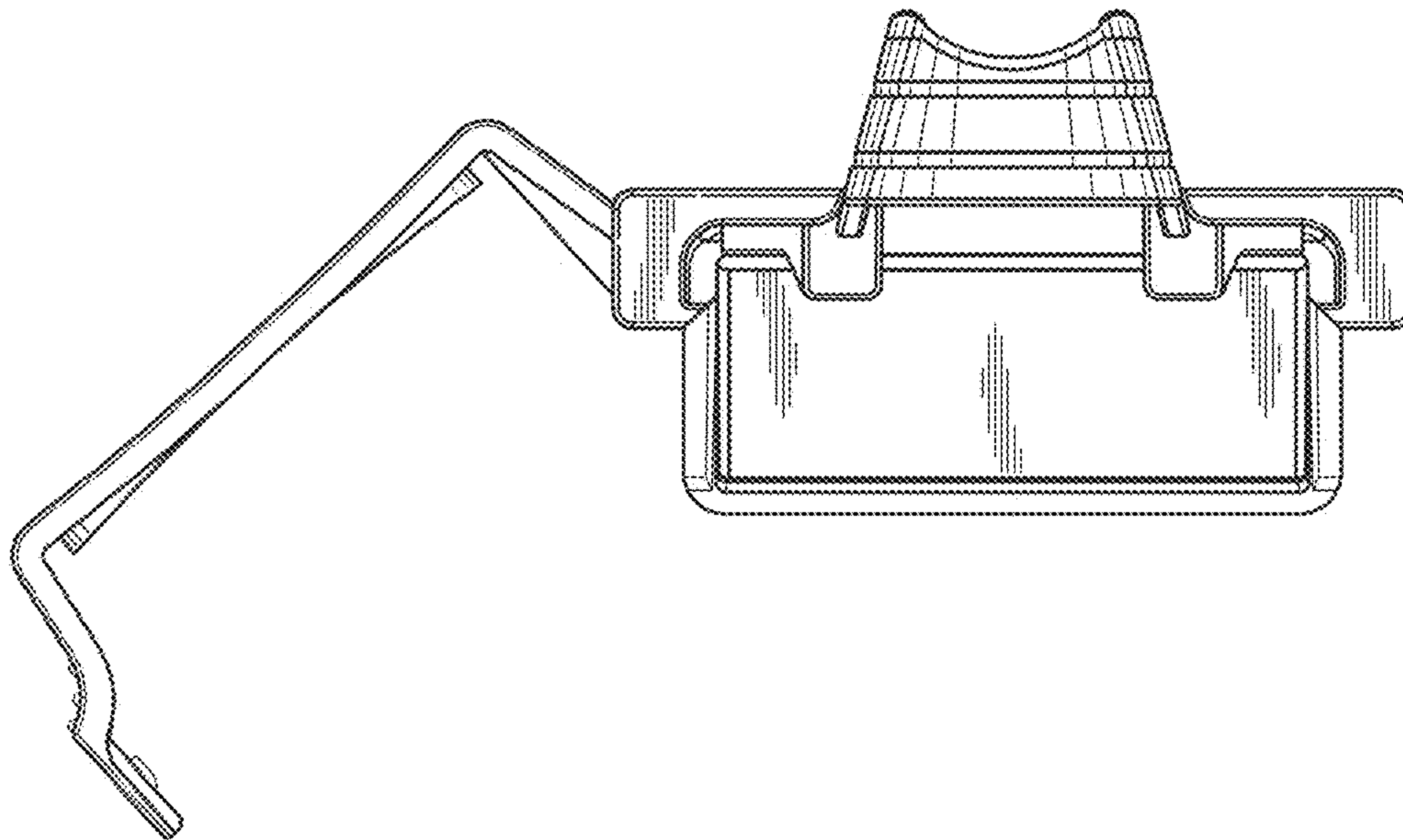


FIG. 10