



US00D846965S

(12) **United States Design Patent**
Gilbert et al.

(10) **Patent No.:** **US D846,965 S**

(45) **Date of Patent:** **** Apr. 30, 2019**

(54) **UTILITY KNIFE**

(71) Applicants: **James Gilbert**, Catlett, VA (US);
Michael L. Marshall, Washington, DC
(US); **Paola Moya**, Washington, DC
(US)

(72) Inventors: **James Gilbert**, Catlett, VA (US);
Michael L. Marshall, Washington, DC
(US); **Paola Moya**, Washington, DC
(US)

(**) Term: **15 Years**

(21) Appl. No.: **29/600,916**

(22) Filed: **Apr. 17, 2017**

Related U.S. Application Data

(60) Continuation-in-part of application No. 13/797,036,
filed on Mar. 12, 2013, and a continuation-in-part of
application No. 14/157,187, filed on Jan. 16, 2014,
and a continuation-in-part of application No.
14/620,531, filed on Feb. 12, 2015, and a division of
application No. 29/517,346, filed on Feb. 12, 2015,
now Pat. No. Des. 784,108.

(51) **LOC (11) Cl.** **08-03**

(52) **U.S. Cl.**
USPC **D8/98**

(58) **Field of Classification Search**
USPC D8/98, 99, 105
CPC B26B 5/001; B26B 5/003; B26B 11/00;
B26B 1/08; B26B 1/02; B26B 1/10
See application file for complete search history.

(56) **References Cited**

U.S. PATENT DOCUMENTS

6,675,485 B1 * 1/2004 Shih B26B 1/10
30/321
D563,755 S * 3/2008 Wu D8/99

D624,386 S * 9/2010 van Deursen D8/99
8,572,850 B2 * 11/2013 Wu B26B 5/005
30/125
2008/0289190 A1 * 11/2008 Jennings B26B 1/02
30/155
2009/0101076 A1 * 4/2009 Khubani A01K 13/002
119/611
2012/0304472 A1 * 12/2012 Medhurst B26B 1/04
30/162
2014/0041238 A1 * 2/2014 Gilbert B26B 1/02
30/321
2014/0144028 A1 * 5/2014 Gilbert B26B 1/10
30/321

* cited by examiner

Primary Examiner — Philip S Hyder

(74) *Attorney, Agent, or Firm* — Blank Rome LLP

(57) **CLAIM**

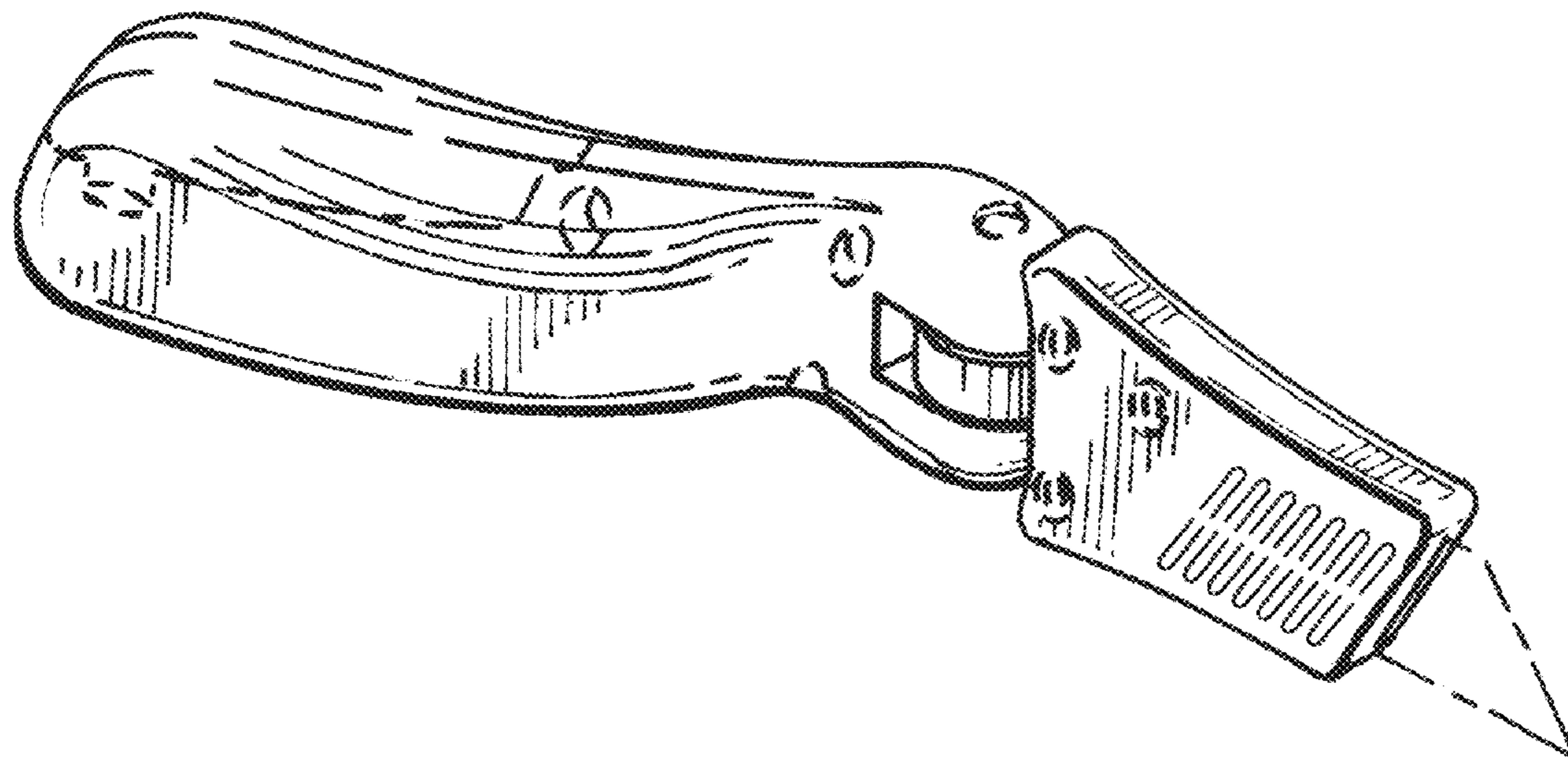
The ornamental design for a utility knife, as shown and
described.

DESCRIPTION

FIG. 1 is a perspective view of an embodiment of a utility
knife of our design;
FIG. 2 is a front view thereof;
FIG. 3 is a rear view thereof;
FIG. 4 is a top view thereof;
FIG. 5 is a bottom view thereof;
FIG. 6 is a right-side view thereof; and,
FIG. 7 is a left-side view thereof.

The broken lines depict portions of the utility knife in which
the design is embodied that are not considered part of the
claimed design. The broken line showing of the blade is
provided for purposes of environment and forms no part of
the claimed design.

1 Claim, 2 Drawing Sheets



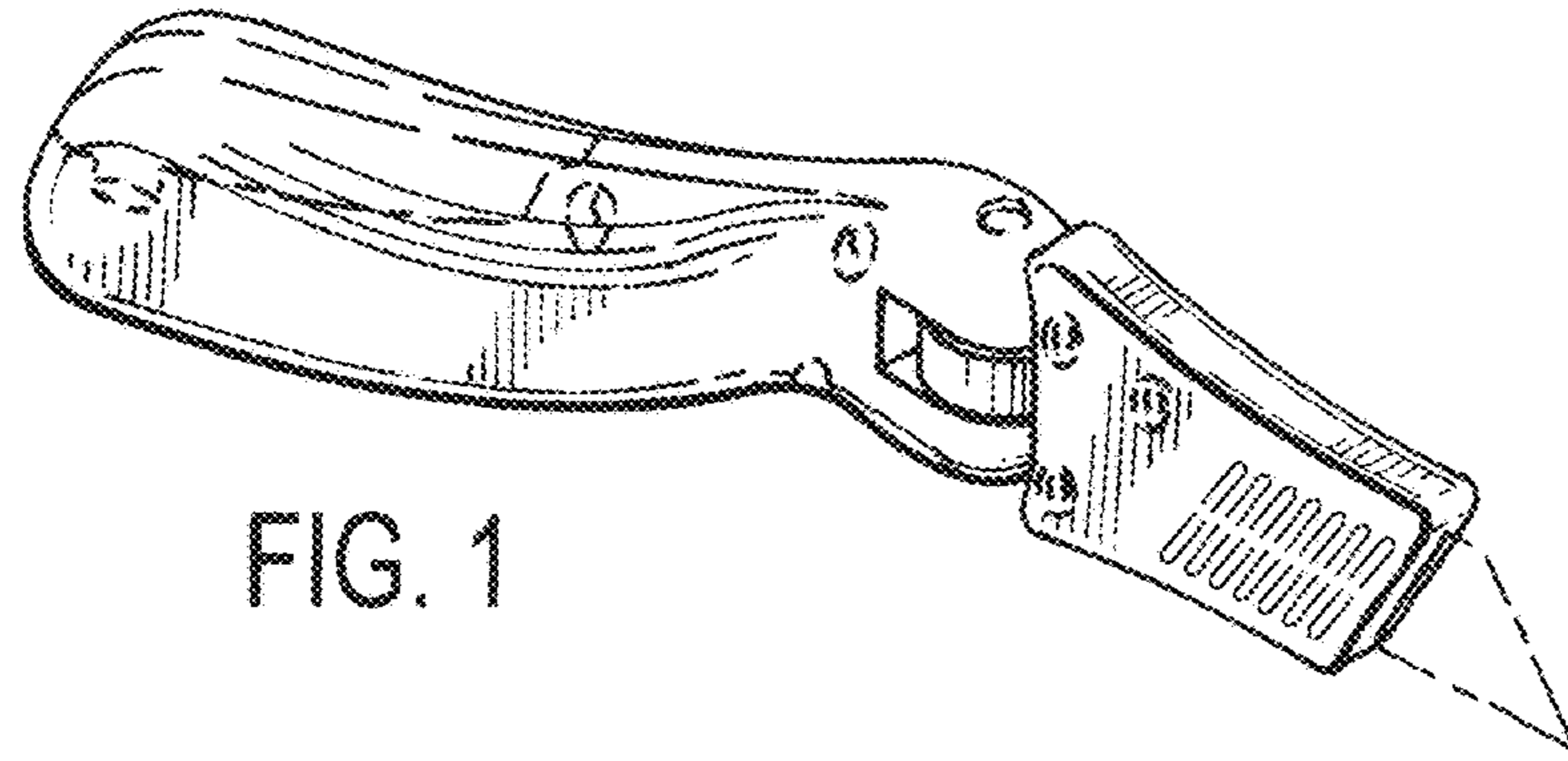


FIG. 1

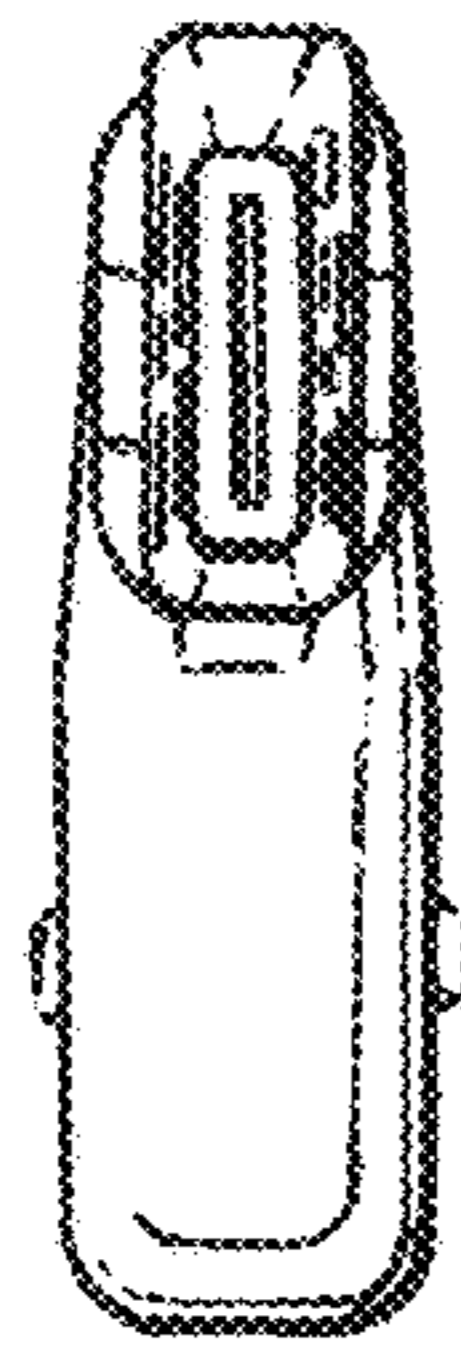


FIG. 2

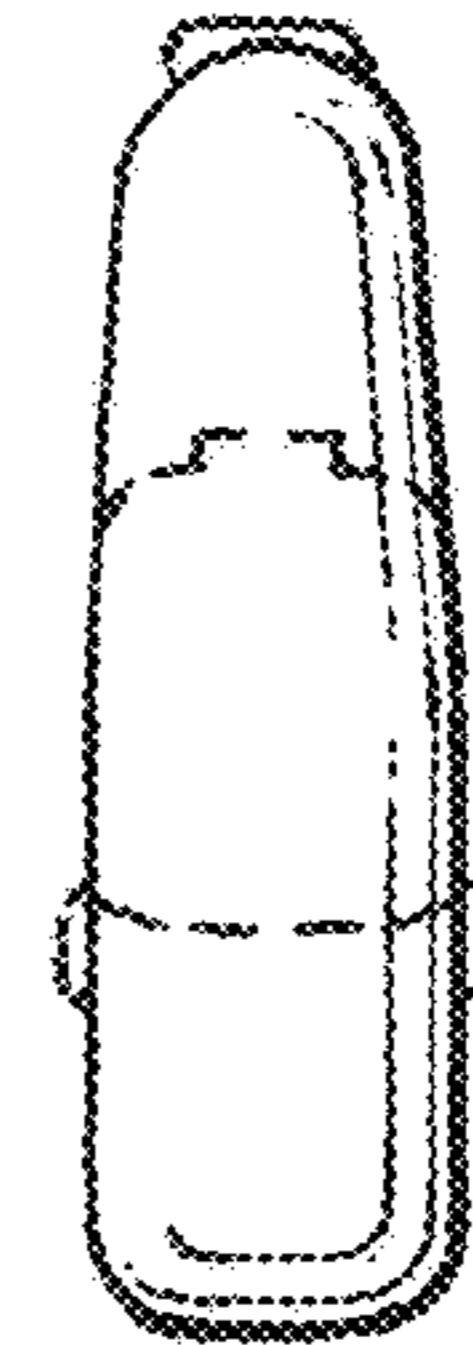


FIG. 3

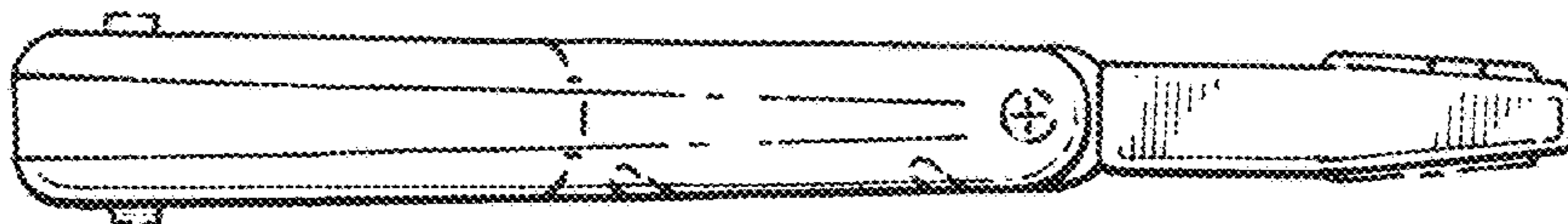


FIG. 4

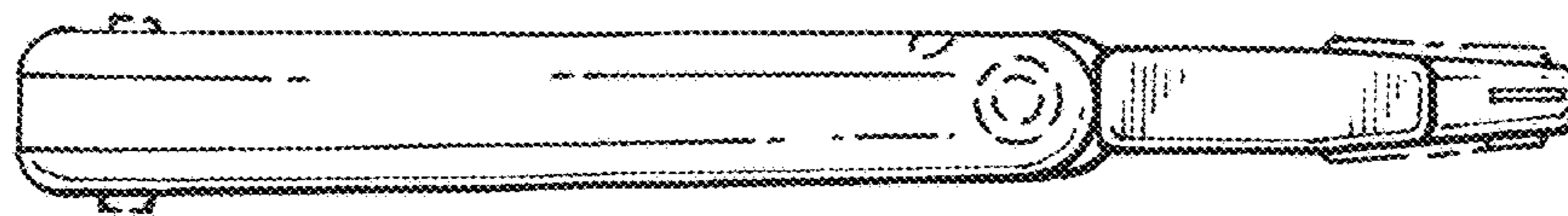


FIG. 5

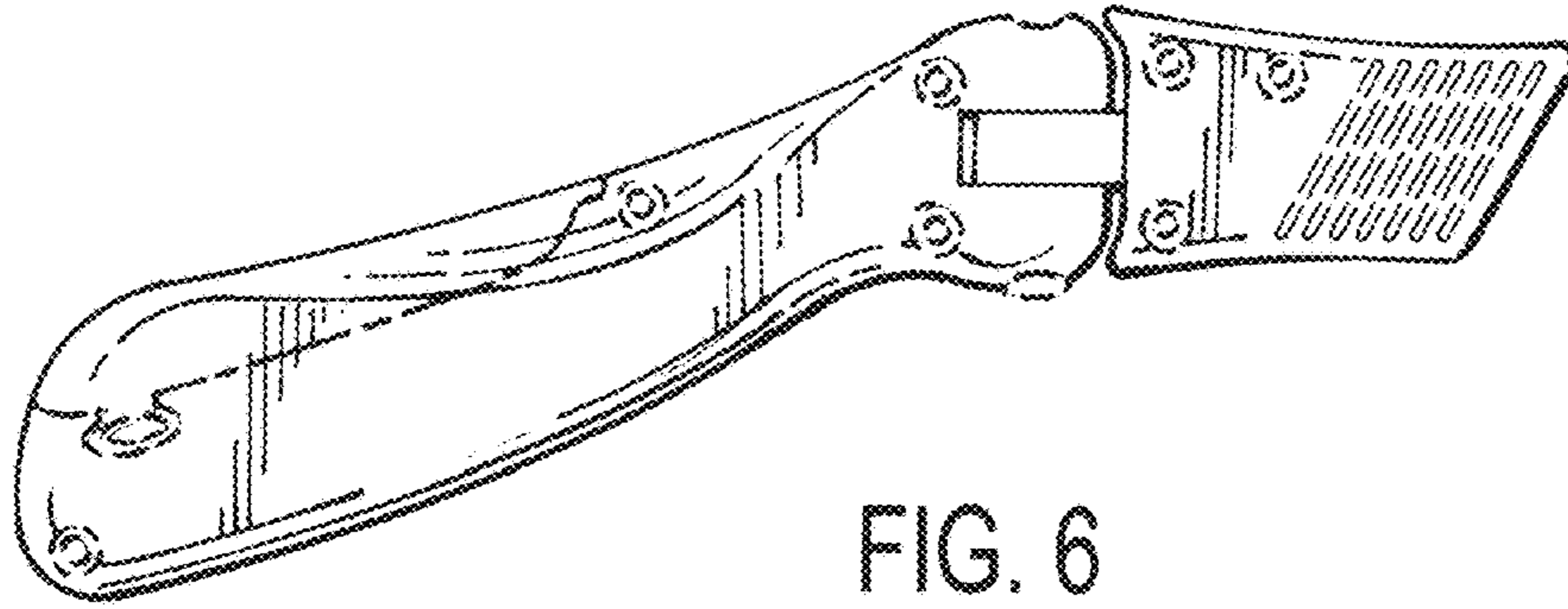


FIG. 6

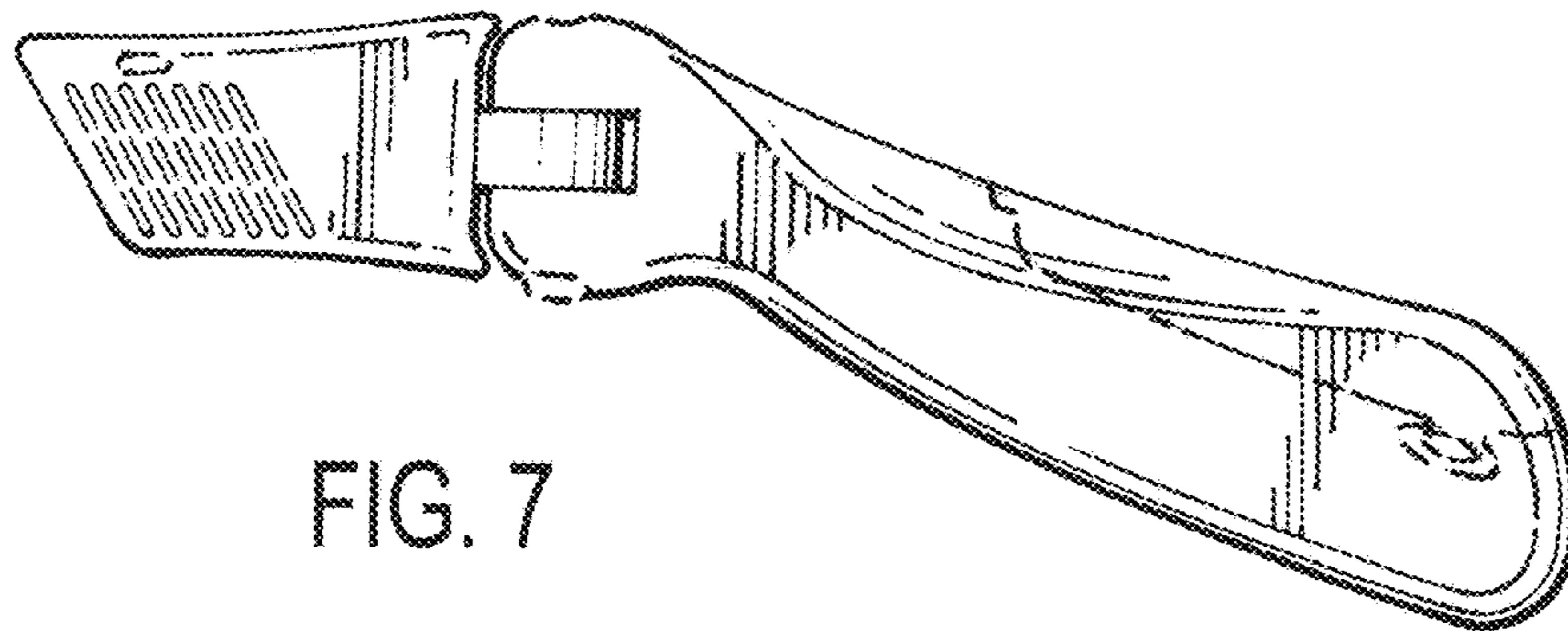


FIG. 7