



US00D846963S

(12) **United States Design Patent** (10) **Patent No.:** **US D846,963 S**
van der Rest et al. (45) **Date of Patent:** **** Apr. 30, 2019**

(54) **HEAT GUN**
(71) Applicant: **WAGNER Spraytech (UK) Ltd.**,
Guildford, Surrey (GB)
(72) Inventors: **Paul van der Rest**, Guildford (GB);
Dan Byne, Angmering (GB); **Philip Paice**,
Hindhead (GB); **Matthias Mazur**, Hamburg (DE);
Heiko Tullney, Hamburg (DE)
(73) Assignee: **Wagner Spraytech (UK) Ltd.**,
Guildford, Surrey (GB)

D296,070 S * 6/1988 Cunningham D28/13
D297,398 S * 8/1988 Pagani D8/29.1
5,349,161 A * 9/1994 Bockholt G05D 23/1913
219/240
D388,297 S * 12/1997 Bittenbender D8/29.1
D481,277 S * 10/2003 Waldron D8/29.1
D516,883 S * 3/2006 Popov D8/29.1
D572,097 S * 7/2008 Yung-Kuan D28/13
D639,129 S * 6/2011 Van Wambeke D8/29.1
D641,220 S * 7/2011 Shi D8/29.1
D655,994 S * 3/2012 Schoch D8/68
D664,820 S * 8/2012 Furling D8/29.1
D703,020 S * 4/2014 Zhu D8/68
D727,706 S * 4/2015 Chen D8/68
D740,629 S * 10/2015 Furling D8/29.1
D746,653 S * 1/2016 Furling D8/29.1
D775,505 S * 1/2017 Koeniger D8/68
D779,903 S * 2/2017 Koeniger D8/68
D787,289 S * 5/2017 Koeniger D8/68

(**) Term: **15 Years**
(21) Appl. No.: **29/611,732**

(22) Filed: **Jul. 25, 2017**

Related U.S. Application Data

(62) Division of application No. 29/567,776, filed on Jun. 13, 2016, now Pat. No. Des. 803,649.

Foreign Application Priority Data

Dec. 14, 2015 (EM) 002908905-0001
Dec. 14, 2015 (EM) 002908905-0002

(51) **LOC (11) Cl.** **08-05**

(52) **U.S. Cl.**
USPC **D8/68; D8/29.1**

(58) **Field of Classification Search**
USPC D8/29.1-29.2, 30, 61, 67, 68; D28/13
CPC A45D 20/08; A45D 20/10; F24H 3/00;
F24H 3/0423; F16M 13/00
See application file for complete search history.

References Cited

U.S. PATENT DOCUMENTS

D283,259 S * 4/1986 Stansbury, Jr. D28/13
D293,020 S * 12/1987 Steinel D23/332

(Continued)

Primary Examiner — Darlington Ly

(74) Attorney, Agent, or Firm — Burr & Brown, PLLC

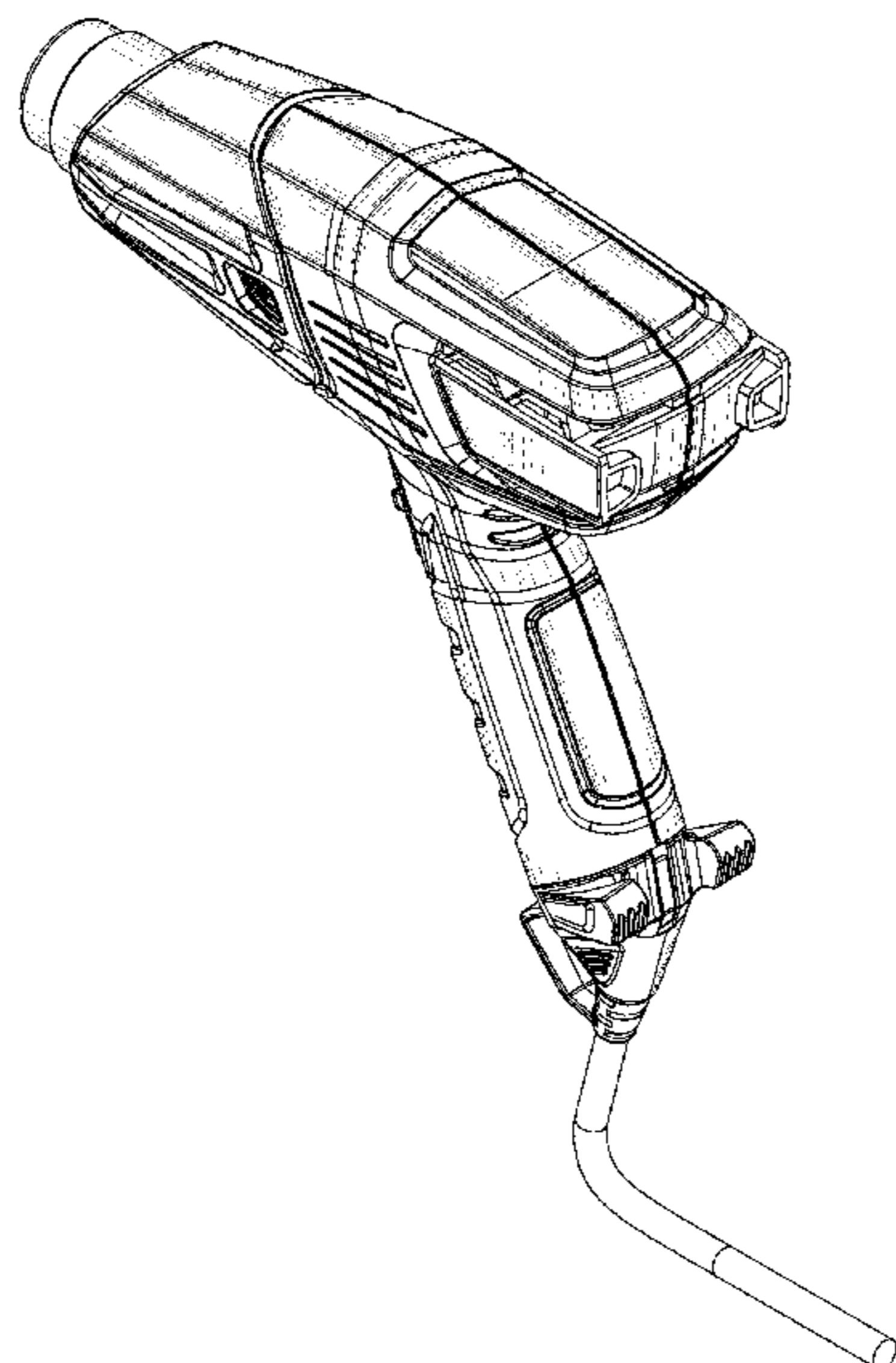
(57) **CLAIM**

The ornamental design for a heat gun, as shown and described.

DESCRIPTION

FIG. 1 is a right side elevation view of a heat gun illustrating our new design;
FIG. 2 is a left side elevation view thereof;
FIG. 3 is a top plan view thereof;
FIG. 4 is a bottom plan view thereof;
FIG. 5 is a front elevation view thereof;
FIG. 6 is a rear elevation view thereof; and,
FIG. 7 is a top, rear and right side perspective view thereof.
The broken lines in the drawings illustrate portions of the heat gun that form no part of the claimed design.

1 Claim, 7 Drawing Sheets



(56)

References Cited

U.S. PATENT DOCUMENTS

D790,940 S * 7/2017 Dill D8/68
2010/0065545 A1* 3/2010 Chung F24H 3/0423
219/227

* cited by examiner

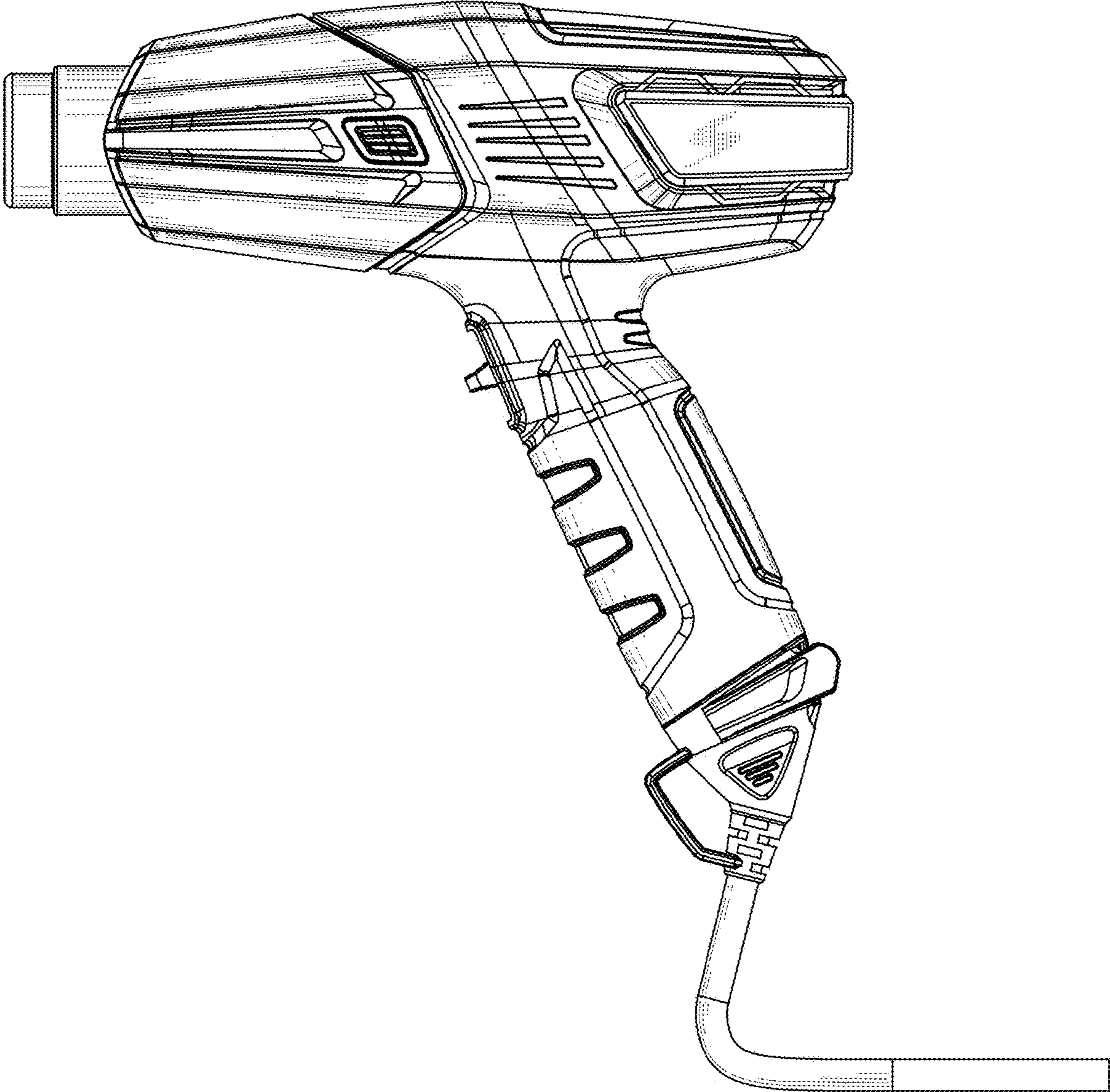


Fig. 1

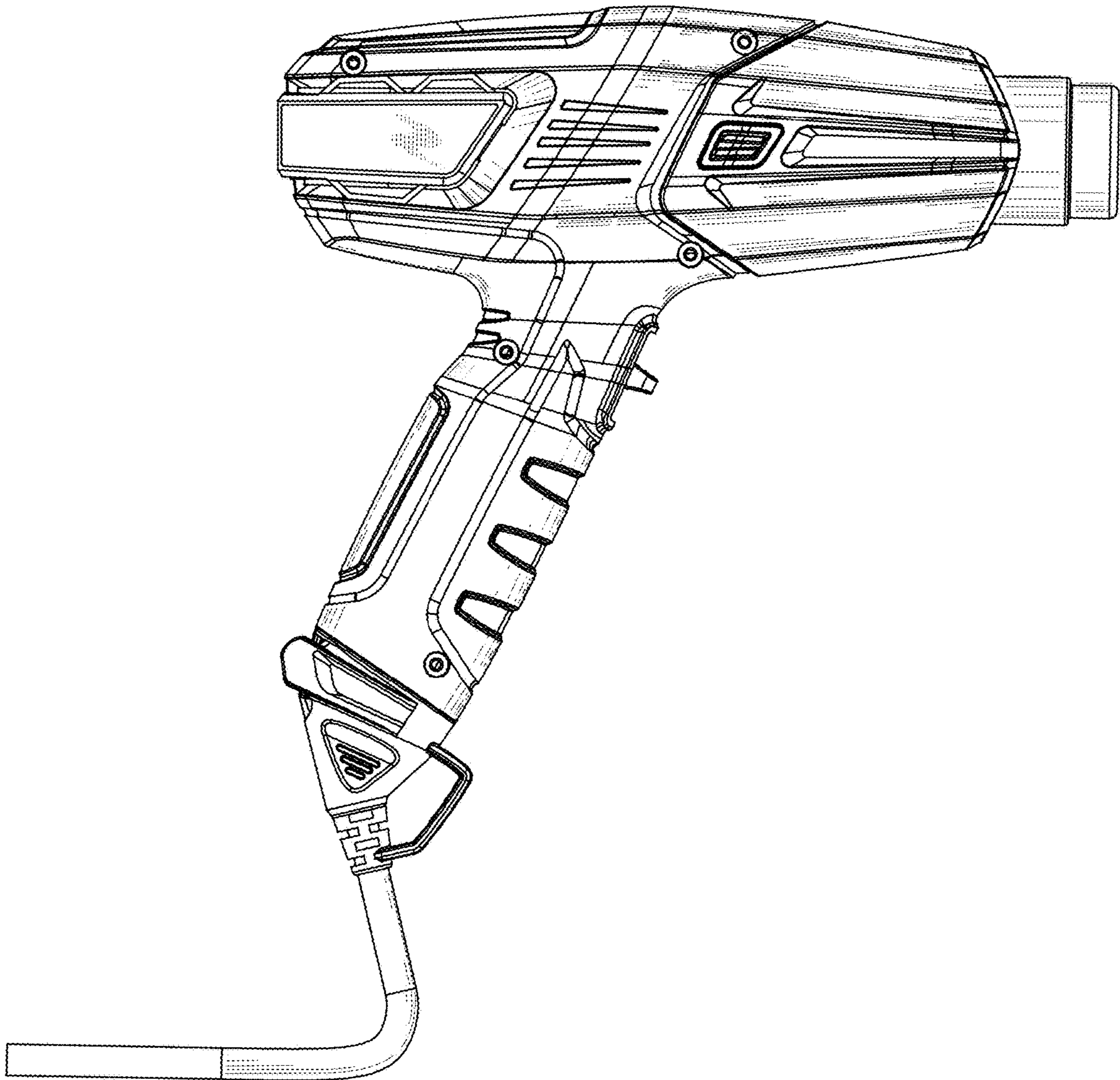


Fig. 2

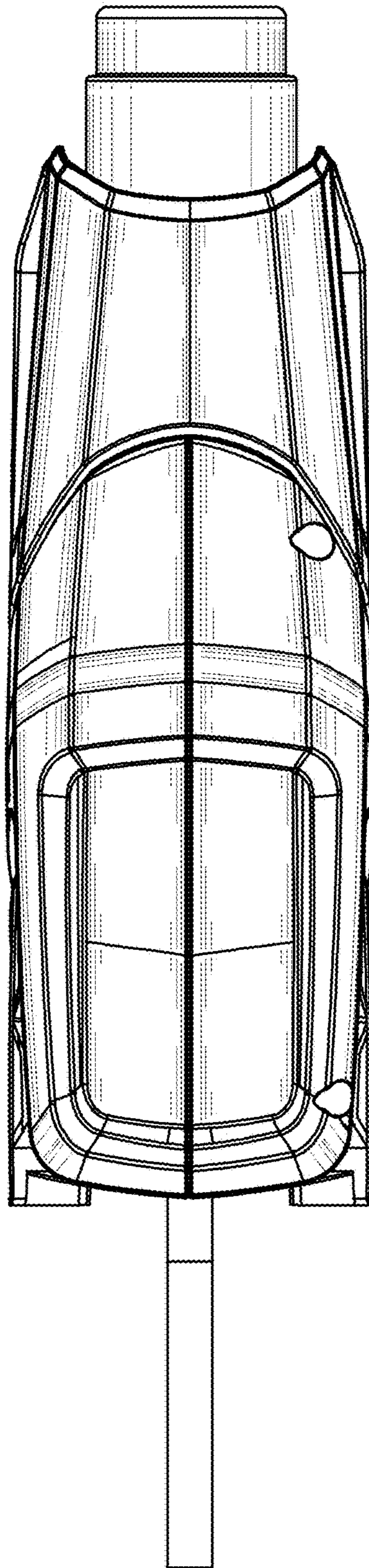


Fig. 3

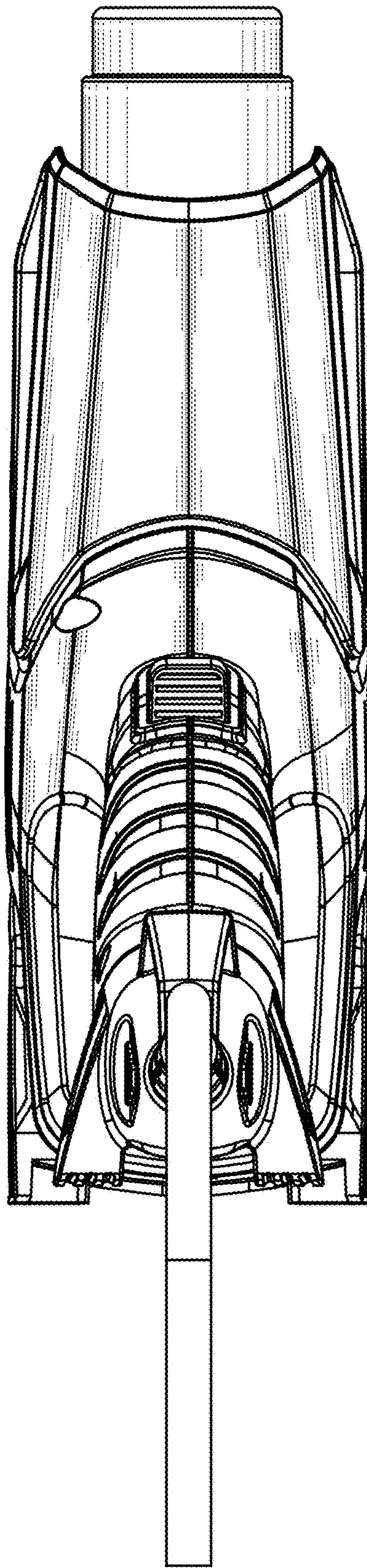


Fig. 4

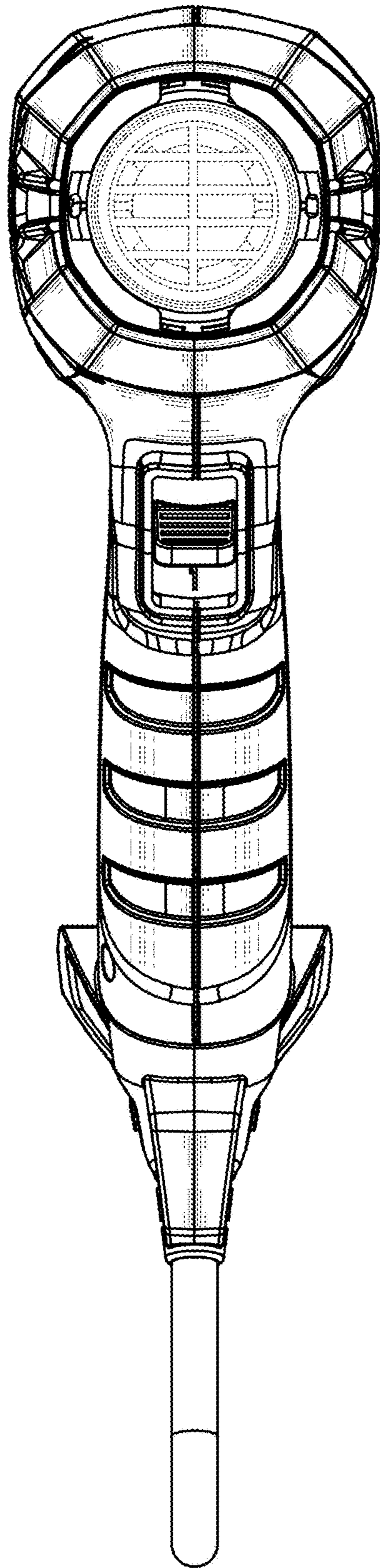


Fig. 5

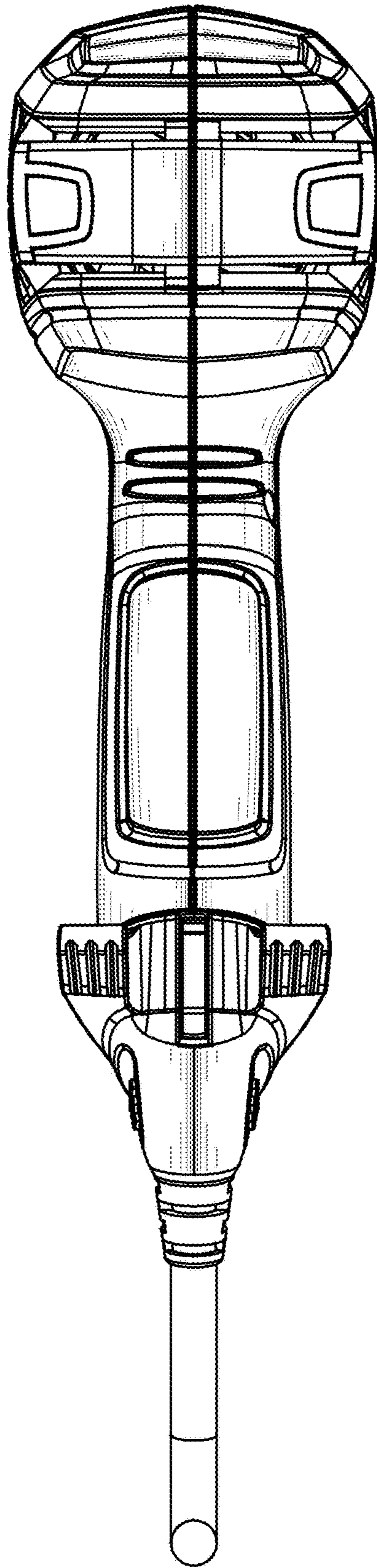


Fig. 6

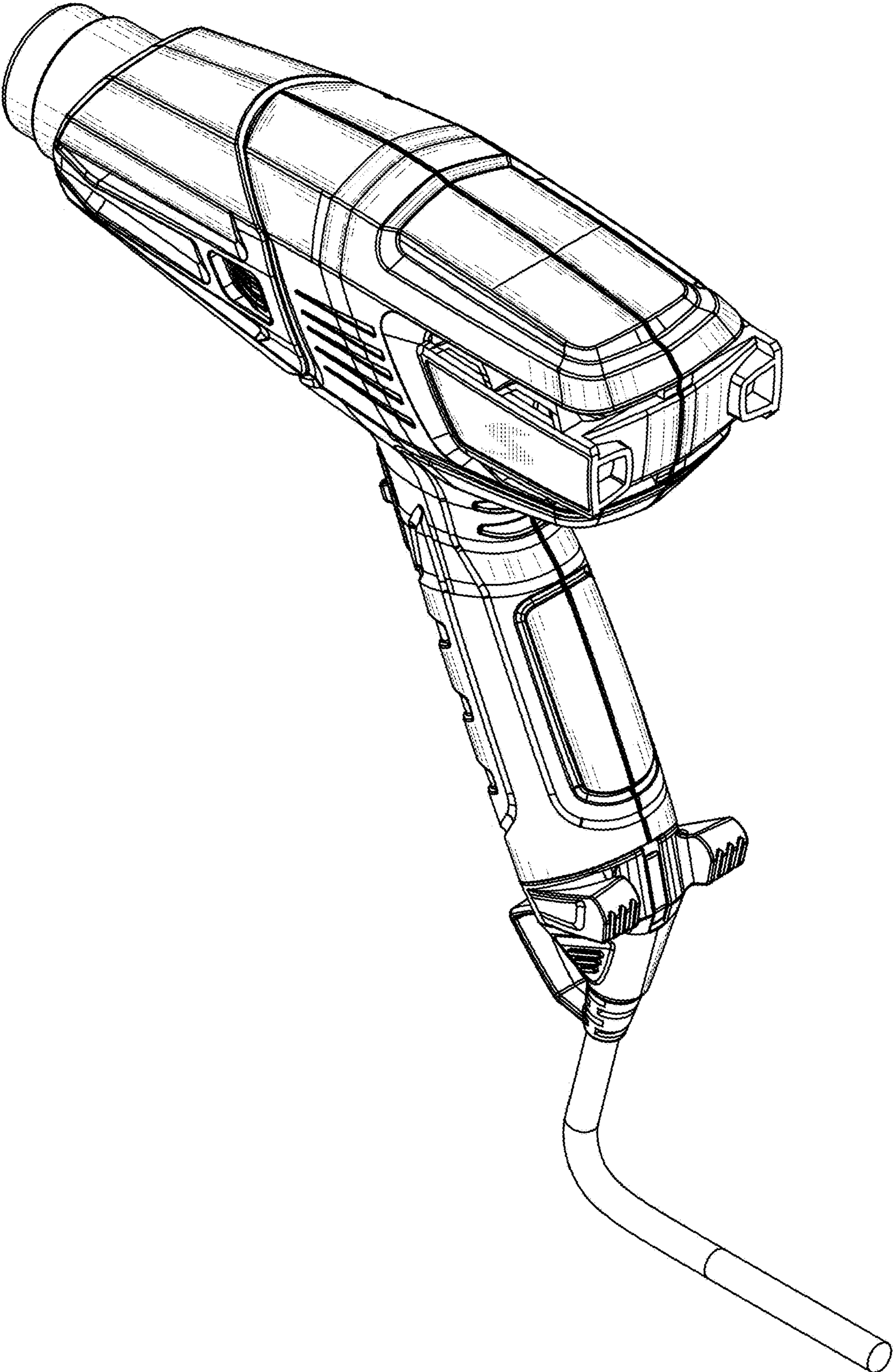


Fig. 7