



US00D846962S

(12) **United States Design Patent**
Schirmacher

(10) **Patent No.:** **US D846,962 S**

(45) **Date of Patent:** **** Apr. 30, 2019**

(54) **SANDING AND POLISHING MACHINE**

(71) Applicant: **Festool GmbH**, Wendlingen (DE)

(72) Inventor: **Roland Schirmacher**, Landsberg am Lech (DE)

(73) Assignee: **FESTOOL GmbH**, Wendlingen (DE)

(**) Term: **15 Years**

(21) Appl. No.: **29/607,375**

(22) Filed: **Jun. 13, 2017**

(30) **Foreign Application Priority Data**

Dec. 13, 2016 (WO) 1671501

(51) **LOC (11) Cl.** **08-03**

(52) **U.S. Cl.**
USPC **D8/62**

(58) **Field of Classification Search**
USPC D8/67, 62, 61, 70; D32/15, 17, 19;
D4/102; 451/456, 451, 359, 358, 357,
451/356, 355, 364, 344; 144/154.5, 373;
30/475

CPC .. B24D 9/00; B24D 5/00; B24B 29/00; B24B
5/00; B25F 5/00

See application file for complete search history.

(56) **References Cited**

U.S. PATENT DOCUMENTS

D329,362 S *	9/1992	Saito	D8/62
D448,262 S *	9/2001	Heun	D8/62
D476,543 S *	7/2003	Wu	D8/62
D478,488 S *	8/2003	Bruno	D8/62
D488,365 S *	4/2004	Liu	D8/62
D503,600 S *	4/2005	Bian	D8/62
D507,731 S *	7/2005	Robson	D8/62
D527,235 S *	8/2006	Aglassinger	D8/62

D528,386 S *	9/2006	Wu	D8/62
D528,886 S *	9/2006	Heun	D8/62
D538,122 S *	3/2007	Etter	D8/62
D548,556 S *	8/2007	Stratford	D8/62
D555,449 S *	11/2007	Waldron	D8/62
D558,017 S *	12/2007	Cooper	D8/62
D559,640 S *	1/2008	Kraus	D8/62
D585,258 S *	1/2009	Nojiri	D8/62
D609,071 S *	2/2010	Yamamoto	D8/62
D632,939 S *	2/2011	Misaki	D8/62
D636,243 S *	4/2011	Liu	D8/62
D644,080 S *	8/2011	Misaki	D8/62
D650,651 S *	12/2011	Misaki	D8/62
D677,541 S *	3/2013	Waldron	D8/62
D679,159 S *	4/2013	Waldron	D8/62
D718,998 S *	12/2014	Tirone	D8/62
9,061,393 B2 *	6/2015	Sugita	B24B 23/03
2005/0085172 A1 *	4/2005	Gansel	B24B 23/04 451/356

* cited by examiner

Primary Examiner — Austin Murphy

(74) *Attorney, Agent, or Firm* — Hoffmann & Baron, LLP

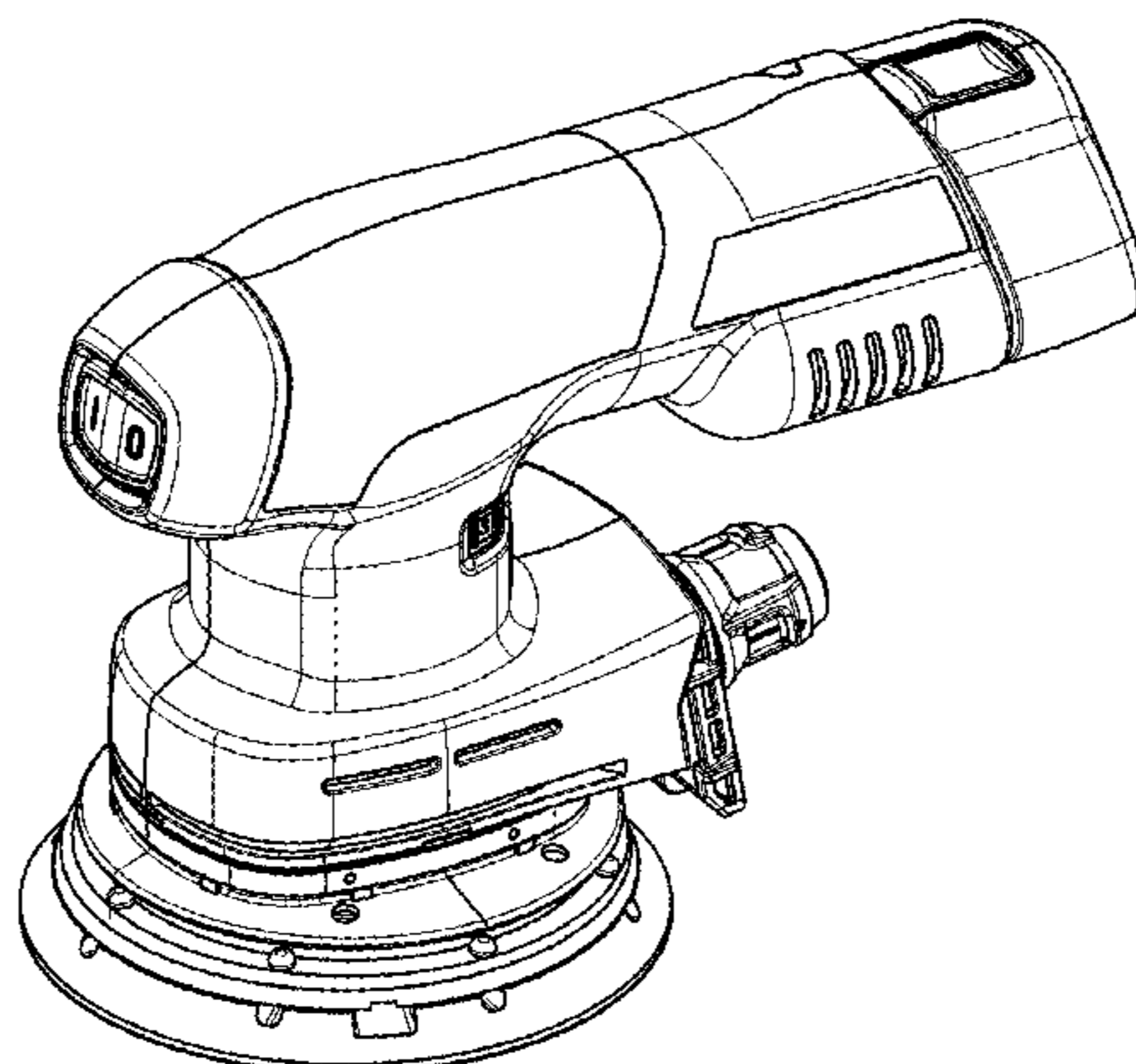
(57) **CLAIM**

The ornamental design for a sanding and polishing machine, as shown and described.

DESCRIPTION

FIG. 1 is a top front perspective view of a sanding and polishing machine showing my new design; FIG. 2 is a left side plan view thereof; FIG. 3 is a right side plan view thereof; FIG. 4 is a front plan view thereof; FIG. 5 is a back plan view thereof; FIG. 6 is a top plan view thereof; and, FIG. 7 is a bottom plan view thereof. The broken lines are included for the purpose of illustrating portions that form no part of the claimed design.

1 Claim, 7 Drawing Sheets



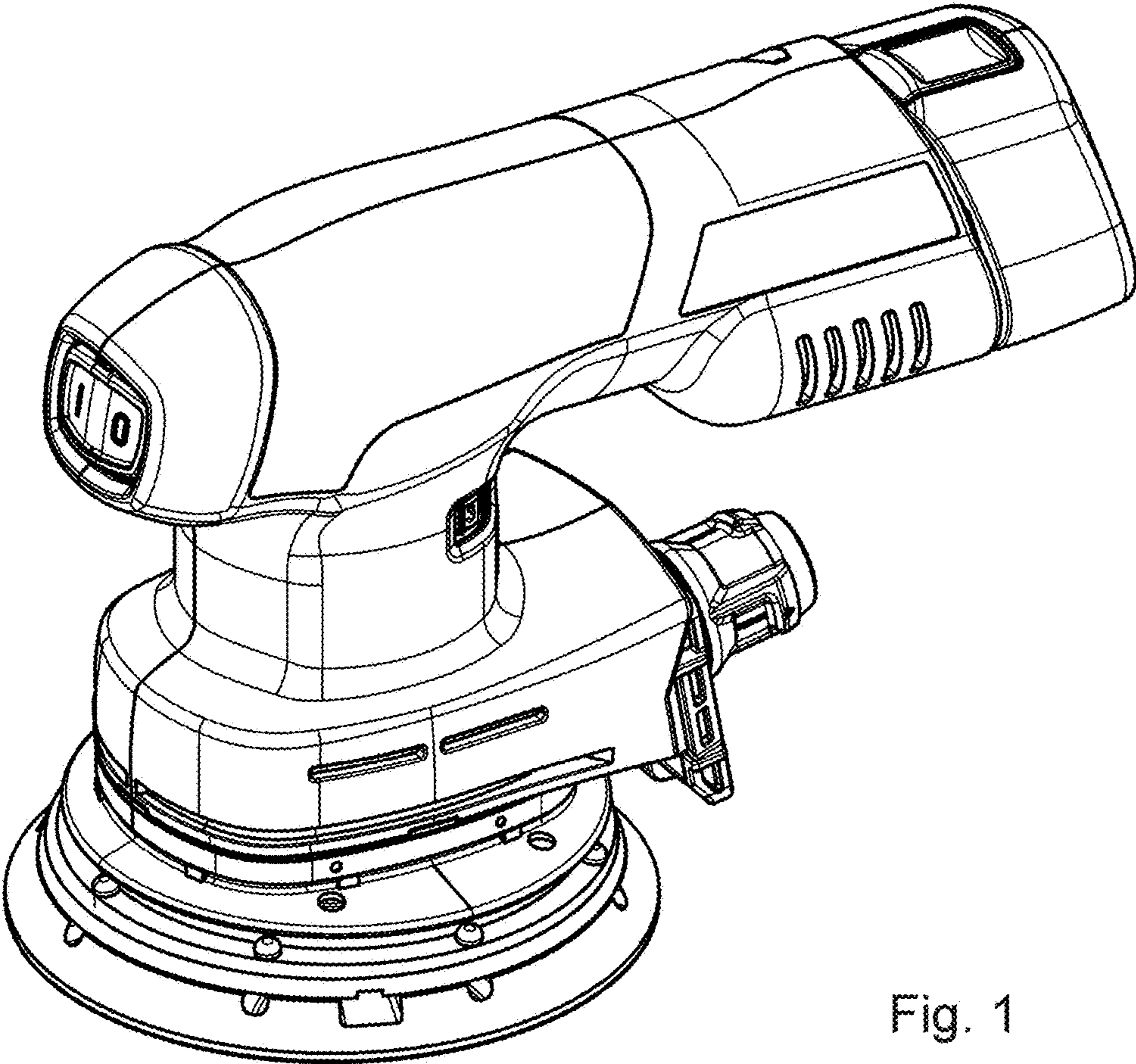


Fig. 1

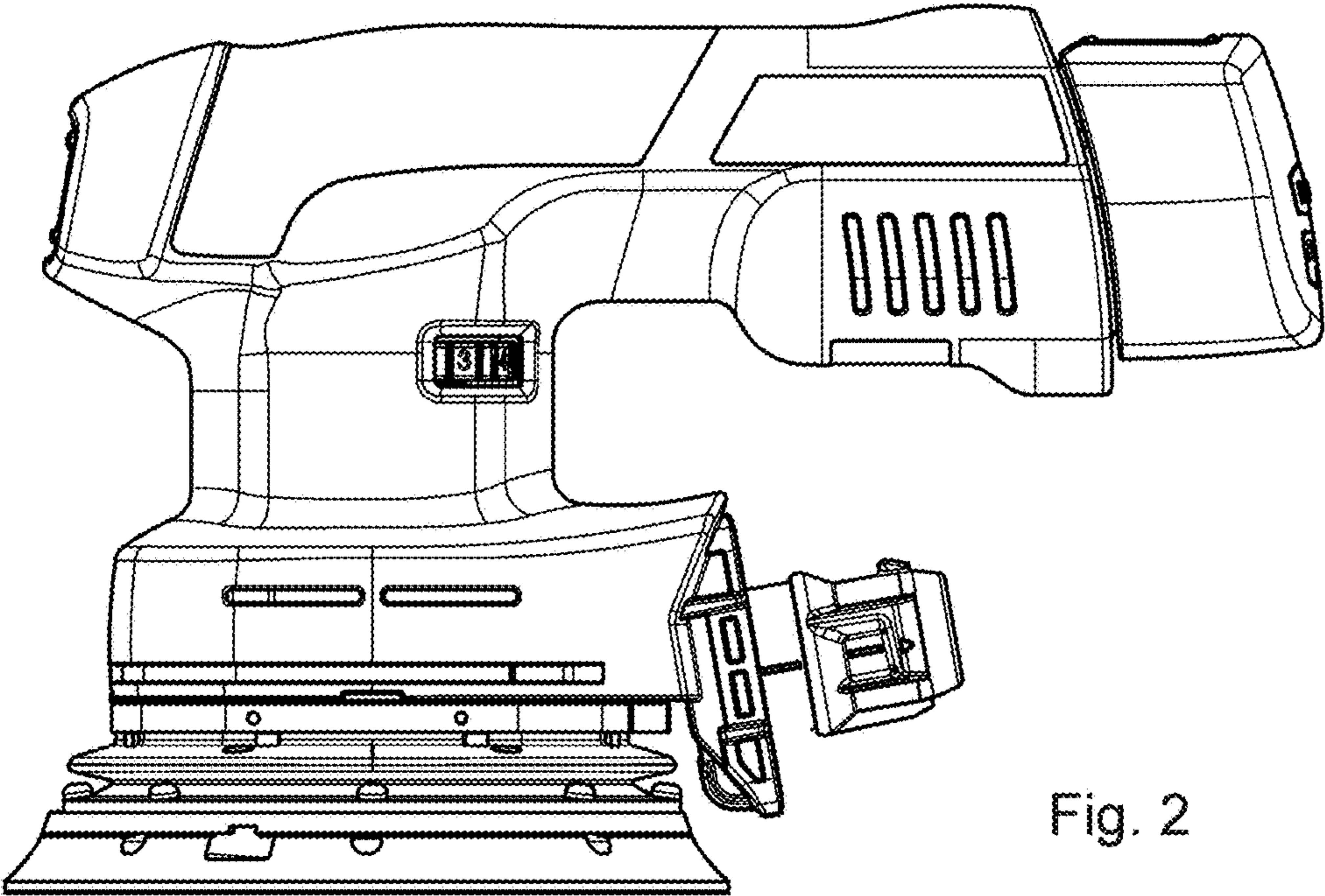


Fig. 2

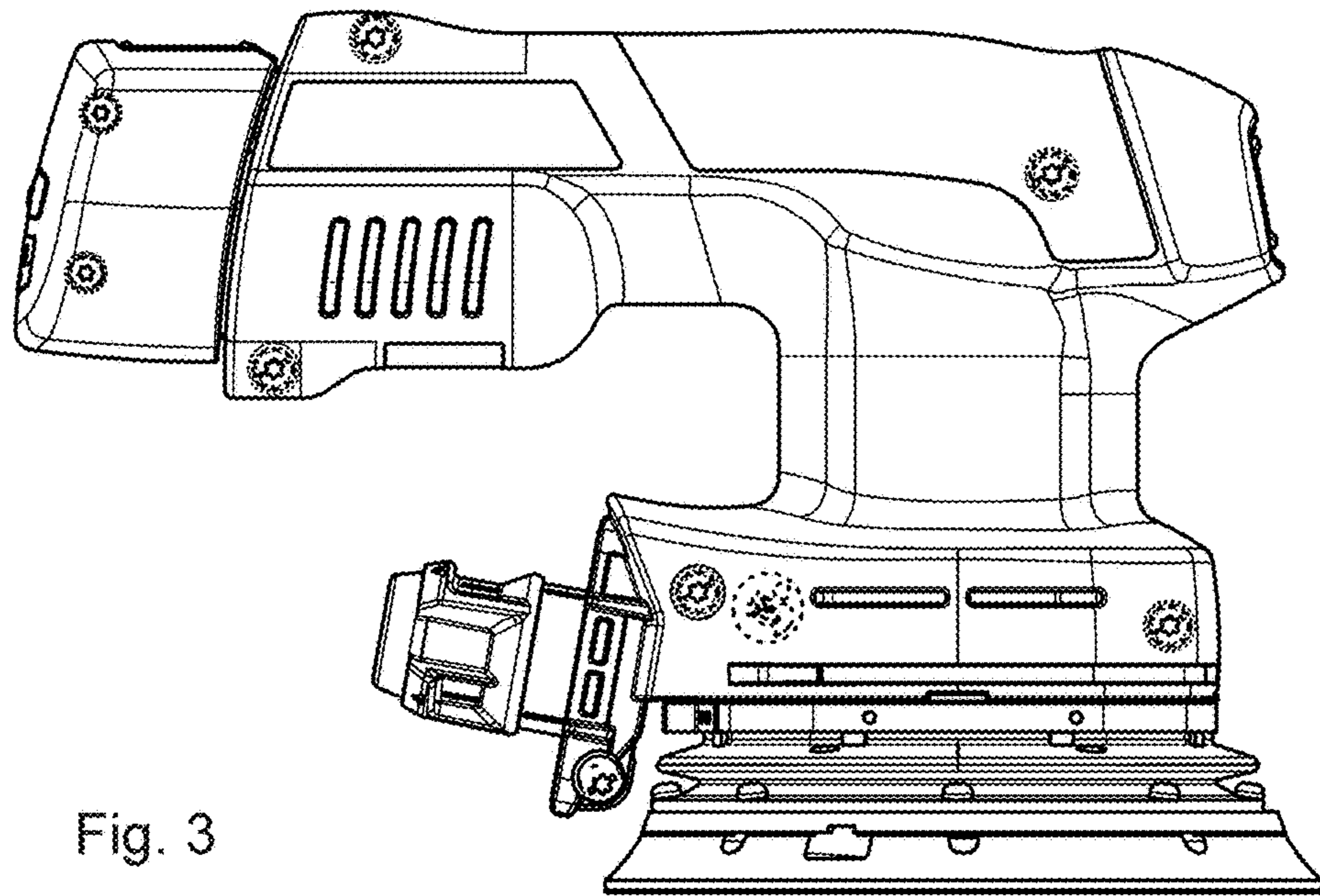


Fig. 3

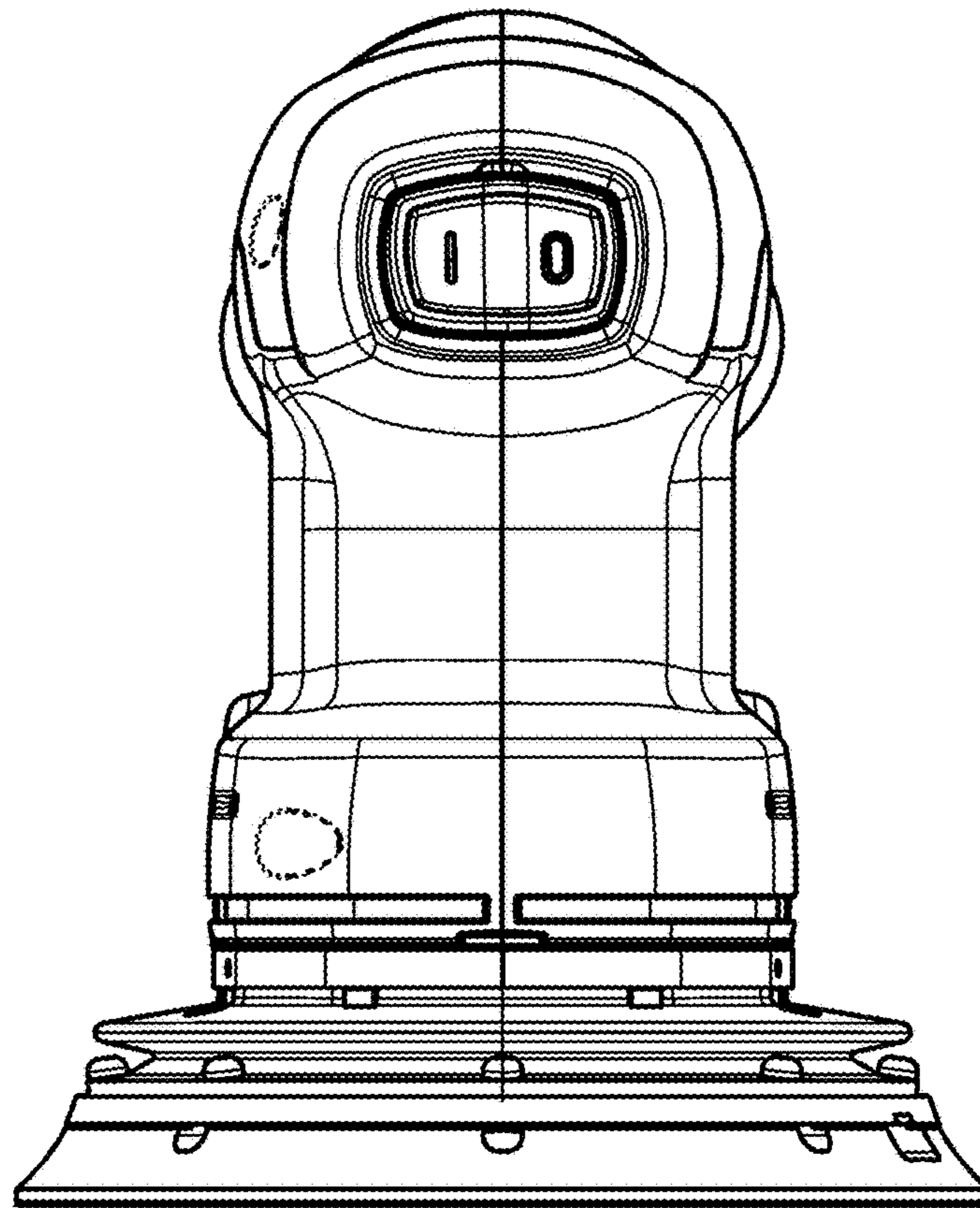


Fig. 4

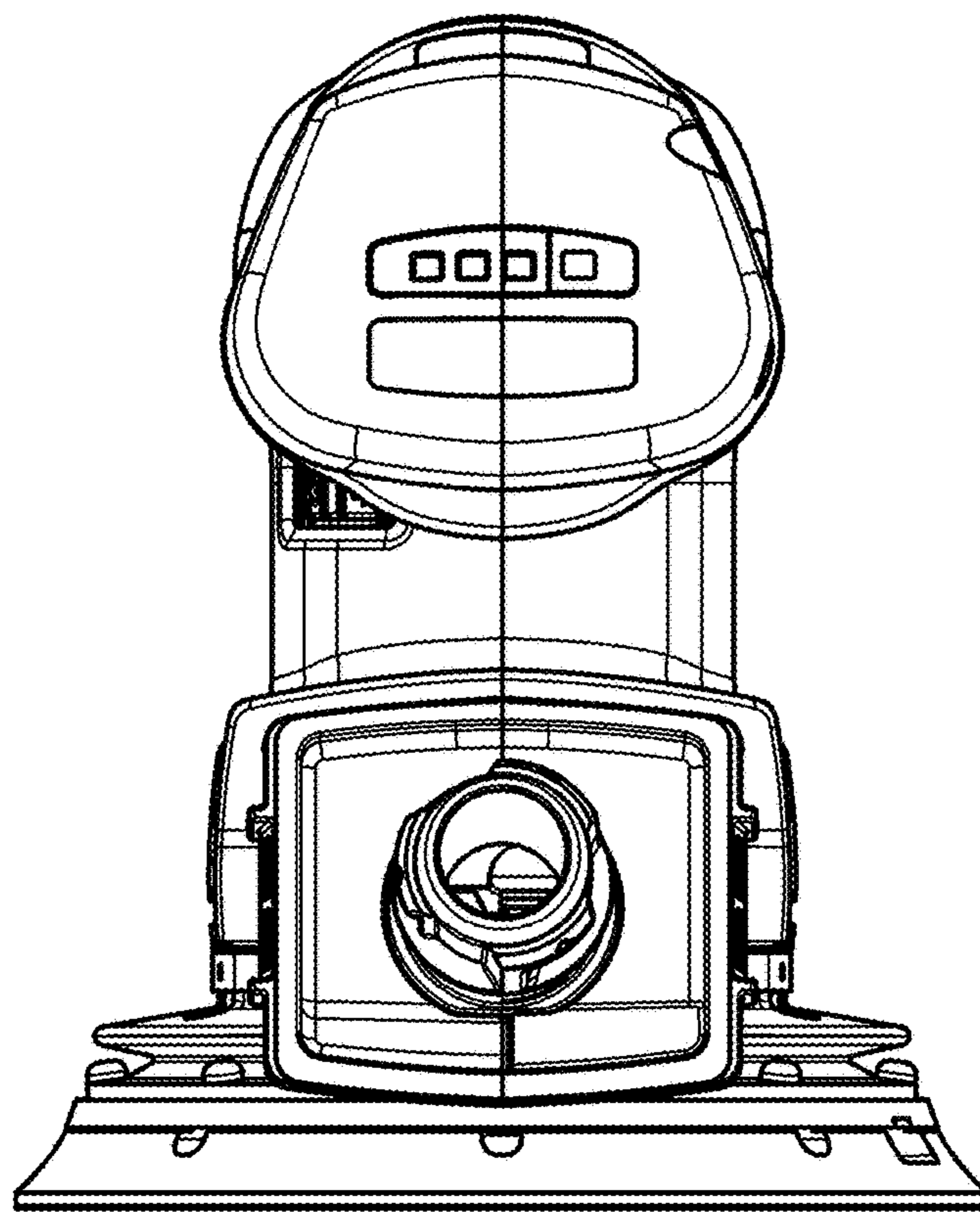


Fig. 5

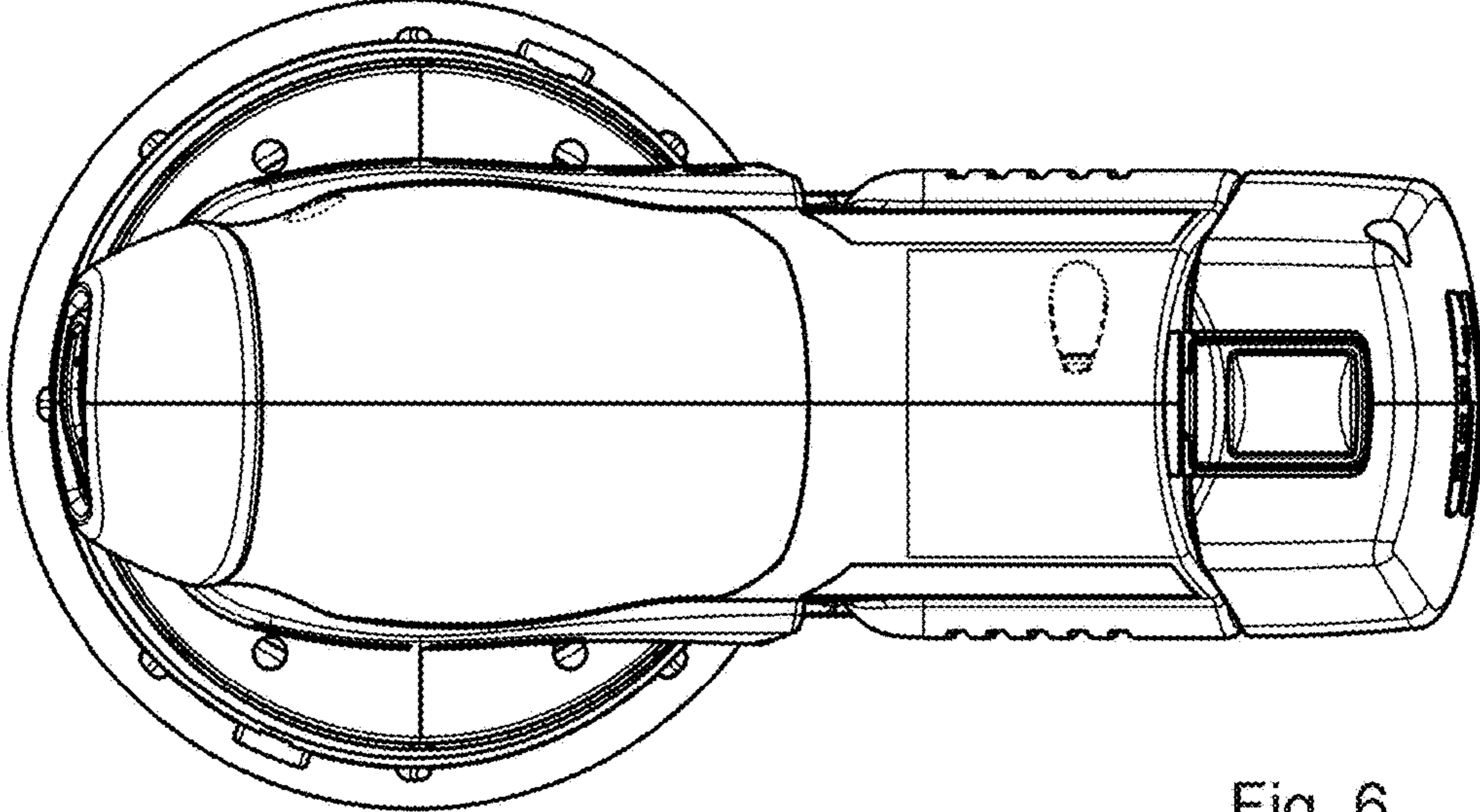


Fig. 6

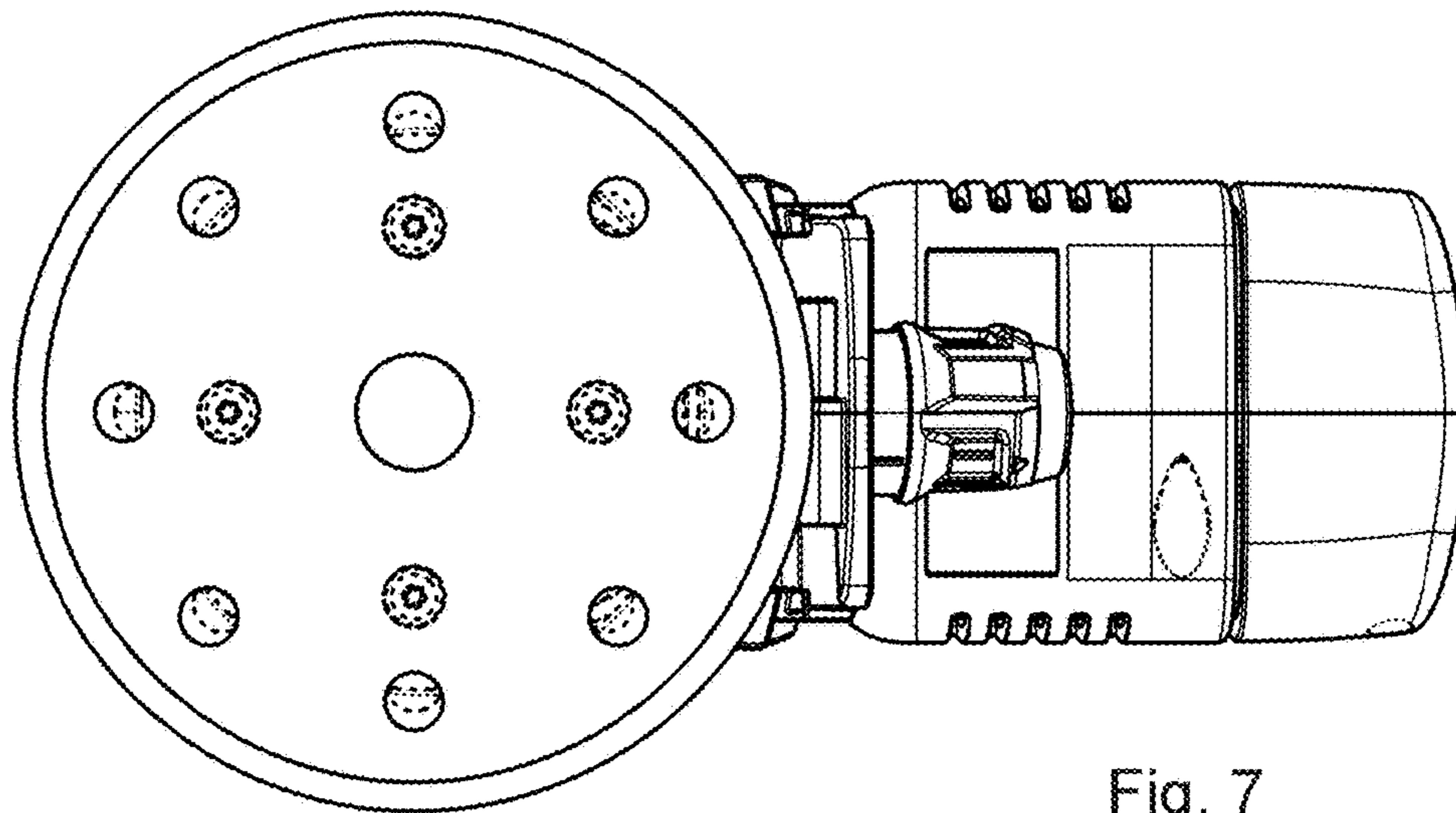


Fig. 7