

US00D846961S

(12) **United States Design Patent**
 Holding et al.

(10) **Patent No.:** **US D846,961 S**

(45) **Date of Patent:** **** Apr. 30, 2019**

- (54) **CAN AND BOTTLE OPENER**
- (71) Applicant: **Joseph Joseph Ltd.**, London (GB)
- (72) Inventors: **Bill Holding**, London (GB); **Ben Cox**, London (GB)
- (73) Assignee: **Joseph Joseph Ltd.**, London (GB)
- (**) Term: **15 Years**
- (21) Appl. No.: **29/633,965**
- (22) Filed: **Jan. 17, 2018**

- 4,754,550 A * 7/1988 Koo B67B 7/34
30/417
- 4,825,554 A * 5/1989 Koo B67B 7/34
30/417
- D303,072 S * 8/1989 Ancona D8/39
- D304,900 S * 12/1989 Miquelot D8/39
- 5,181,322 A * 1/1993 Koo B67B 7/34
30/416
- 5,197,197 A * 3/1993 Himmighofen B67B 7/34
30/260
- 5,430,945 A * 7/1995 Huang B67B 7/34
294/65.5
- D362,379 S * 9/1995 Tekaas D8/39
- 5,581,897 A * 12/1996 Liebscher B67B 7/34
30/416
- D405,332 S * 2/1999 So D8/39
- D406,026 S * 2/1999 So D8/39

(30) **Foreign Application Priority Data**

Jul. 17, 2017 (EM) 004107217-0006

(51) **LOC (11) Cl.** **07-99**

(52) **U.S. Cl.**
USPC **D8/40**

(58) **Field of Classification Search**
USPC D8/18, 33-43, 105, 107, 356, 367, 49,
D8/50; D7/649, 650
CPC B67B 7/00; B67B 7/0423; B67B 7/12;
B67B 7/16; B67B 7/18; B67B 7/32;
B67B 7/34; B67B 7/44
See application file for complete search history.

(56) **References Cited**

U.S. PATENT DOCUMENTS

- 1,466,118 A * 8/1923 Ciha B67B 7/44
30/429
- D266,979 S * 11/1982 Steiner D8/39
- D269,151 S * 5/1983 Schulein D8/39
- 4,509,784 A * 4/1985 Vollers B67B 7/18
294/99.1
- 4,563,818 A * 1/1986 Kreth B67B 7/34
30/417
- D282,521 S * 2/1986 Steinko D8/39
- D292,866 S * 11/1987 Barnett D8/41

(Continued)

Primary Examiner — Elizabeth A. Albert

(74) *Attorney, Agent, or Firm* — Millen, White, Zelano & Branigan, PC

(57) **CLAIM**

The ornamental design for a can and bottle opener, as shown and described.

DESCRIPTION

FIG. 1 is a side view of the can and bottle opener showing my new design.

FIG. 2 is a top view thereof.

FIG. 3 is another side view thereof.

FIG. 4 is a bottom view thereof.

FIG. 5 is another side view thereof.

FIG. 6 is another side view thereof.

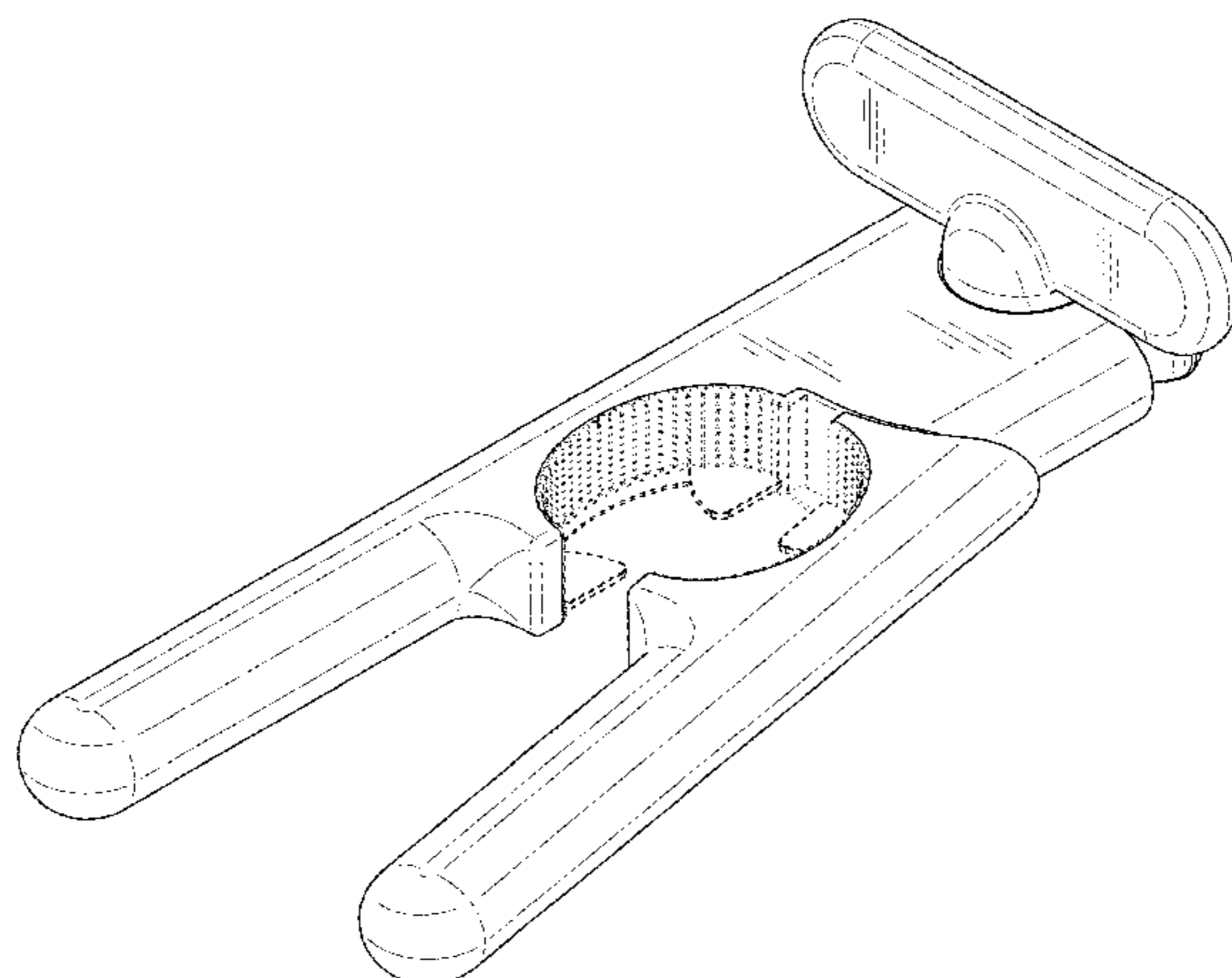
FIG. 7 is a perspective view thereof.

FIG. 8 is another perspective view thereof; and,

FIG. 9 is another perspective view thereof.

The broken lines in the drawings illustrate portions of the can and bottle opener which form no part of the claimed design.

1 Claim, 9 Drawing Sheets



(56)

References Cited

U.S. PATENT DOCUMENTS

D409,888 S * 5/1999 So D8/39
D415,666 S * 10/1999 Ho D8/39
D430,994 S * 9/2000 Kilduff D8/39
D436,508 S * 1/2001 Roberts D8/39
D458,819 S * 6/2002 Levien D8/39
D474,083 S * 5/2003 Lo D8/39
6,675,487 B2 * 1/2004 So B67B 7/34
220/265
D495,571 S * 9/2004 Brousseau D8/39
D537,687 S * 3/2007 Parlowski D8/41
D558,011 S * 12/2007 Bodum D8/41
7,353,607 B2 * 4/2008 So B67B 7/32
30/416
7,409,768 B1 * 8/2008 Chapman B67B 7/34
30/400
D748,960 S * 2/2016 Schuler D8/41
10,125,000 B2 * 11/2018 Kent B67B 7/32
D834,904 S * 12/2018 Ozturk D8/41

* cited by examiner

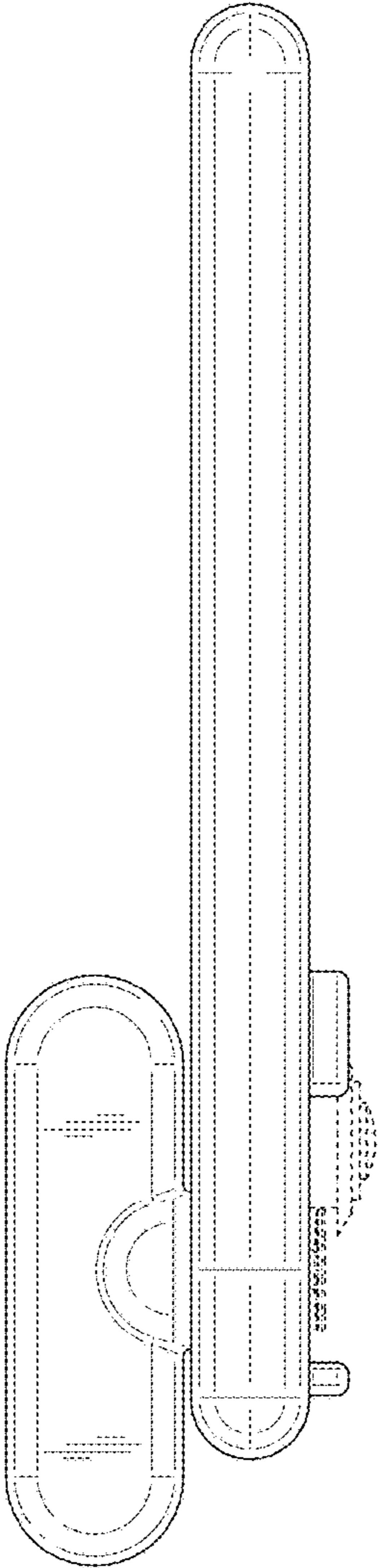


FIG. 1

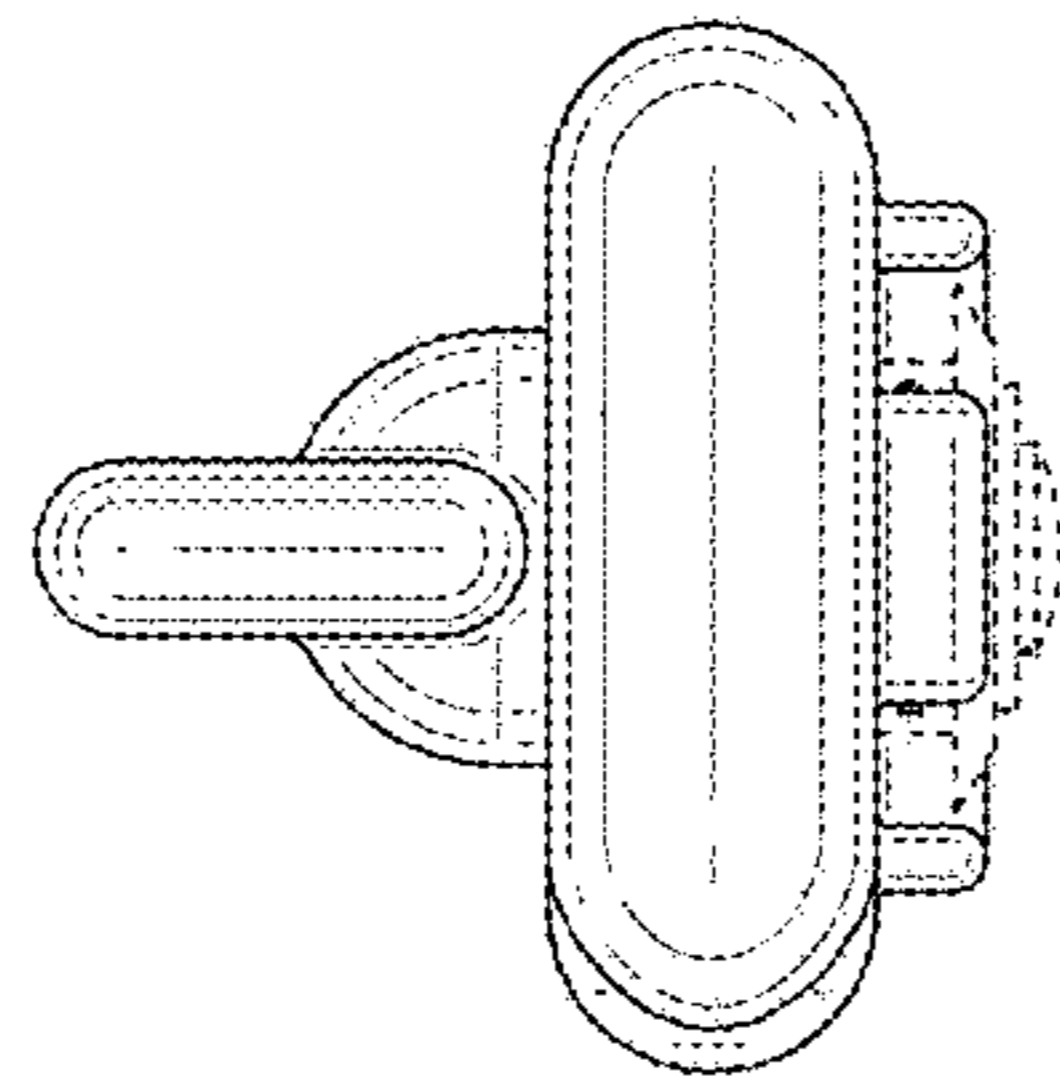


FIG. 2

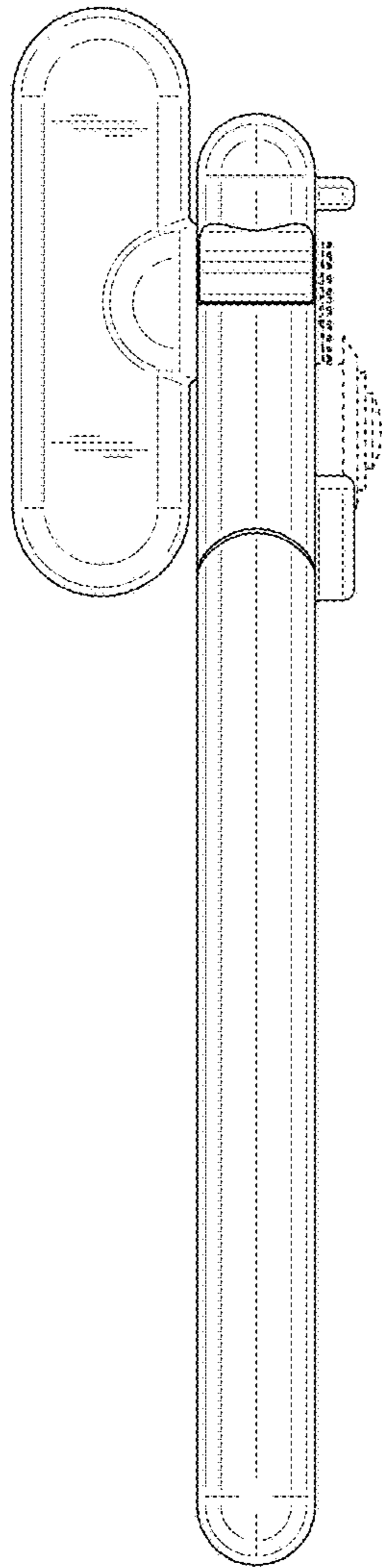


FIG. 3

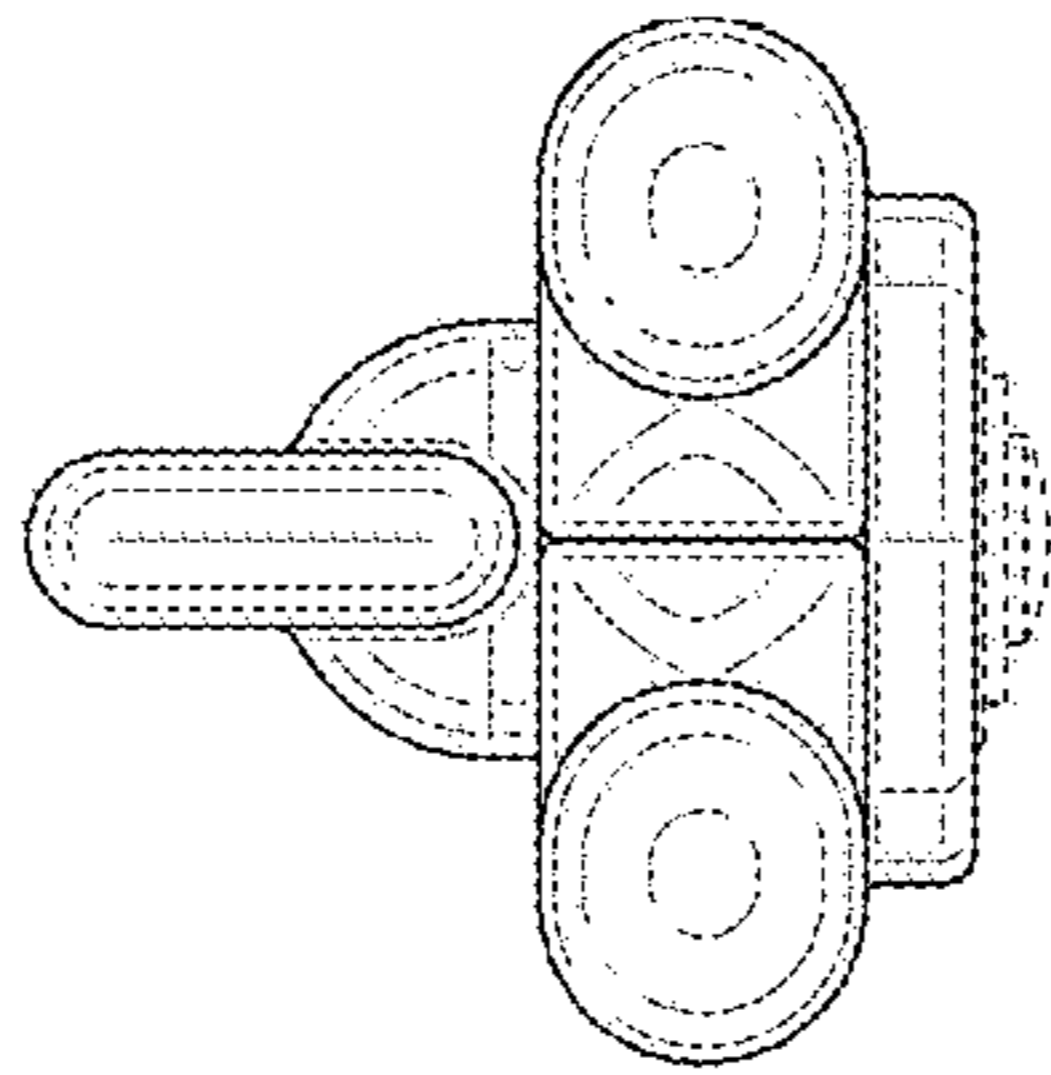


FIG. 4

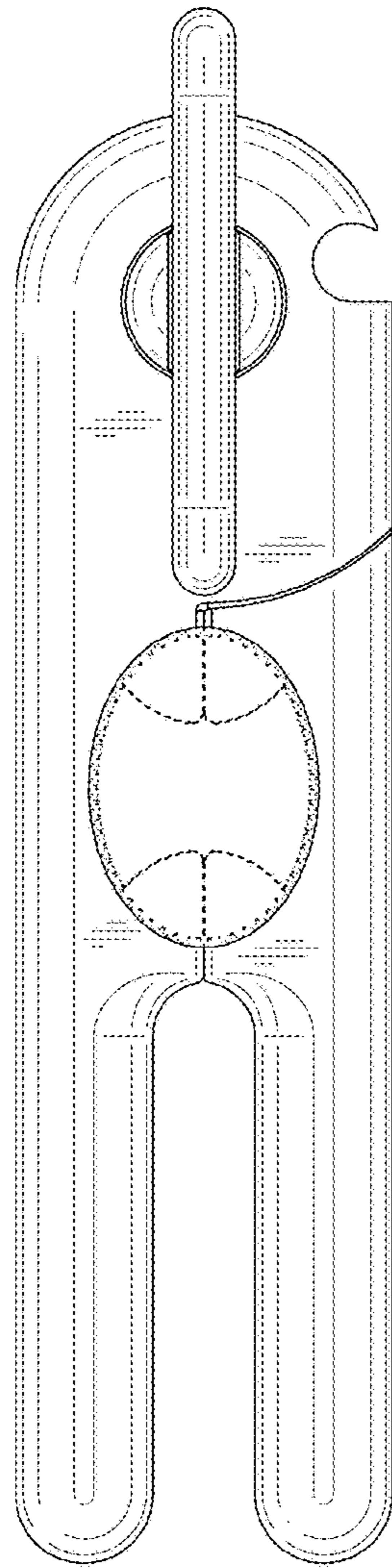


FIG. 5

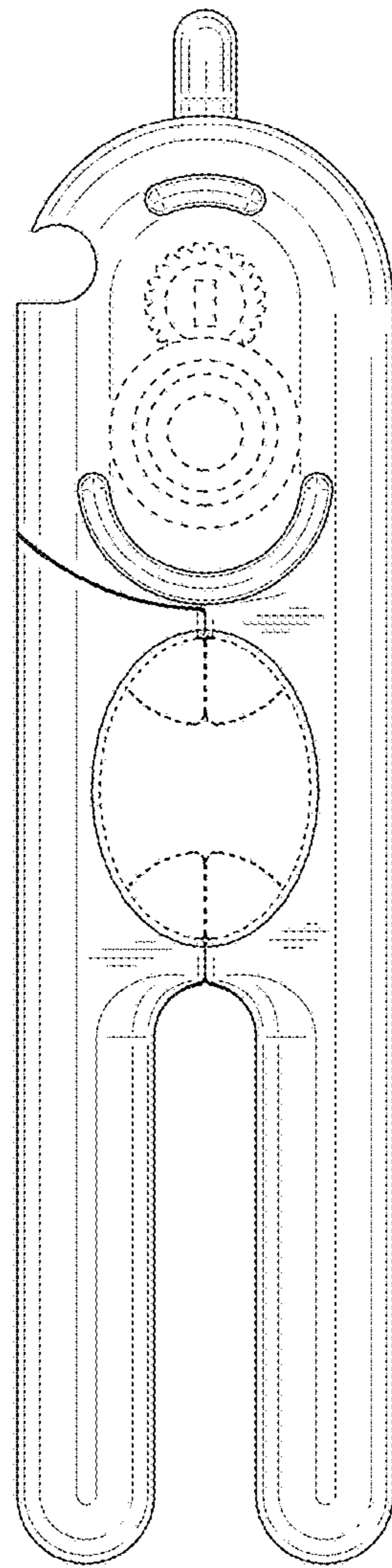


FIG. 6

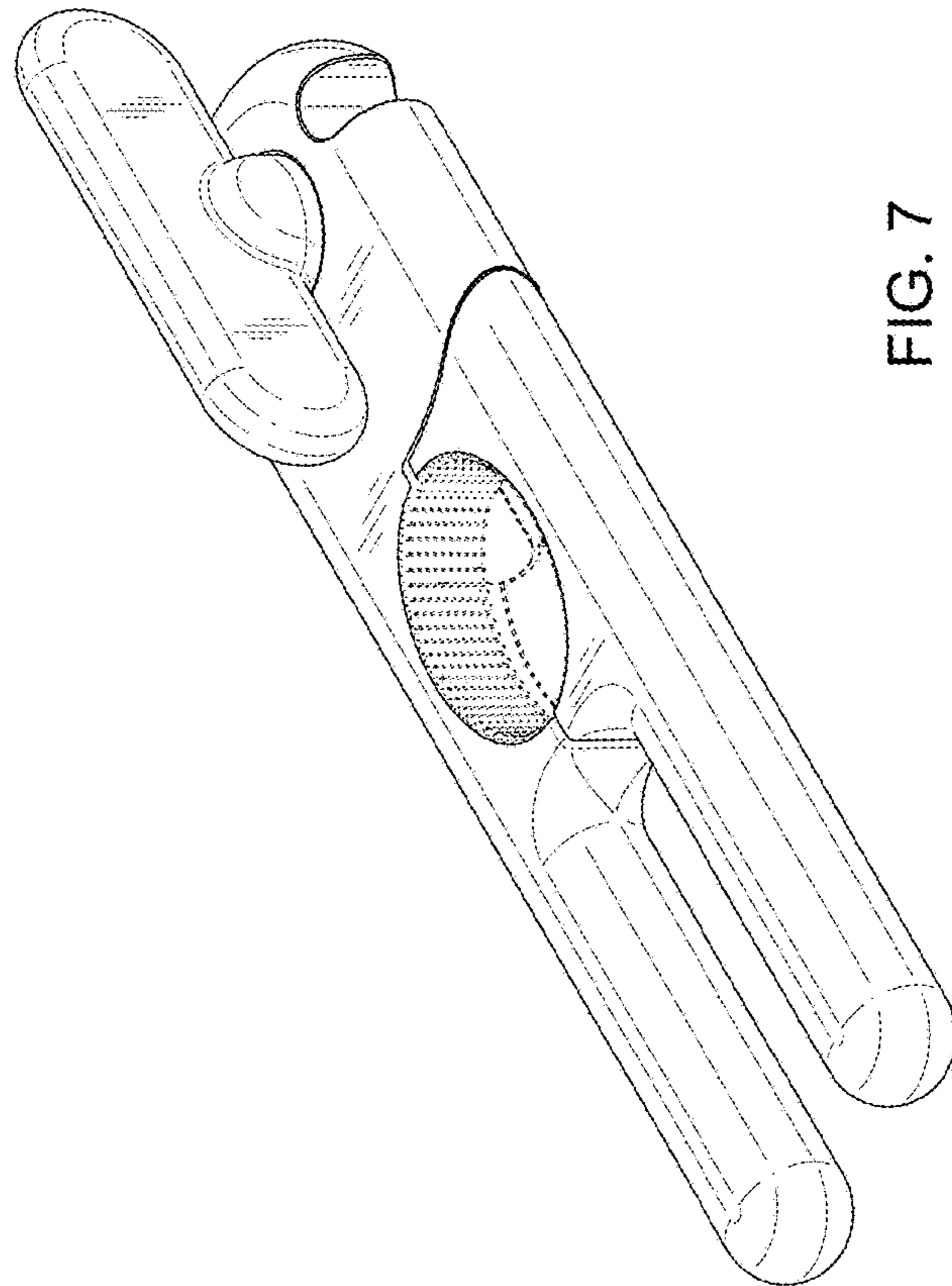


FIG. 7

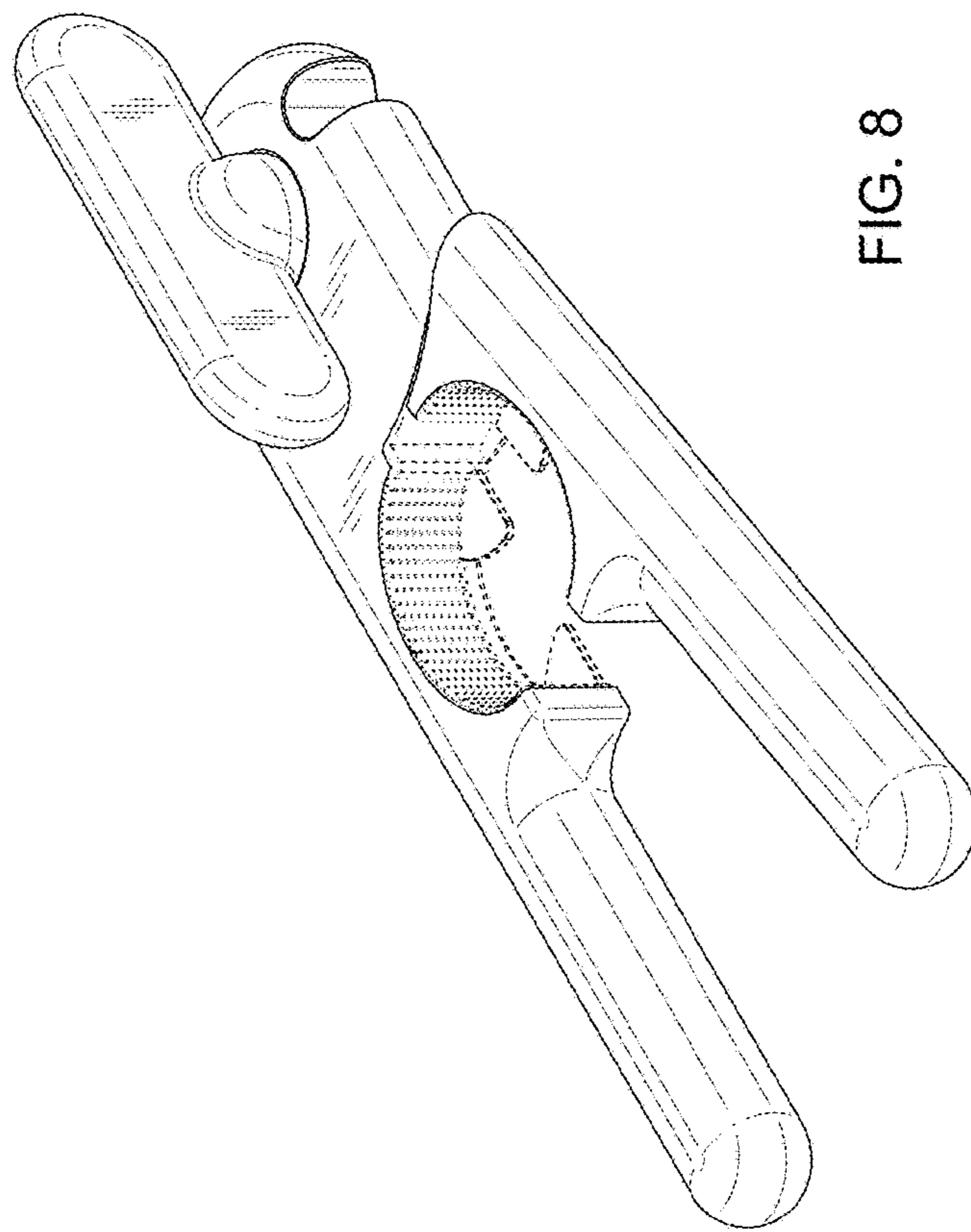


FIG. 8

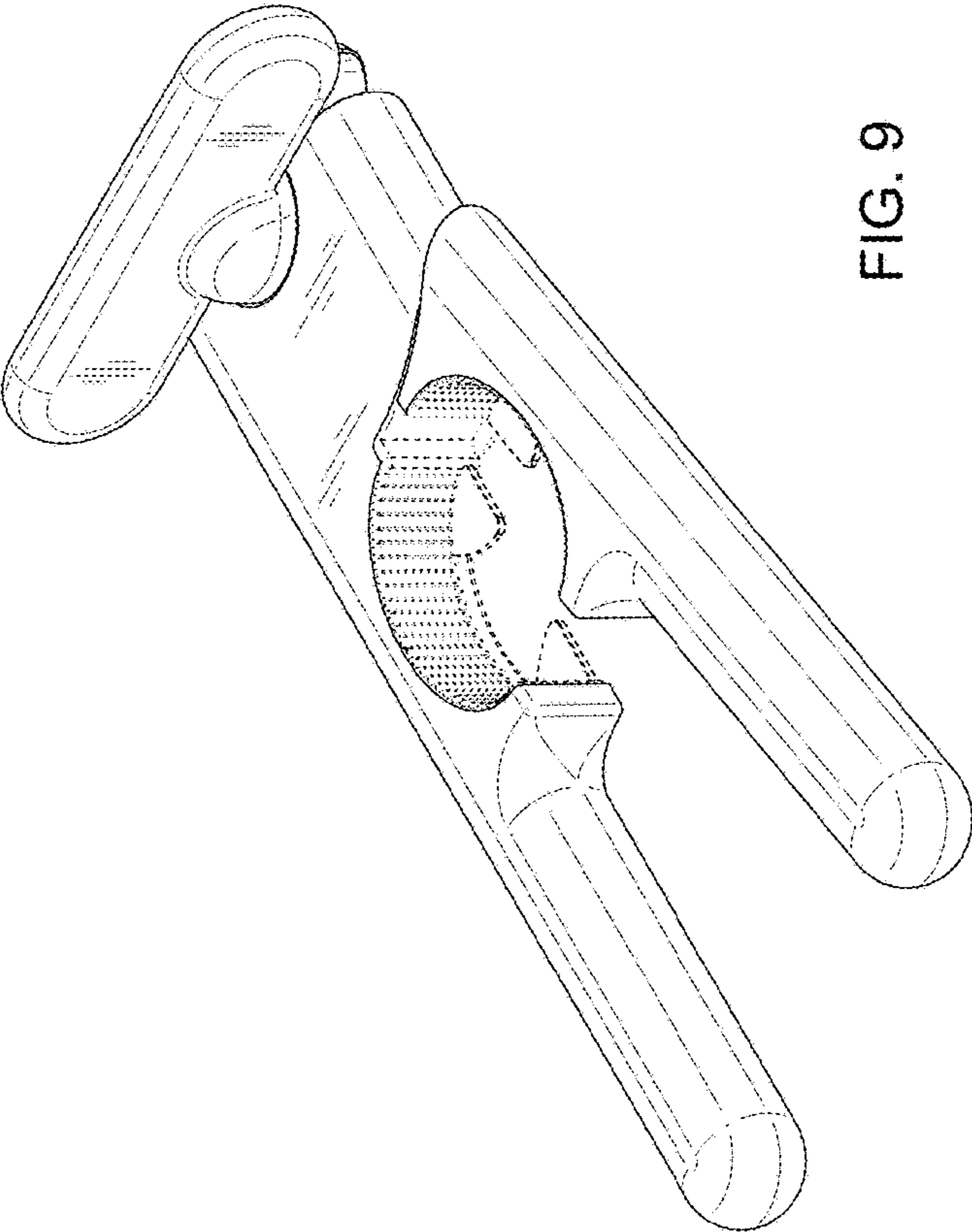


FIG. 9