



US00D846960S

(12) **United States Design Patent**  
**Tinius**

(10) **Patent No.:** **US D846,960 S**

(45) **Date of Patent:** **\*\* Apr. 30, 2019**

(54) **BATTERY POWERED HEDGE TRIMMER**

(71) Applicant: **Andreas Stihl AG & Co. KG,**  
Waiblingen (DE)

(72) Inventor: **Michael Tinius,** Ulm (DE)

(73) Assignee: **Andreas Stihl AG & Co. KG,**  
Waiblingen (DE)

(\*\*) Term: **15 Years**

(21) Appl. No.: **29/586,355**

(22) Filed: **Dec. 2, 2016**

(30) **Foreign Application Priority Data**

Jun. 3, 2016 (EM) ..... 003170364-0004

(51) **LOC (11) Cl.** ..... **08-01**

(52) **U.S. Cl.**  
USPC ..... **D8/8**

(58) **Field of Classification Search**  
USPC ..... D8/1, 7, 8, 9, 499; D15/1, 17  
CPC ..... A01G 3/06; A01G 3/053; A01G 3/067;  
A01G 3/0535; A01G 3/00; A01G 3/062  
See application file for complete search history.

(56) **References Cited**

**U.S. PATENT DOCUMENTS**

4,197,640 A	4/1980	Murray
4,534,005 A	8/1985	Nagashima et al.
4,630,372 A	12/1986	Nagashima
4,654,970 A	4/1987	Nagashima
4,662,071 A	5/1987	Hoppner et al.
H378 H	12/1987	Matsumoto
4,819,332 A	4/1989	Sugihara et al.
4,932,126 A	6/1990	Pilatowicz et al.
5,070,618 A	12/1991	Edlund
5,261,162 A	11/1993	Siegler
D351,096 S	10/1994	Gierke

D356,013 S	3/1995	Kiyooka et al.
D361,251 S	8/1995	Griffin
D364,326 S	11/1995	Lohse et al.
5,485,814 A	1/1996	Tuggle et al.
D372,407 S	8/1996	Haneda et al.
5,570,512 A	11/1996	Hoppner
D377,441 S	1/1997	Hoppner et al.
D378,184 S	2/1997	Naslund et al.
D386,958 S	12/1997	Karlsson et al.
D412,652 S	8/1999	Durr et al.
5,992,025 A	11/1999	Fricke
6,016,604 A	1/2000	Wolf et al.

(Continued)

*Primary Examiner* — Sandra S Snapp

*Assistant Examiner* — Ieisha N Price

(74) *Attorney, Agent, or Firm* — McGuireWoods LLP

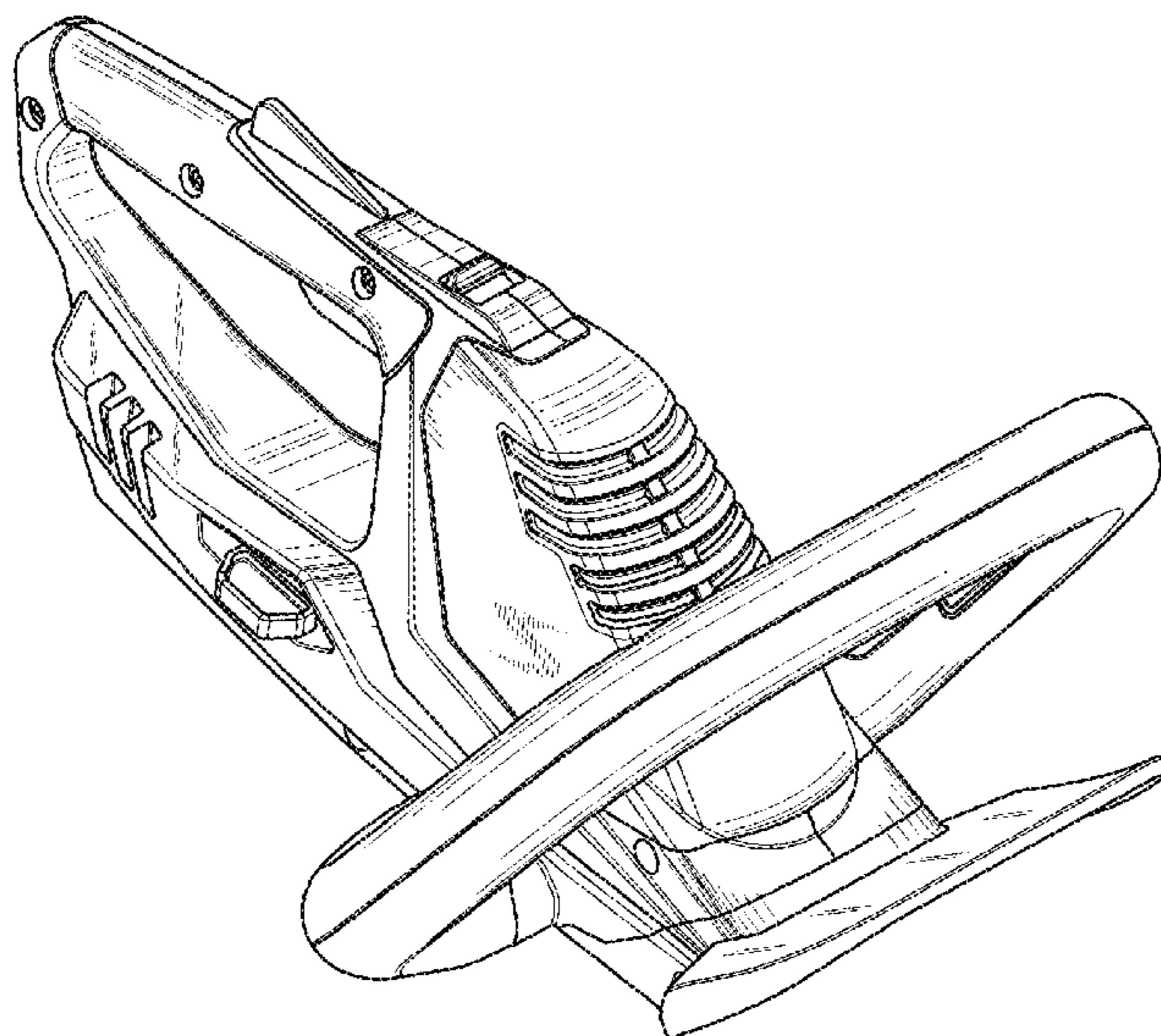
(57) **CLAIM**

We claim the ornamental design for a battery powered hedge trimmer, as shown and described.

**DESCRIPTION**

FIG. 1 is a left perspective view of the battery powered hedge trimmer;  
 FIG. 2 is a front view of the battery powered hedge trimmer shown in FIG. 1;  
 FIG. 3 is a rear view of the battery powered hedge trimmer shown in FIG. 1;  
 FIG. 4 is a left side view of the battery powered hedge trimmer shown in FIG. 1;  
 FIG. 5 is a right side view of the battery powered hedge trimmer shown in FIG. 1;  
 FIG. 6 is a top view of the battery powered hedge trimmer shown in FIG. 1; and,  
 FIG. 7 is a bottom view of the battery powered hedge trimmer shown in FIG. 1.  
 The subject matter shown in dashed lines, and any surfaces of the design not shown, including interior surfaces, form no part of the claimed invention.

**1 Claim, 7 Drawing Sheets**



(56)

References Cited

U.S. PATENT DOCUMENTS

D427,862 S	7/2000	Yamane et al.	D606,829 S	12/2009	Tinius	
6,295,953 B1	10/2001	Ohsawa et al.	D623,487 S	9/2010	Tinius	
D457,925 S	5/2002	Grafton	D624,371 S *	9/2010	Tinius	D8/8
D460,667 S	7/2002	Waldron	7,992,308 B1	8/2011	Fisher	
D462,882 S	9/2002	Evans	8,156,656 B2	4/2012	Tate	
D463,228 S	9/2002	Cooper	D661,557 S *	6/2012	Sweeney	D8/8
D463,229 S	9/2002	Gabriel	D668,513 S *	10/2012	Okuda	D8/8
D468,600 S	1/2003	Evans	D670,144 S	11/2012	Tinius	
D473,116 S	4/2003	Jong	D678,737 S	3/2013	Yamamoto	
6,637,117 B2	10/2003	Kobayashi	D702,630 S	4/2014	Tinius	
6,735,873 B2	5/2004	Langhans et al.	D706,591 S	6/2014	Kosugi	
D505,602 S	5/2005	Houghton	D711,700 S *	8/2014	Mehra	D8/65
D505,844 S	6/2005	Houghton	D712,212 S *	9/2014	Zhang	D8/8
D506,653 S	6/2005	Elsworthy	D720,193 S *	12/2014	Luedtke	D8/8
6,973,726 B2	12/2005	Kramer	D732,358 S	6/2015	Tinius	
D522,818 S	6/2006	Andriolo	D753,968 S *	4/2016	Jiang	D8/8
7,168,132 B2	1/2007	Durr et al.	D761,066 S	7/2016	Mueller	
D543,805 S	6/2007	Houghton	D761,067 S	7/2016	Mueller	
D560,983 S	2/2008	Tinius	D802,387 S *	11/2017	Tinius	D8/8
D563,747 S	3/2008	Tinius	2002/0124837 A1	9/2002	Maier et al.	
D580,238 S *	11/2008	Murray	2002/0129502 A1	9/2002	Durr et al.	
D580,239 S *	11/2008	Murray	2003/0051351 A1	3/2003	Buchholtz et al.	
D580,240 S	11/2008	Murray	2003/0183187 A1	10/2003	Menzel et al.	
D582,225 S	12/2008	Bochmann	2004/0103857 A1	6/2004	Kruse	
D582,736 S	12/2008	Ghirardi	2005/0050867 A1	3/2005	Taomo et al.	
D596,000 S	7/2009	Klingbeil	2006/0112683 A1	6/2006	Huber	
			2007/0101581 A1	5/2007	Carls	
			2007/0180705 A1	8/2007	Chiu	
			2016/0242365 A1 *	8/2016	Li	F16D 11/14

\* cited by examiner

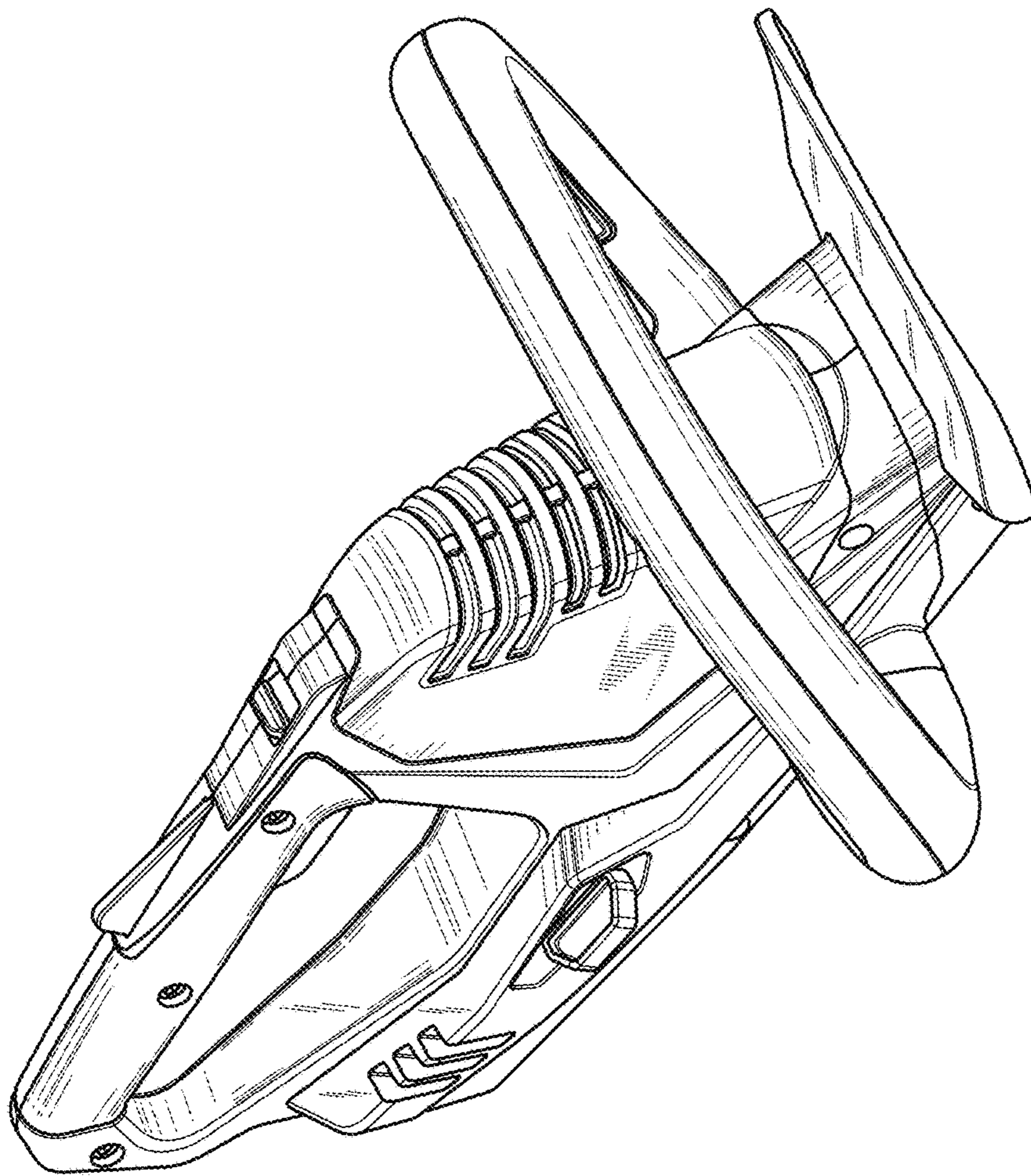


FIG. 1

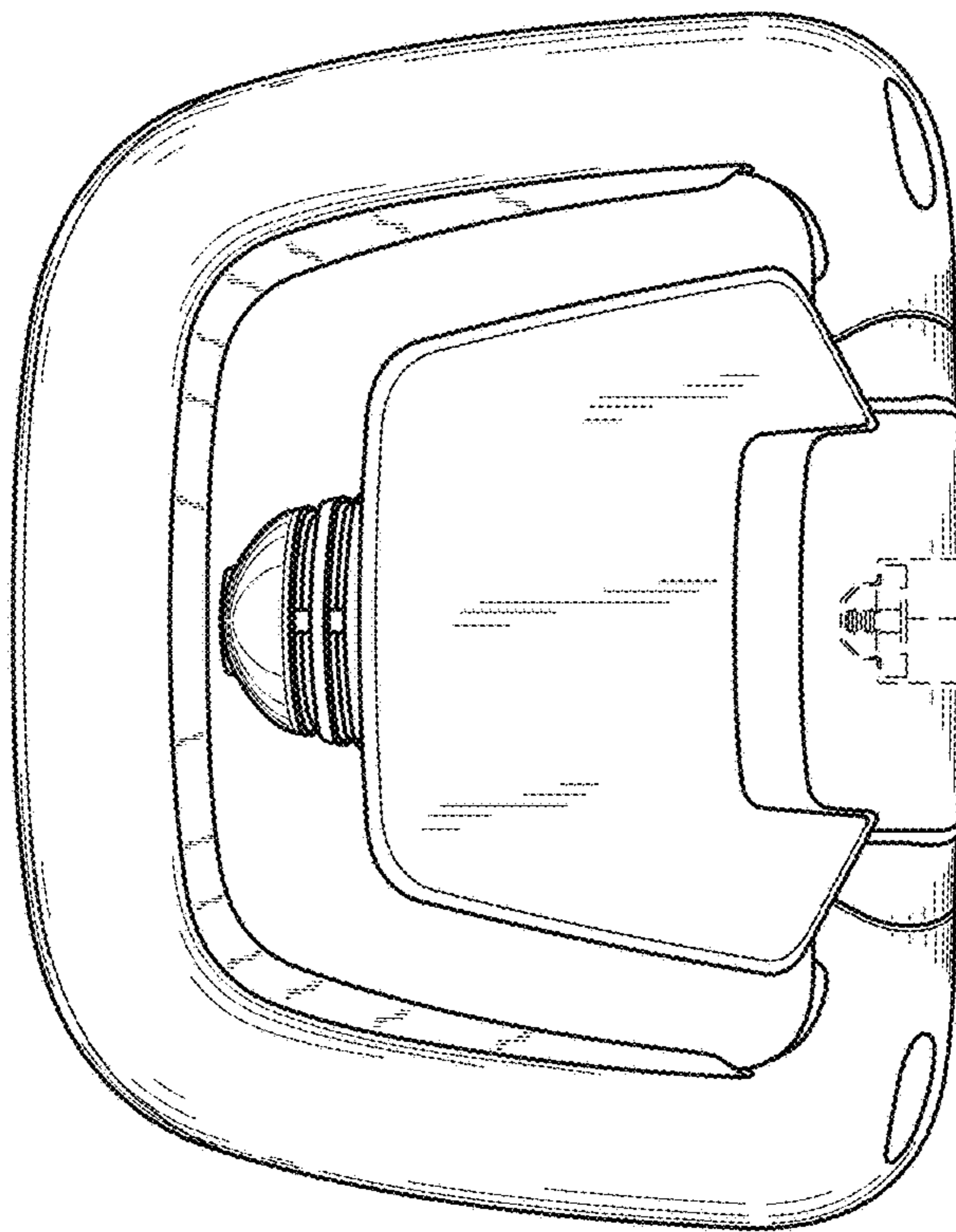


FIG. 2

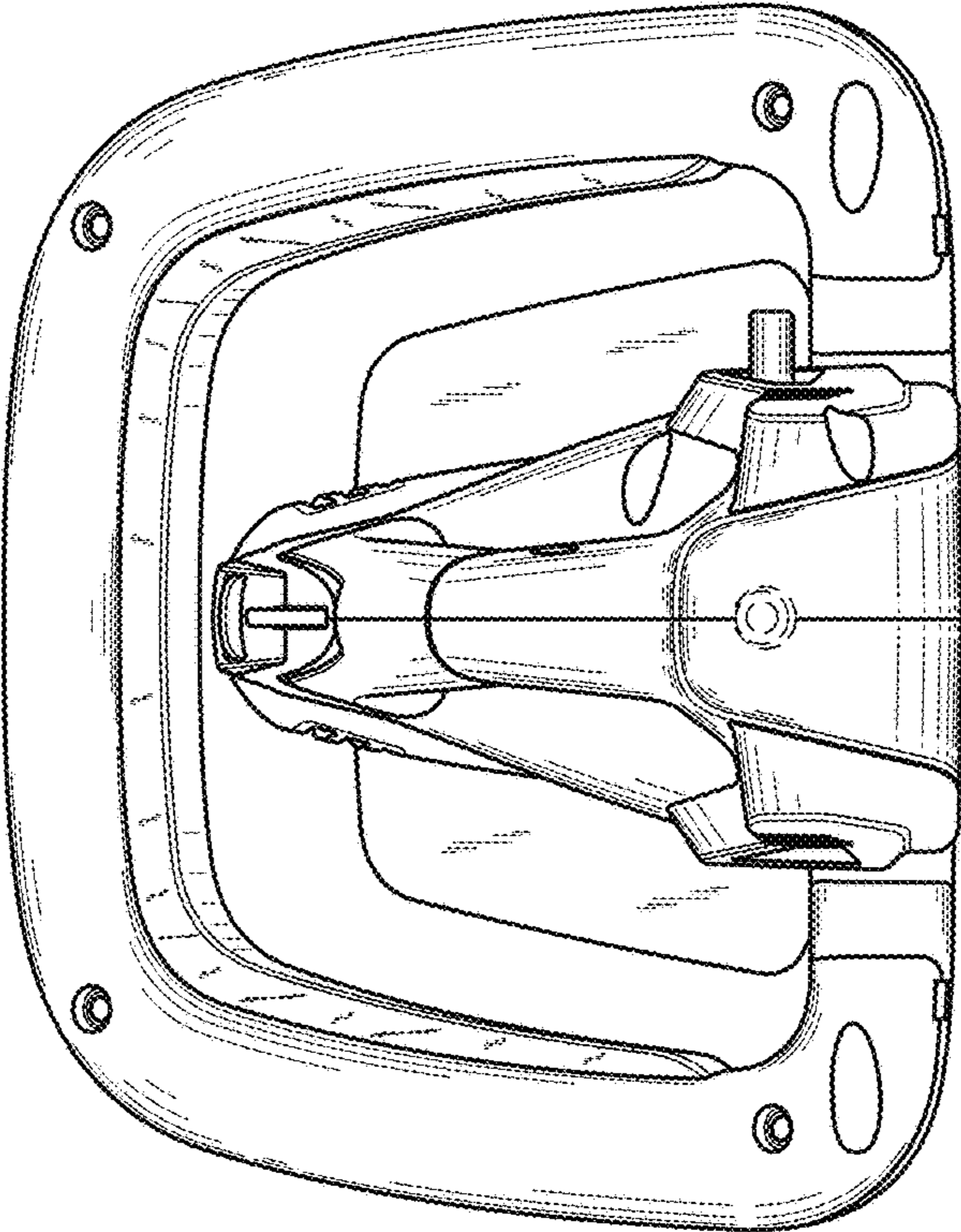


FIG. 3

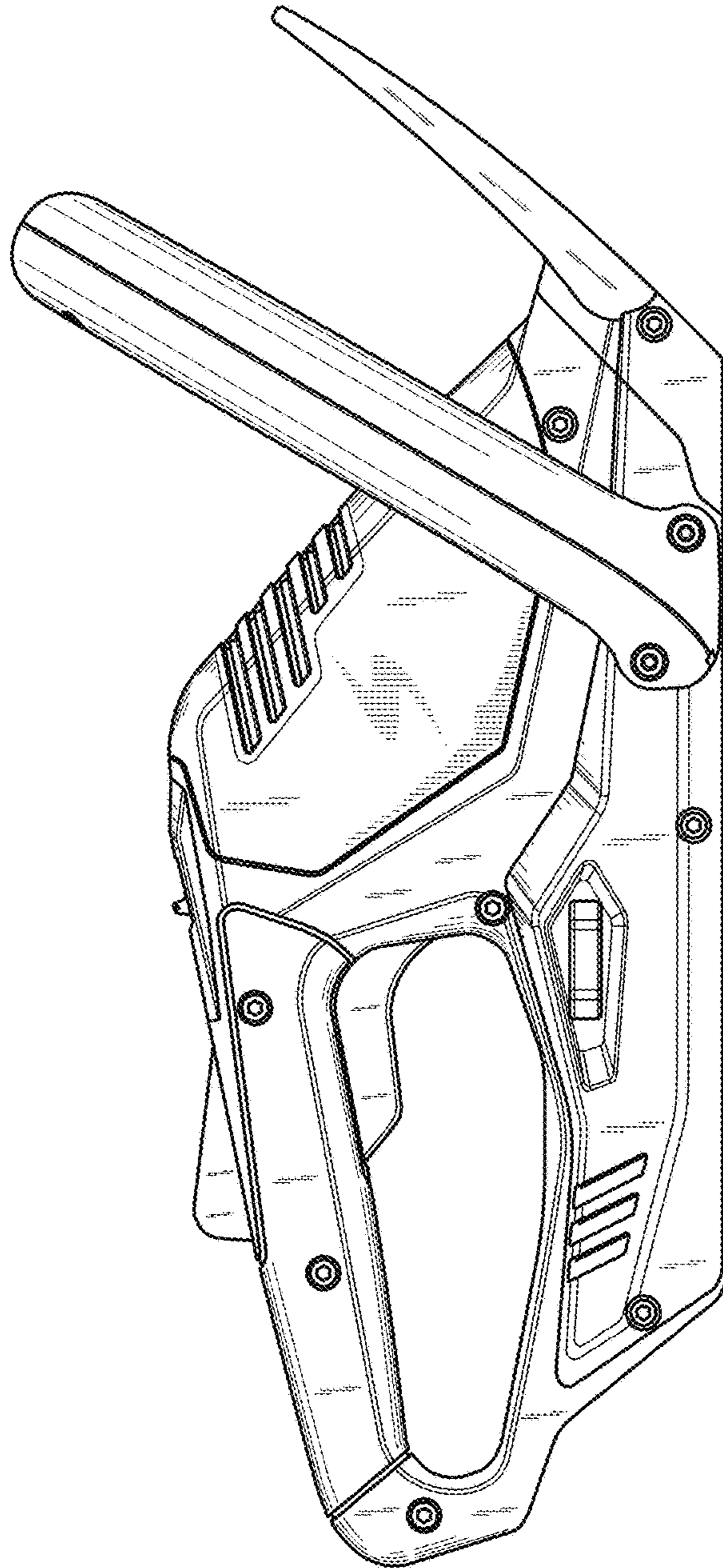


FIG. 4

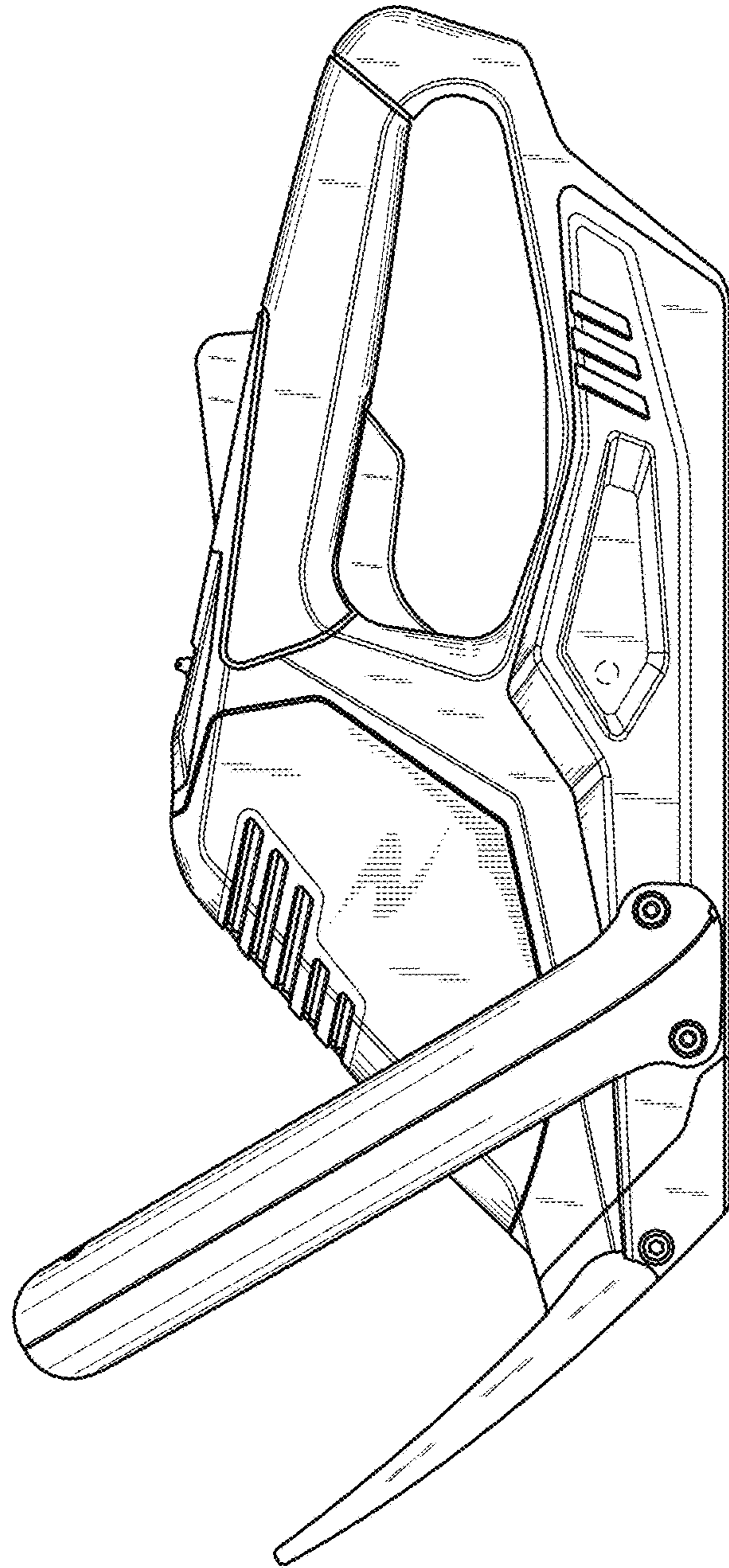


FIG. 5

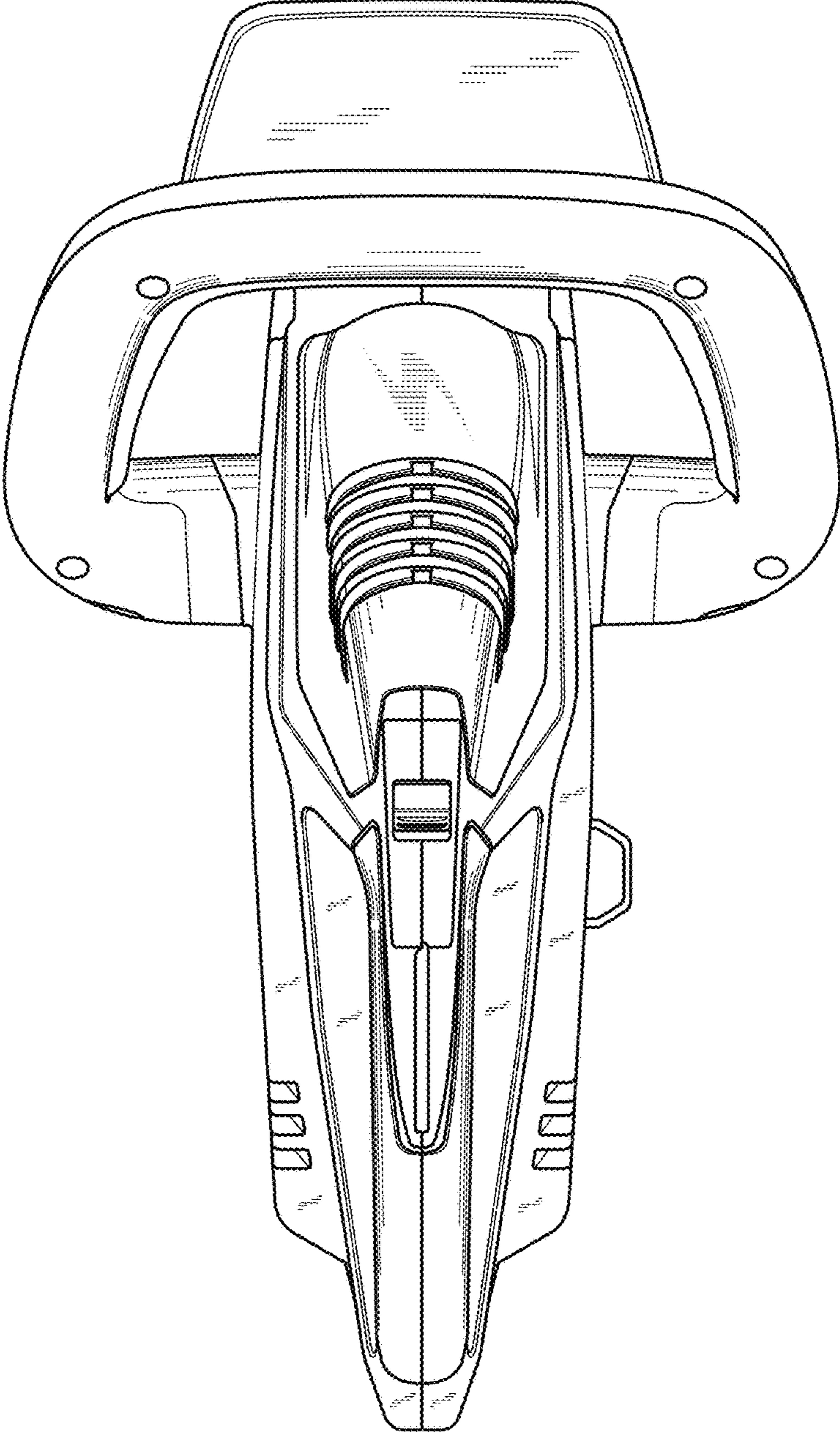


FIG. 6



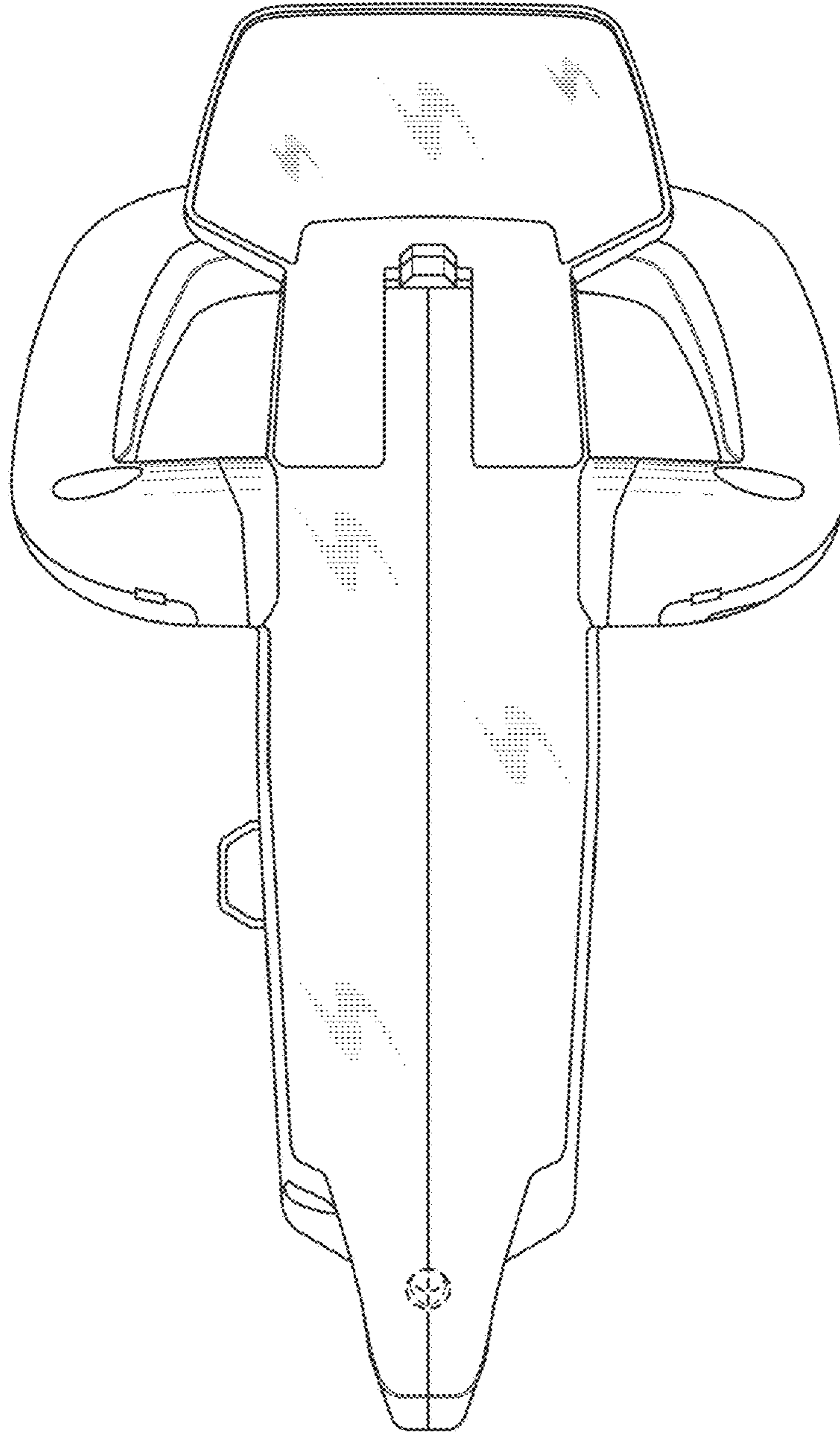


FIG. 7