

US00D846957S

(12) **United States Design Patent**
Nagrani

(10) **Patent No.:** **US D846,957 S**

(45) **Date of Patent:** **** Apr. 30, 2019**

(54) **KNIFE**

(71) Applicant: **DREAMBIZ LTD.**, Tsim Sha Tsui,
Kowloon, Hong Kong (HK)

(72) Inventor: **Rajendra Sobha Nagrani**, Hong Kong
(HK)

(73) Assignee: **DREAMBIZ LTD.**, Kowloon (HK)

(**) Term: **15 Years**

(21) Appl. No.: **29/634,643**

(22) Filed: **Jan. 23, 2018**

(51) **LOC (11) Cl.** **07-03**

(52) **U.S. Cl.**
USPC **D7/650; D7/649**

(58) **Field of Classification Search**
USPC D7/393–395, 401.2, 642–652, 693–696;
D8/93, 97–100, 107, 300, 321;
D22/117–118
CPC A01B 1/20; A01B 1/22; A22C 25/006;
A47G 21/06; A47G 21/065; A61B
17/3211; A61B 17/3213; B21D 53/64;
B25G 3/36; B26B 1/00; B26B 1/08;
B26B 1/10; B26B 3/00; B26B 3/02;
B26B 3/03; B26B 3/04; B26B 3/06;
B26B 5/00; B26B 5/001; B26B 5/007;
B26B 7/00; B26B 7/005; B26B 9/00;
B26B 9/02; B26B 11/00; B26B 11/006;
B26B 17/00; B26B 17/006; B26B 29/02

See application file for complete search history.

(56) **References Cited**

U.S. PATENT DOCUMENTS

D173,124 S *	9/1954	Niblack	D7/650
D252,790 S *	9/1979	Reinschreiber	D7/650
D256,086 S *	7/1980	Seibel	D7/649
D256,877 S *	9/1980	Liebling	D7/649
D439,806 S *	4/2001	Juhlin	D7/650
D461,689 S *	8/2002	Lothe	D7/649
D462,241 S *	9/2002	Lothe	D7/649
D468,973 S *	1/2003	Sun	D7/650
D496,563 S *	9/2004	Marsden	D7/650
D643,264 S *	8/2011	Spiegel	D7/649

* cited by examiner

Primary Examiner — Ricky Pham

(74) *Attorney, Agent, or Firm* — Loza & Loza, LLP;
Heidi L. Eisenhut

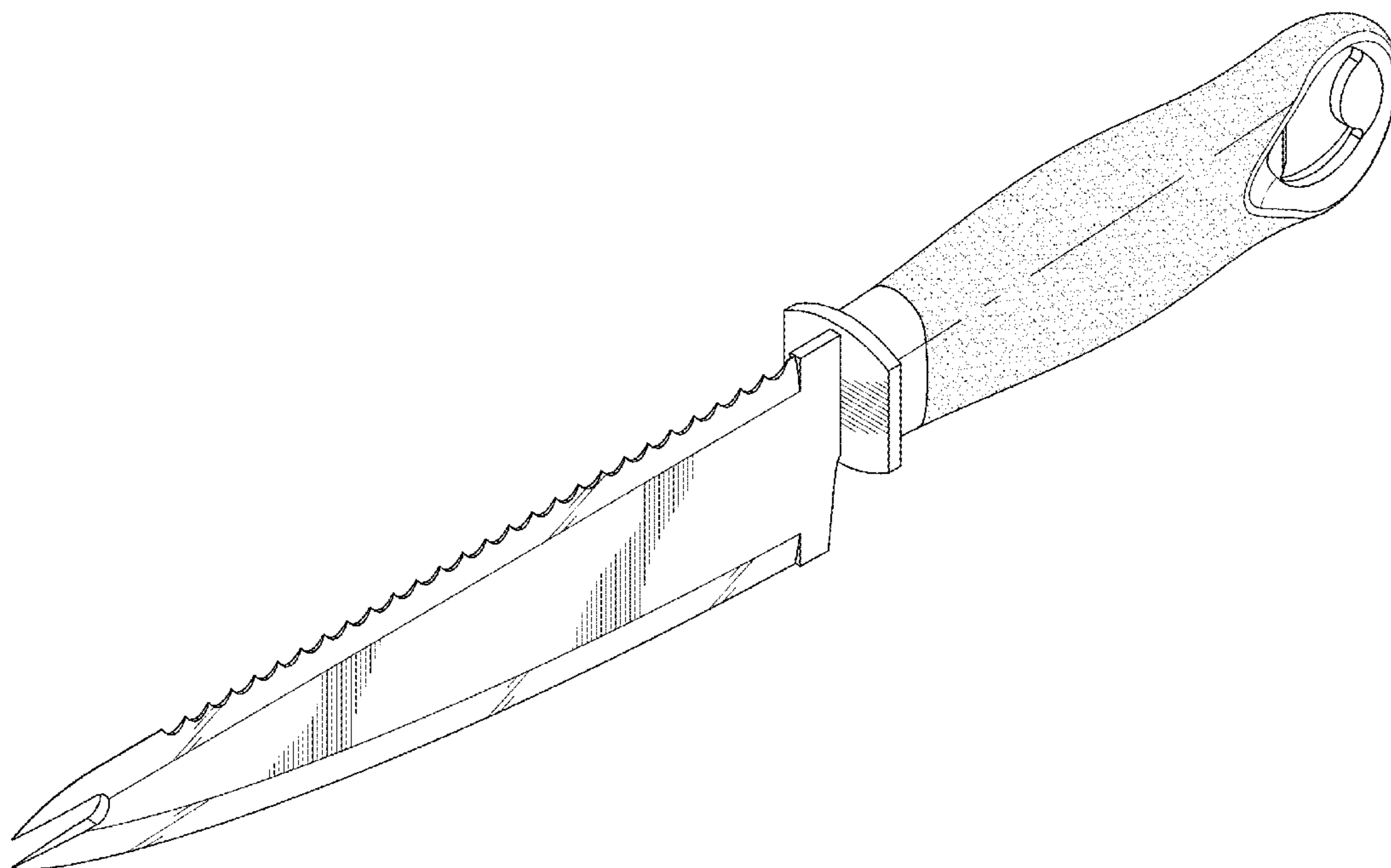
(57) **CLAIM**

The ornamental design for a knife, as shown and described.

DESCRIPTION

FIG. 1 is a top right perspective of a knife, according to the present invention.
FIG. 2 is a top left perspective of the knife of FIG. 1;
FIG. 3 is a first side elevation view of the knife of FIG. 1;
FIG. 4 is a second side elevation view of the knife of FIG. 1;
FIG. 5 is a front elevation view of the knife of FIG. 1;
FIG. 6 is a back elevation view of the knife of FIG. 1;
FIG. 7 is a top plan view of the knife of FIG. 1; and,
FIG. 8 is a bottom plan view of the knife of FIG. 1.

1 Claim, 5 Drawing Sheets



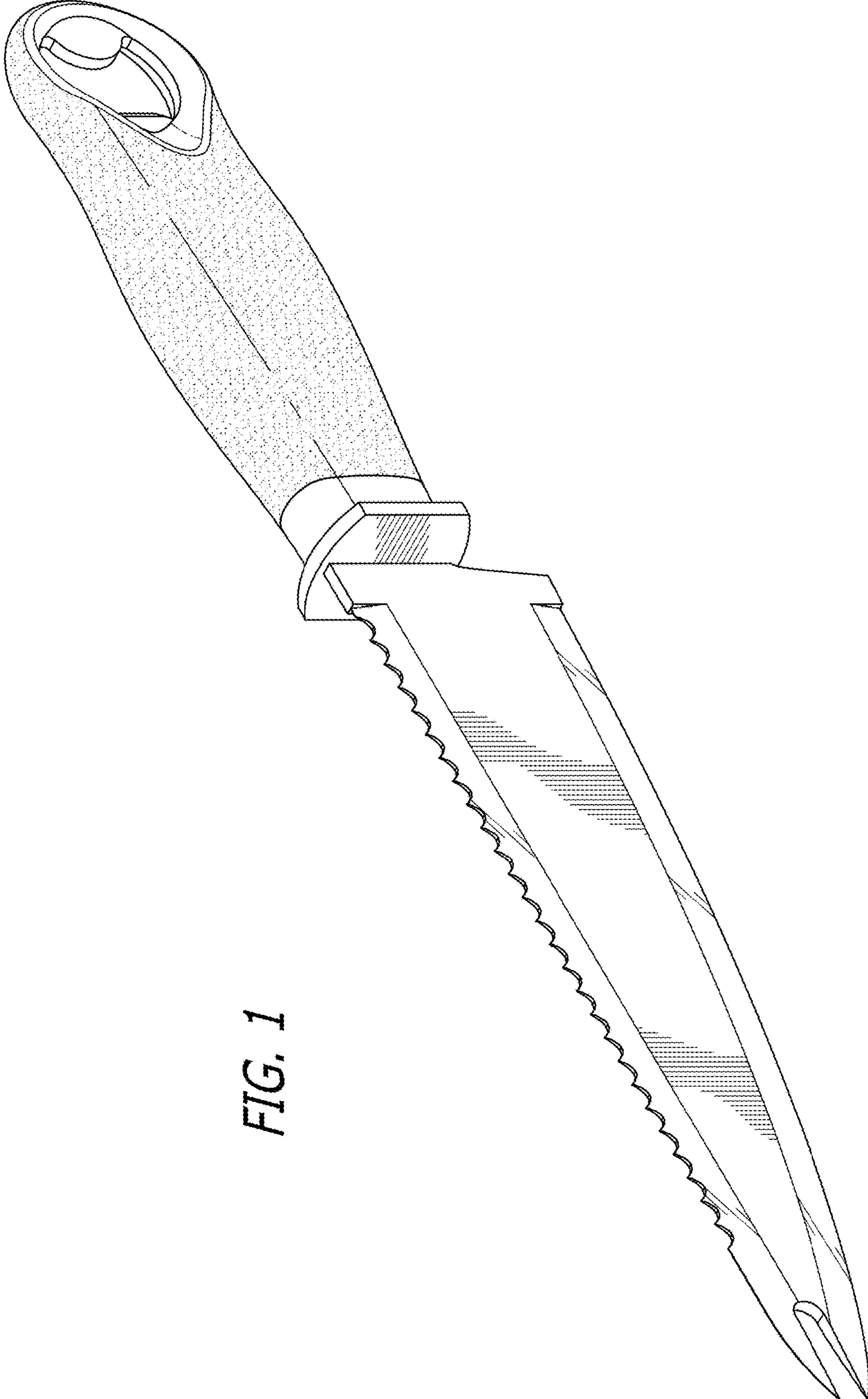


FIG. 1

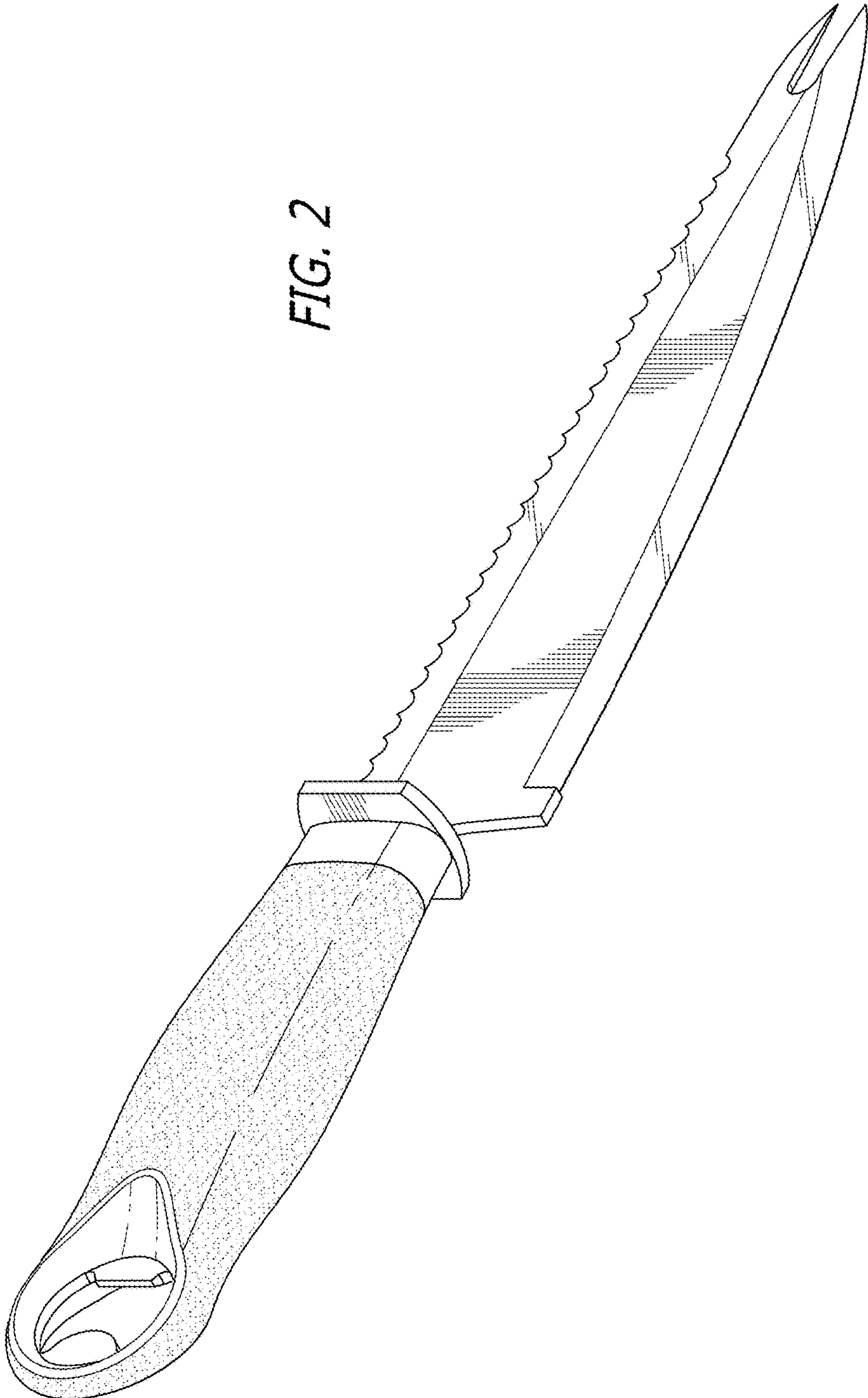


FIG. 2

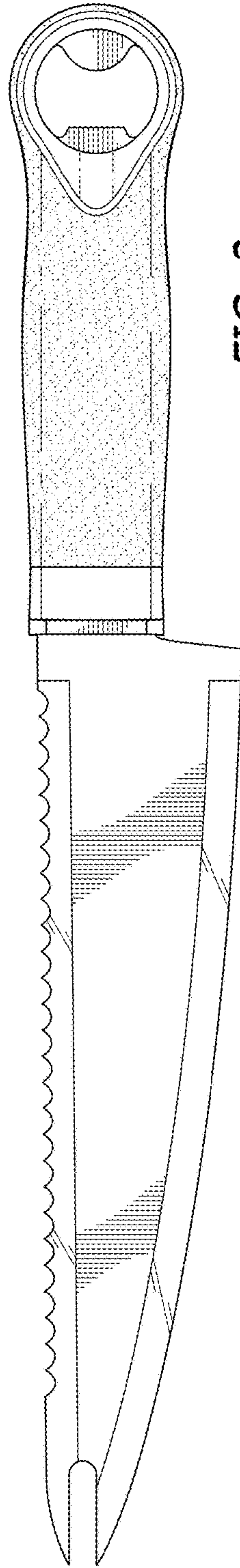


FIG. 3

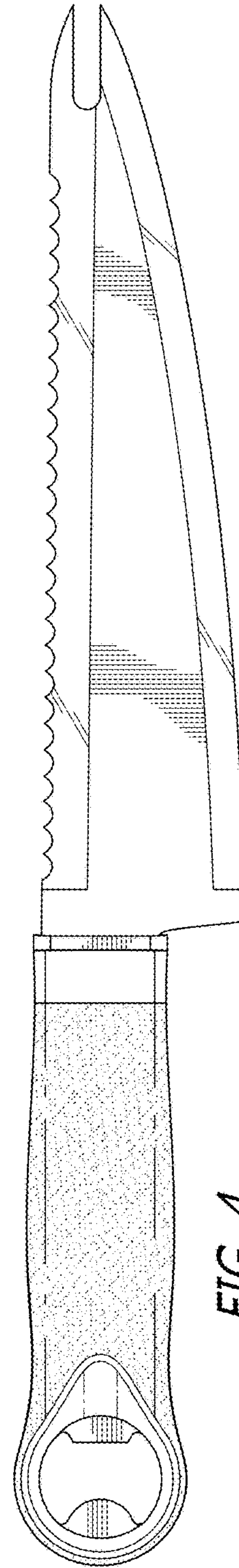


FIG. 4

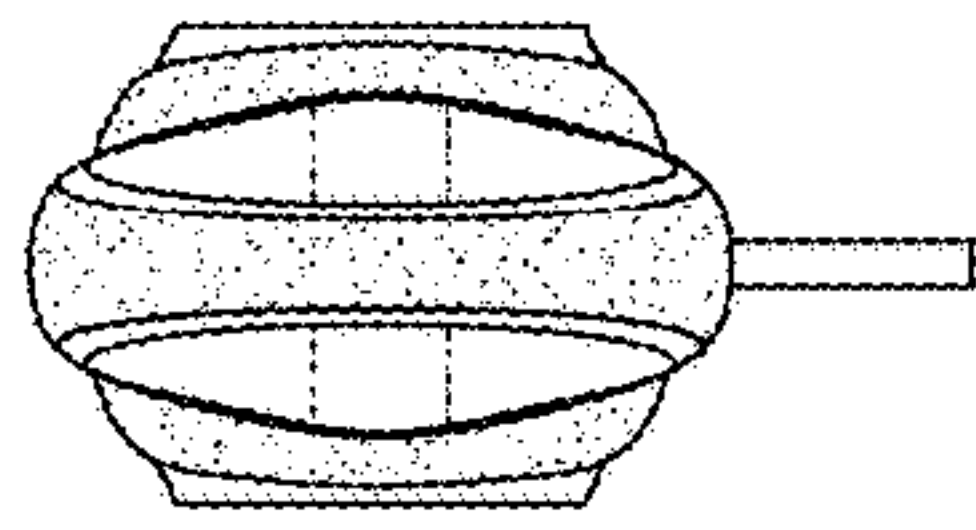


FIG. 5

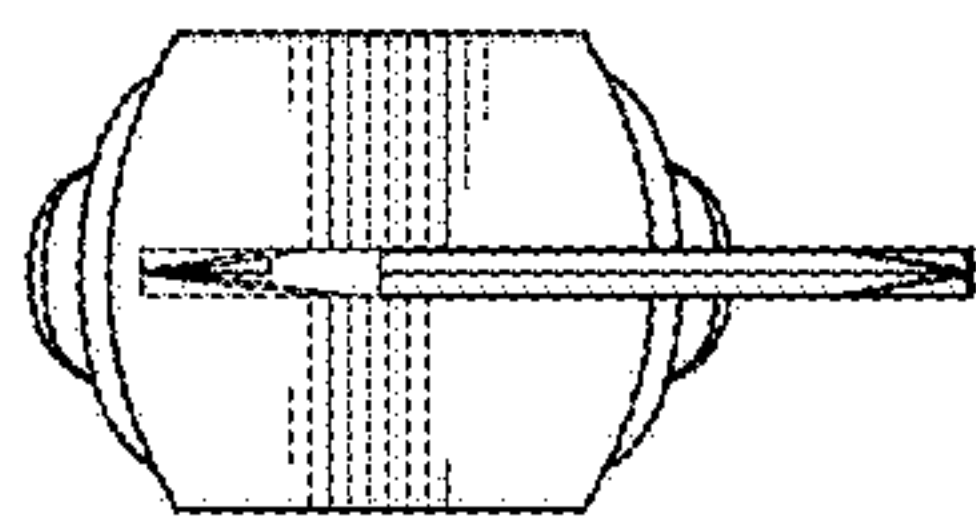


FIG. 6

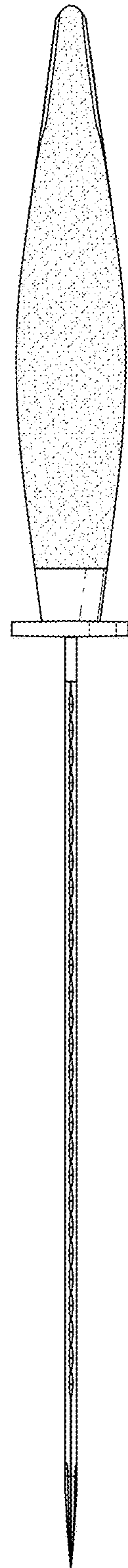


FIG. 7

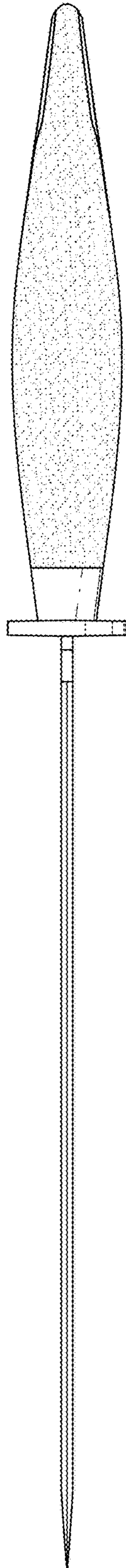


FIG. 8