

US00D846955S

(12) **United States Design Patent**
Ray et al.

(10) **Patent No.:** **US D846,955 S**

(45) **Date of Patent:** **** Apr. 30, 2019**

(54) **NAPKIN HOLDER**

(71) Applicants: **Steve Ray**, Nashville, TN (US); **Sue Ray**, Nashville, TN (US)

(72) Inventors: **Steve Ray**, Nashville, TN (US); **Sue Ray**, Nashville, TN (US)

(**) Term: **15 Years**

(21) Appl. No.: **29/626,761**

(22) Filed: **Nov. 20, 2017**

(51) **LOC (11) Cl.** **07-06**

(52) **U.S. Cl.**
USPC **D7/633**

(58) **Field of Classification Search**
USPC D3/273, 274; D7/631, 637-641, 550.1, D7/672; D9/420-426, 432; D19/77, D19/81-86; 206/553, 557, 562, 564; 211/60.1, 70.1, 70.7; 220/23.83
CPC A47G 21/06; A47G 21/14; A47G 29/08; B65D 43/169; B65D 45/00; B67B 7/16; B67B 7/44

See application file for complete search history.

(56) **References Cited**

U.S. PATENT DOCUMENTS

D280,109 S * 8/1985 Lewis 15/210.1
D305,036 S * 12/1989 Voetsch D19/34

D368,651 S * 4/1996 Daniel D8/394
6,058,639 A * 5/2000 Tinklenberg G09F 3/04
40/637
D543,670 S * 5/2007 Swinderman D32/40
D562,905 S * 2/2008 Lau D19/65
D568,173 S * 5/2008 Rutjes D9/720
D651,867 S * 1/2012 Orr D7/633

* cited by examiner

Primary Examiner — Derrick E Holland

Assistant Examiner — Janice Patyk

(74) *Attorney, Agent, or Firm* — Jeremy A. Smith;
Bradley Arant Boult Cummings LLP

(57) **CLAIM**

The ornamental design for a napkin holder, as shown and described.

DESCRIPTION

FIG. 1 is a perspective view of a napkin holder, showing our new design.

FIG. 2 is a front view of the napkin holder of FIG. 1.

FIG. 3 is a back view of the napkin holder of FIG. 1.

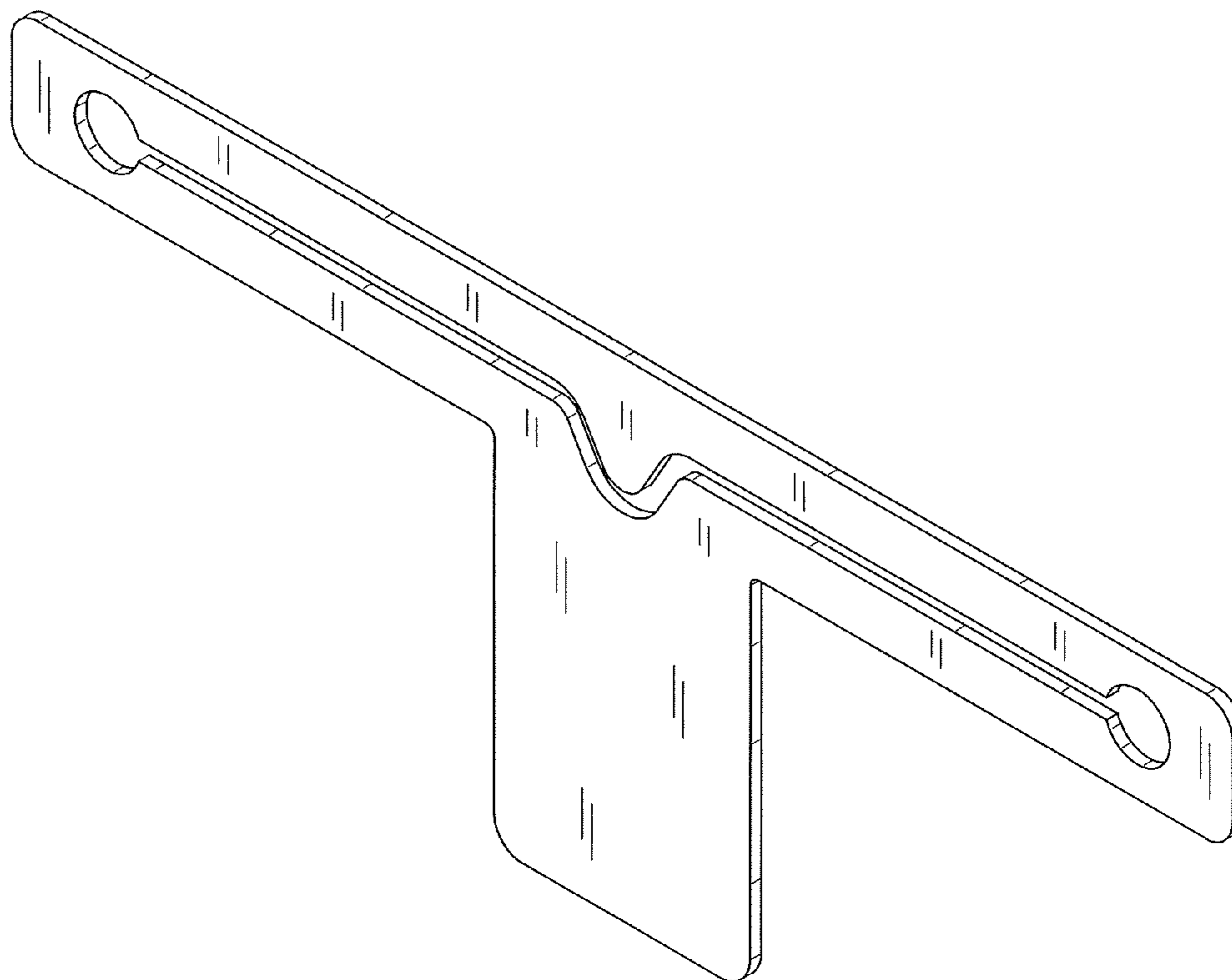
FIG. 4 is a top view of the napkin holder of FIG. 1.

FIG. 5 is a bottom view of the napkin holder of FIG. 1.

FIG. 6 is a side view of the napkin holder of FIG. 1; and,

FIG. 7 is an opposite side view of the napkin holder of FIG. 1.

1 Claim, 2 Drawing Sheets



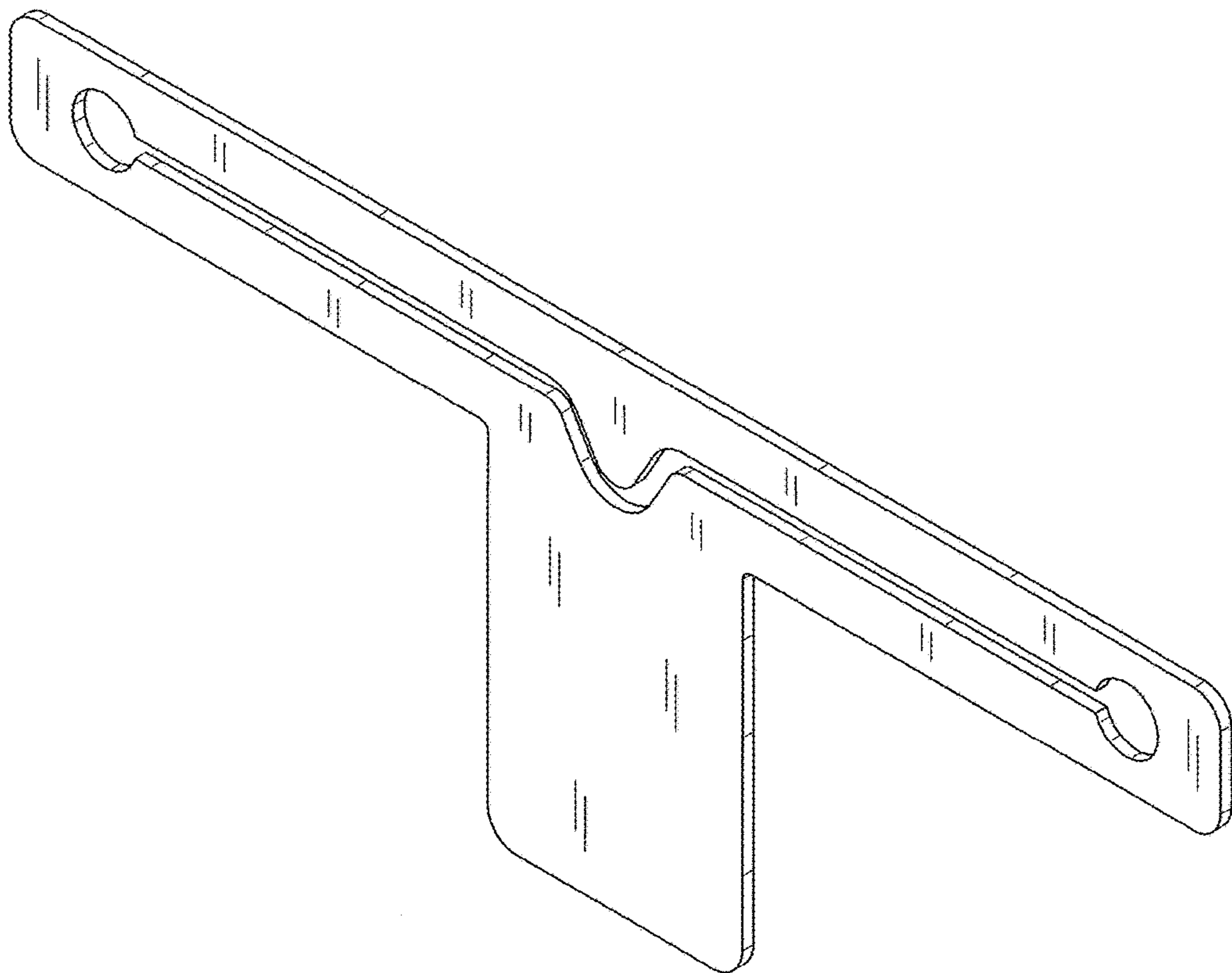


FIG. 1

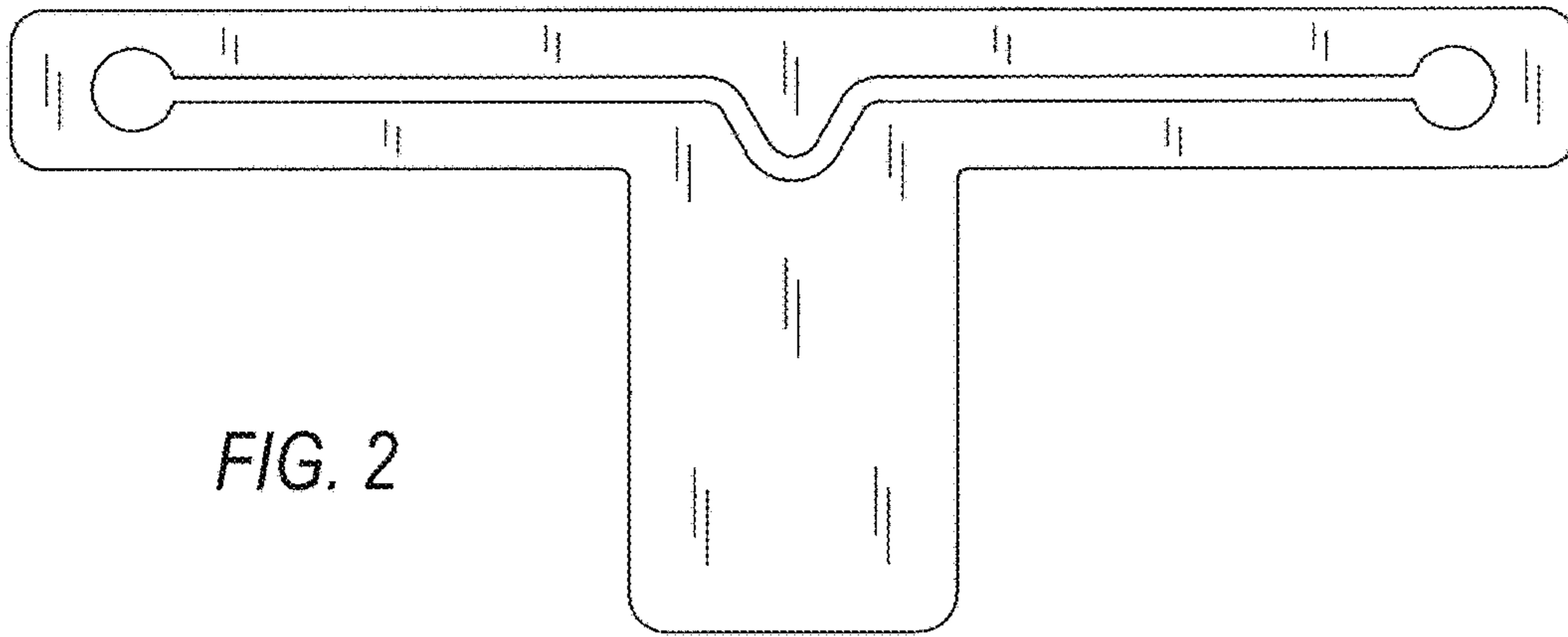


FIG. 2

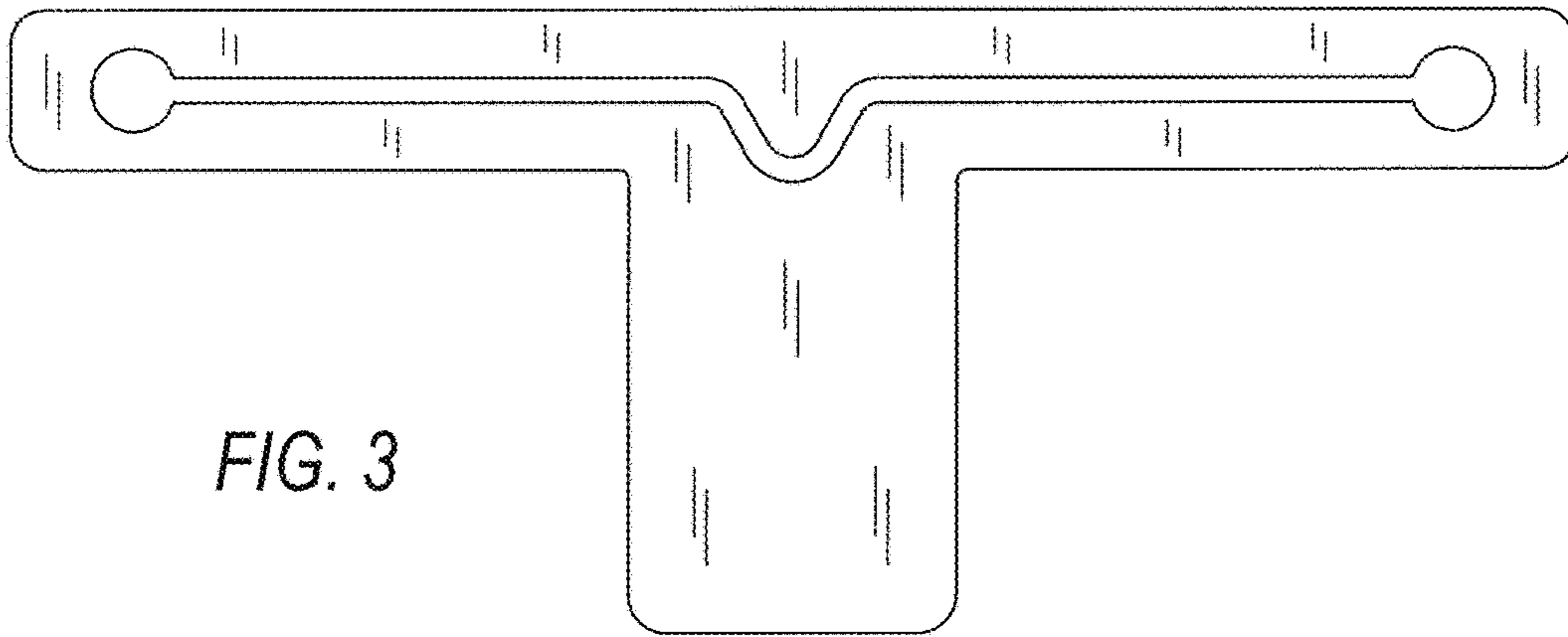


FIG. 3

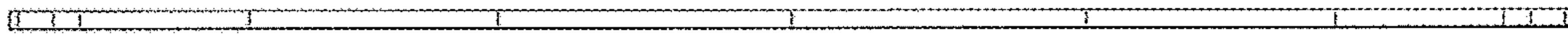


FIG. 4

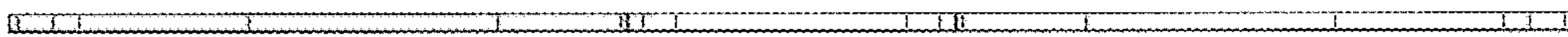


FIG. 5

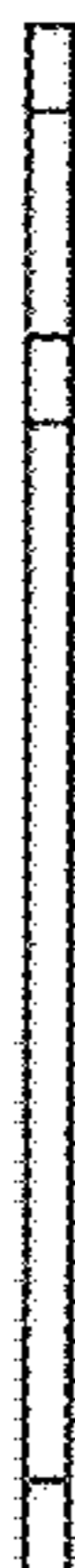


FIG. 6



FIG. 7