



US00D846953S

(12) **United States Design Patent**
O'Halloran et al.

(10) **Patent No.:** **US D846,953 S**

(45) **Date of Patent:** **** Apr. 30, 2019**

(54) **NAPKIN HOLDER**

(71) Applicants: **Jeremy O'Halloran**, Brentwood, PA
(US); **Jordan Zito**, North Versailles, PA
(US)

(72) Inventors: **Jeremy O'Halloran**, Brentwood, PA
(US); **Jordan Zito**, North Versailles, PA
(US)

(73) Assignee: **HELEN OF TROY LIMITED**, St.
Michael (BB)

(**) Term: **15 Years**

(21) Appl. No.: **29/624,677**

(22) Filed: **Nov. 2, 2017**

(51) **LOC (11) Cl.** **07-06**

(52) **U.S. Cl.**
USPC **D7/631**

(58) **Field of Classification Search**
USPC D7/631-634, 637-641; D19/75, 81-86;
D32/55, 58; 211/13.1, 70.6, 70.7, 73, 74,
211/60.1, 70.1, 71.01, 85.31, 85.4, 133.5,
211/181.1; 248/37.3, 37.6, 176.1, 175
CPC A45D 44/04; A45D 44/06; A47F 7/00; A47F
13/00; A47G 19/08; A47G 25/1464; A47J
47/16; A47L 15/50; A47L 15/503; A47L
15/505

See application file for complete search history.

(56) **References Cited**

U.S. PATENT DOCUMENTS

2,474,763 A * 6/1949 Thomas G09F 1/14
211/42
D277,723 S * 2/1985 Wolff D19/90

D346,721 S * 5/1994 Feer D7/631
D376,735 S * 12/1996 DeSimone D7/631
D507,156 S * 7/2005 Heiberg D7/631
D515,881 S * 2/2006 Berger D7/631
D526,858 S * 8/2006 Goodman D7/631
9,060,633 B1 * 6/2015 Fiola A47G 21/16

* cited by examiner

Primary Examiner — Derrick E Holland

Assistant Examiner — Janice Patyk

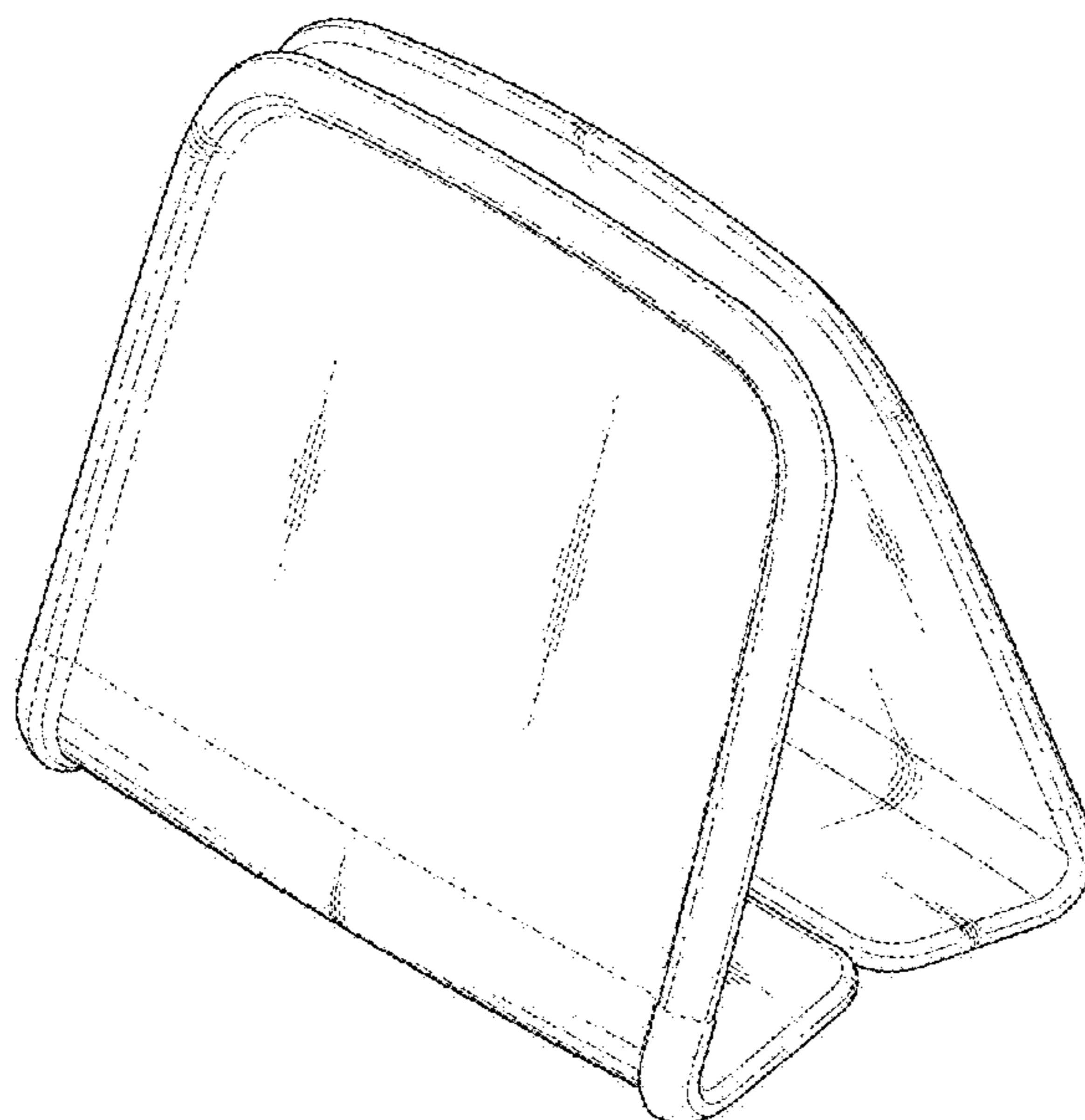
(57) **CLAIM**

The ornamental design for a napkin holder, as shown, and described.

DESCRIPTION

FIG. 1 is a perspective view of a napkin holder showing our new design;
FIG. 2 is a top view thereof;
FIG. 3 is a bottom view thereof;
FIG. 4 is a front elevation view thereof, and the rear elevation view being a mirror image thereof;
FIG. 5 is a right side elevation view thereof, and the left side elevation view being a mirror image thereof; and,
FIG. 6 is a perspective view shown in a use environment.
The broken line seams and hinges in FIGS. 1-6 illustrate the portions of the design that form no part of the claimed design. The broken line napkins in FIG. 6 illustrate environmental subject matter that form no part of the claimed design.

1 Claim, 6 Drawing Sheets



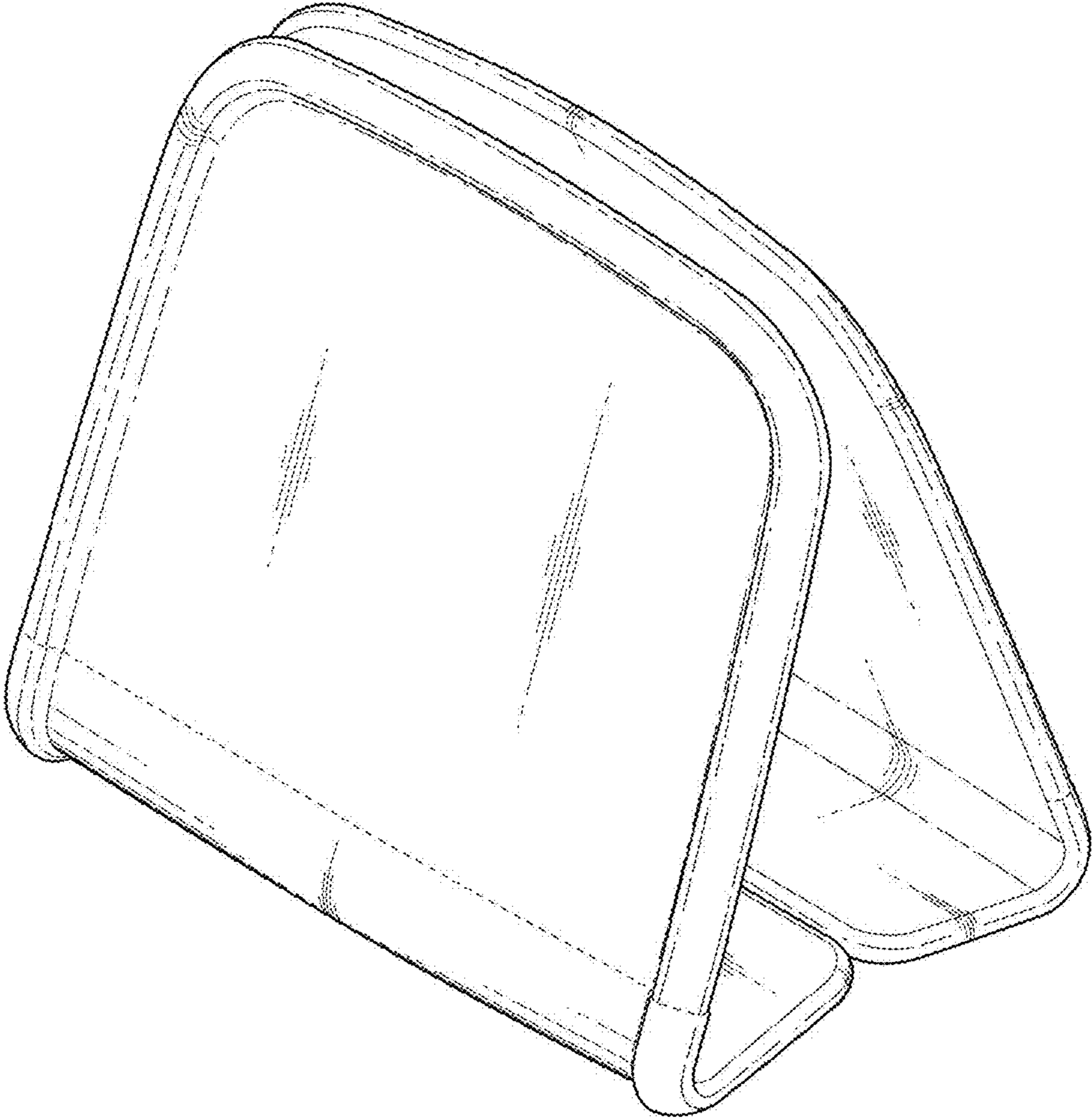


FIG. 1

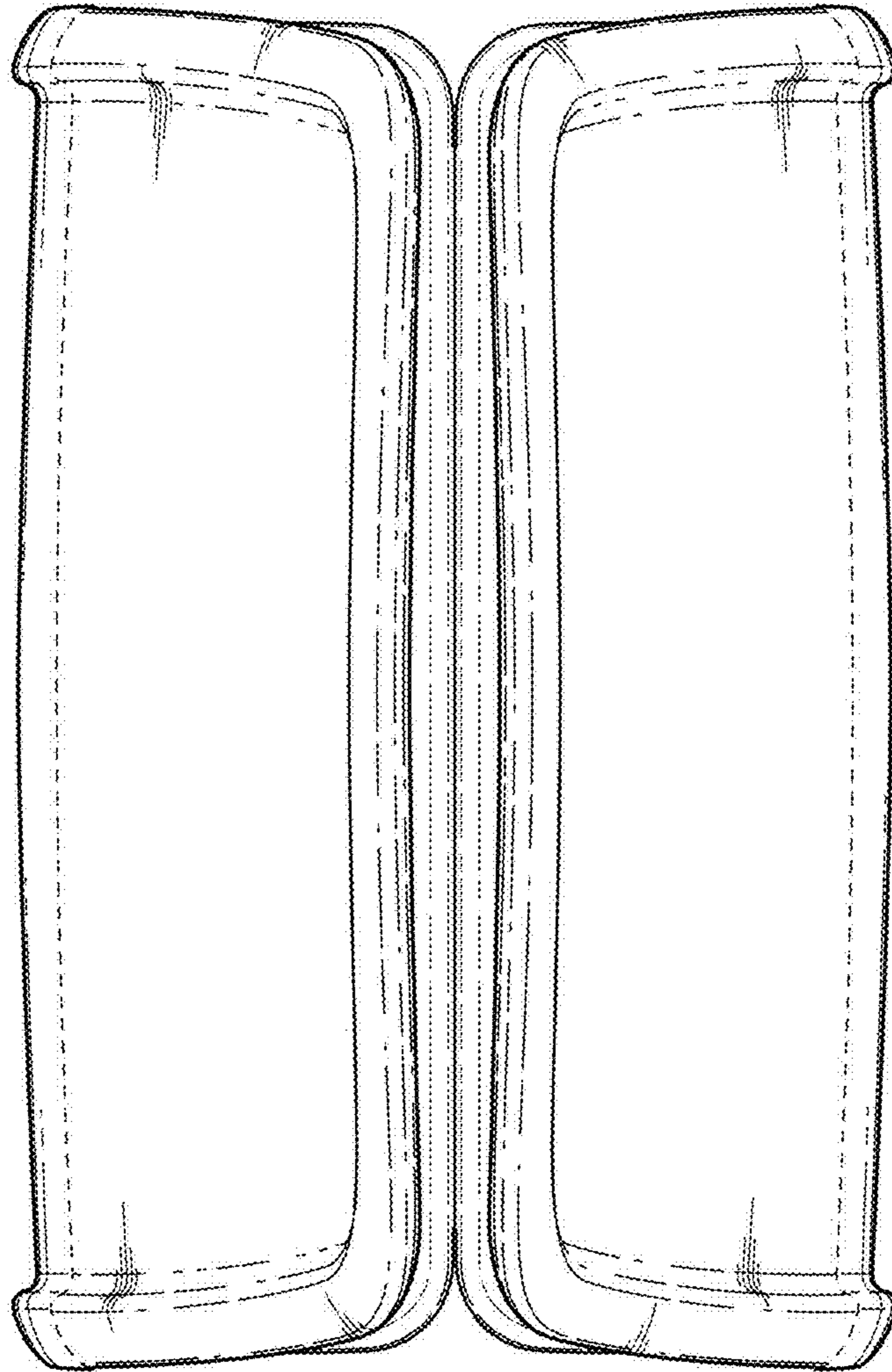


FIG. 2

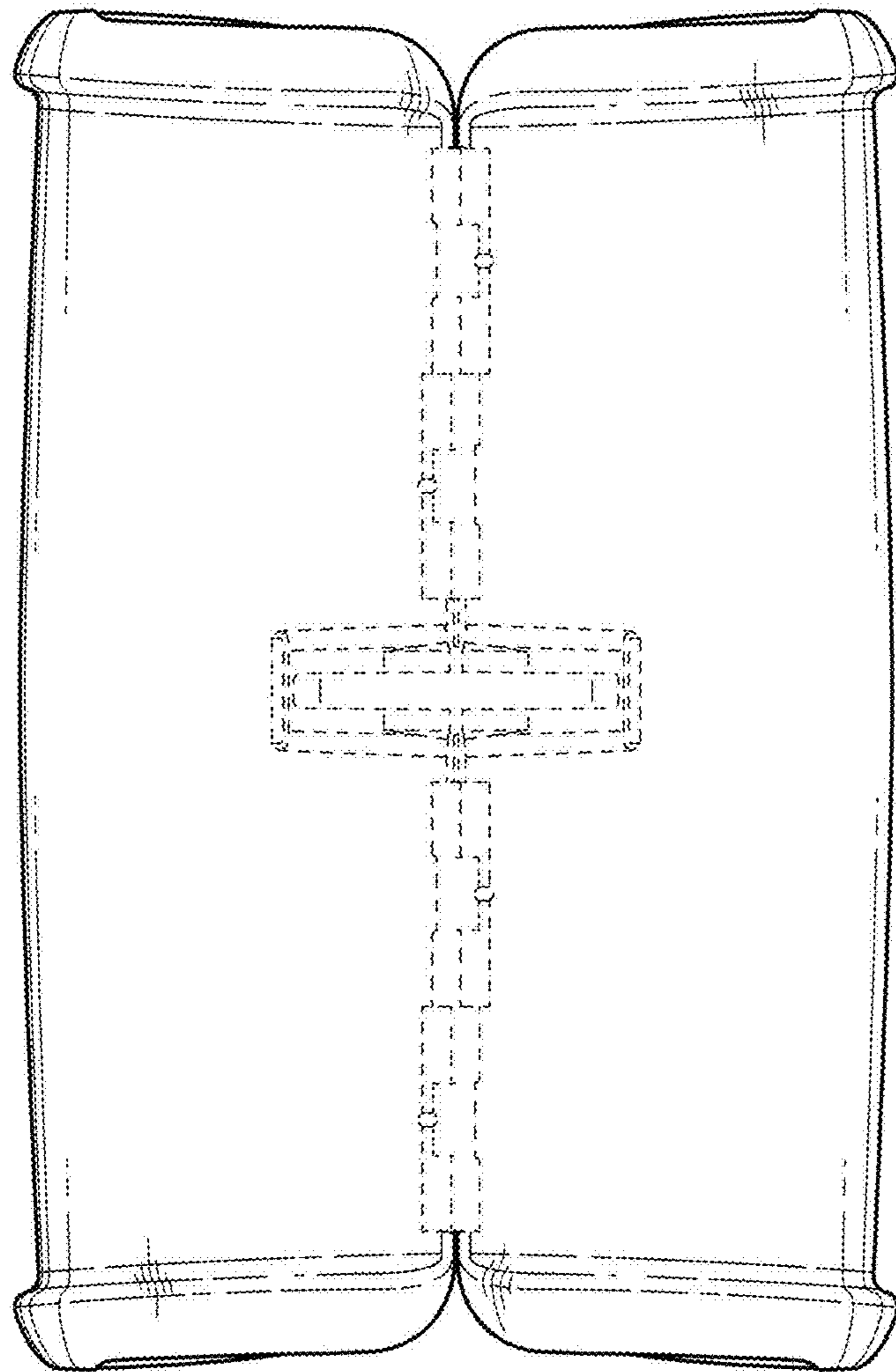


FIG. 3

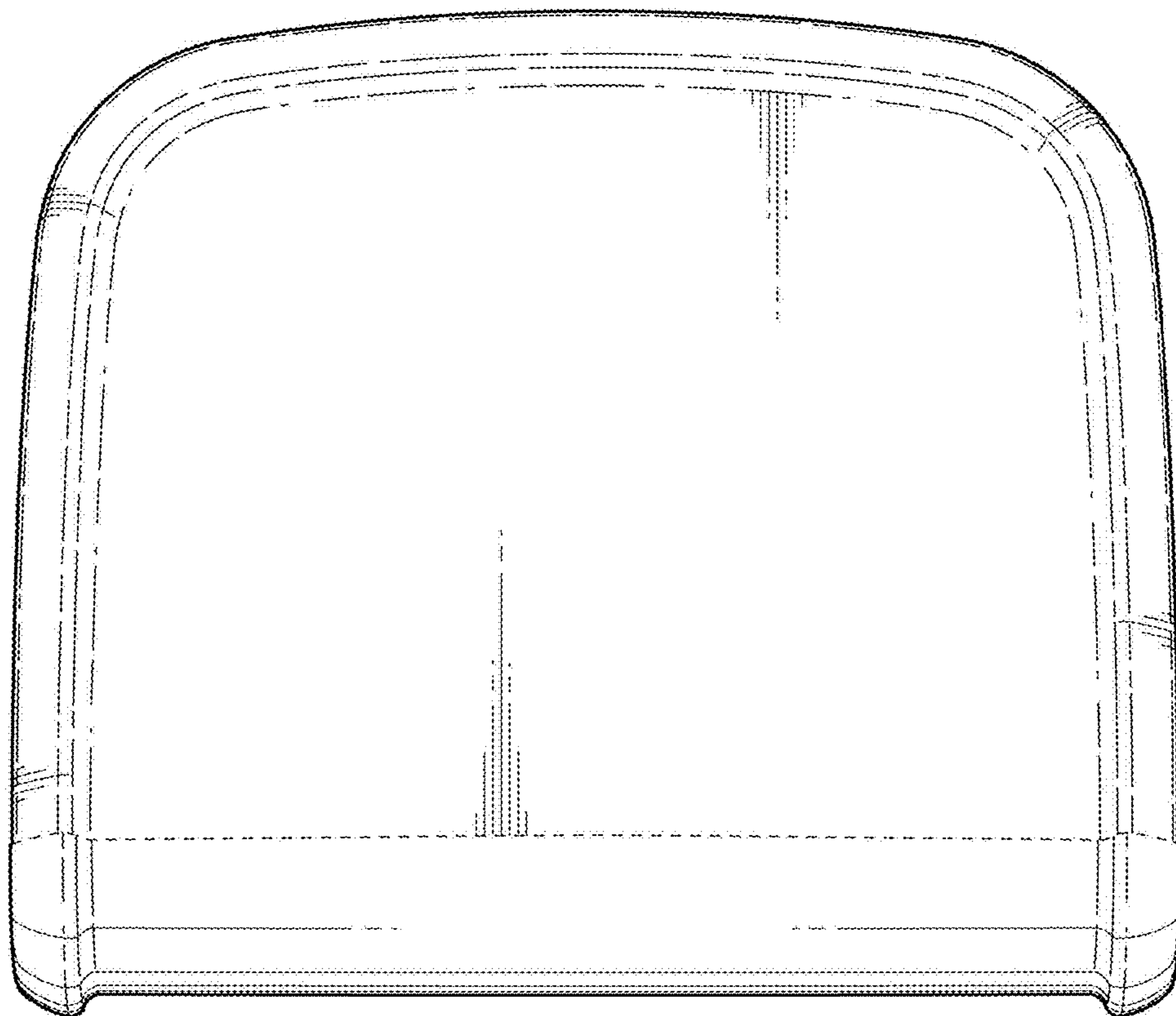


FIG. 4

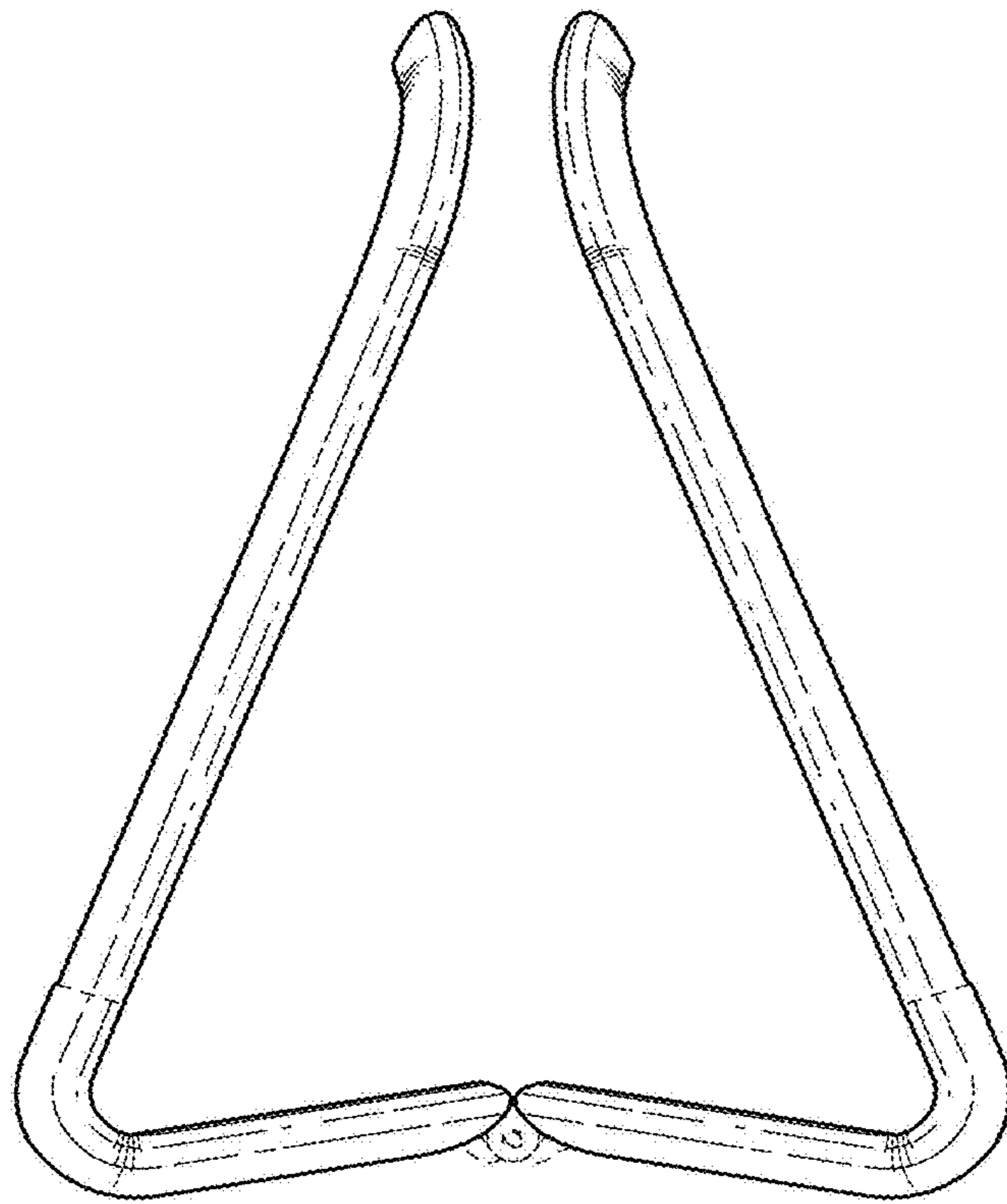


FIG. 5

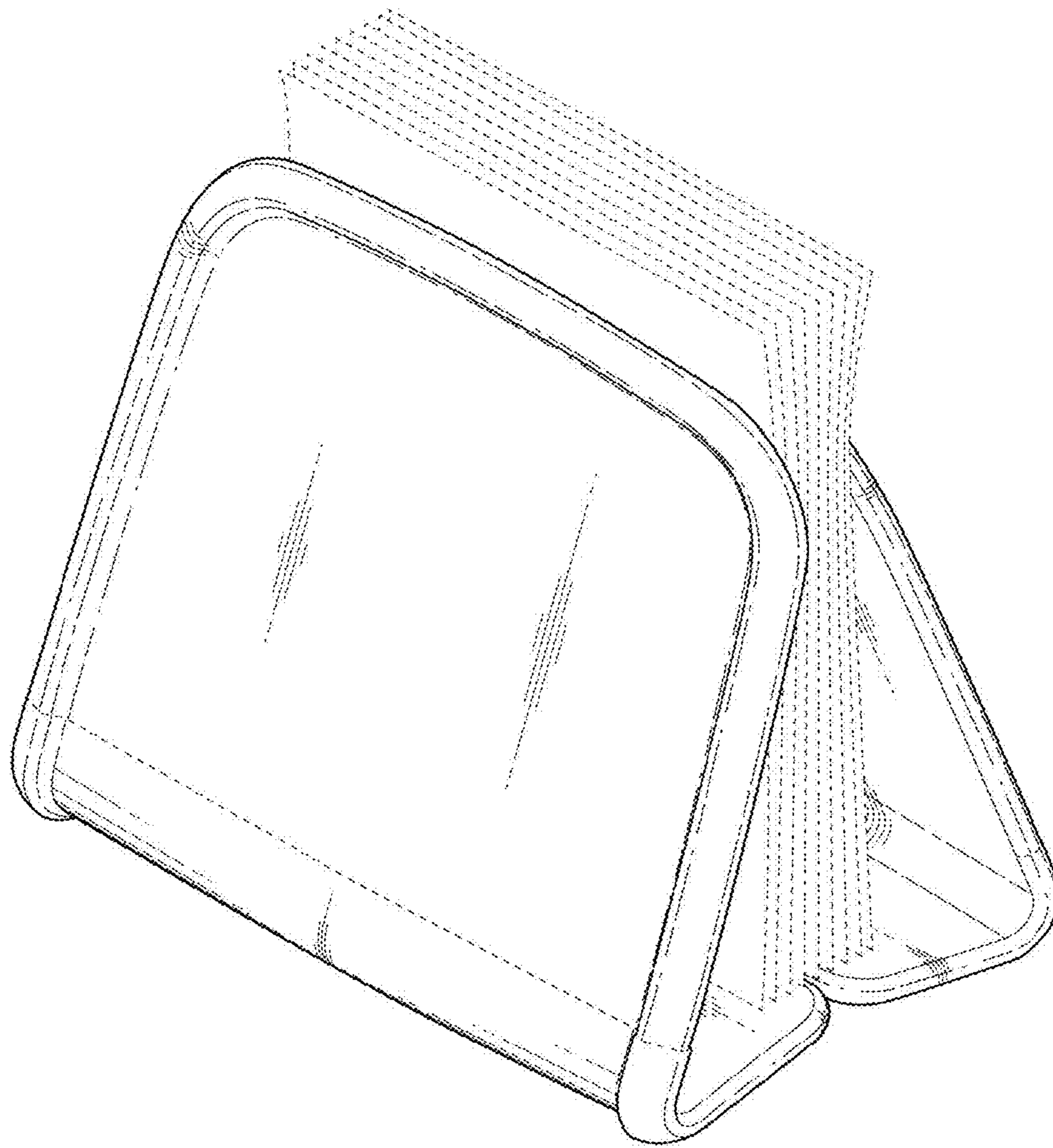


FIG. 6