



US00D846948S

(12) **United States Design Patent**
Chin et al.

(10) **Patent No.:** **US D846,948 S**

(45) **Date of Patent:** **** Apr. 30, 2019**

- (54) **BEVERAGE CONTAINER**
- (71) Applicant: **GBMC Products Inc.**, Gardiner, NY (US)
- (72) Inventors: **Matt Chin**, New York, NY (US);
Gareth Brown, Gardiner, NY (US);
Stephen Kaes, New York, NY (US)
- (73) Assignee: **Impel Studio LLC**, New York, NY (US)
- (**) Term: **15 Years**
- (21) Appl. No.: **29/591,082**
- (22) Filed: **Jan. 17, 2017**
- (51) **LOC (11) Cl.** **07-01**
- (52) **U.S. Cl.**
USPC **D7/510; D7/511; D7/523**
- (58) **Field of Classification Search**
USPC D7/505, 507, 509, 510, 511, 523, 602,
D7/305, 400, 397, 388, 529, 532, 392.1,
D7/396.2, 667, 533, 536, 530; D9/500,
D9/501, 502, 518, 531, 532, 434, 435;
220/592.16, 592.17, 495.03, 200
CPC A47G 19/22; A47G 19/2205; A47G
19/2266; A45F 3/16; A47J 43/27; A47J
41/02
See application file for complete search history.

(56) **References Cited**

U.S. PATENT DOCUMENTS

- 2,012,113 A * 8/1935 Thompson A47G 19/2205
215/363
- D107,994 S * 1/1938 Hansen D7/532
- 3,677,524 A * 7/1972 Douglas A47J 43/27
215/13.1
- 4,416,370 A * 11/1983 Beall A47G 33/002
206/19
- D282,152 S * 1/1986 Mendenhall D11/146

- 4,717,037 A * 1/1988 van der Meulen .. B65D 47/265
220/703
- D353,973 S * 1/1995 Adado D7/510
- D360,558 S * 7/1995 Appleman D7/300.2
- 5,657,572 A * 8/1997 Little A01K 97/26
220/8
- D409,051 S * 5/1999 Huang D7/598
- D422,179 S * 4/2000 Stephenson D7/510
- D457,034 S * 5/2002 Bodum D7/510
- D479,951 S * 9/2003 Segura D7/608

(Continued)

Primary Examiner — Marianne N Pandozzi

Assistant Examiner — Jae Liang

(74) *Attorney, Agent, or Firm* — Gloria Tsui-Yip, Esq.;
Gottlieb, Rackman & Reisman, P.C.

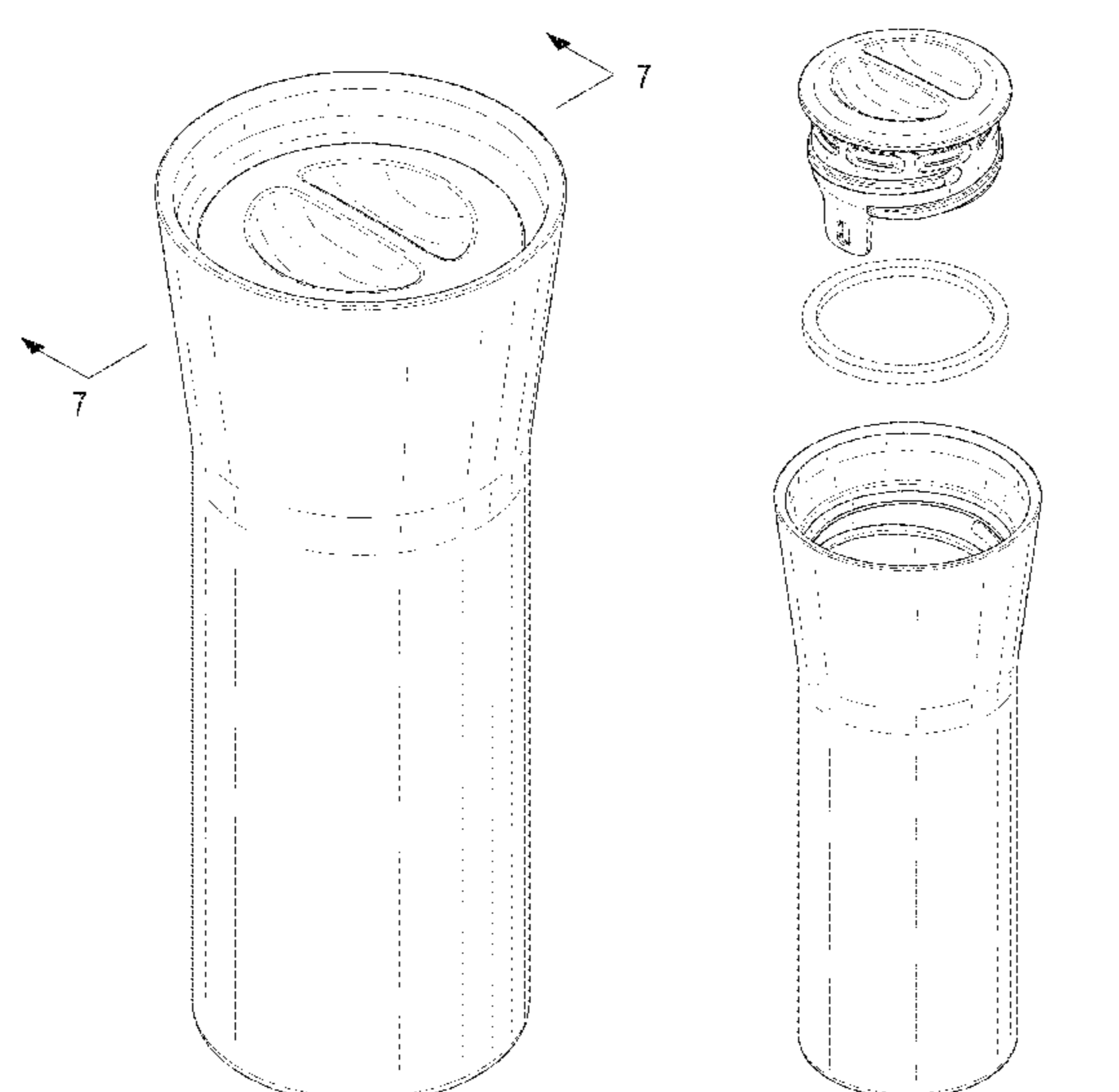
(57) **CLAIM**

The ornamental design for a beverage container, as shown and described.

DESCRIPTION

FIG. 1 is a front elevational view of a beverage container showing my new design, the rear elevational view being identical;
 FIG. 2 is a left side view thereof, the right side view being identical;
 FIG. 3 is a top plan view thereof;
 FIG. 4 is a bottom plan view thereof;
 FIG. 5 is a perspective view thereof;
 FIG. 6 is an exploded perspective view of the three components, body, seal and lid;
 FIG. 7 is a cross-sectional view taken along line 7-7 of FIG. 5;
 FIG. 8 is a perspective view of the lid portion shown separately to show aspects of the design that may not be apparent in the other views; and,
 FIG. 9 is another perspective view thereof.
 The broken lines in the drawings depict portions of the beverage container that form no part of the claimed design.

1 Claim, 8 Drawing Sheets



(56)

References Cited

U.S. PATENT DOCUMENTS

D527,223 S *	8/2006	Thun	D7/523	D709,329 S *	7/2014	Ross	D7/507
D553,442 S *	10/2007	Bodum	D7/509	D711,192 S *	8/2014	Picozza	D7/300.1
D569,181 S *	5/2008	Homma	D7/510	8,939,312 B1 *	1/2015	Buck	A47G 19/065 220/212
D573,390 S *	7/2008	Ablo	D7/300	D727,102 S *	4/2015	Eyal	D7/510
D574,190 S *	8/2008	Homma	D7/510	D728,297 S *	5/2015	Melzer	D7/300.1
D612,240 S *	3/2010	Cresswell	D9/454	D749,948 S *	2/2016	Groglopo Favetto	D9/443
D621,648 S *	8/2010	Lown	D7/300.1	D751,345 S *	3/2016	Lane	D7/510
D622,547 S *	8/2010	Carreno	D7/510	D756,498 S *	5/2016	Norman	D23/355
D649,403 S *	11/2011	Eyal	D7/510	D760,542 S *	7/2016	Vu	D7/510
D651,853 S *	1/2012	Eyal	D7/510	D762,080 S *	7/2016	Liebowitz	D7/300.1
D658,431 S *	5/2012	Gilbert	D7/392.1	D764,233 S *	8/2016	Lee	D7/509
D662,361 S *	6/2012	Eyal	D7/510	D765,277 S *	8/2016	Potts	D26/22
D662,776 S *	7/2012	Eyal	D7/510	D770,852 S *	11/2016	Vu	D7/510
D671,787 S *	12/2012	Lin	D7/300.1	D780,517 S *	3/2017	Boroski	D7/510
D677,122 S *	3/2013	Liu	D7/510	D790,923 S *	7/2017	Boroski	D7/529
D684,813 S *	6/2013	Eyal	D7/392	D803,687 S *	11/2017	Fernandez	D9/738
D696,790 S *	12/2013	Nemeth	D24/224	D815,904 S *	4/2018	Lane	D7/510
				2018/0050845 A1 *	2/2018	Chin	A47G 19/2272

* cited by examiner

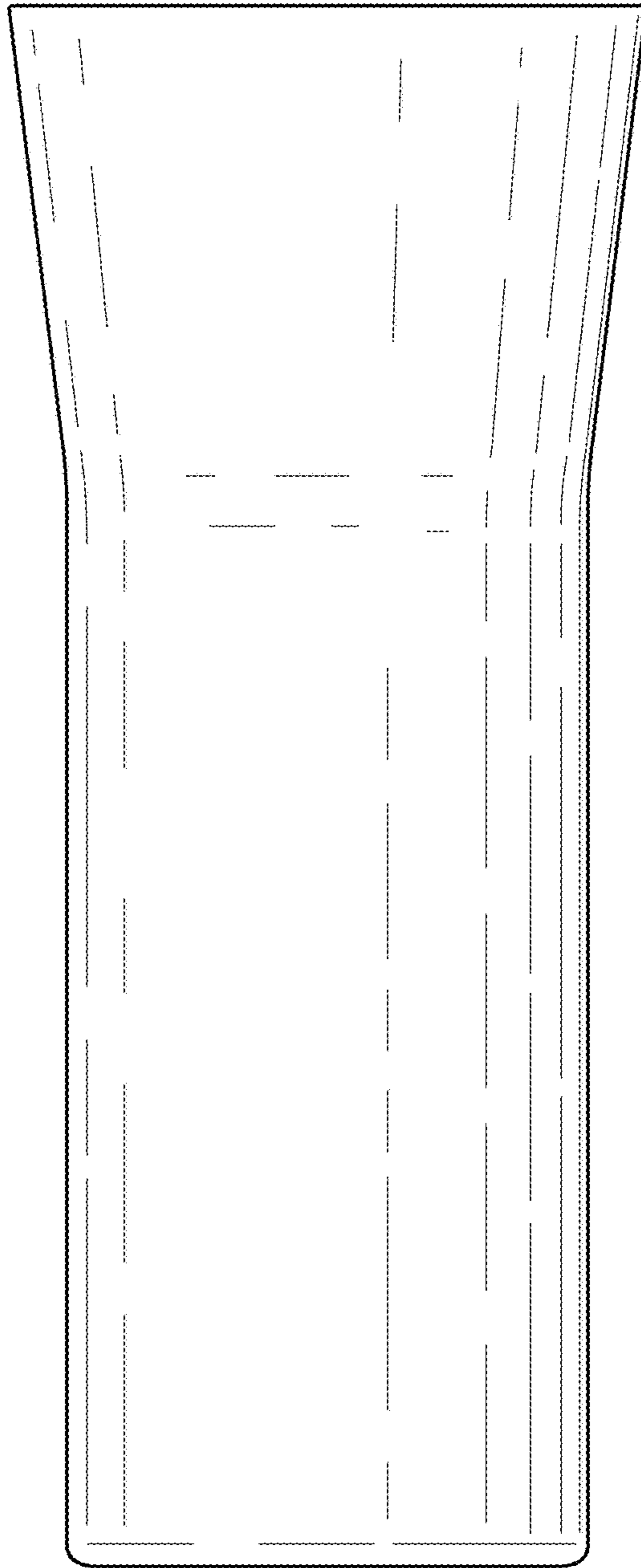


Fig.1

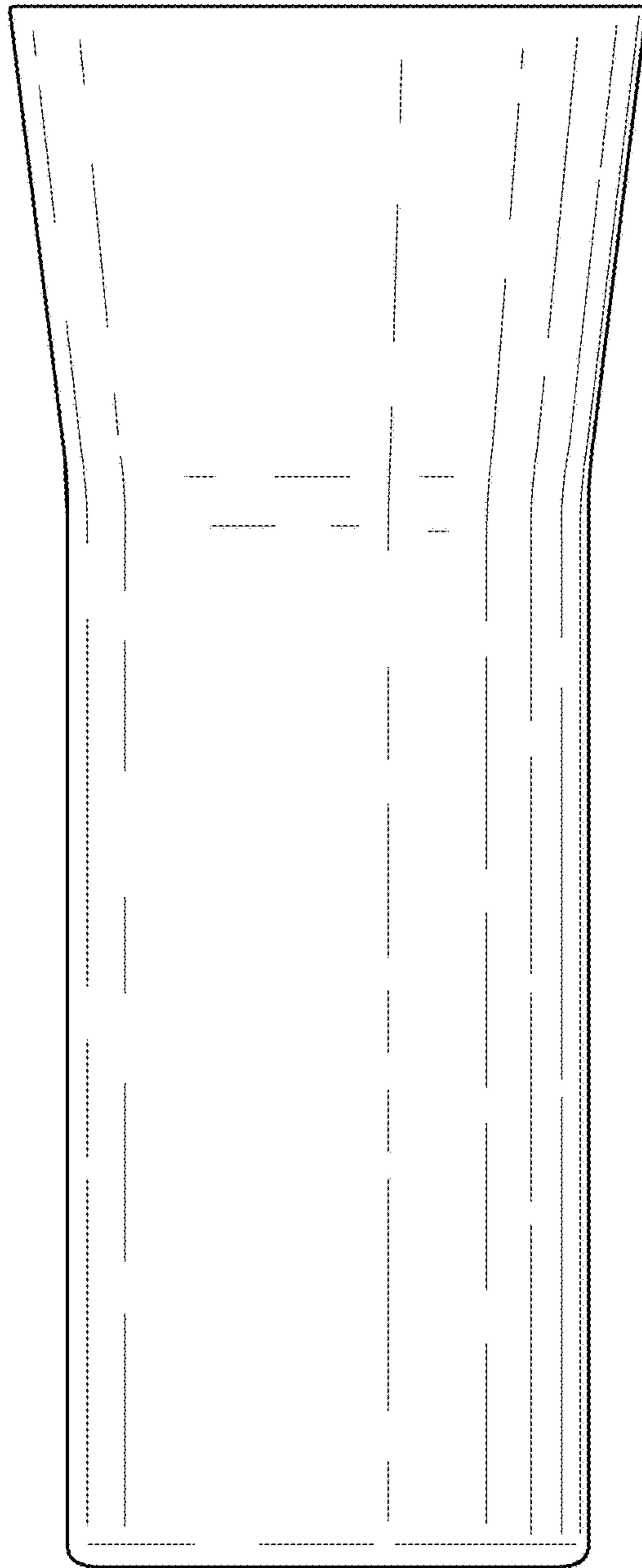


Fig.2

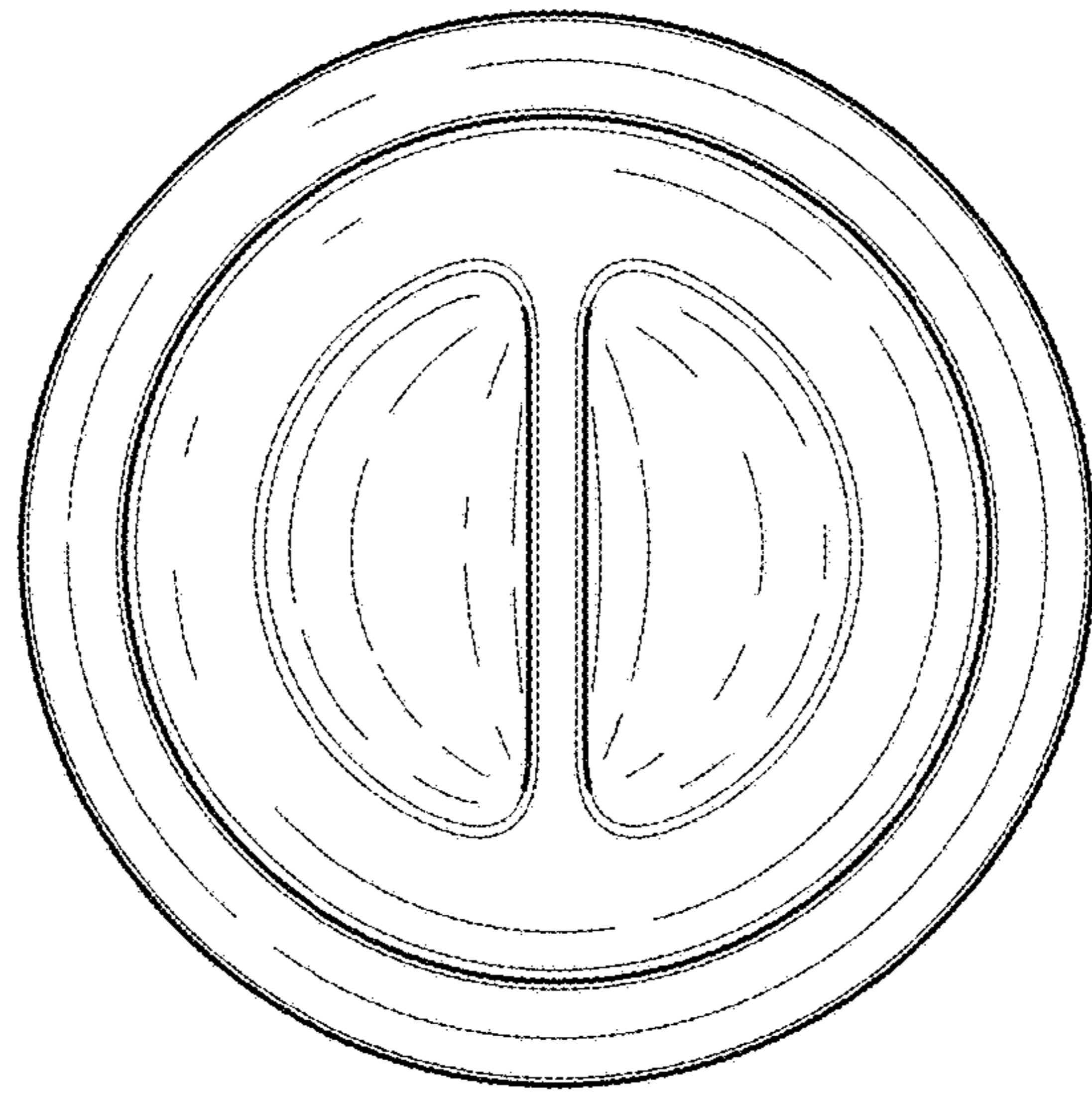


Fig.3

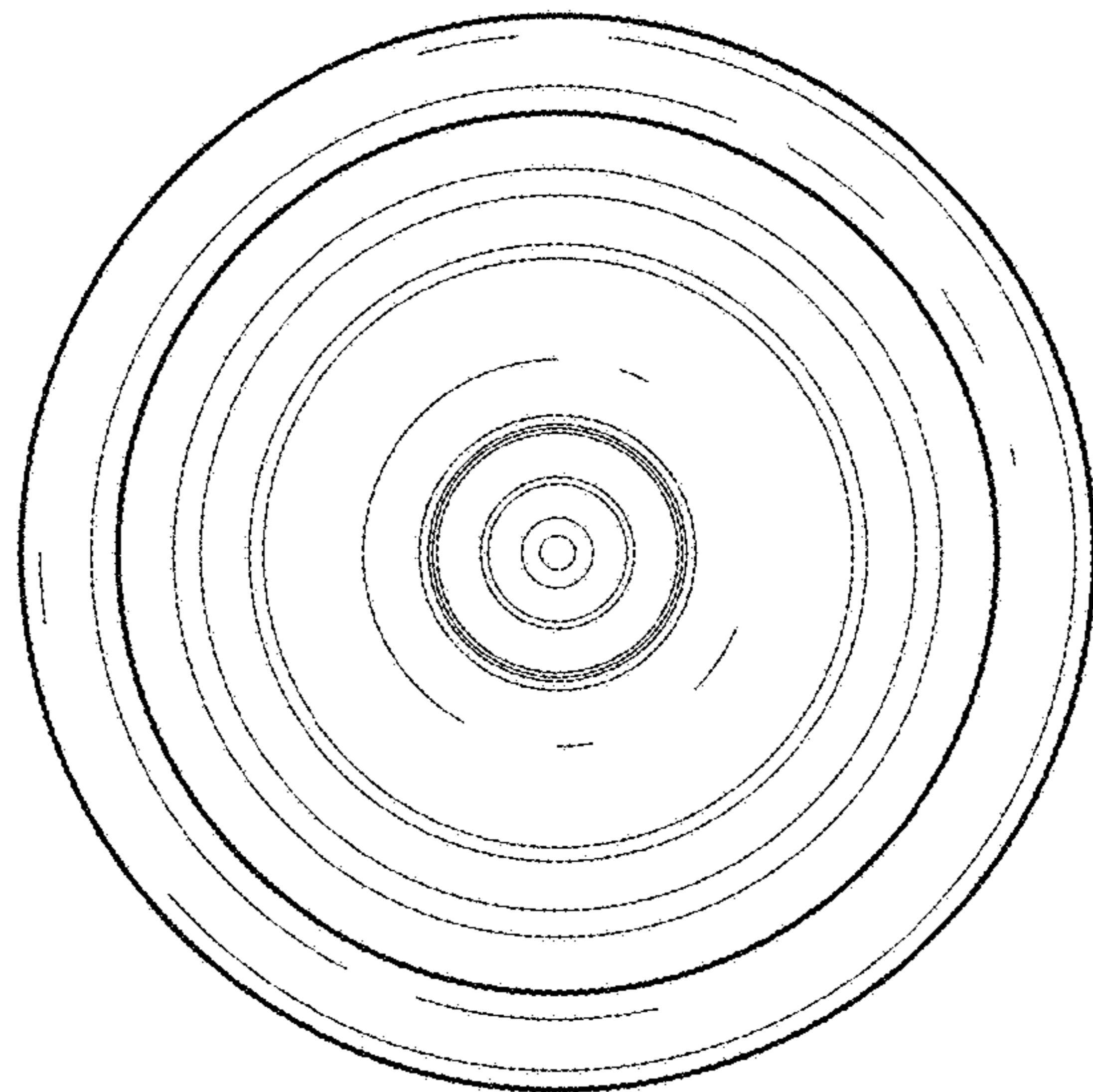


Fig.4

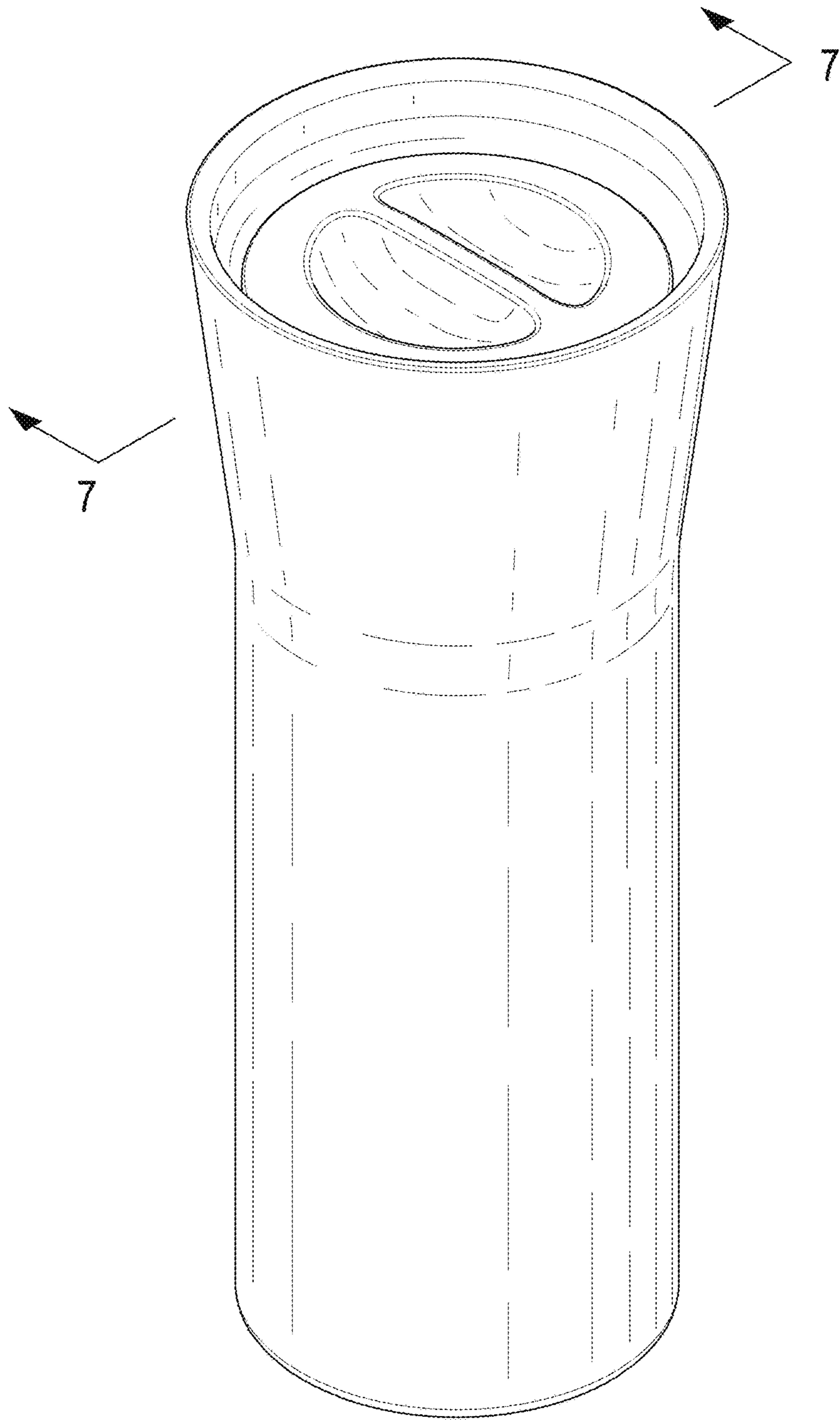


Fig.5

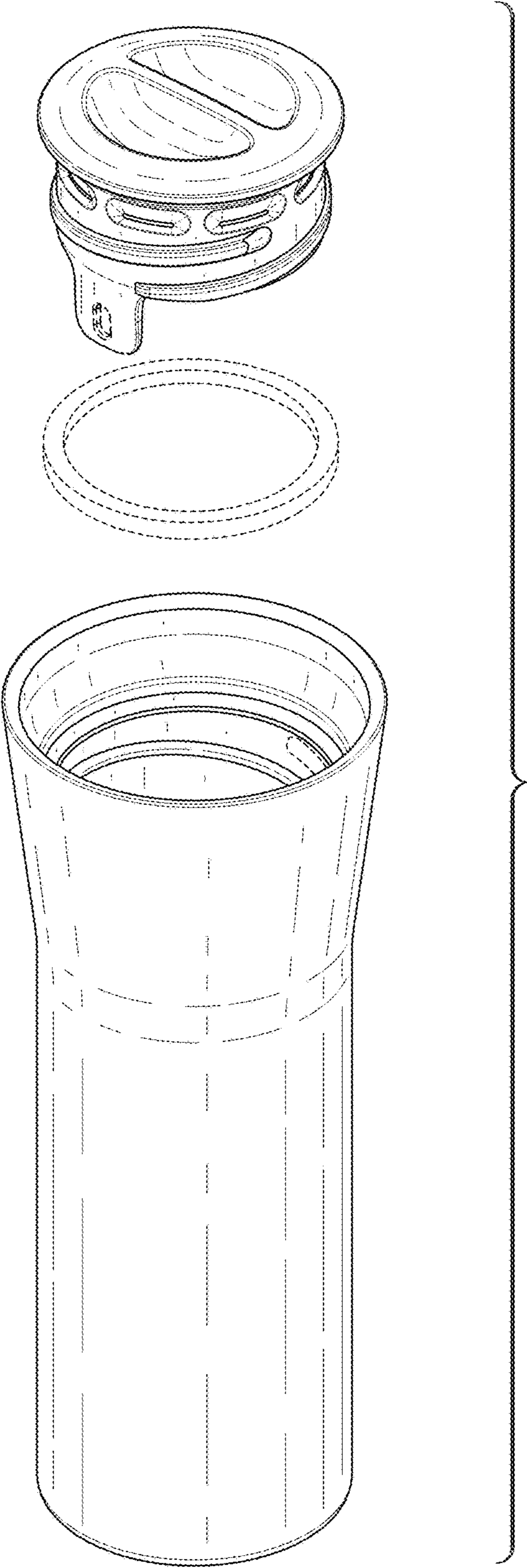


Fig.6

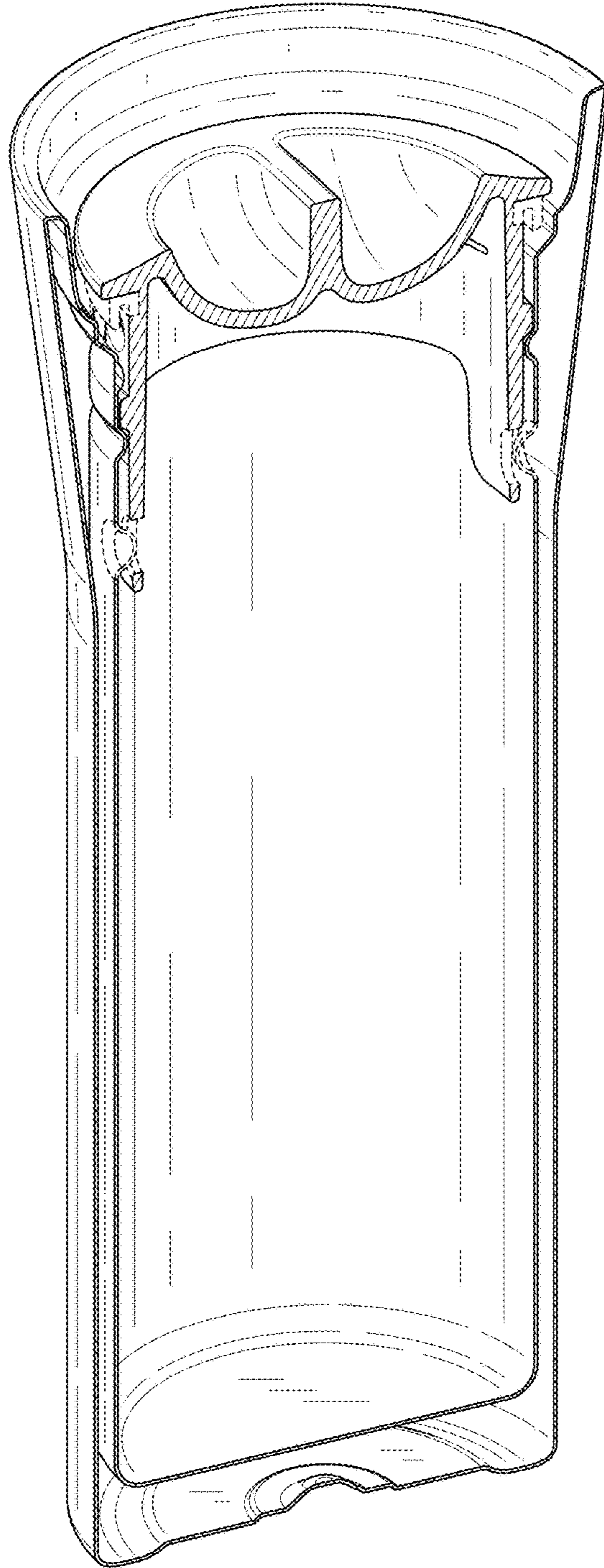


Fig.7

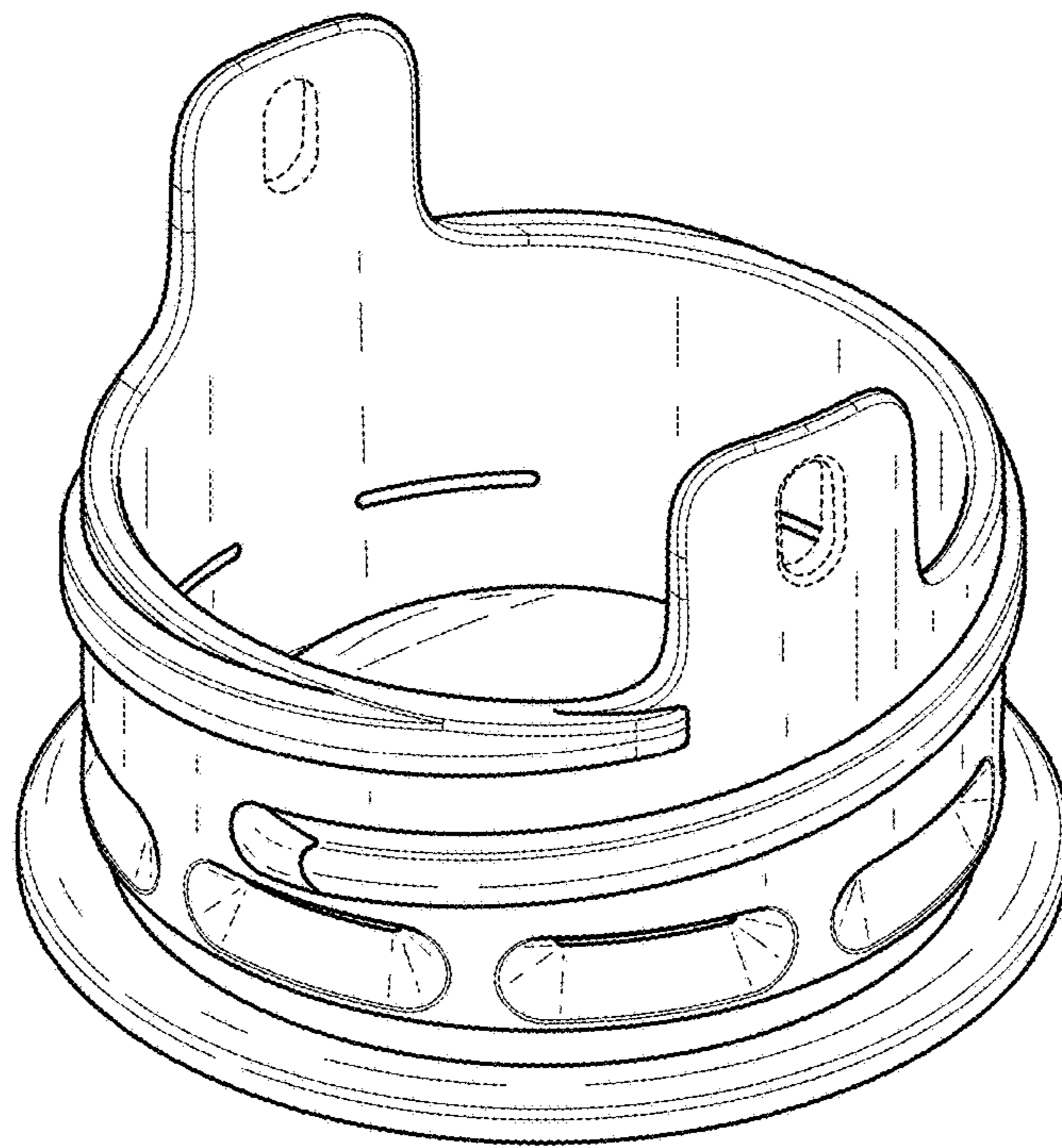


Fig.8

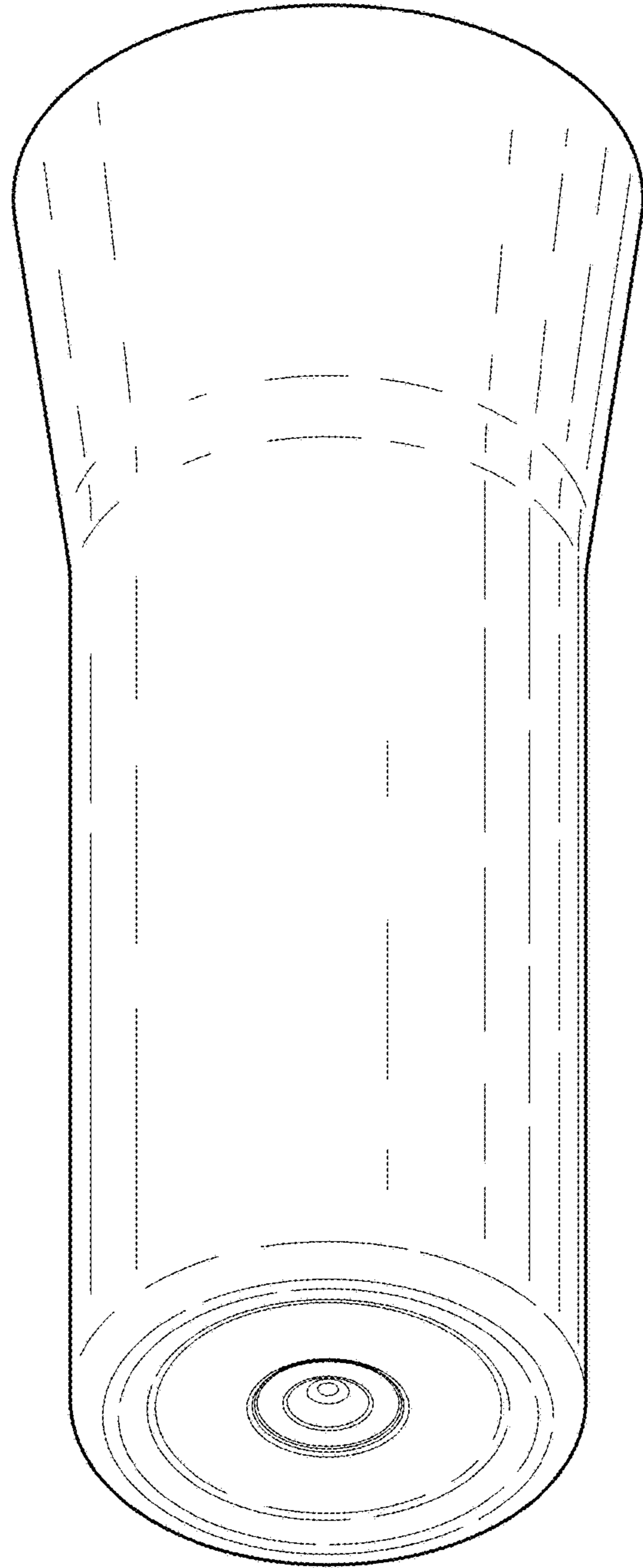


Fig.9