



US00D846947S

(12) **United States Design Patent**
Godinger

(10) **Patent No.:** **US D846,947 S**

(45) **Date of Patent:** **** Apr. 30, 2019**

(54) **DRINKING GLASS WITH CIGAR HOLDER**

(71) Applicant: **Arnold Godinger**, Brooklyn, NY (US)

(72) Inventor: **Arnold Godinger**, Brooklyn, NY (US)

(73) Assignee: **GODINGER SILVER ART, LTD.**,
Ridgewood, NY (US)

(**) Term: **15 Years**

(21) Appl. No.: **29/673,476**

(22) Filed: **Dec. 14, 2018**

D577,549 S *	9/2008	Plante	D7/538
D605,468 S	12/2009	Borrello		
D617,942 S	6/2010	LoRe		
D623,016 S	9/2010	Borrello		
D631,700 S	2/2011	Flick		
D646,926 S	10/2011	Willat		
D654,318 S	2/2012	O'Neill		
D663,163 S	7/2012	Dick		
D664,397 S	7/2012	Franco		
D714,646 S *	10/2014	Libman	D9/523
D721,541 S	1/2015	Evans		
D736,454 S *	8/2015	Audibert	D27/183
D754,536 S *	4/2016	Arriaga	D9/436
D755,568 S	5/2016	Lee		
D767,090 S	9/2016	Zimak		
D800,500 S *	10/2017	Bricker	D7/509
D805,249 S *	12/2017	Casalino	D27/183

(Continued)

Related U.S. Application Data

(63) Continuation of application No. 29/666,022, filed on Oct. 9, 2018.

(51) **LOC (11) Cl.** **07-01**

(52) **U.S. Cl.**
USPC **D7/507**; D7/533; D7/509

(58) **Field of Classification Search**
USPC D7/50, 507, 509, 532; D27/183
CPC B62J 11/00; A24F 13/08; A24F 13/06; B65D
3/22
See application file for complete search history.

(56) **References Cited**

U.S. PATENT DOCUMENTS

D224,701 S	9/1972	Wright		
D279,763 S	7/1985	Hestehave		
D282,232 S	1/1986	Bussell		
D340,385 S	10/1993	Durand		
D343,991 S *	2/1994	Schaepi	D7/533
D356,542 S	3/1995	Finkiewicz		
D376,729 S	12/1996	Maki		
D411,414 S	6/1999	Berger		
D442,736 S	5/2001	McGilvray		
D550,898 S *	9/2007	Burkholder	D27/183

Primary Examiner — Marianne N Pandozzi

(74) *Attorney, Agent, or Firm* — Cozen O'Connor

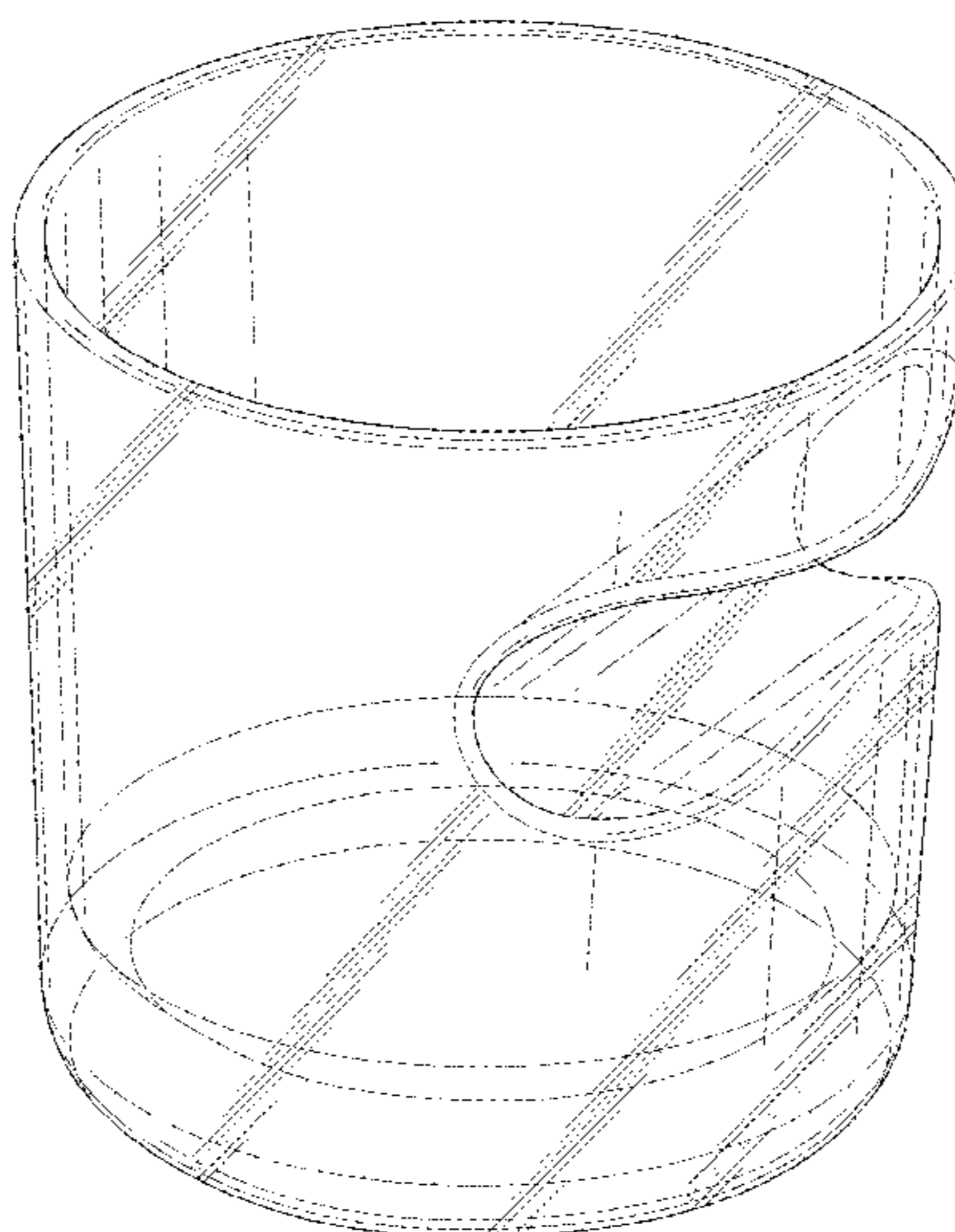
(57) **CLAIM**

The ornamental design for a drinking glass with cigar holder, as shown and described.

DESCRIPTION

FIG. 1 is a top perspective view of a drinking glass with cigar holder;
FIG. 2 is a left side view thereof;
FIG. 3 is a right side view thereof;
FIG. 4 is a front view thereof;
FIG. 5 is a rear view thereof;
FIG. 6 is a top view thereof;
FIG. 7 is a bottom view thereof; and,
FIG. 8 is an environmental top perspective view thereof.
The features shown in phantom are for environmental purposes only and do not form a part of the claimed design.
The broken lines in the drawings depict environmental subject matter only and form no part of the claimed design.

1 Claim, 8 Drawing Sheets



(56)

References Cited

U.S. PATENT DOCUMENTS

D805,845 S * 12/2017 Hoffman D7/507
D806,479 S * 1/2018 Perrulli B65D 1/0276
D7/523
2011/0132781 A1* 6/2011 Willat B65D 1/0276
206/217
2016/0015159 A1* 1/2016 Laskin A45F 5/02
224/181
2017/0000186 A1* 1/2017 Russell A24F 13/12
2018/0105090 A1* 4/2018 Allen B62J 11/00

* cited by examiner

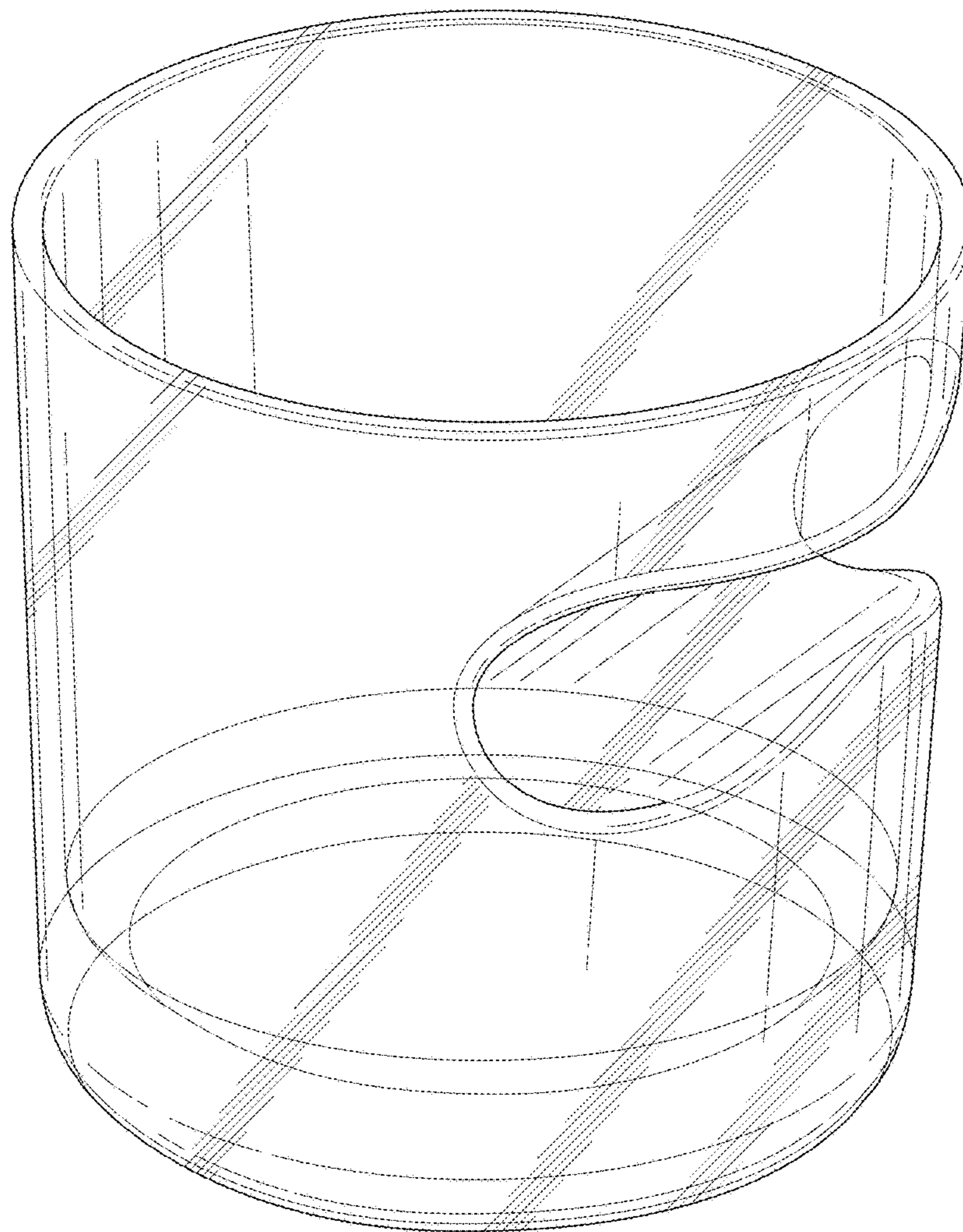


FIG. 1

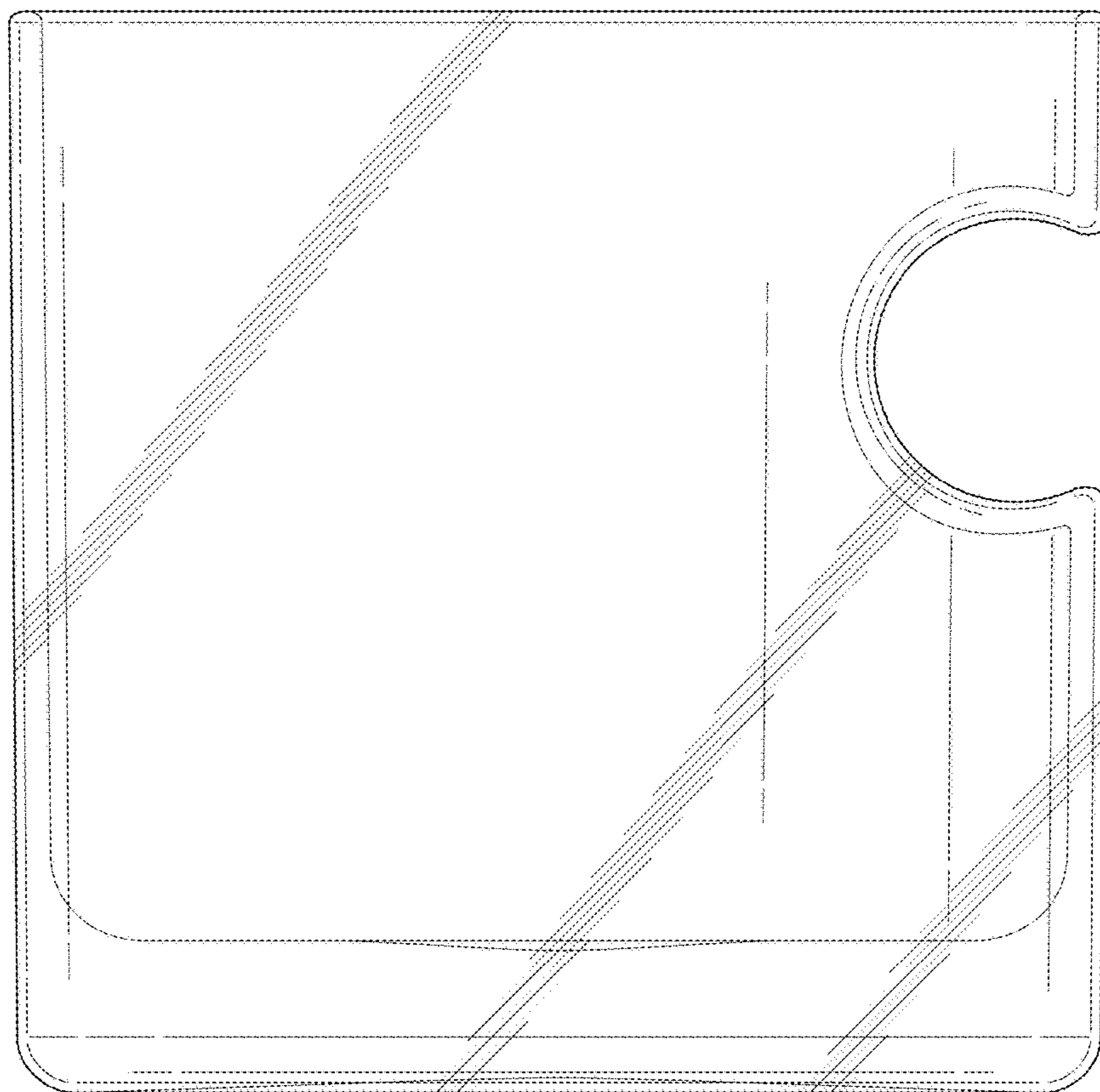


FIG. 2

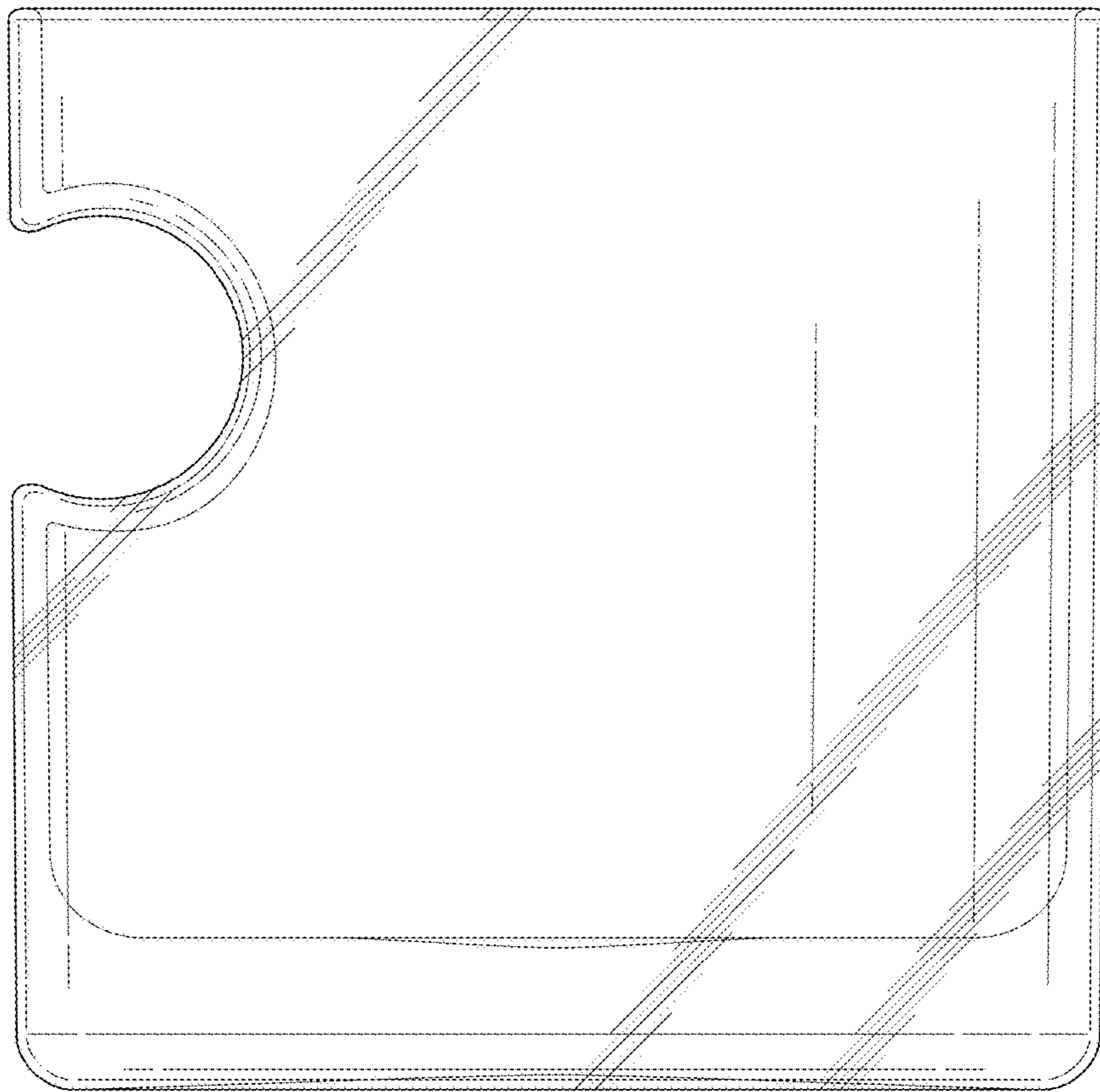


FIG. 3

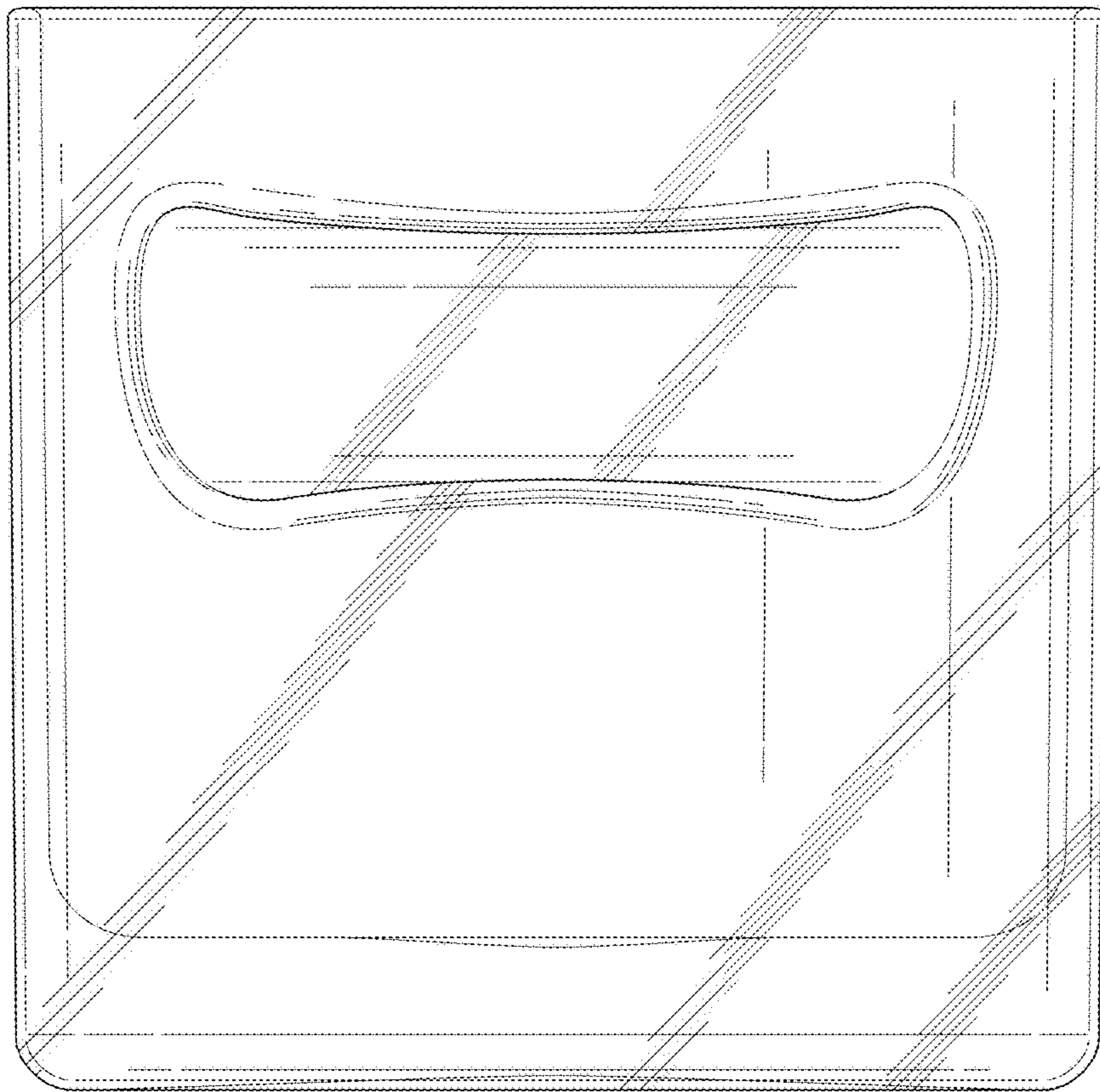


FIG. 4

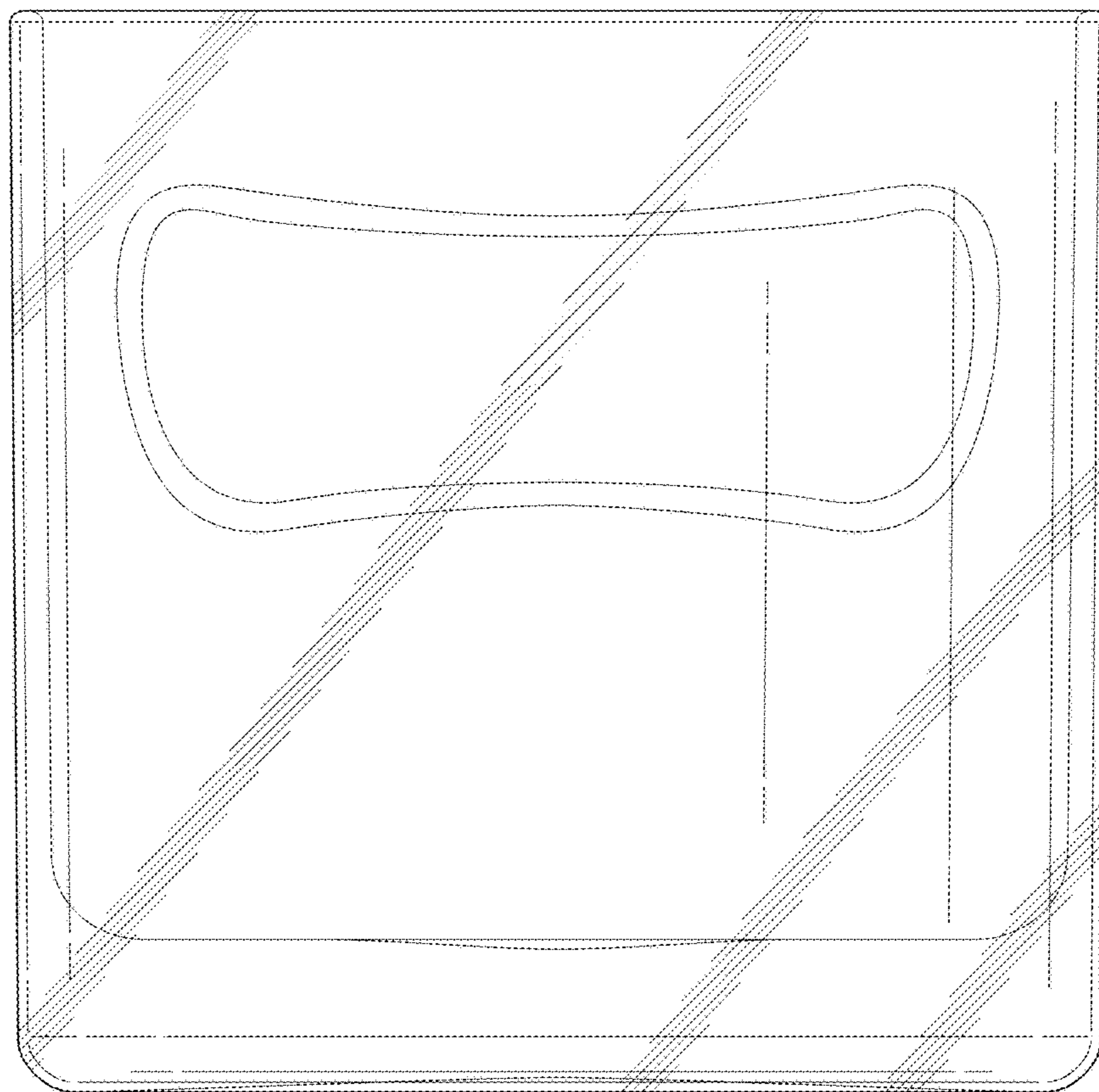


FIG. 5

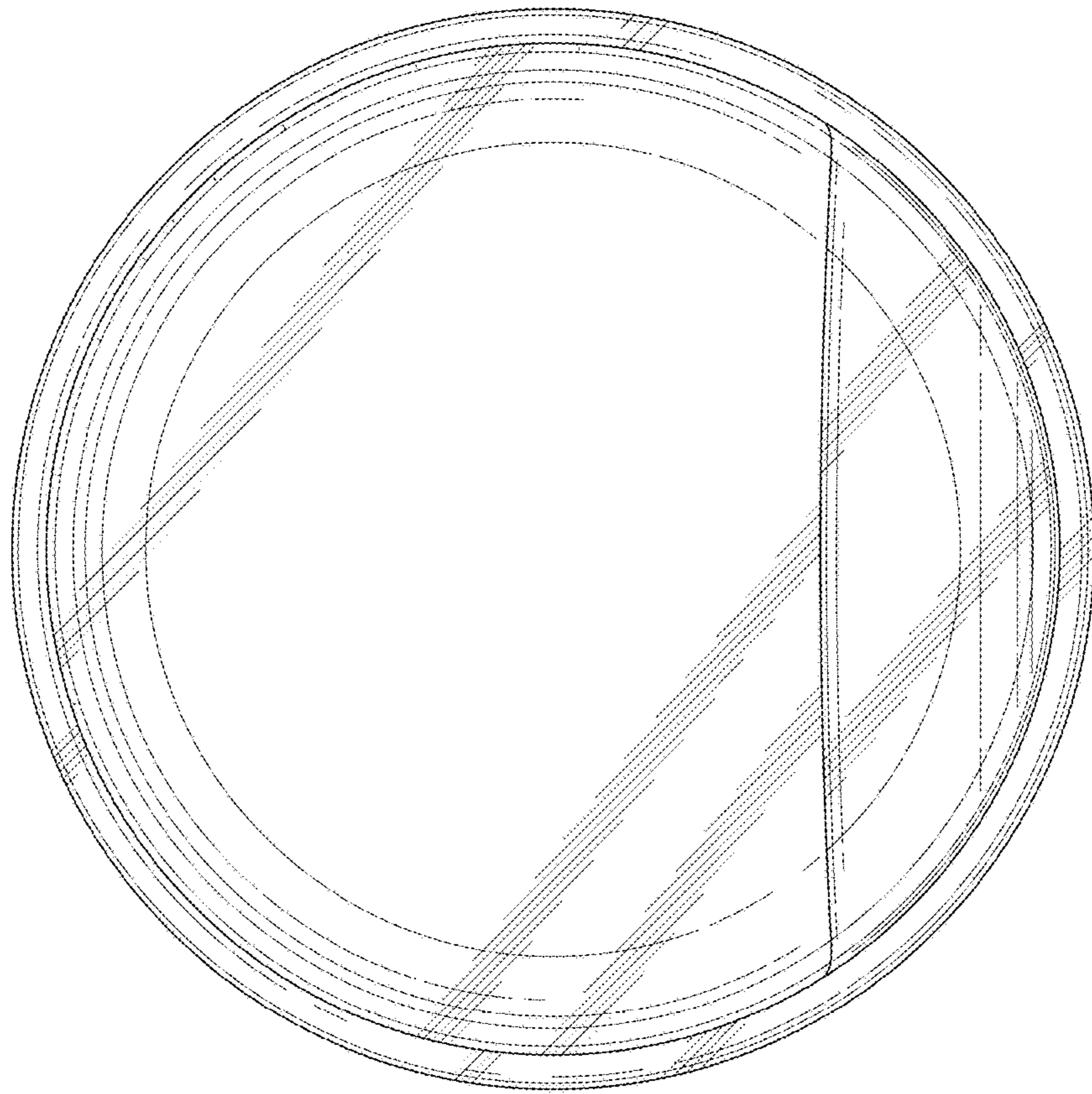


FIG. 6

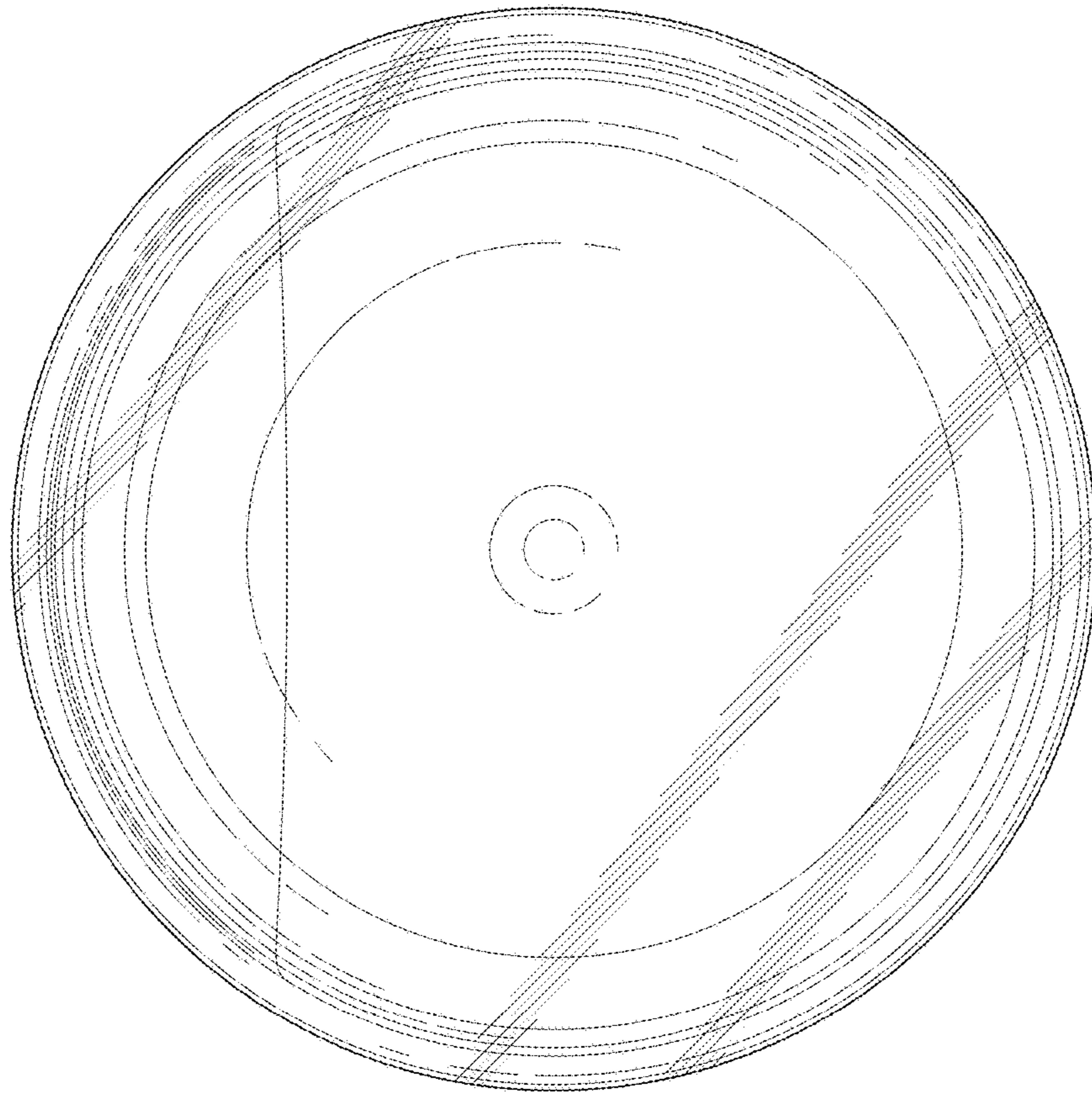


FIG. 7

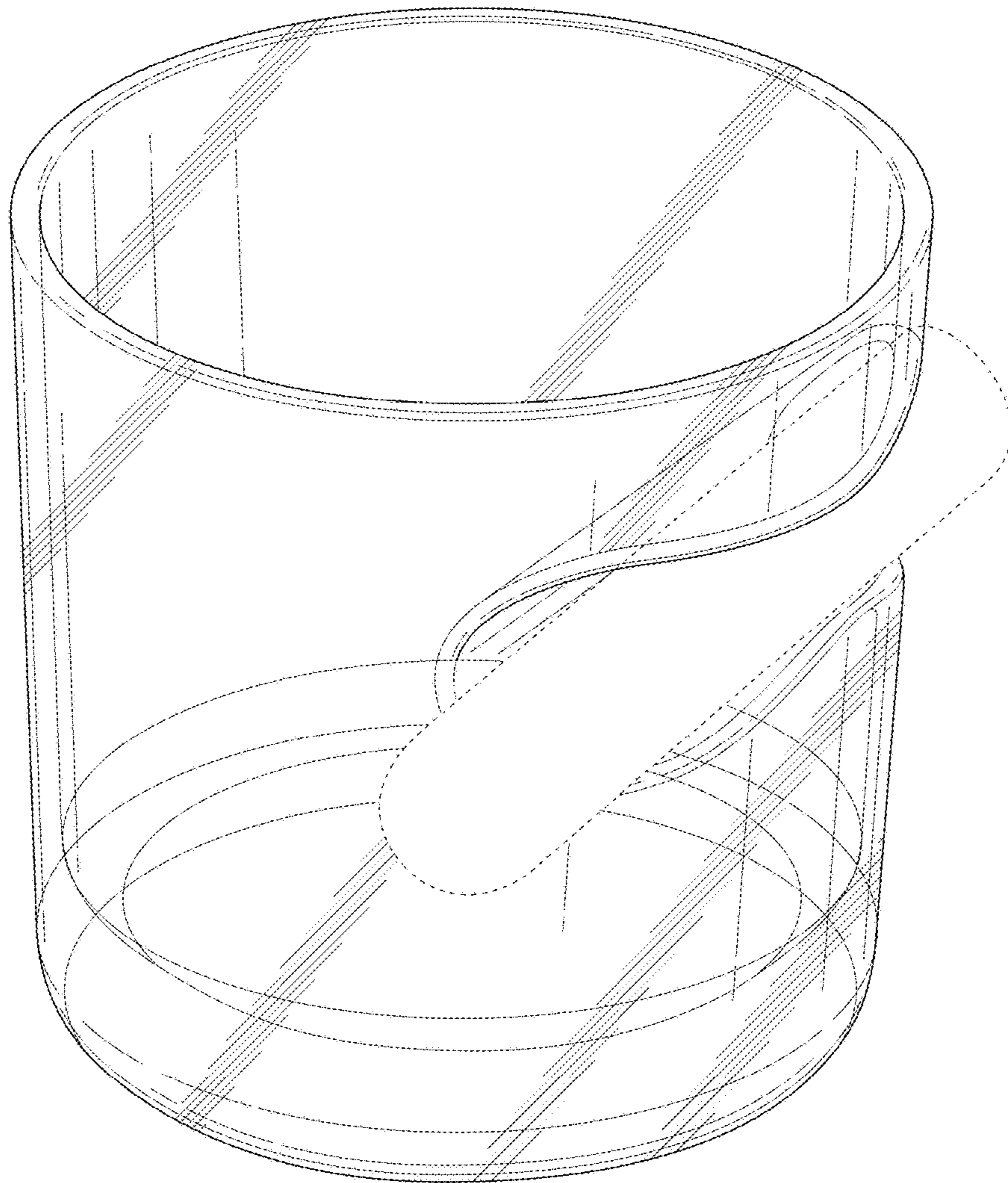


FIG. 8