



US00D846946S

(12) **United States Design Patent** (10) **Patent No.:** **US D846,946 S**
Tu (45) **Date of Patent:** **** Apr. 30, 2019**

(54) **BLENDER ATTACHMENT**

FOREIGN PATENT DOCUMENTS

(71) Applicant: **SharkNinja Operating LLC**,
Needham, MA (US)

EP 1586259 A1 10/2005
EP 2368470 A1 9/2011

(Continued)

(72) Inventor: **Joyce Chien Tu**, Arlington, MA (US)

OTHER PUBLICATIONS

(73) Assignee: **SHARKNINJA OPERATING LLC**,
Needham, MA (US)

Final Office Action; U.S. Appl. No. 14/724,356, filed May 28, 2015;
Grinder Attachment for Blender System; dated Aug. 18, 2017; 13
Pages.

(**) Term: **15 Years**

(Continued)

(21) Appl. No.: **29/633,938**

(22) Filed: **Jan. 17, 2018**

Primary Examiner — Ricky Pham

(74) *Attorney, Agent, or Firm* — Cantor Colburn LLP

Related U.S. Application Data

(62) Division of application No. 29/601,246, filed on Apr.
20, 2017, now Pat. No. Des. 811,168, which is a
(Continued)

(57) **CLAIM**

The ornamental design for blender attachment, as shown and
described.

(51) **LOC (11) Cl.** **31-00**

(52) **U.S. Cl.**

USPC **D7/412**; D7/376; D7/378; D7/413

(58) **Field of Classification Search**

USPC D7/372, 376–386, 412–413, 602, 629,
D7/665–666, 669, 679, 693–694

CPC A21C 1/02; A21C 1/04; A23N 1/00; A23N
1/02; A47J 43/04; A47J 43/25; A47J
43/27; A47J 43/042; A47J 43/044; A47J
43/046; A47J 43/075; A47J 43/0722;
A47J 43/0727; B01F 3/00; B01F 3/0807;
B01F 3/0853; B01F 13/0059; B01F
13/0064; B02C 1/08; B02C 2/04; B02C
4/42; B02C 4/142; B02C

(Continued)

DESCRIPTION

FIG. 1 is a perspective view of a blender attachment,
showing my new design in a first embodiment;
FIG. 2 is a front view of the embodiment shown in FIG. 1;
FIG. 3 is a side view of the embodiment shown in FIG. 1;
FIG. 4 is rear view of the embodiment shown in FIG. 1;
FIG. 5 is another side view of the embodiment shown in
FIG. 1;
FIG. 6 is a top view of the embodiment shown in FIG. 1;
and,
FIG. 7 is a bottom view of the embodiment shown in FIG.
1.

The broken lines in the figures are for environmental pur-
poses only and form no part of the claimed design.

The dash dot line form no part of the claimed design, but is
instead intended to delimit claimed subject matter from
unclaimed subject matter.

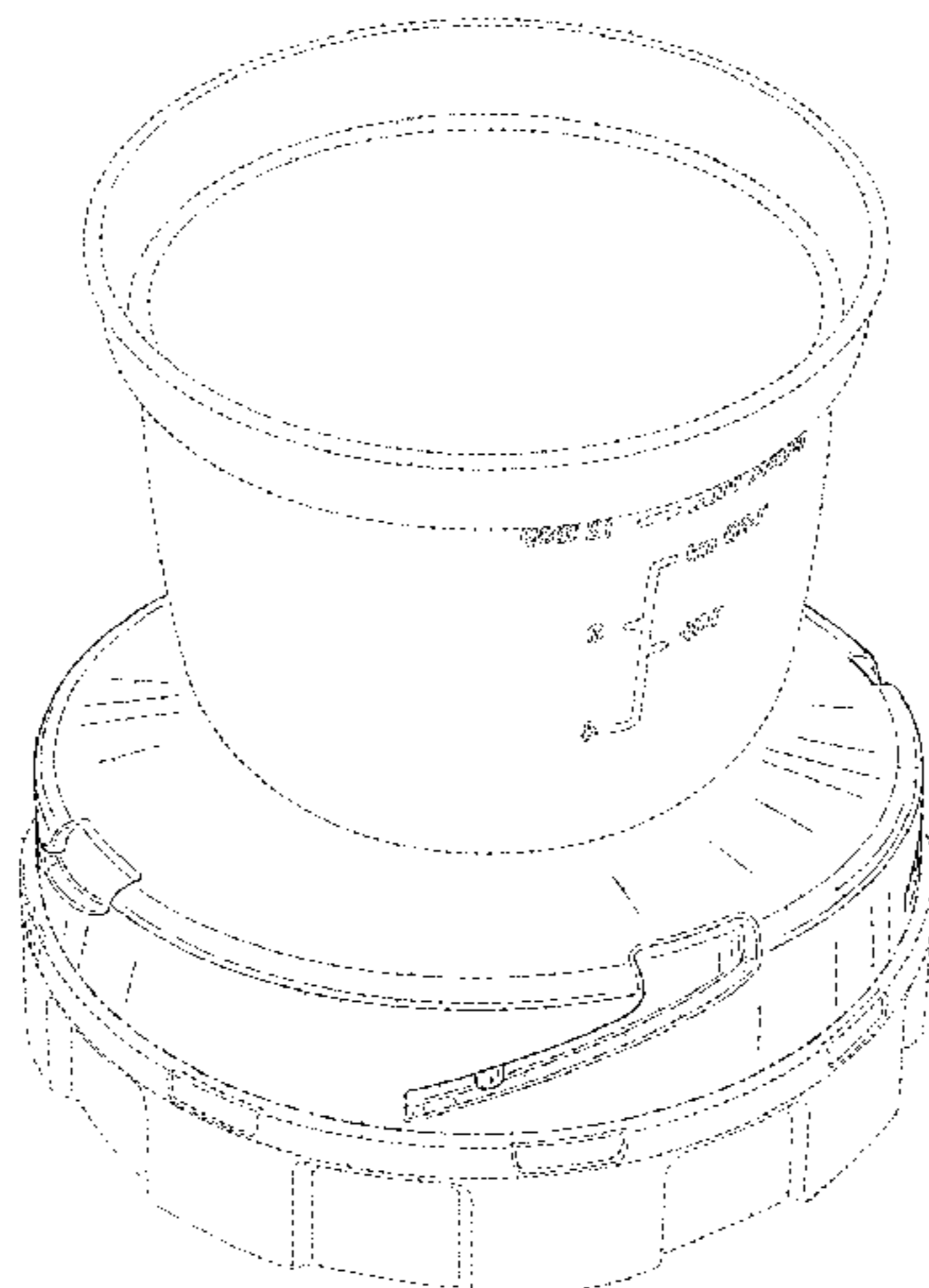
(56) **References Cited**

U.S. PATENT DOCUMENTS

2,530,455 A 11/1950 Forss
3,220,450 A 11/1965 Aronson, II et al.

(Continued)

1 Claim, 7 Drawing Sheets



Related U.S. Application Data

division of application No. 29/528,395, filed on May 28, 2015, now Pat. No. Des. 787,883.

(58) **Field of Classification Search**

CPC 4/143; B02C 4/423; B02C 13/1835; B28C 5/10; B28C 5/12; B28C 5/14; B28C 5/16
See application file for complete search history.

(56) **References Cited**

U.S. PATENT DOCUMENTS

D241,404 S	9/1976	Mantelet	
4,081,144 A	3/1978	Bouillet	
4,577,975 A	3/1986	McCrorry et al.	
D301,824 S	6/1989	Machuron	
D318,398 S	7/1991	Disco	
D343,987 S	2/1994	Rotte	
D404,606 S	1/1999	Huang	
D406,154 S	2/1999	Copland et al.	
D410,816 S	6/1999	Crescenzi et al.	
D426,423 S	6/2000	Lee	
D428,301 S	7/2000	Huang	
6,609,821 B2	8/2003	Wulf et al.	
D494,192 S	8/2004	Hirakawa et al.	
D507,578 S	7/2005	Hirakawa et al.	
7,044,051 B2	5/2006	Le Rouzic	
7,063,009 B2	6/2006	Lin	
7,066,640 B2	6/2006	Sands	
D545,126 S	6/2007	White	
7,249,879 B2	7/2007	Nabils	
7,278,779 B2	10/2007	Beesley et al.	
7,318,666 B1	1/2008	Lin et al.	
D580,986 S	11/2008	Farnworth et al.	
7,520,659 B2	4/2009	Wulf et al.	
7,632,007 B2	12/2009	Wulf et al.	
7,717,613 B1	5/2010	Epps	
7,993,054 B2	8/2011	Wulf et al.	
D649,834 S	12/2011	Sands	
8,087,603 B2	1/2012	Kolar et al.	
D655,981 S	3/2012	Gursel et al.	
8,387,520 B2	3/2013	Backus	
8,469,586 B2	6/2013	Schleinzer	
D692,275 S	10/2013	Audette	
D696,063 S	12/2013	Coakley et al.	
8,834,015 B2	9/2014	White et al.	
D730,681 S	6/2015	Smith et al.	
D731,850 S	6/2015	Smith	
9,084,508 B2	7/2015	Sandford et al.	
D741,119 S	10/2015	Wong	
D743,202 S	11/2015	Sands	
D760,331 S	6/2016	Gilchrist et al.	
D767,327 S	9/2016	McConnell et al.	
D783,353 S	4/2017	Smith	
D786,614 S	5/2017	Smith et al.	
D787,883 S *	5/2017	Tu	D7/376

9,675,212 B2 *	6/2017	Hewitt	A47J 43/0727
D808,718 S *	1/2018	Coakley	D7/413
D808,719 S *	1/2018	Coakley	D7/413
D809,333 S *	2/2018	Lee	D7/386
D809,334 S *	2/2018	Lee	D7/386
D809,342 S *	2/2018	Coakley	D7/413
D811,804 S *	3/2018	Smith	D7/384
D811,805 S *	3/2018	Smith	D7/384
D811,806 S *	3/2018	Bock	D7/386
D812,963 S *	3/2018	Smith	D7/384
D812,964 S *	3/2018	Tu	A47J 43/0727
			D7/386
D813,603 S *	3/2018	Tu	D7/413
2013/0074701 A1	3/2013	Zhao et al.	
2016/0345779 A1	12/2016	Tu	
2017/0208998 A1	7/2017	Dickson, Jr. et al.	

FOREIGN PATENT DOCUMENTS

WO	9220269 A1	11/1992
WO	2005013787 A1	2/2005

OTHER PUBLICATIONS

International Search Report; International Application No. PCT/US2016/034555; International Filing Date: May 27, 2016; dated Aug. 17, 2016; 7 Pages.
JPO Publicly Known Design No. HA24003661—Croissant, No. 11, vol. 36, May 25, 2012, 3 Pages.
JPO Publicly Known Design No. HJ22059623—Cuisinart SG-10 Electric Spice-and-Nut Grinder (Certified Refurbished), amazon.com, Date Printed: Nov. 14, 2016, 1 Page.
Non-Final Office Action; U.S. Appl. No. 14/724,356, filed May 28, 2015; Grinder Attachment for Blender System; dated Apr. 18, 2017; 17 Pages.
Non-Final Office Action; U.S. Appl. No. 14/724,356, filed May 28, 2015; Grinder Attachment for Blender System; dated Feb. 21, 2018; 20 Pages.
Notice of References; Japanese Application No. 2015-026735; dated Mar. 4, 2016; 2 Pages.
Notice of References; Japanese Application No. 2015-026738; dated Mar. 4, 2016; 2 Pages.
Optima—Blenders; URL Accessed: <http://optimahome.net/appliances/>; Date Accessed: May 26, 2016; 1 Page.
PCT International Preliminary Report on Patentability; International Application No. PCT/US2016/034555; International Filing Date: May 27, 2016, dated Nov. 28, 2017, pp. 1-7.
Written Opinion of the International Searching Authority; International Application No. PCT/US2016/034555; International Filing Date: May 27, 2016; dated Aug. 17, 2016; 6 Pages.

* cited by examiner

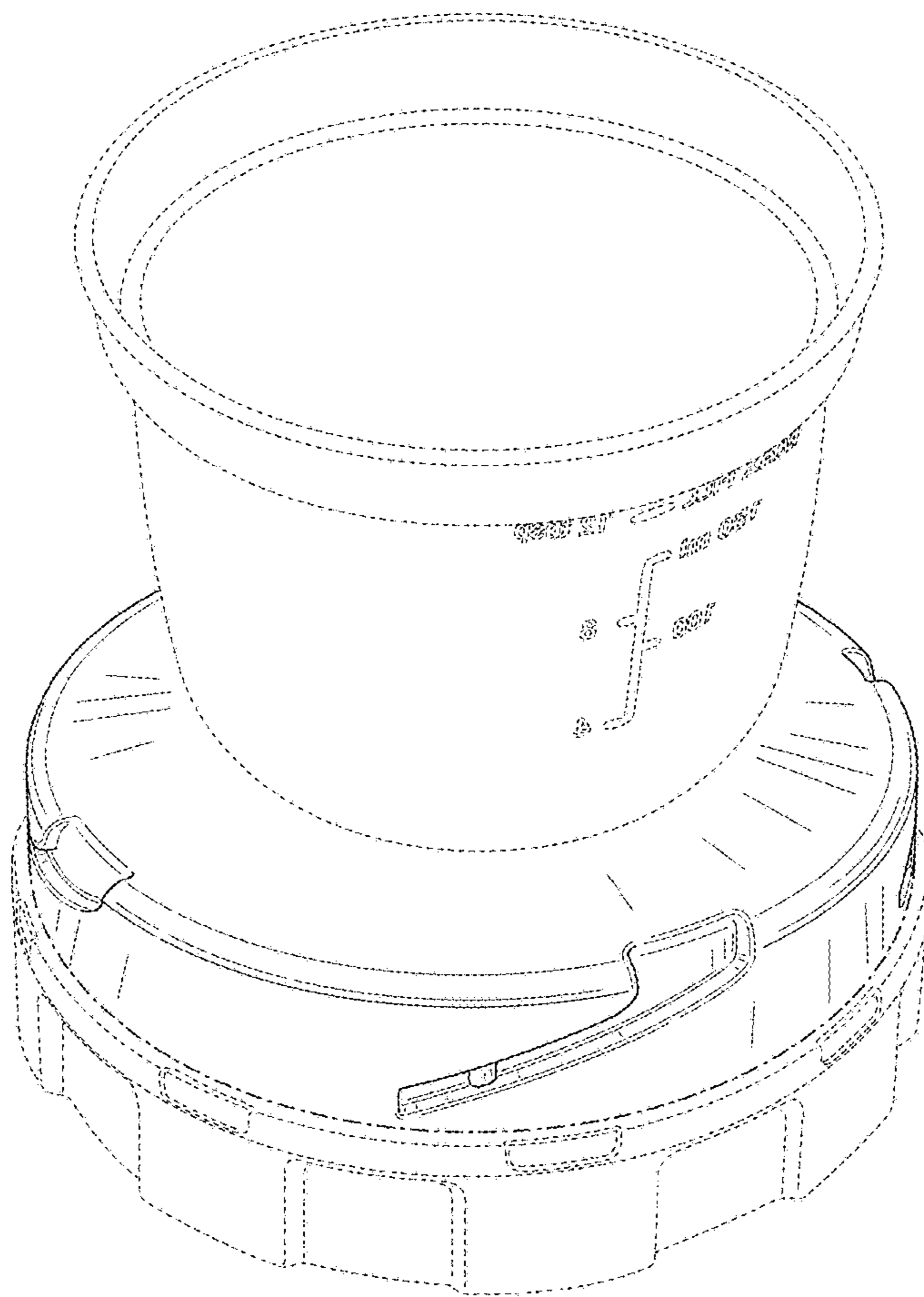


FIG. 1

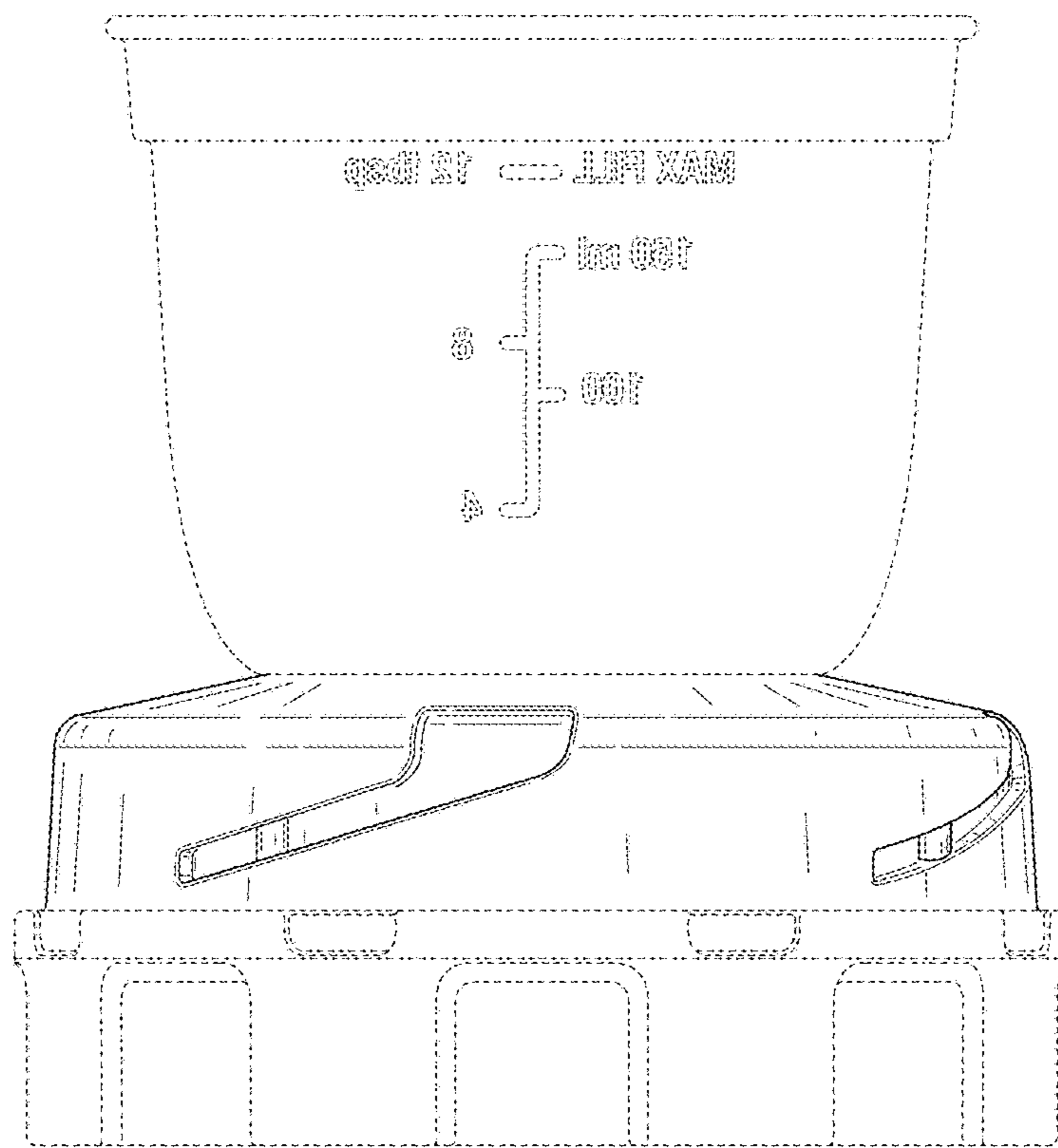


FIG. 2

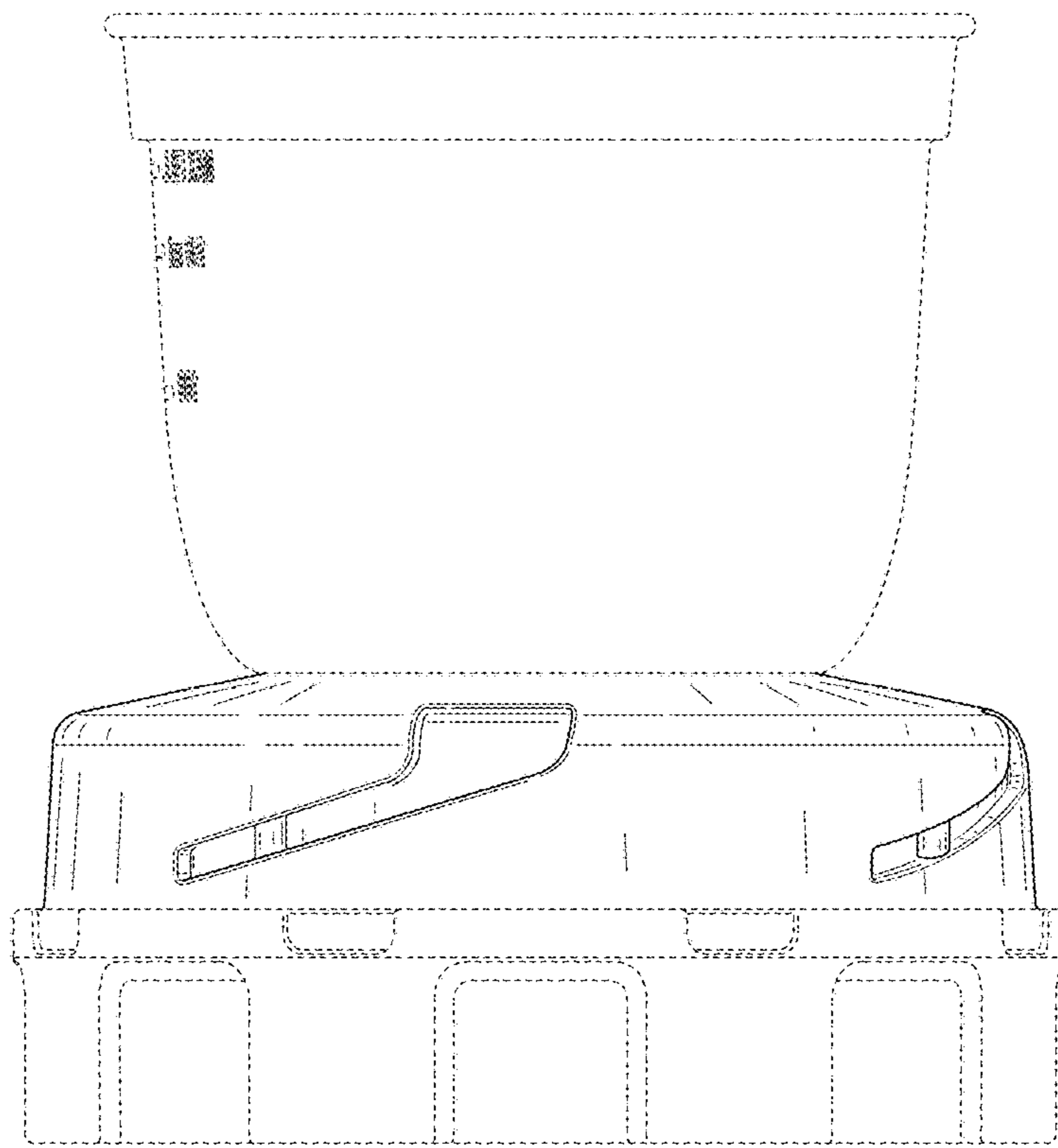


FIG. 3

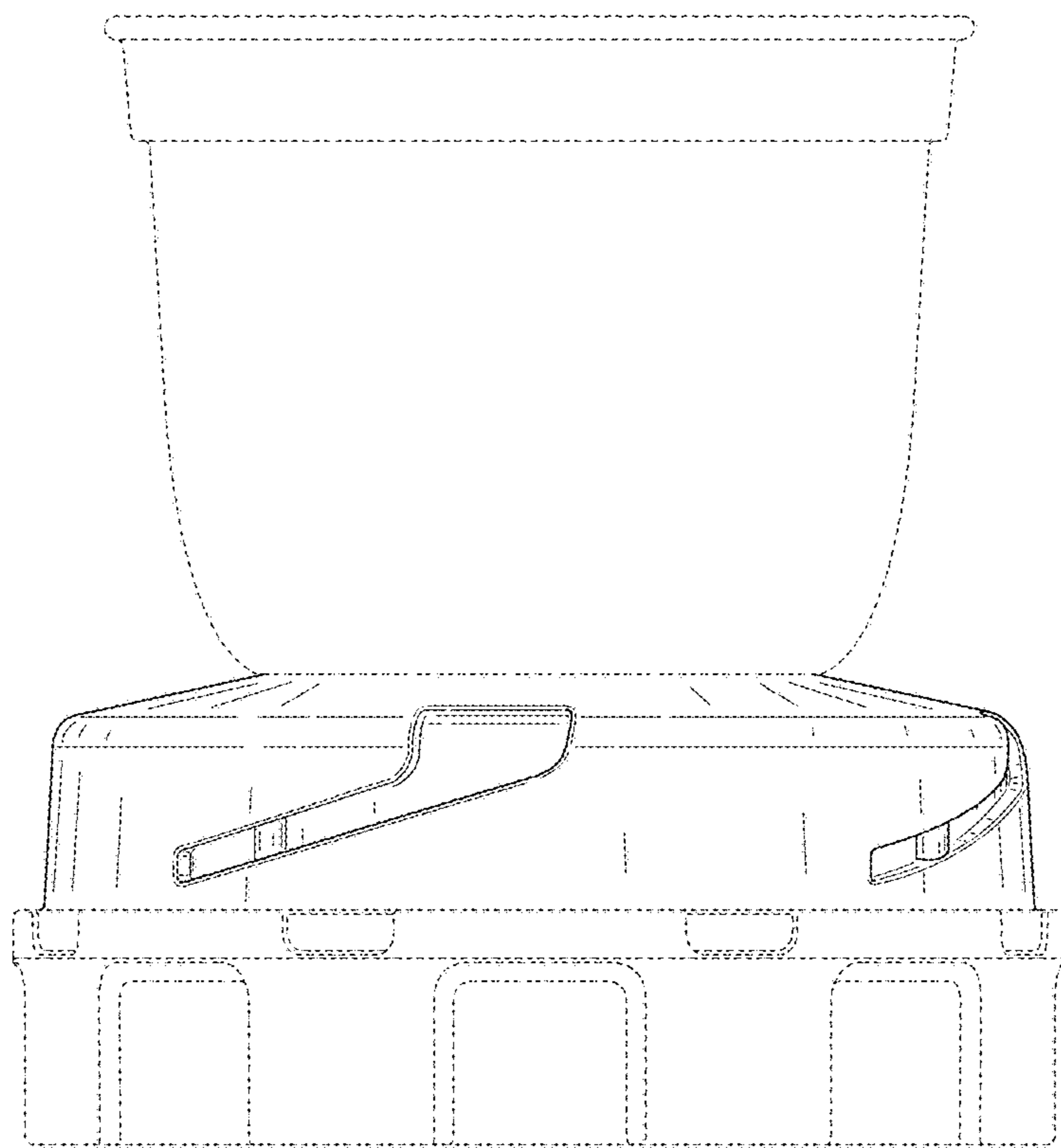


FIG. 4

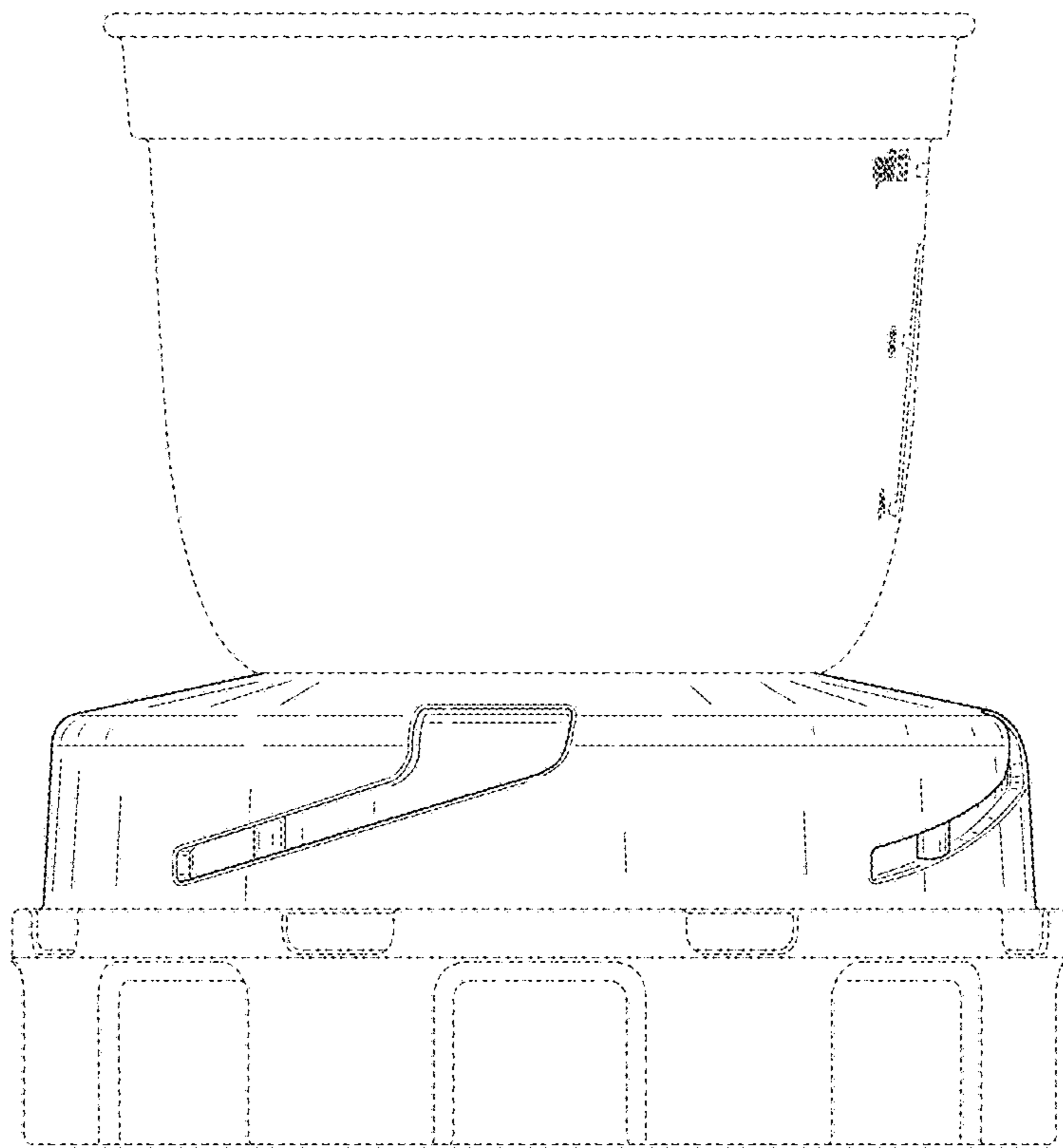


FIG. 5

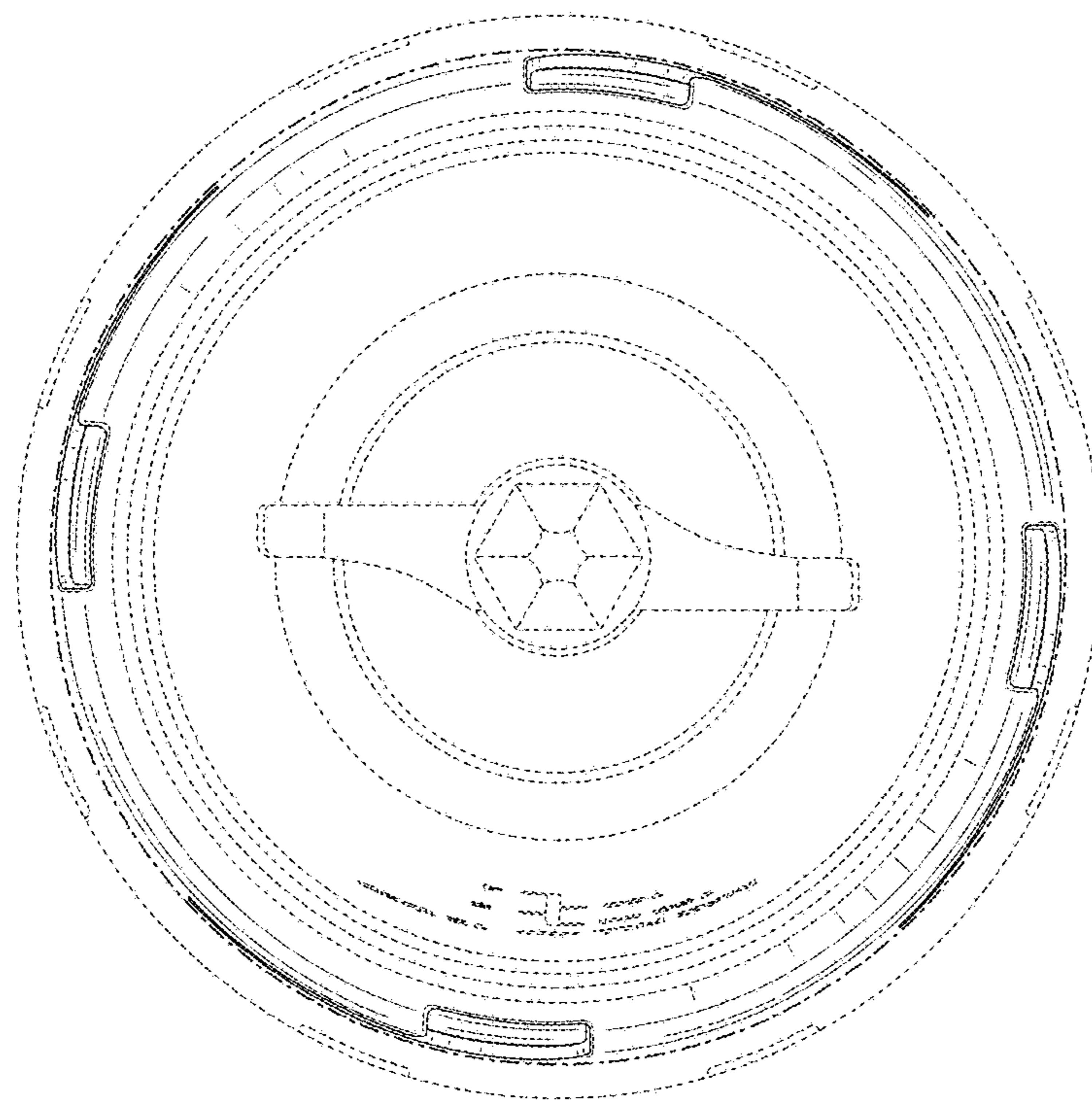


FIG. 6

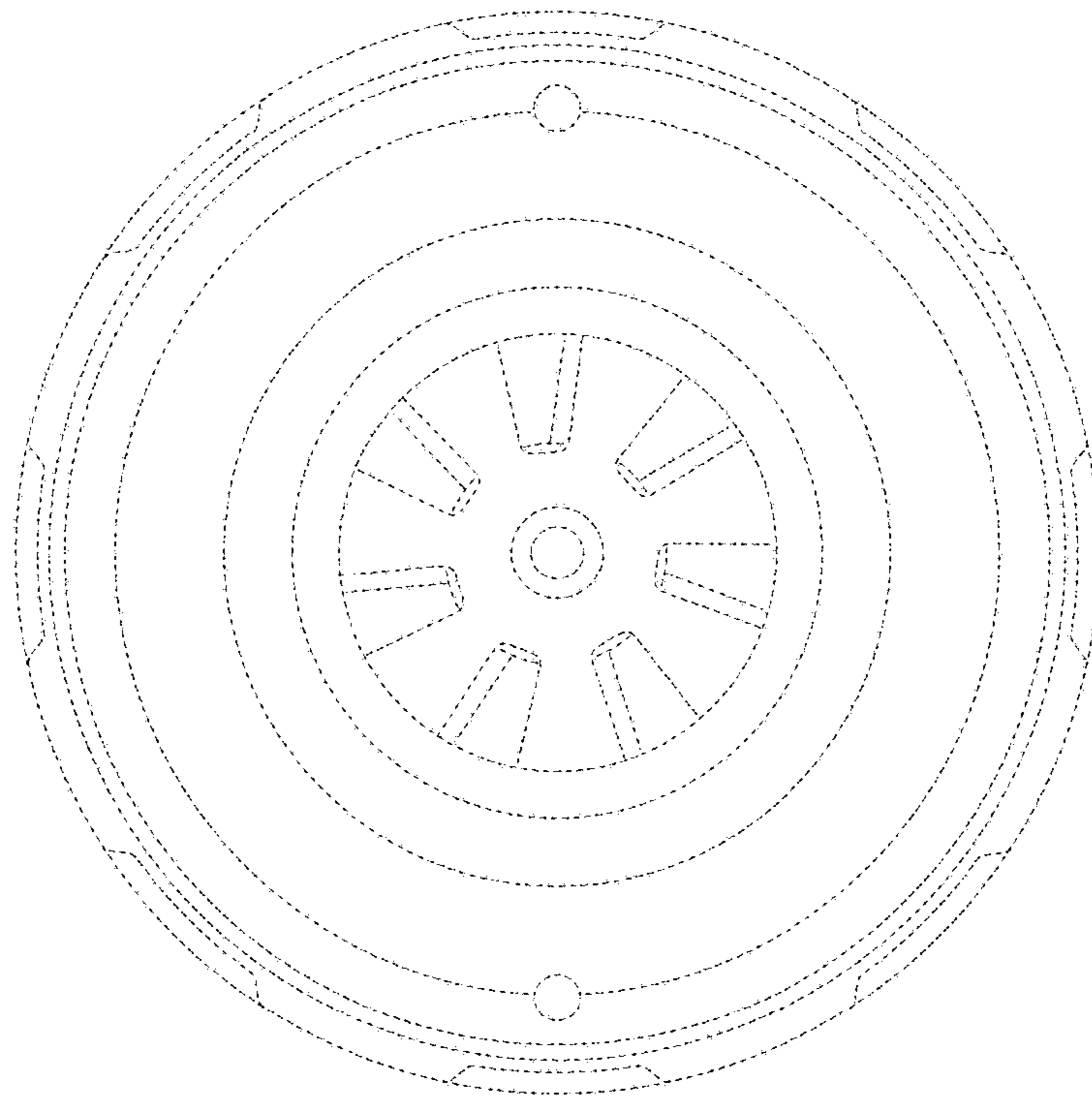


FIG. 7