



US00D846943S

(12) **United States Design Patent** (10) **Patent No.:** **US D846,943 S**  
**Koury et al.** (45) **Date of Patent:** **\*\* Apr. 30, 2019**

(54) **TRAY FOR CARTRIDGE HOLDER**

(71) Applicant: **Keurig Green Mountain, Inc.**,  
Burlington, MA (US)

(72) Inventors: **Steffen F. Koury**, Nahant, MA (US);  
**Paul K. Metaxatos**, Swampscott, MA (US)

(73) Assignee: **Keurig Green Mountain, Inc.**,  
Burlington, MA (US)

(\*\*) Term: **15 Years**

(21) Appl. No.: **29/616,364**

(22) Filed: **Sep. 5, 2017**

(51) **LOC (11) Cl.** ..... **07-99**

(52) **U.S. Cl.**  
USPC ..... **D7/400**

(58) **Field of Classification Search**  
USPC ... D7/399-401, 550.1, 417, 213, 619.1, 300,  
D7/305, 309; D9/414, 422, 434-436,  
D9/499; D23/303, 309, 311  
CPC . A61J 1/16; B65B 29/02; B01D 35/02; B65D  
47/00; A47K 13/00; A47K 13/02  
See application file for complete search history.

(56) **References Cited**

U.S. PATENT DOCUMENTS

D536,841 S *	2/2007	Hirokawa	.....	D30/161
7,347,138 B2	3/2008	Bragg et al.		
D623,923 S *	9/2010	Edwards	.....	D23/311
8,302,787 B2 *	11/2012	Tobey	.....	A61J 1/16 211/77
D672,003 S *	12/2012	Botes	.....	D22/108
8,495,949 B2	7/2013	Tinkler et al.		
D733,272 S *	6/2015	Kato	.....	D23/311

D750,765 S *	3/2016	Giametta	.....	D23/311
D752,192 S *	3/2016	Smith	.....	D23/311
D760,032 S *	6/2016	Thompson	.....	D7/600.4
9,474,406 B2	10/2016	Smith et al.		
D801,809 S *	11/2017	Mould	.....	D9/434
D812,423 S *	3/2018	Leach	.....	D7/400
D820,677 S *	6/2018	D'Anglade	.....	D9/435
2006/0201957 A1 *	9/2006	Harrington	.....	H02G 3/085 220/787

\* cited by examiner

*Primary Examiner* — Derrick E Holland

*Assistant Examiner* — Andrew Kerr

(74) *Attorney, Agent, or Firm* — Wolf, Greenfield & Sacks, P.C.

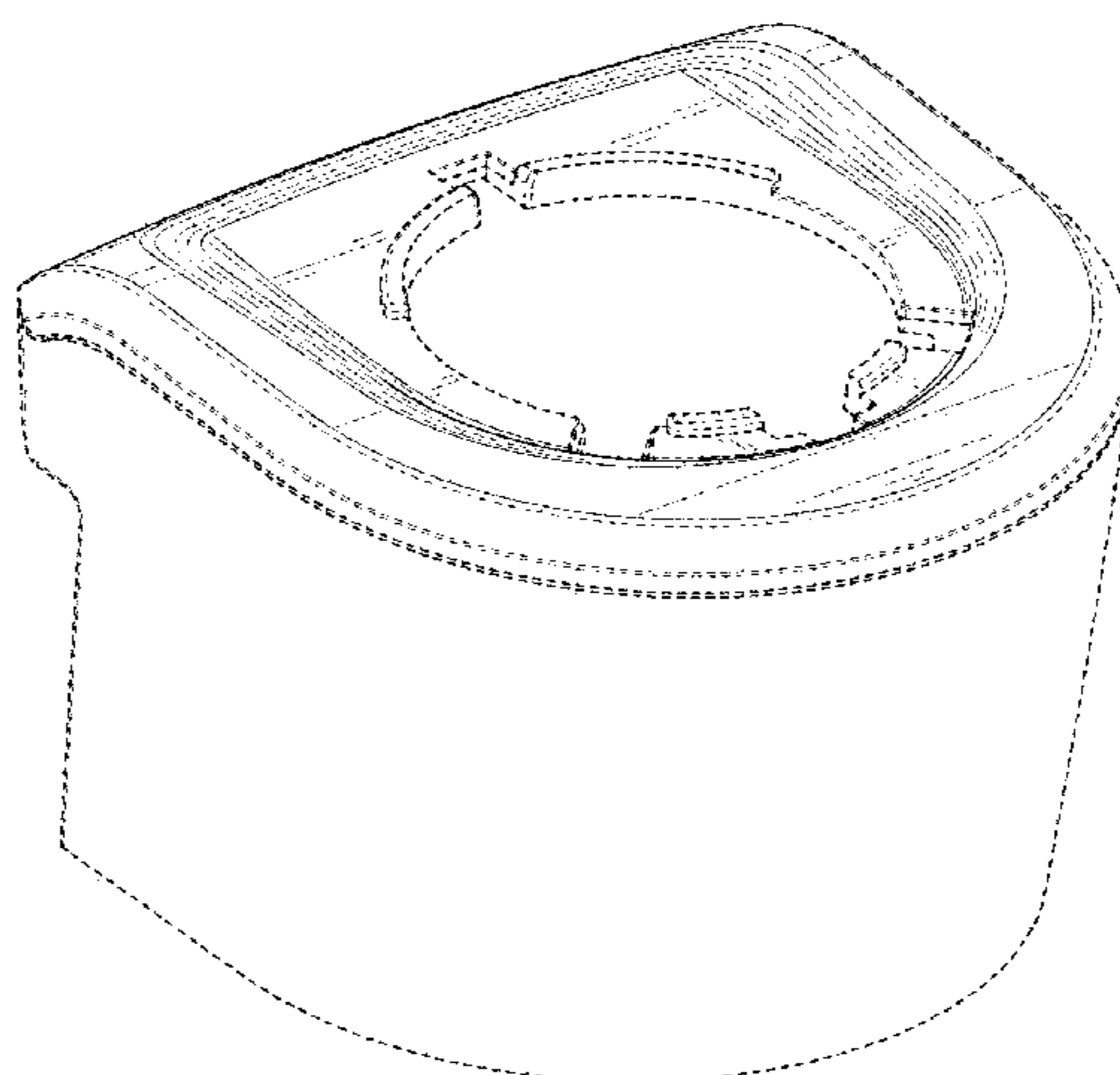
(57) **CLAIM**

The ornamental design for a tray for cartridge holder, as shown and described.

**DESCRIPTION**

FIG. 1 is a top, front, left side perspective view of a tray for cartridge holder according to our new design;  
 FIG. 2 is a top, front, right side perspective view thereof;  
 FIG. 3 is a front elevation view thereof;  
 FIG. 4 is a rear elevation view thereof;  
 FIG. 5 is a left side elevation view thereof;  
 FIG. 6 is a right side elevation view thereof;  
 FIG. 7 is a top plan view thereof; and,  
 FIG. 8 is a bottom plan view thereof.  
 The broken lines illustrate portions of the tray for cartridge holder that form no part of the claimed design.

**1 Claim, 8 Drawing Sheets**



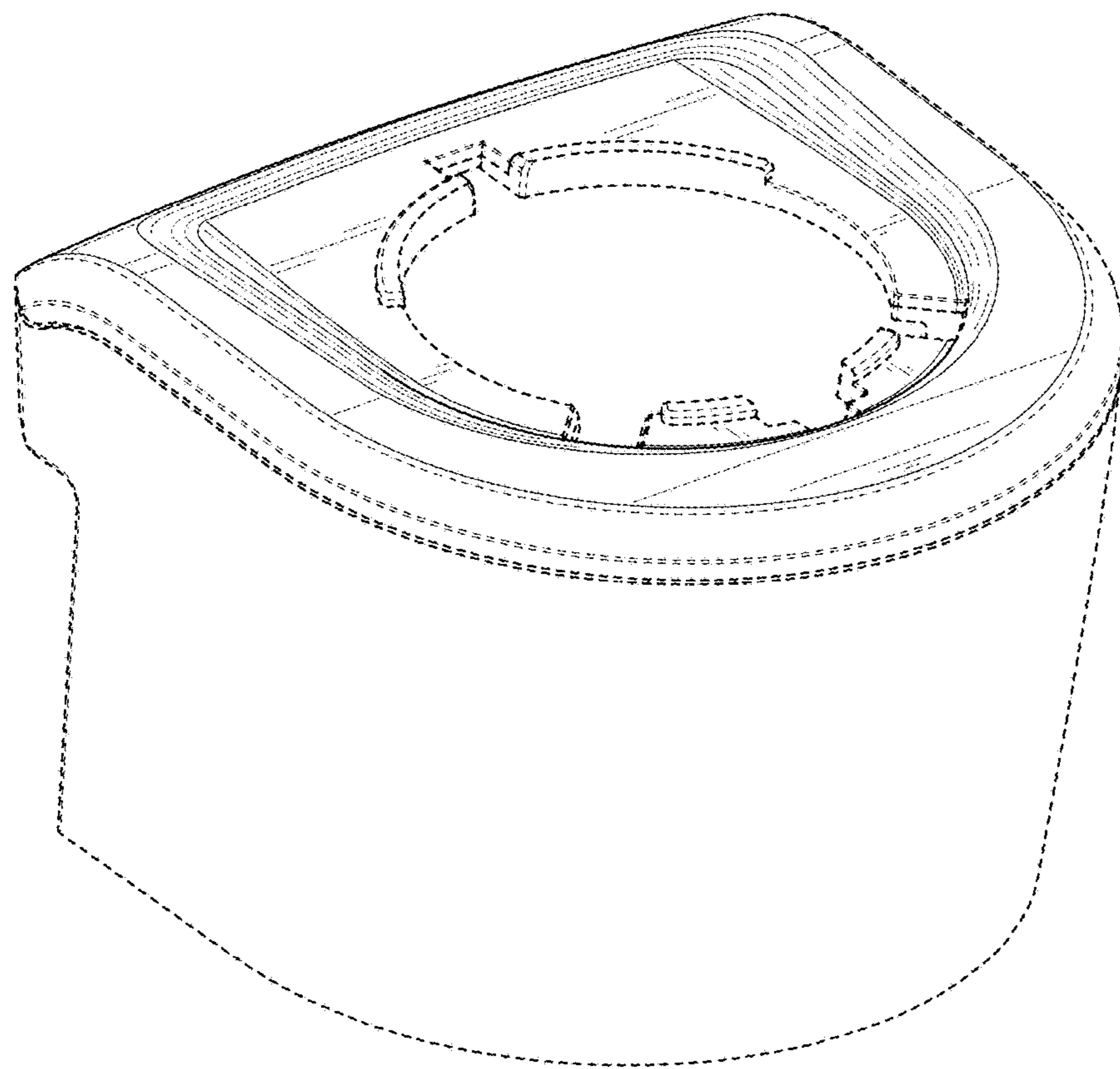


FIG. 1

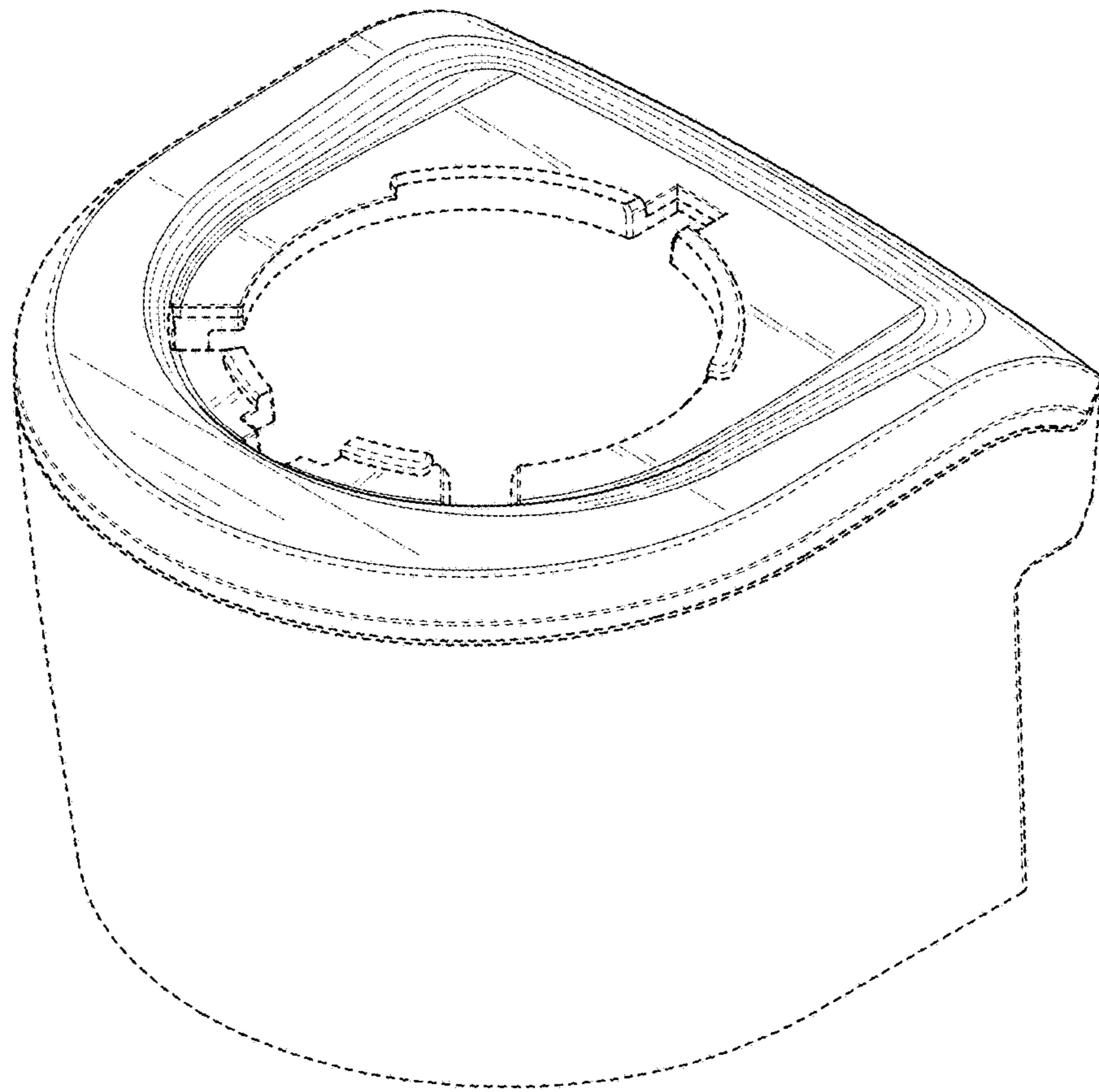


FIG. 2

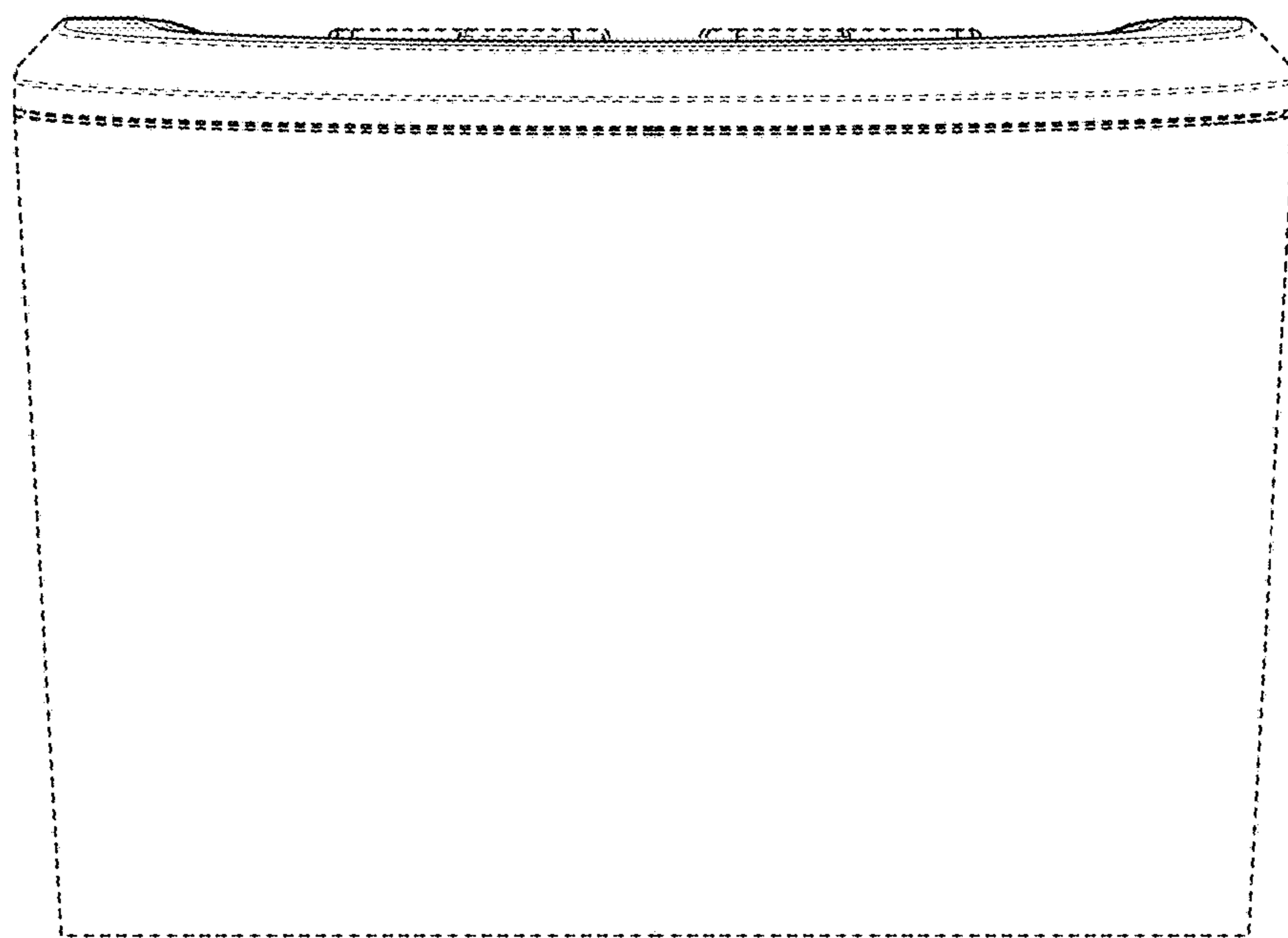


FIG. 3

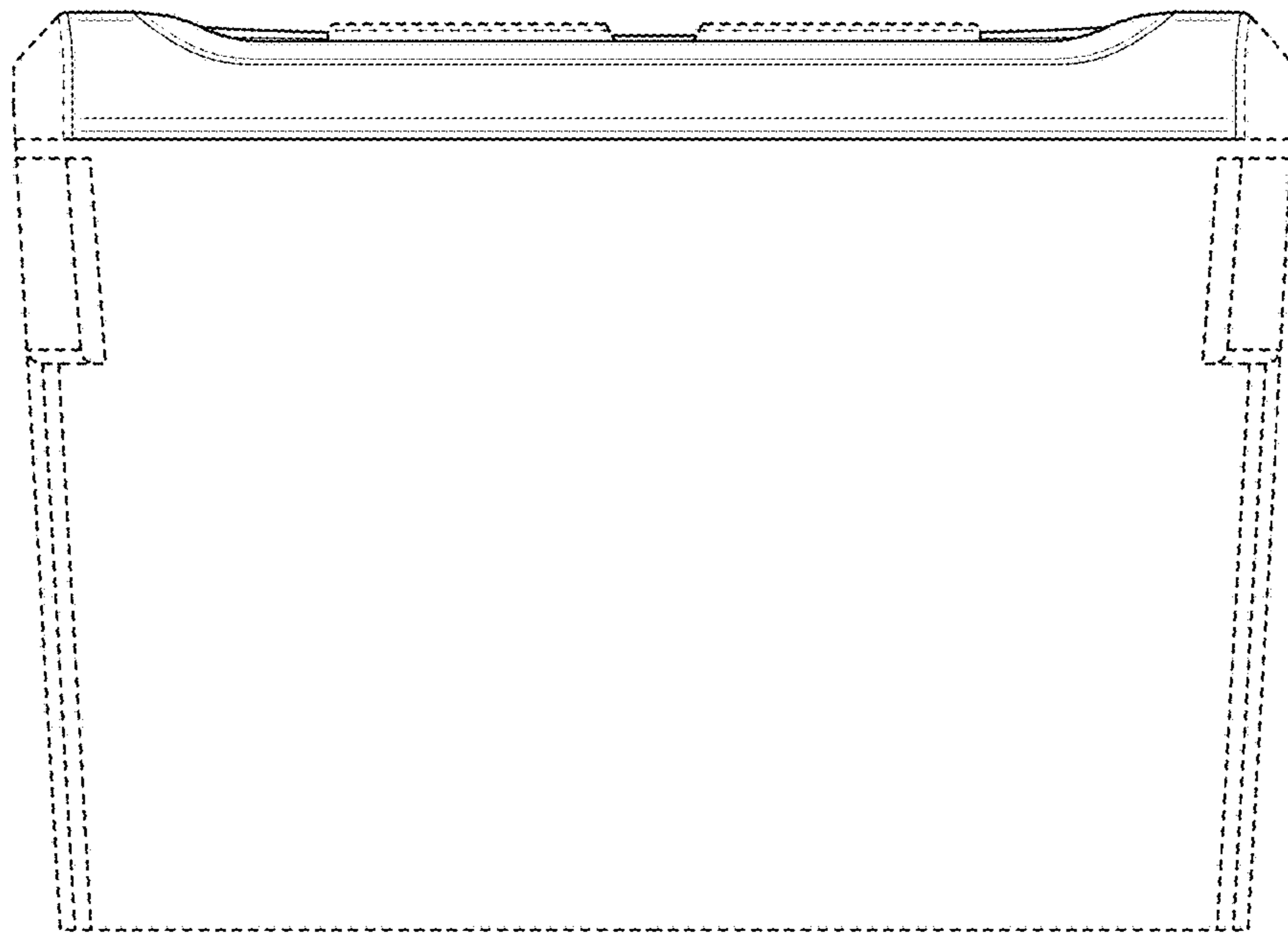


FIG. 4

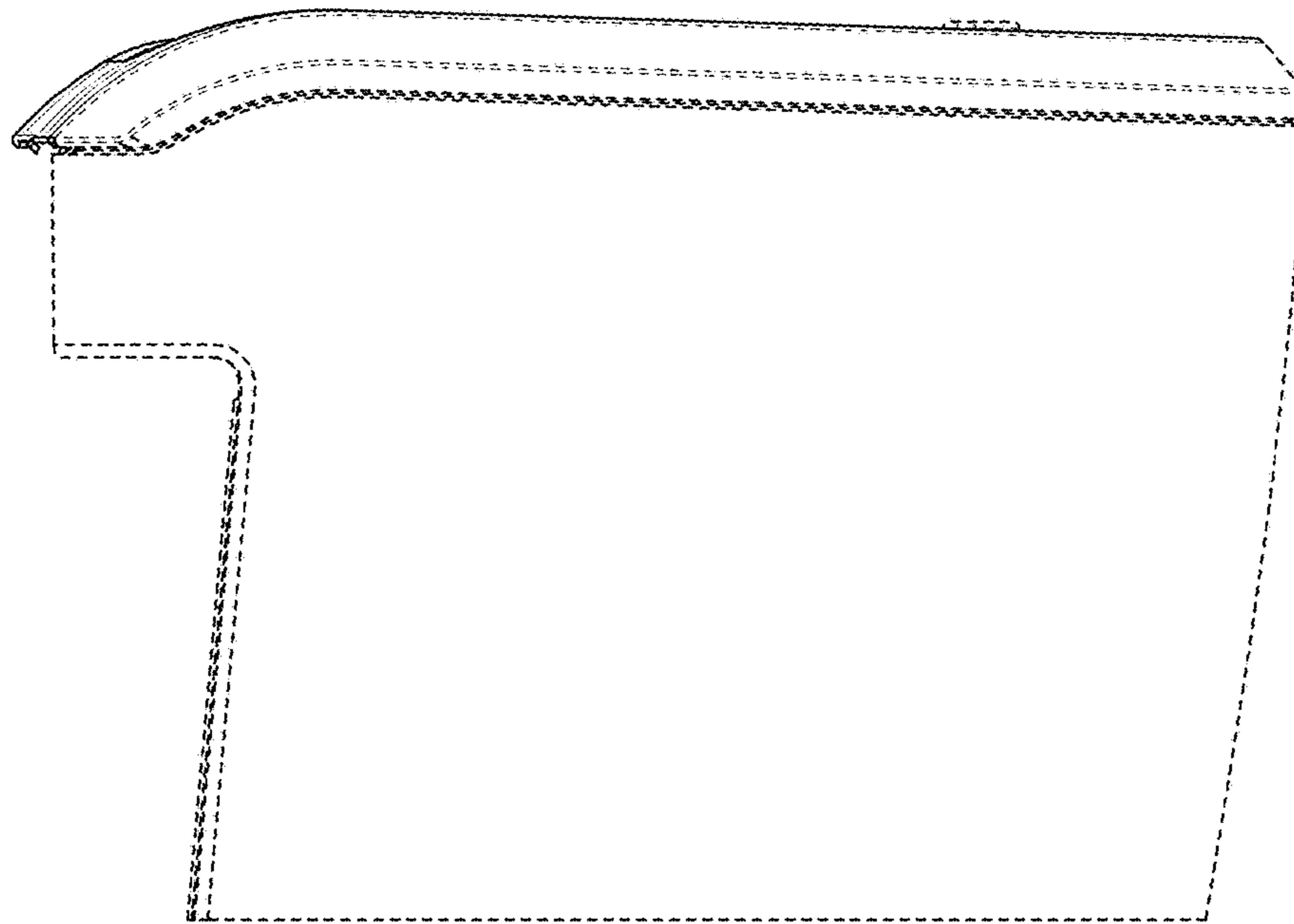


FIG. 5

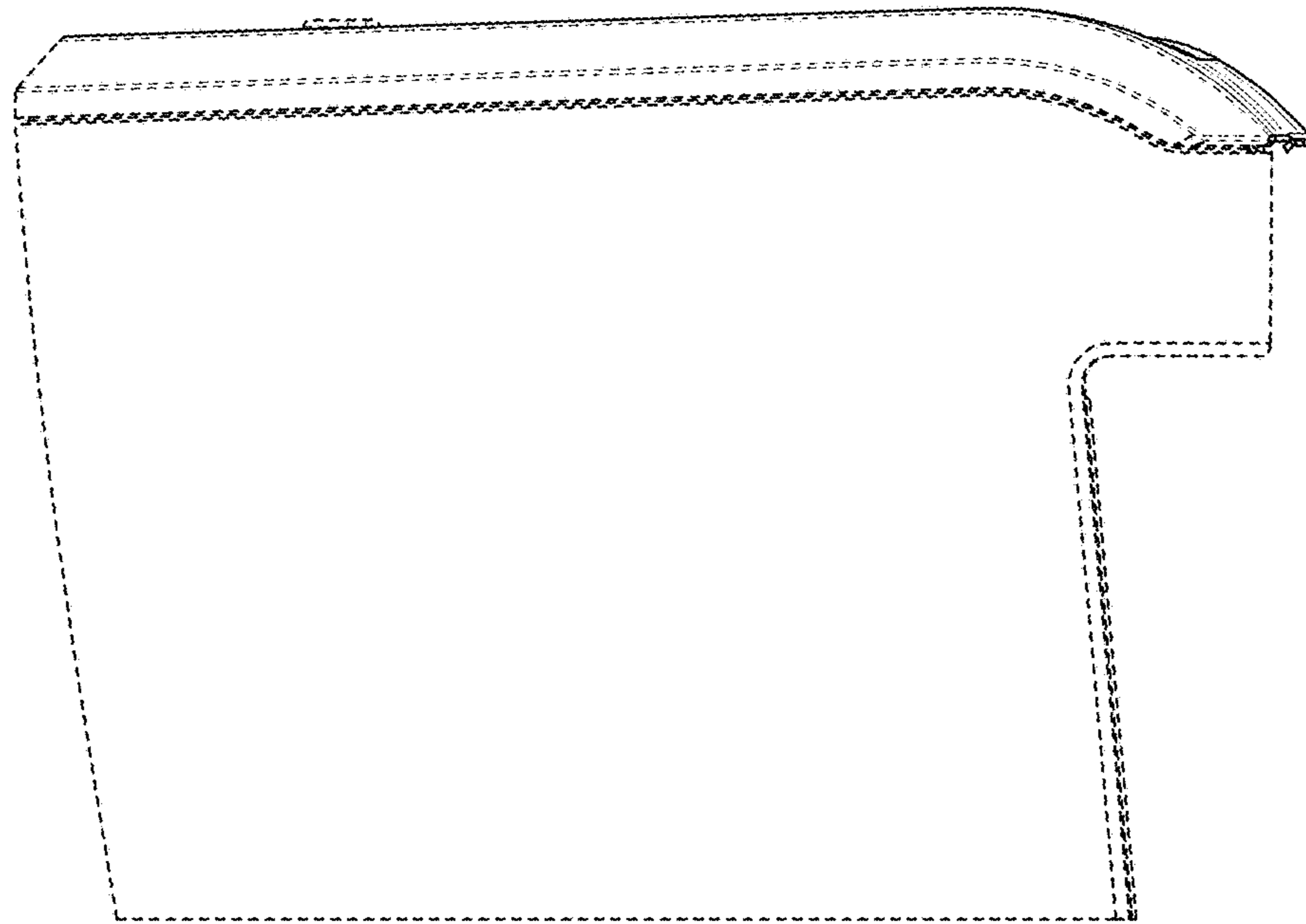


FIG. 6

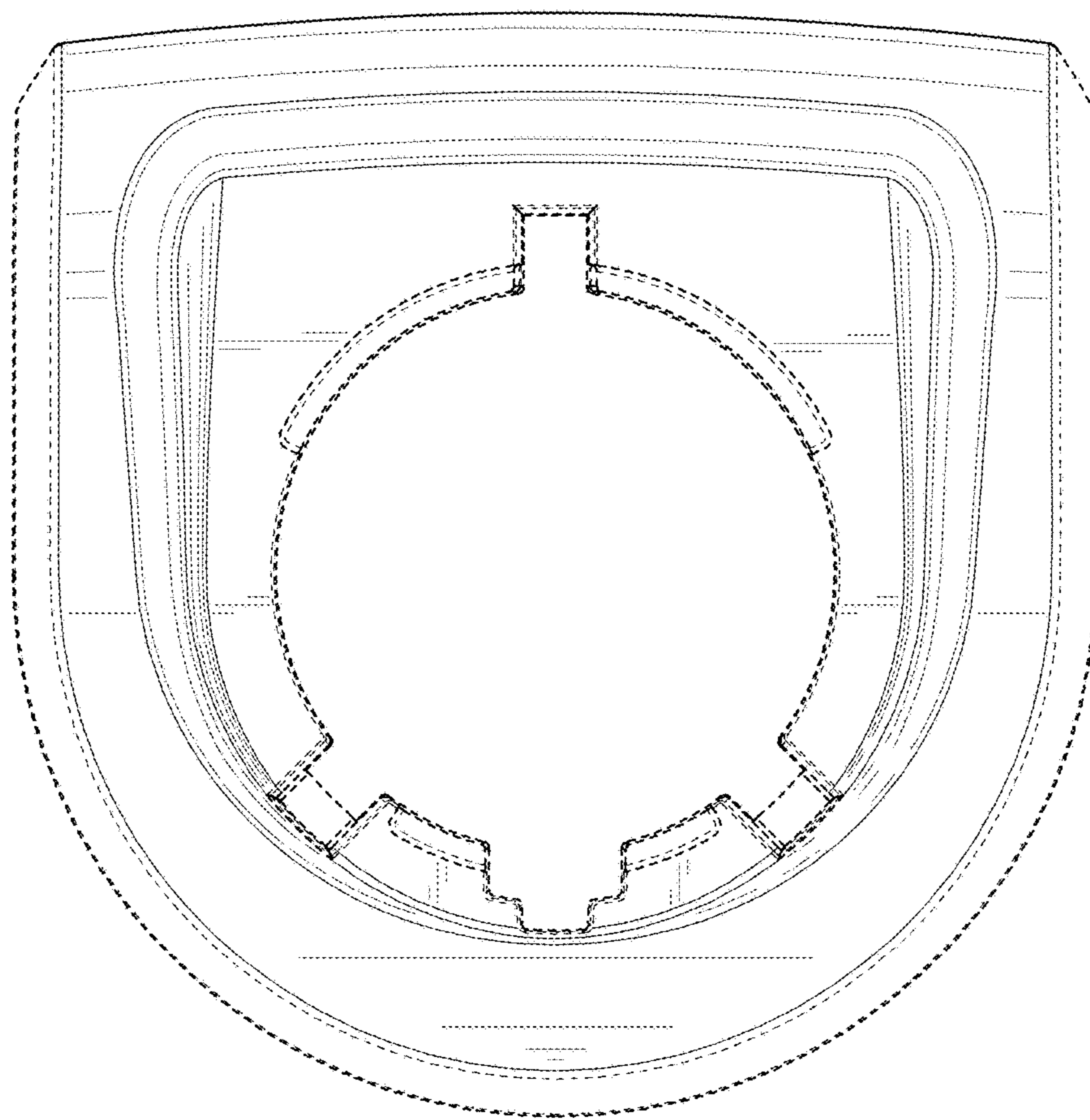


FIG. 7



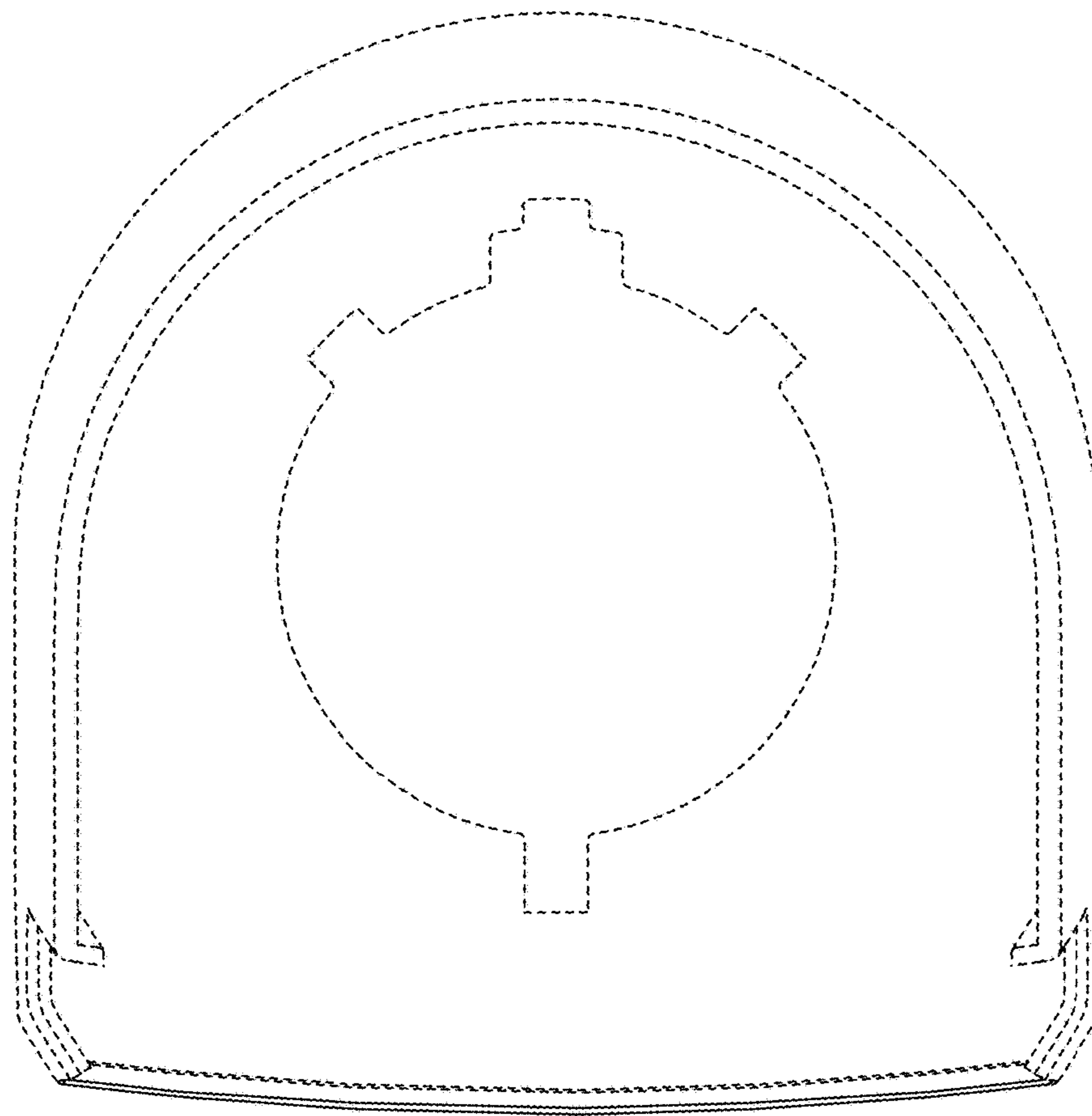


FIG. 8