

US00D846942S

(12) **United States Design Patent**
Wang

(10) **Patent No.:** **US D846,942 S**

(45) **Date of Patent:** **** Apr. 30, 2019**

(54) **HANDLE**

(71) Applicant: **Ningbo Re-Cook Imp. & Exp. Co., Ltd.**, Ningbo (CN)

(72) Inventor: **Jia Wang**, Ningbo (CN)

(73) Assignee: **NINGBO RE-COOK IMP. & EXP. CO., LTD.**, Ningbo (CN)

(**) Term: **15 Years**

(21) Appl. No.: **29/645,739**

(22) Filed: **Apr. 28, 2018**

(51) **LOC (11) Cl.** **07-02**

(52) **U.S. Cl.**
USPC **D7/395**

(58) **Field of Classification Search**
USPC D7/354-361, 393-395, 401.2, 664;
D8/107, 300, 303, 307, 313, 321;
D4/138, 129
CPC A47J 45/06; A47J 45/061; A47J 45/62;
A47J 45/071; A47J 45/072; A47J 45/08;
A47J 45/085
See application file for complete search history.

(56) **References Cited**

U.S. PATENT DOCUMENTS

D508,631 S * 8/2005 Cuillery D7/395
D584,104 S * 1/2009 Munari D7/393

D617,606 S * 6/2010 Munari D7/395
D618,051 S * 6/2010 Munari D7/395
D649,832 S * 12/2011 Loaiza D7/395
D690,153 S * 9/2013 Zemel D7/395
D741,108 S * 10/2015 Munari D7/395
D812,420 S * 3/2018 Munari D7/395

* cited by examiner

Primary Examiner — Cynthia M. Chin

(74) *Attorney, Agent, or Firm* — Gokalp Bayramoglu

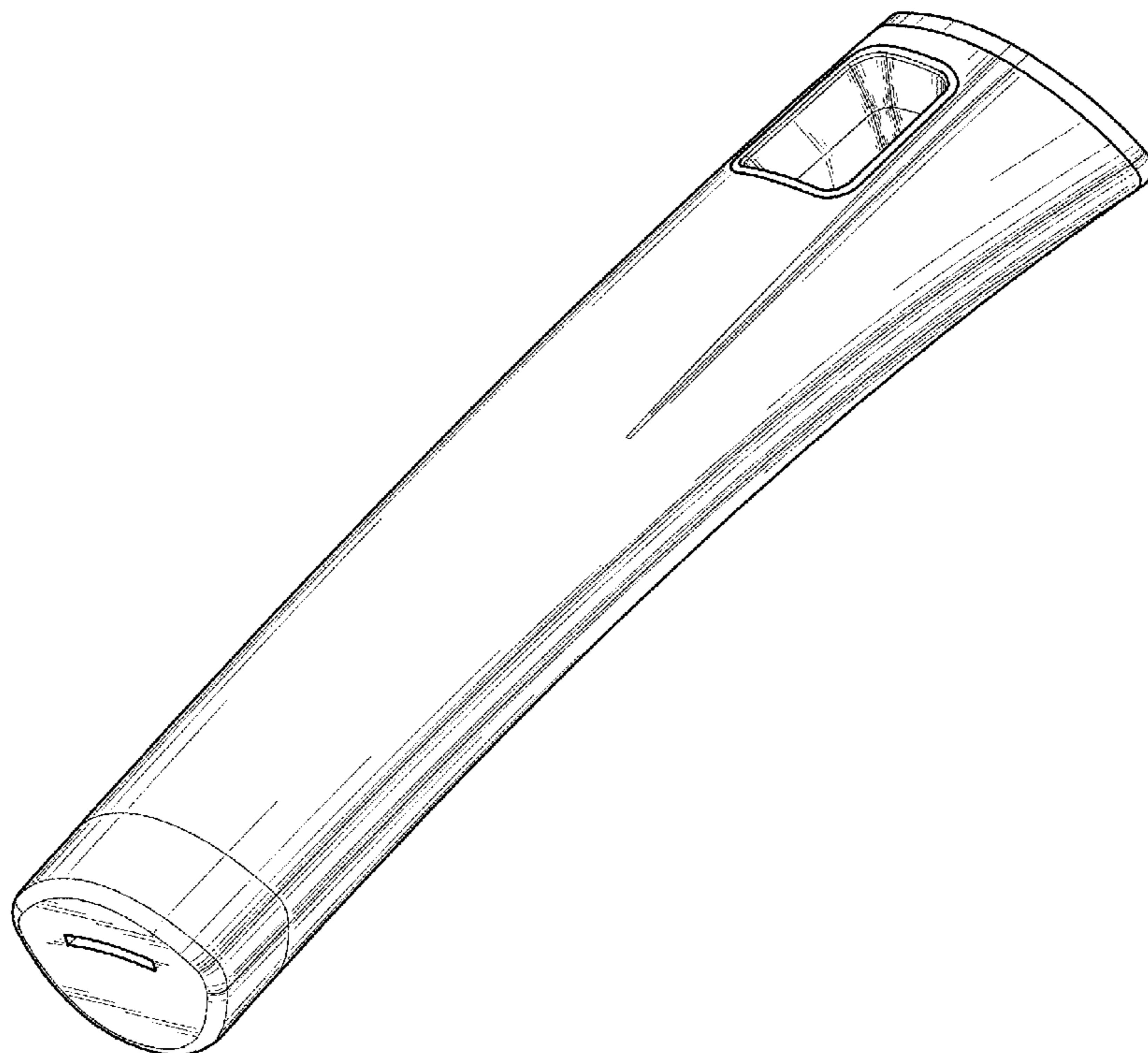
(57) **CLAIM**

The ornamental design for a handle, as shown and described.

DESCRIPTION

FIG. 1 is a perspective view of a handle showing the new design;
FIG. 2 is a right side view thereof;
FIG. 3 is a left side view thereof;
FIG. 4 is a rear view thereof;
FIG. 5 is a front view thereof;
FIG. 6 is a top view thereof; and,
FIG. 7 is a bottom view thereof.

1 Claim, 7 Drawing Sheets



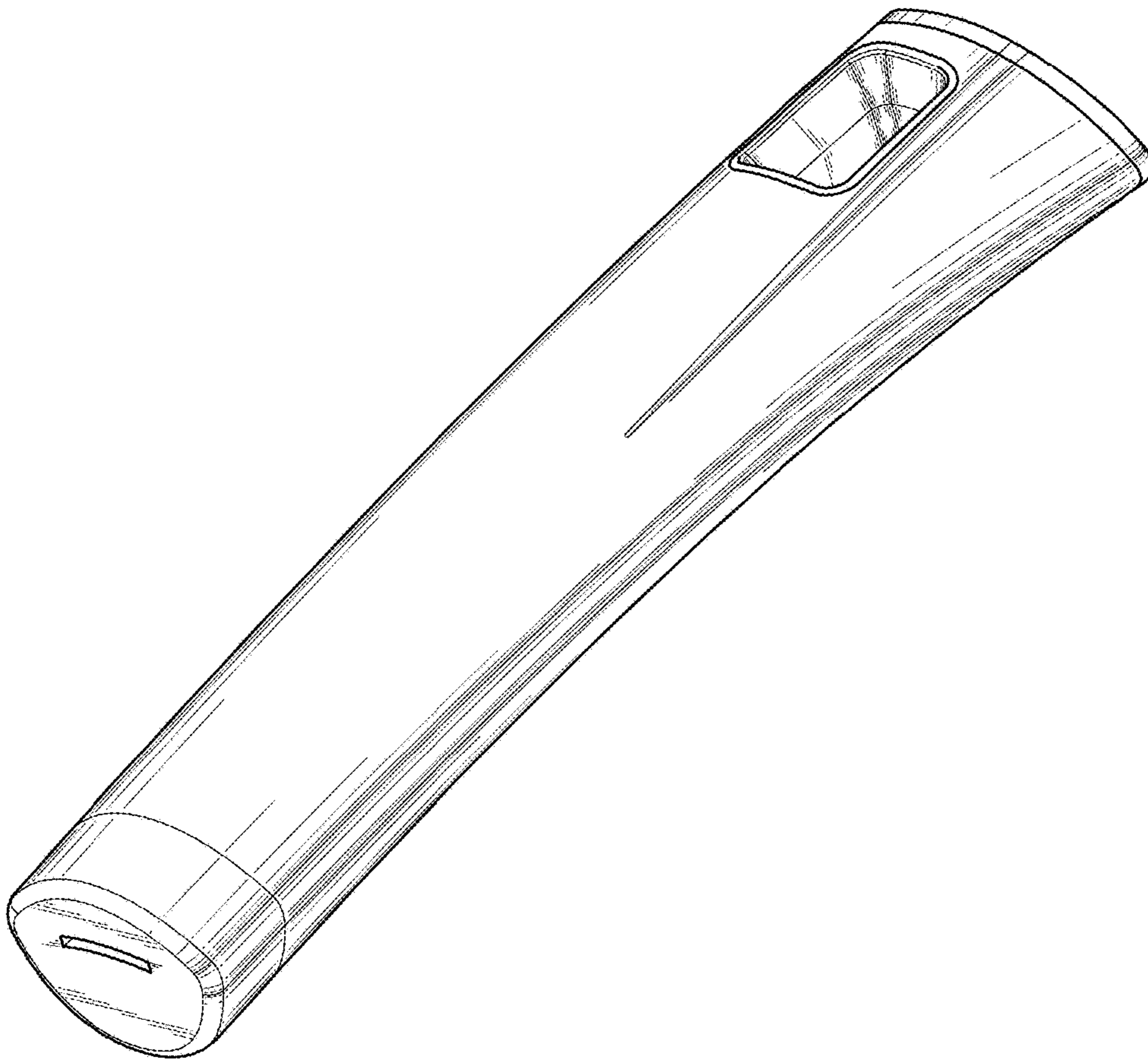


Fig. 1

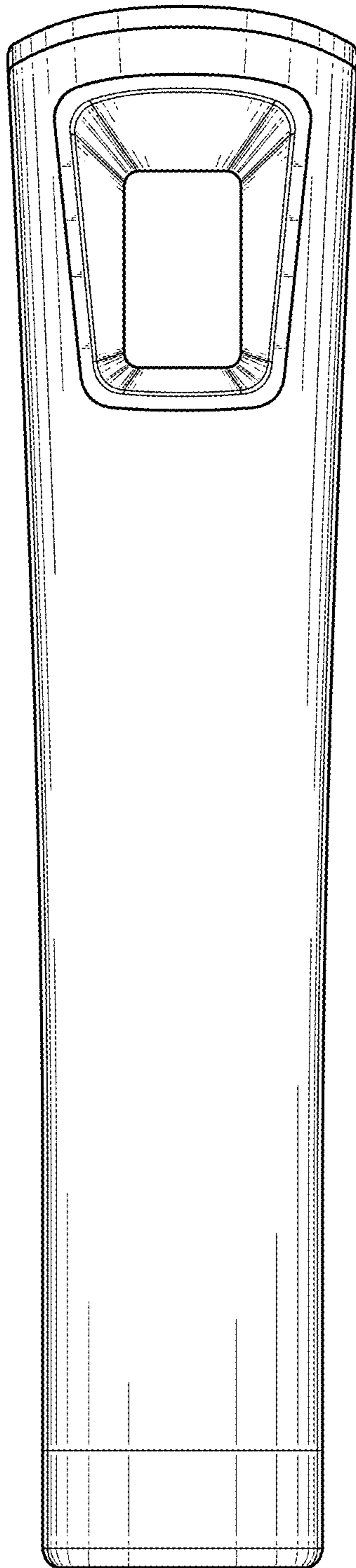


Fig. 2

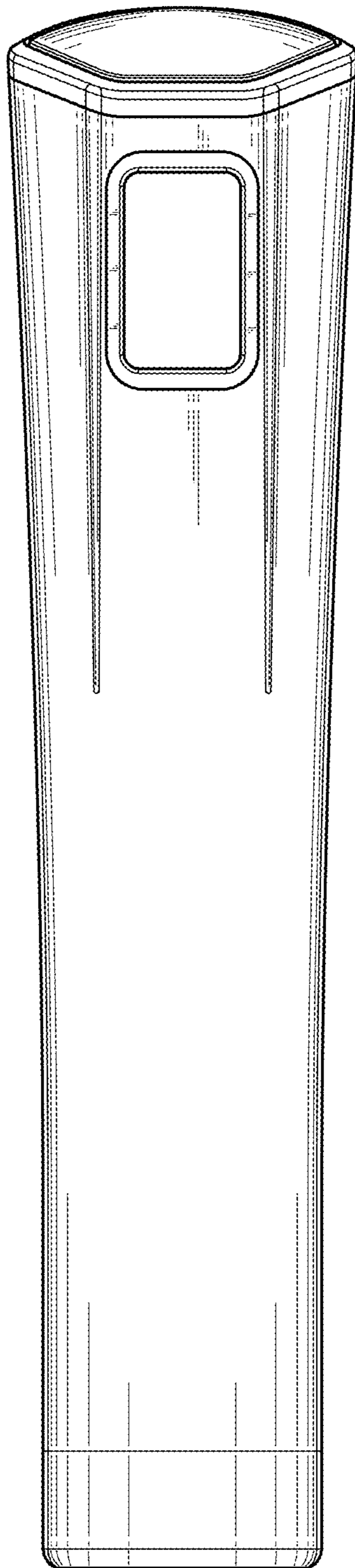


Fig. 3

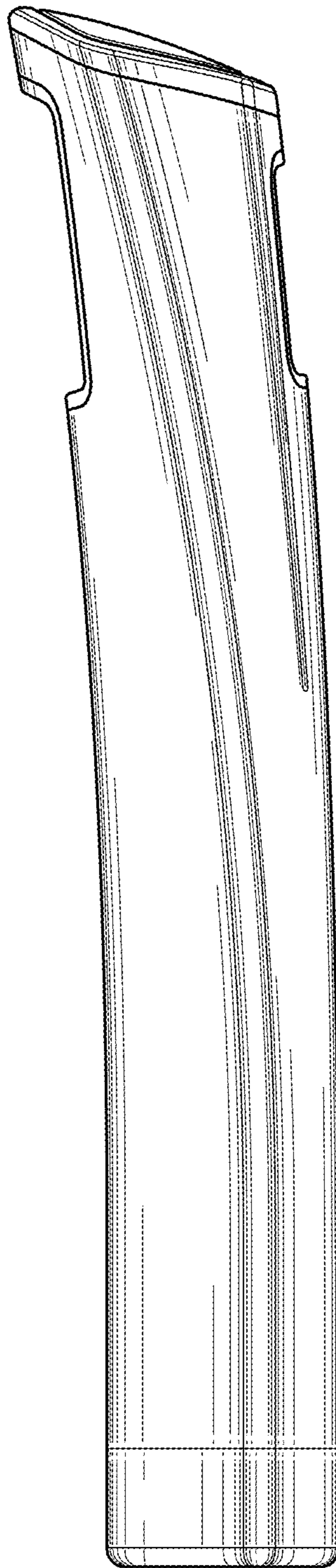


Fig. 4

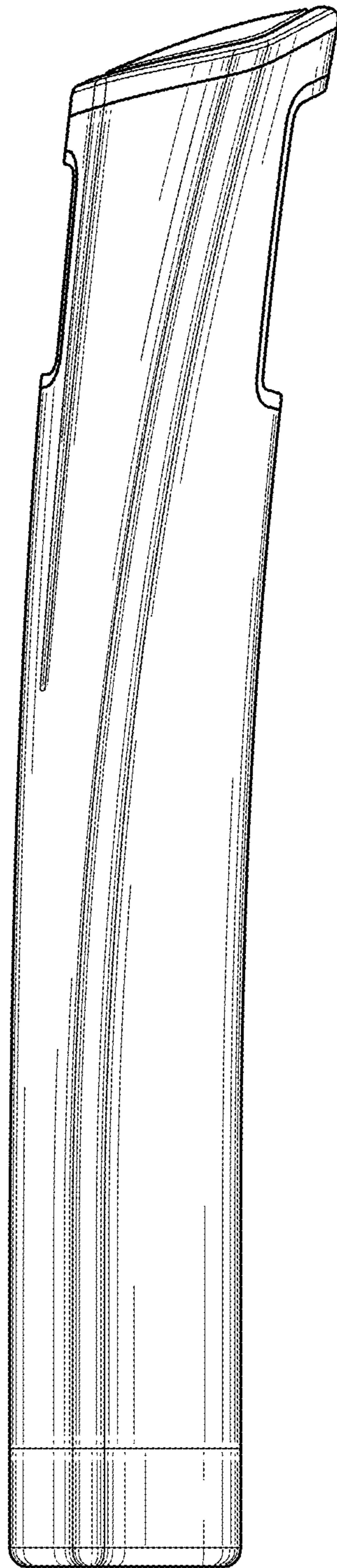


Fig. 5

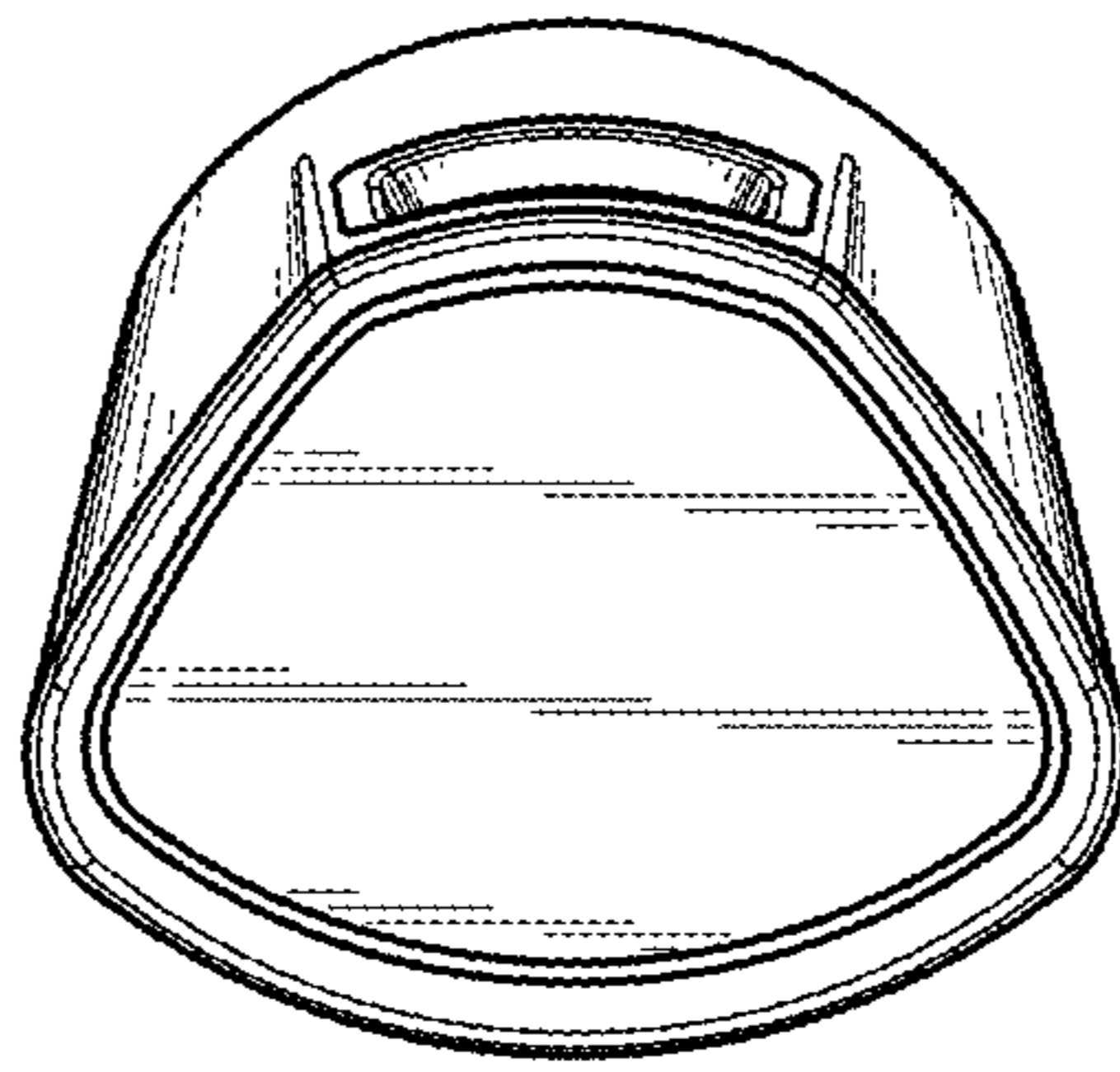


Fig. 6

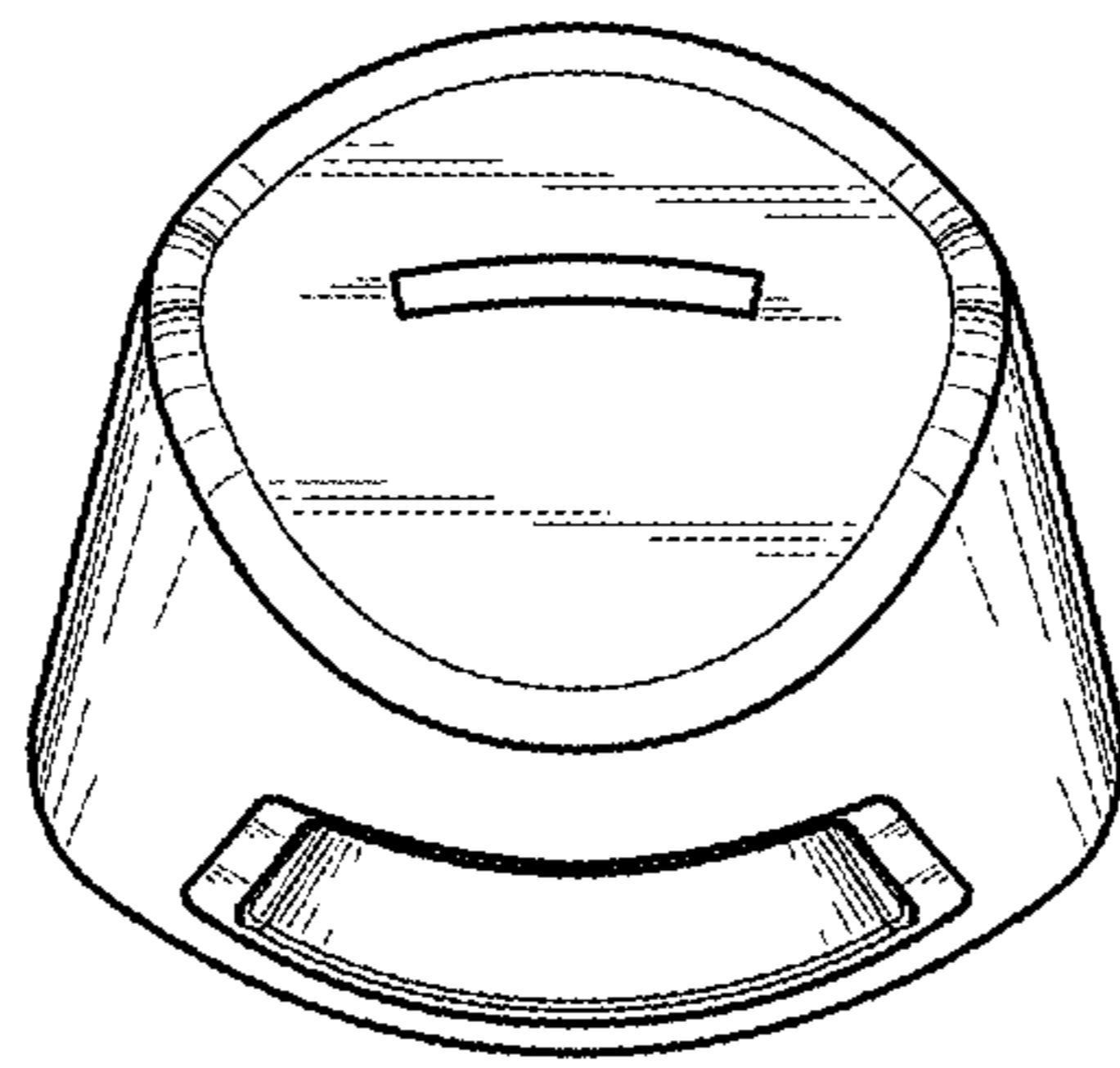


Fig. 7