



US00D846939S

(12) **United States Design Patent** (10) **Patent No.:** **US D846,939 S**
Rummel et al. (45) **Date of Patent:** **** Apr. 30, 2019**

(54) **LID**

(71) Applicant: **BRITA GMBH**, Taunusstein (DE)

(72) Inventors: **Christian Rummel**, Benningen (DE);
Tim Storti, Schwieberdingen (DE)

(73) Assignee: **BRITA GmbH**, Taunusstein (DE)

(**) Term: **15 Years**

(21) Appl. No.: **29/558,547**

(22) Filed: **Mar. 18, 2016**

(51) **LOC (11) Cl.** **07-02**

(52) **U.S. Cl.**
USPC **D7/392**

(58) **Field of Classification Search**

USPC D7/391, 392, 392.1, 396.1, 396.2, 397,
D7/509, 510, 543; D9/435, 443, 446,
D9/447, 516

CPC B67D 1/003; A47J 31/605; A47G 19/12

See application file for complete search history.

(56) **References Cited**

U.S. PATENT DOCUMENTS

D277,724 S *	2/1985	Daenen	D7/392
D440,110 S *	4/2001	Tanner	D7/317
D444,987 S *	7/2001	McGrath	D7/317
D506,639 S *	6/2005	Jalet	D7/392
D527,574 S *	9/2006	Bennett	D7/392
D576,250 S *	9/2008	Born	D23/209
7,438,799 B2 *	10/2008	Vandenbelt	C02F 1/003 210/85
D680,789 S *	4/2013	Bell	D7/317
D707,082 S *	6/2014	Duran	D7/392
9,282,836 B2 *	3/2016	Nishijima	A47G 19/12
D762,411 S *	8/2016	McDonald	D7/392
2007/0151979 A1 *	7/2007	Klump	B65D 43/20 220/533
2011/0139781 A1 *	6/2011	Jin	B65F 1/1607 220/254.5

OTHER PUBLICATIONS

“Brita 5 Cup Metro Water Pitcher”. Found online Jun. 13, 2017 at
amazon.com. Page dated Jan. 11, 2016. Retrieved from https://

www.amazon.com/Brita-Metro-Pitcher-Filter-Turquoise/dp/
B01G9ADQYG/ref=cm_cr_arp_d_product_top?ie=UTF8.*

“PUR LED 11 Cup Water Filtration Pitcher”. Found online Jun. 13,
2017 at amazon.com. Page dated Feb. 20, 2014. Retrieved from
https://www.amazon.com/PUR-Water-Filtration-Pitcher-System/dp/
B00IK5A68I/ref=sr_1_47?ie=UTF8&qid=1497369322&sr=8-47
&keywords=water+pitcher.*

“Sterilite Ultra Seal 1 Gallon Pitcher”. Found online Jun. 13, 2017
at amazon.com. Page dated Mar. 25, 2014. Retrieved from https://
www.amazon.com/Ultra-Seal-1-Gallon-Pitcher/dp/B0156J3PUQ/
ref=sr_1_12?ie=UTF8&qid=1497369289&sr=8-12&keywords=
water+pitcher.*

“Health Metric Alkaline Water Filter Pitcher Ionizer”. Found online
Jun. 13, 2017 at amazon.com. Page dated Nov. 15, 2016. Retrieved
from https://www.amazon.com/Health-Metric-Alkaline-Pitcher-
Ionizer/dp/B01N2YOAEV/ref=sr_1_108?ie=UTF8&qid=1497369394
&sr=8-108&keywords=water+pitcher.*

* cited by examiner

Primary Examiner — George D. Kirschbaum

Assistant Examiner — Kendra Leslie Hamilton

(74) *Attorney, Agent, or Firm* — Hudak, Shunk & Farine
Co. LPA

(57) **CLAIM**

The ornamental design for a lid, as shown and described.

DESCRIPTION

FIG. 1 is a right front perspective view of a lid showing our
new design;

FIG. 2 is a right side view thereof;

FIG. 3 is a left side view thereof;

FIG. 4 is a front view thereof;

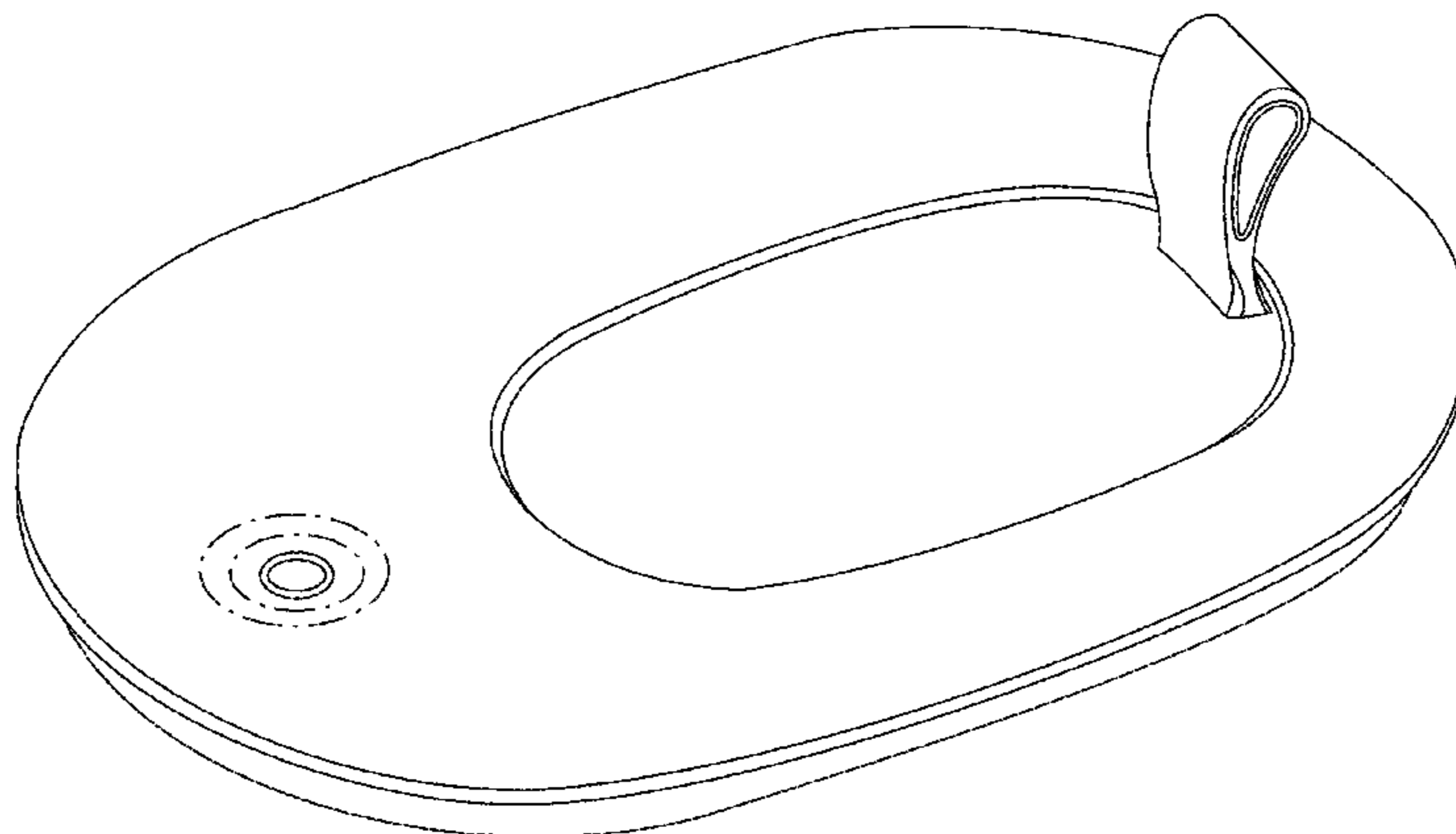
FIG. 5 is a rear view thereof;

FIG. 6 is a top view thereof; and,

FIG. 7 is a bottom view thereof.

In the drawings, the evenly-spaced broken lines depict
portions of the lid that form no part of the claimed design.
Additionally, the dash-dot-dash broken lines define the
boundaries of the claimed design.

1 Claim, 7 Drawing Sheets



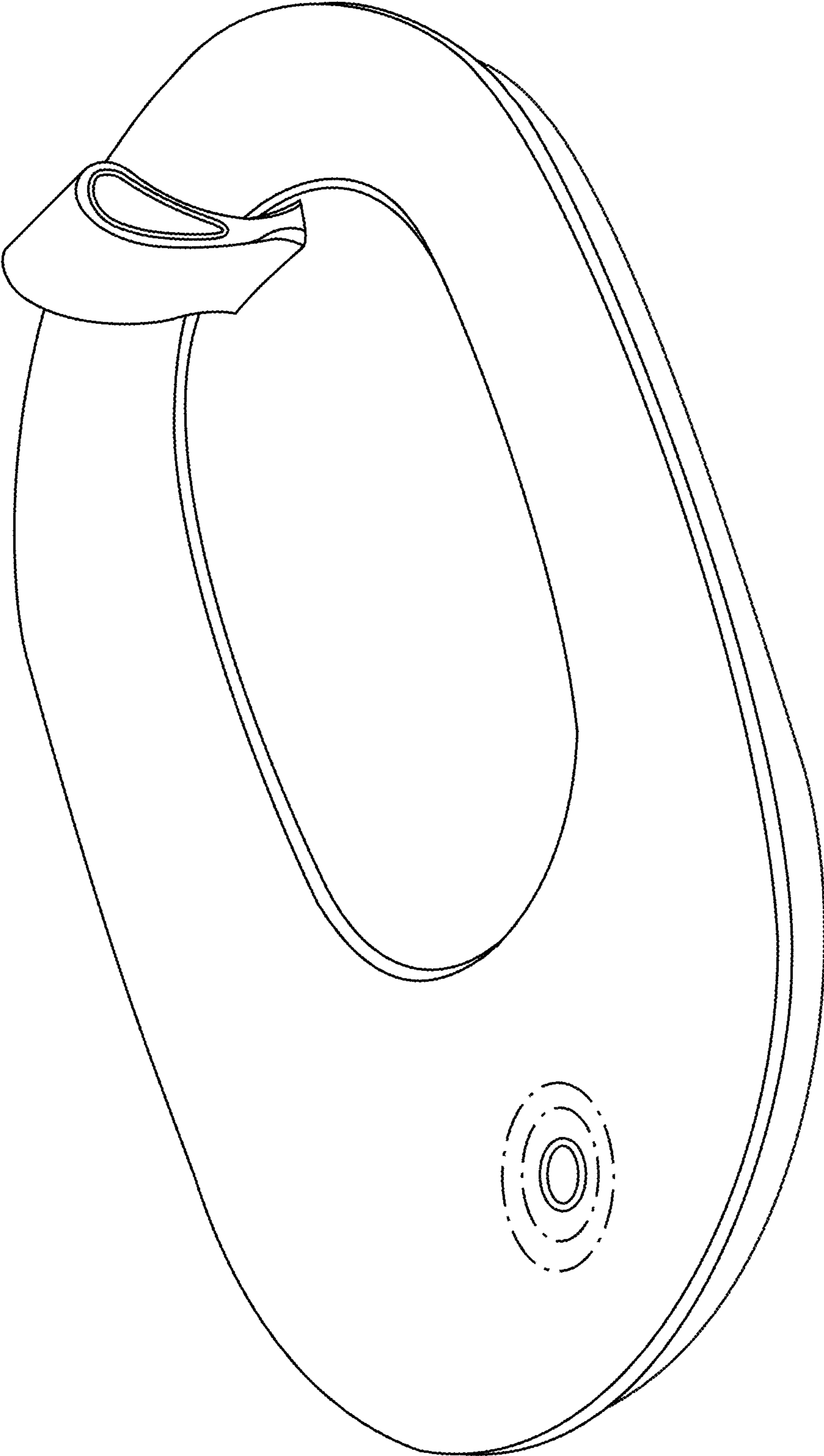


FIG. 1

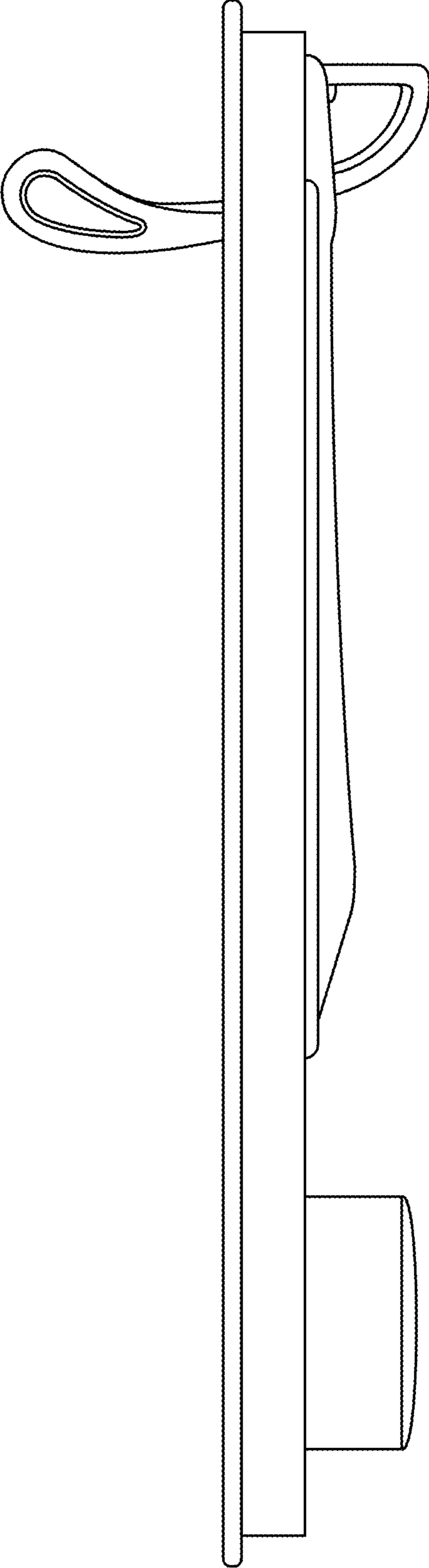


FIG. 2

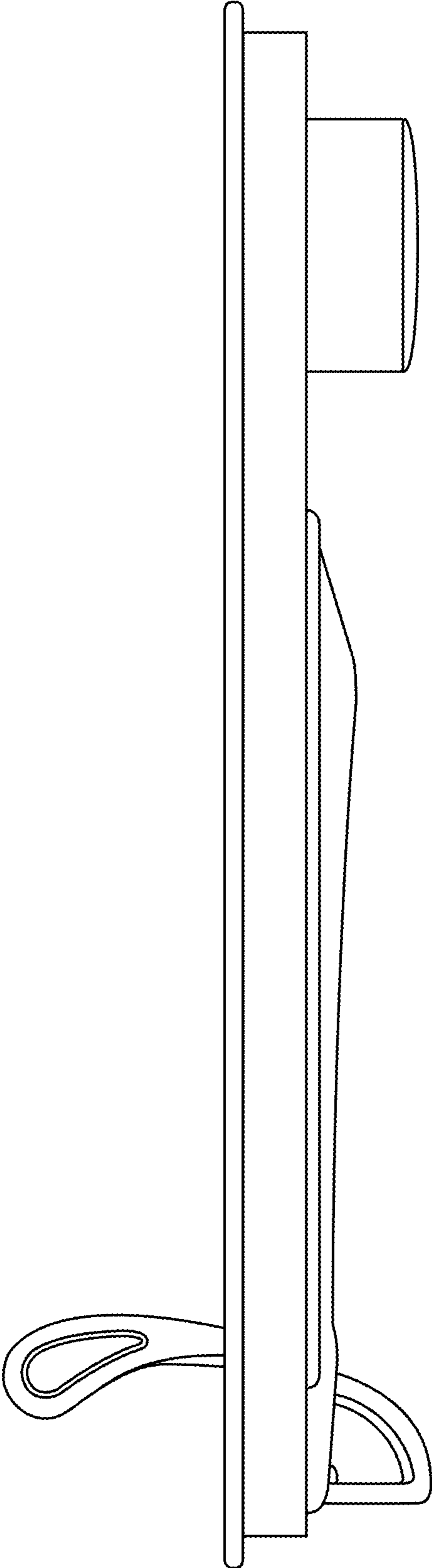


FIG. 3

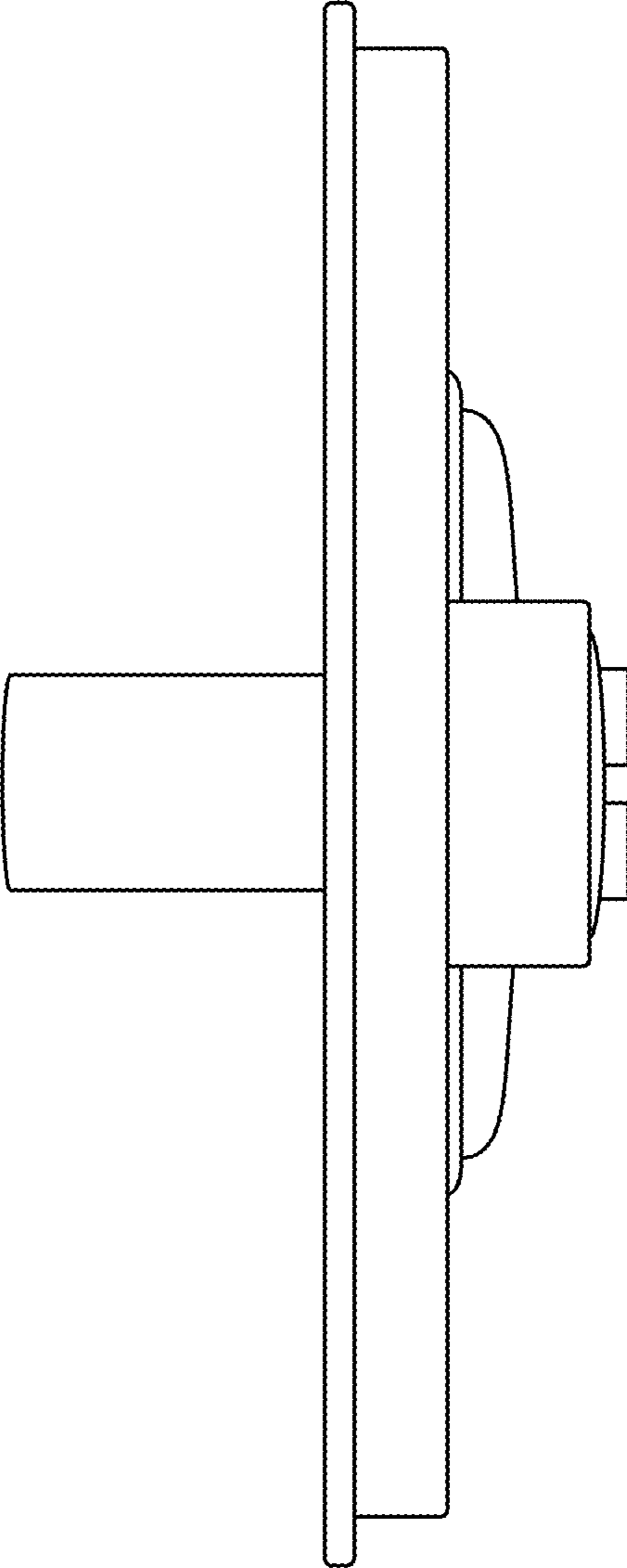


FIG. 4

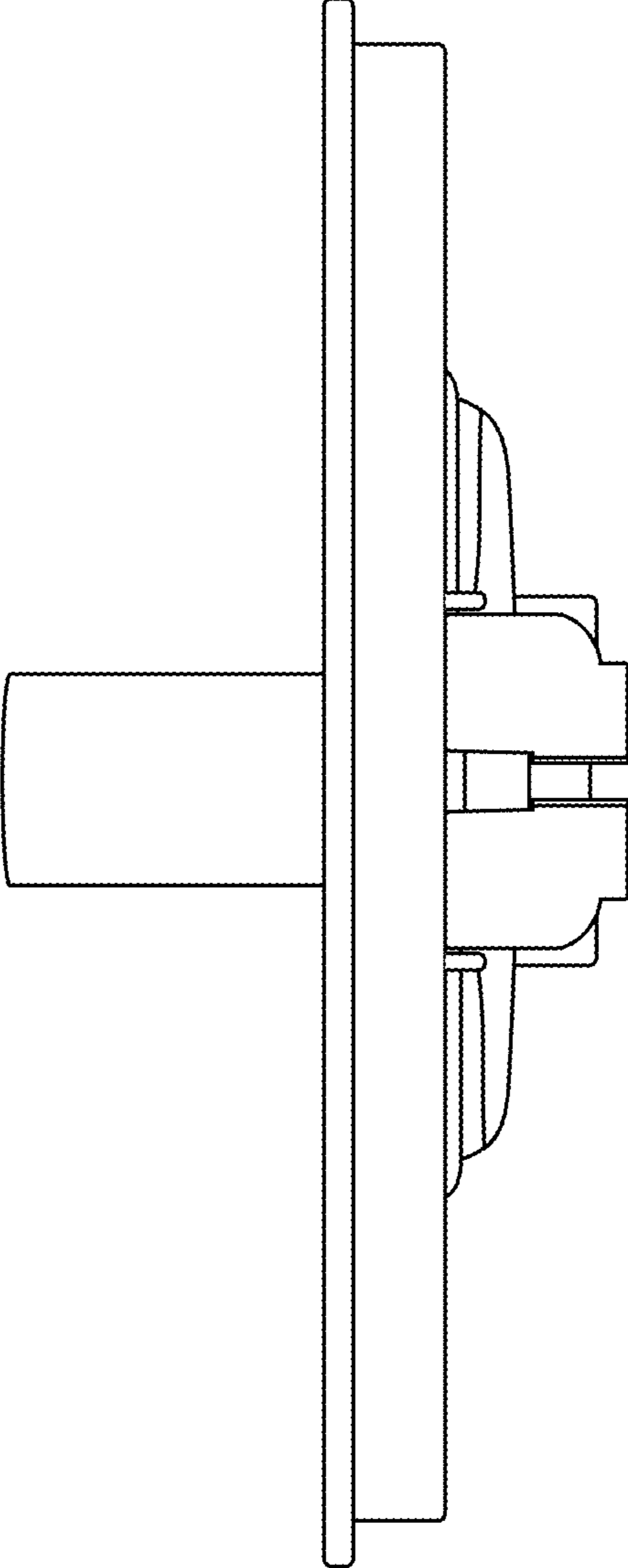


FIG. 5

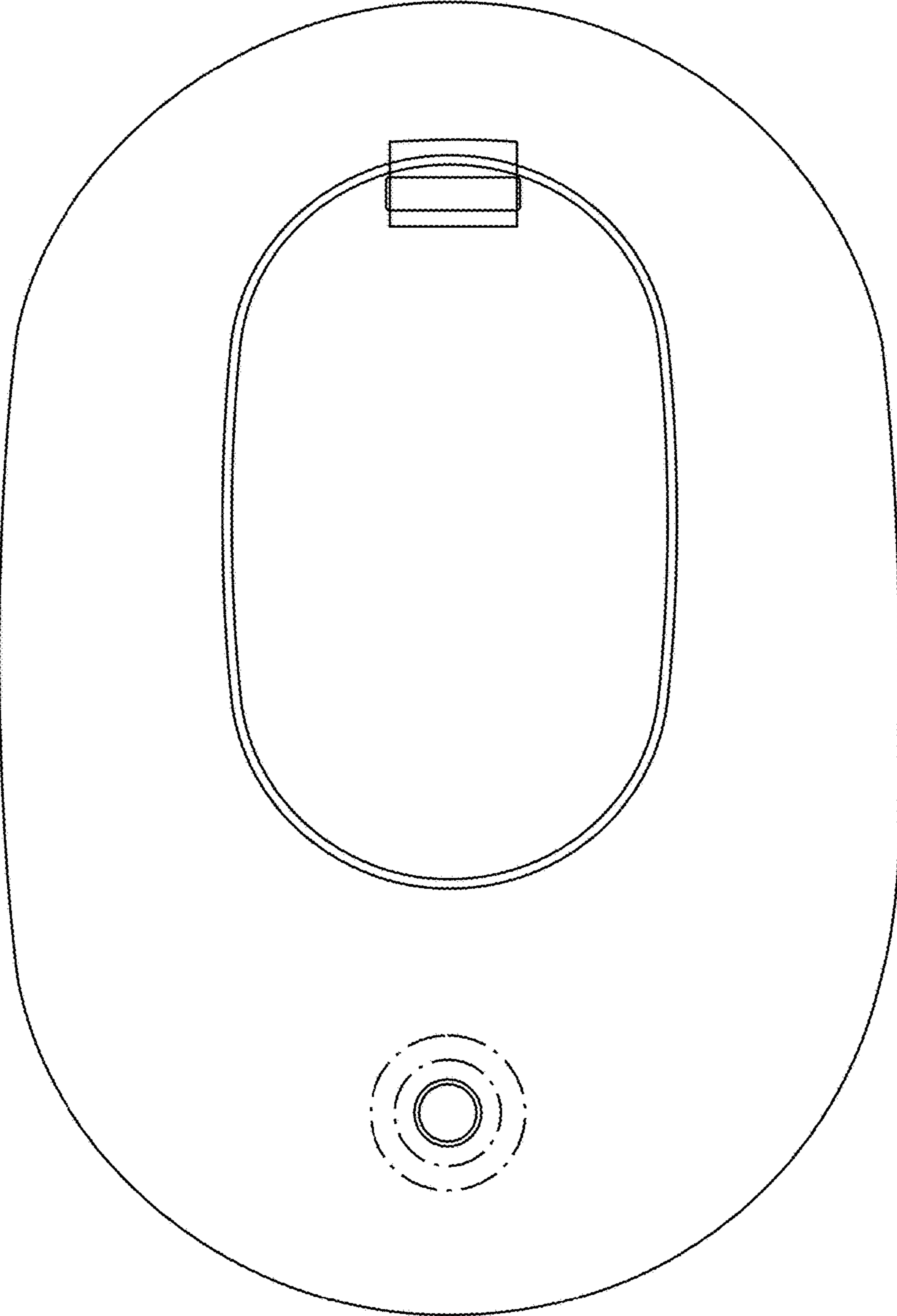


FIG. 6

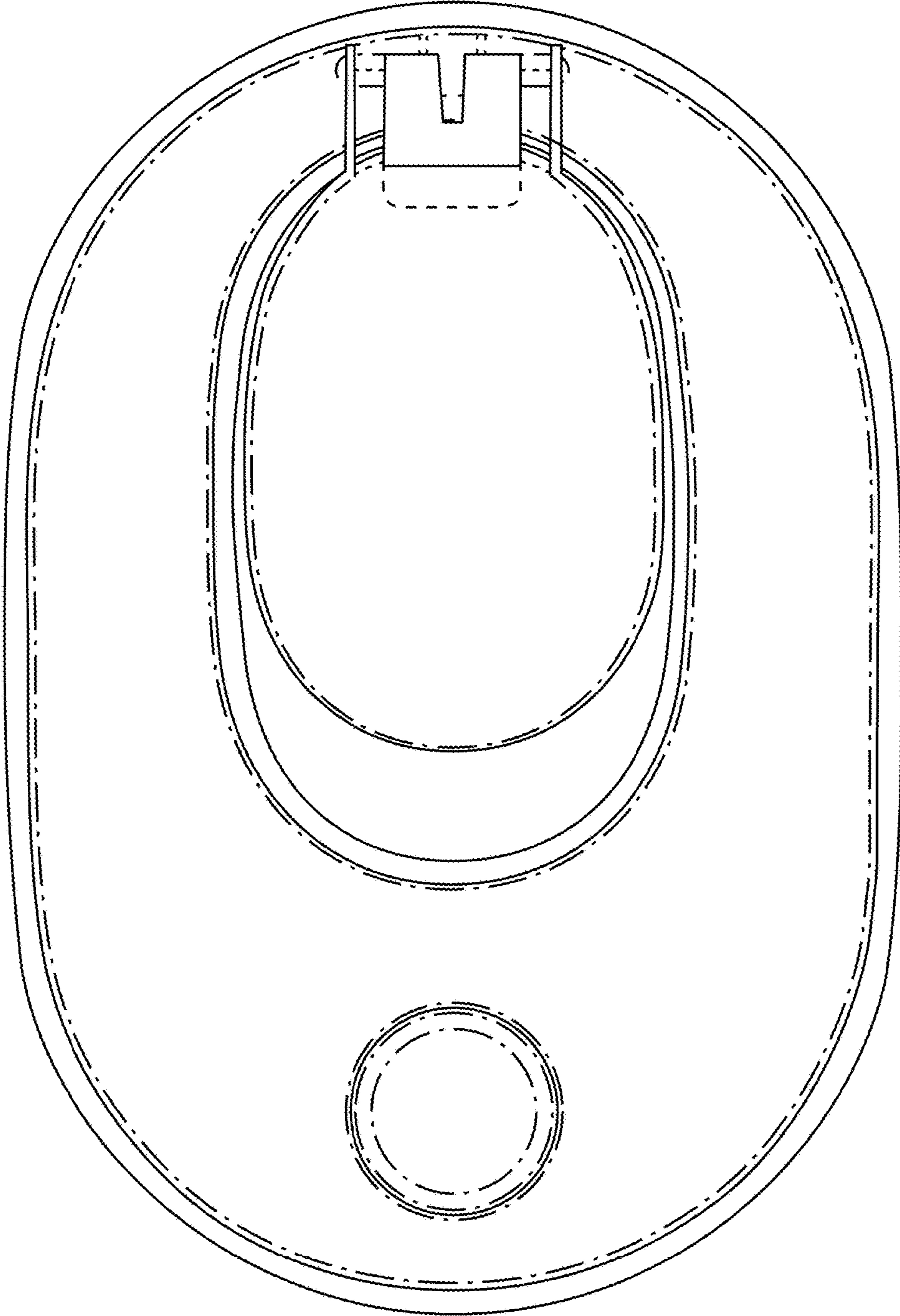


FIG. 7