



US00D846938S

(12) **United States Design Patent** (10) **Patent No.:** **US D846,938 S**
King (45) **Date of Patent:** **** Apr. 30, 2019**

(54) **TRIVET**

(71) Applicant: **OMMO Co., Limited**, Kwun Tong, Kowloon (HK)
(72) Inventor: **Sze Yik King**, Kowloon (HK)
(73) Assignee: **OMMO, CO., LIMITED**, Kwun Tong, Kowloon (HK)
(**) Term: **15 Years**

(21) Appl. No.: **29/602,004**

(22) Filed: **Apr. 27, 2017**

(51) **LOC (11) Cl.** **07-99**

(52) **U.S. Cl.**
USPC **D7/388**; D11/26

(58) **Field of Classification Search**
USPC D7/378, 388, 213, 402, 403, 633, 631;
D8/382, 399; D14/3, 4, 26; D23/259,
D23/269; D11/26
CPC A44C 5/00; A44C 5/0084; A44C 5/007;
A47J 36/34; A47J 45/10
See application file for complete search history.

(56) **References Cited**

U.S. PATENT DOCUMENTS

D368,516 S *	4/1996	Matsumura	D23/269
D492,216 S *	6/2004	Schubach	D11/26
D551,018 S *	9/2007	Goodman	D21/694
D696,751 S *	12/2013	Beagen, Jr.	D23/269
D710,740 S *	8/2014	Schmidt	D11/26
D728,757 S *	5/2015	Graham	D23/269
D779,366 S *	2/2017	Rose	D11/26
D780,870 S *	3/2017	Hamilton	A63B 57/40 D21/791
D802,723 S *	11/2017	Miyamoto	D23/269
D814,330 S *	4/2018	Zylka	D11/26
D828,524 S *	9/2018	Sugatani	D23/269

OTHER PUBLICATIONS

Lasso Trivet' posted at Naiise.com, no date posted, 2018, [site visited Nov. 21, 2018]. Available from Internet, <URL: https://naiise.com/products/lasso-trivet?variant=257089536016> (Year: 2018).*

* cited by examiner

Primary Examiner — Derrick E Holland

Assistant Examiner — Andrew Kerr

(74) *Attorney, Agent, or Firm* — Tarolli, Sunheim, Covell & Tummino LLP

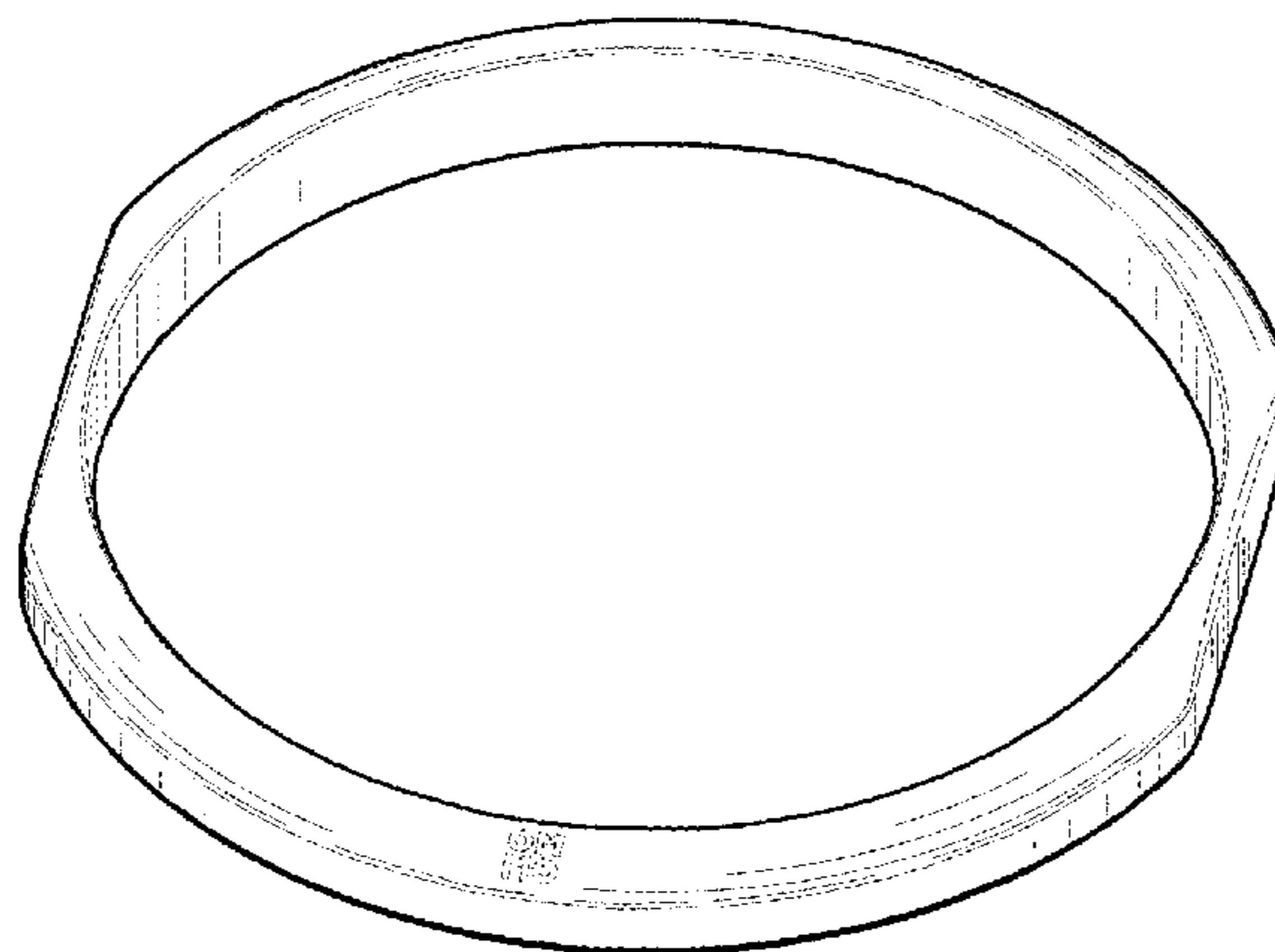
(57) **CLAIM**

The ornamental design for a trivet, as shown and described.

DESCRIPTION

FIG. 1 is a top perspective view of a trivet of the present disclosure;
FIG. 2 is a bottom perspective view thereof;
FIG. 3 is a top plan view thereof;
FIG. 4 is a bottom plan view thereof;
FIG. 5 is a side elevation view thereof;
FIG. 6 is a second side elevation thereof;
FIG. 7 is a third side elevation thereof;
FIG. 8 is a fourth side elevation thereof;
FIG. 9 is a top perspective view showing the trivet in a compressed position;
FIG. 10 is a top plan view thereof in a compressed position;
FIG. 11 is an upper perspective view thereof in a compressed position; and,
FIG. 12 is a lower perspective view thereof in a compressed position.
The broken lines shown represent the portions of the trivet that form no part of the claimed design.

1 Claim, 4 Drawing Sheets



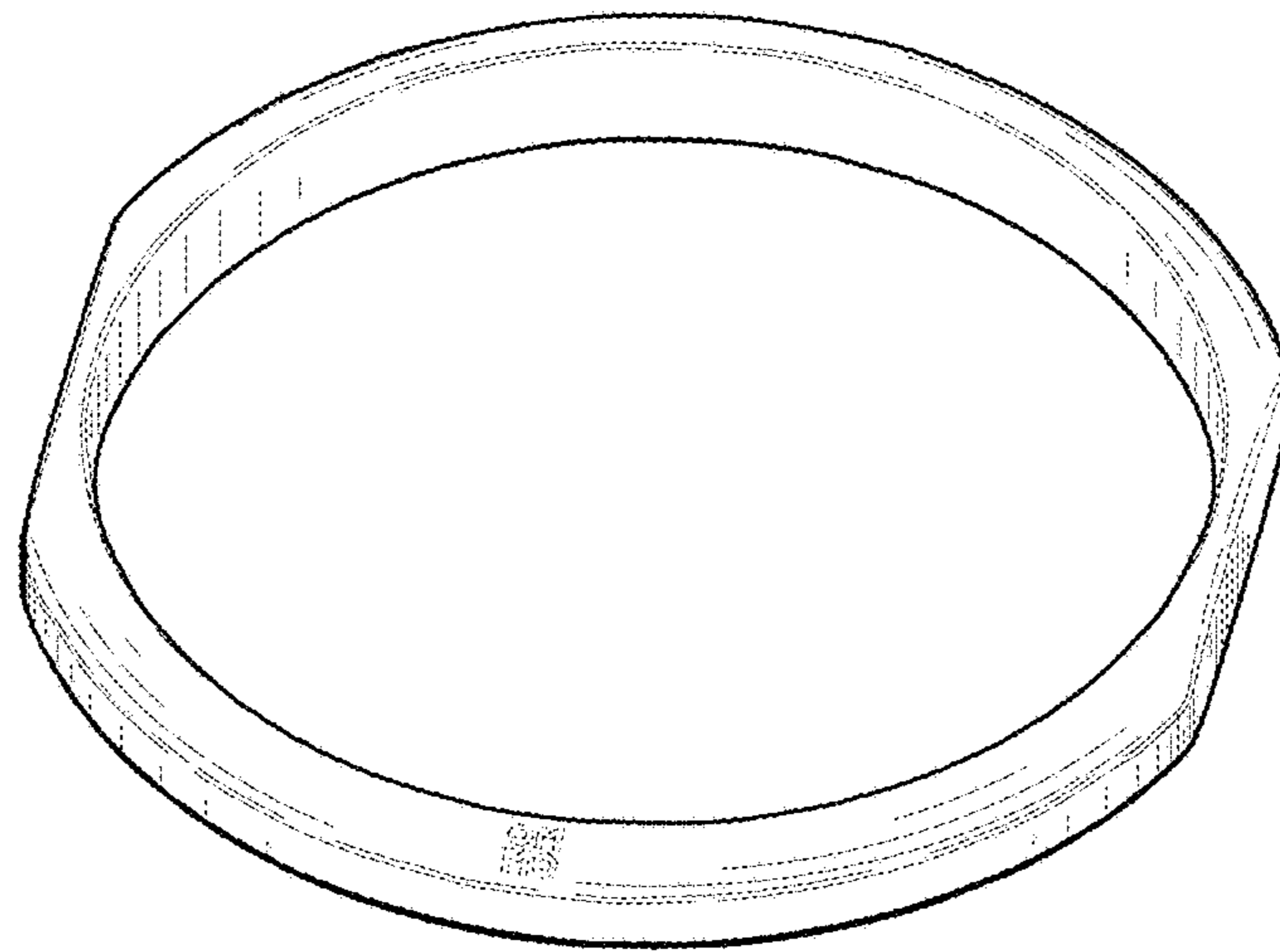


Fig. 1

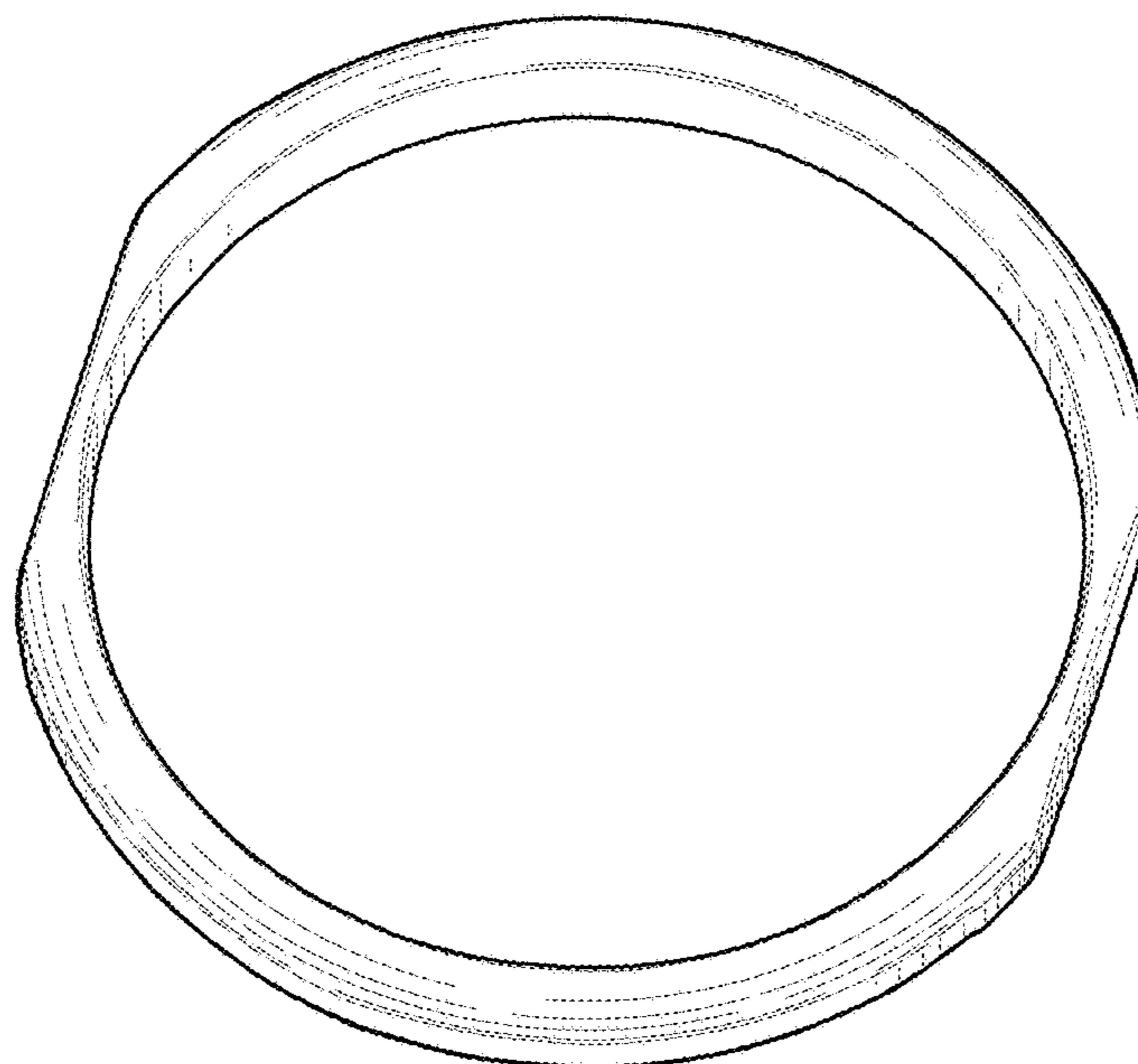


Fig. 2

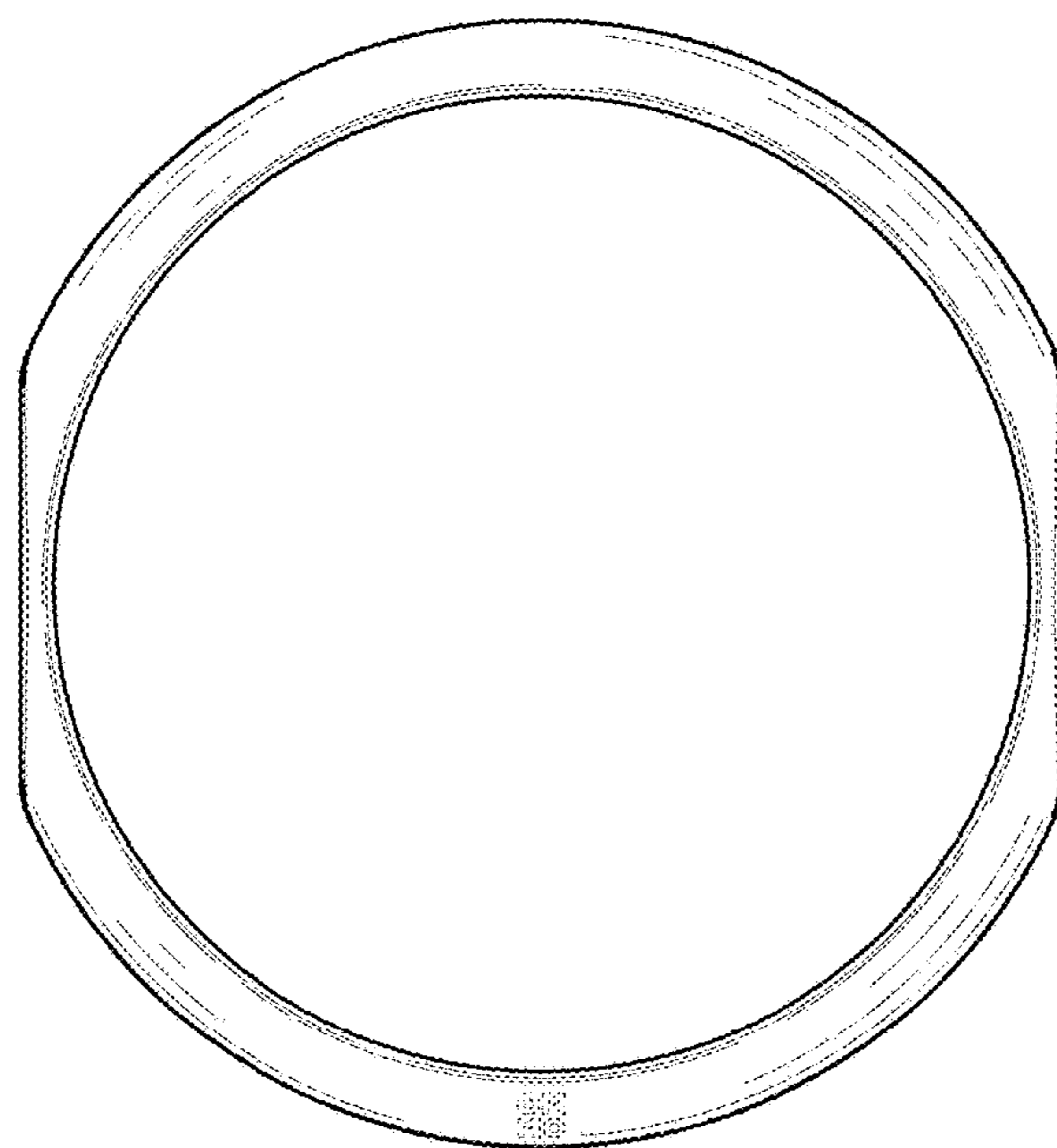


Fig. 3

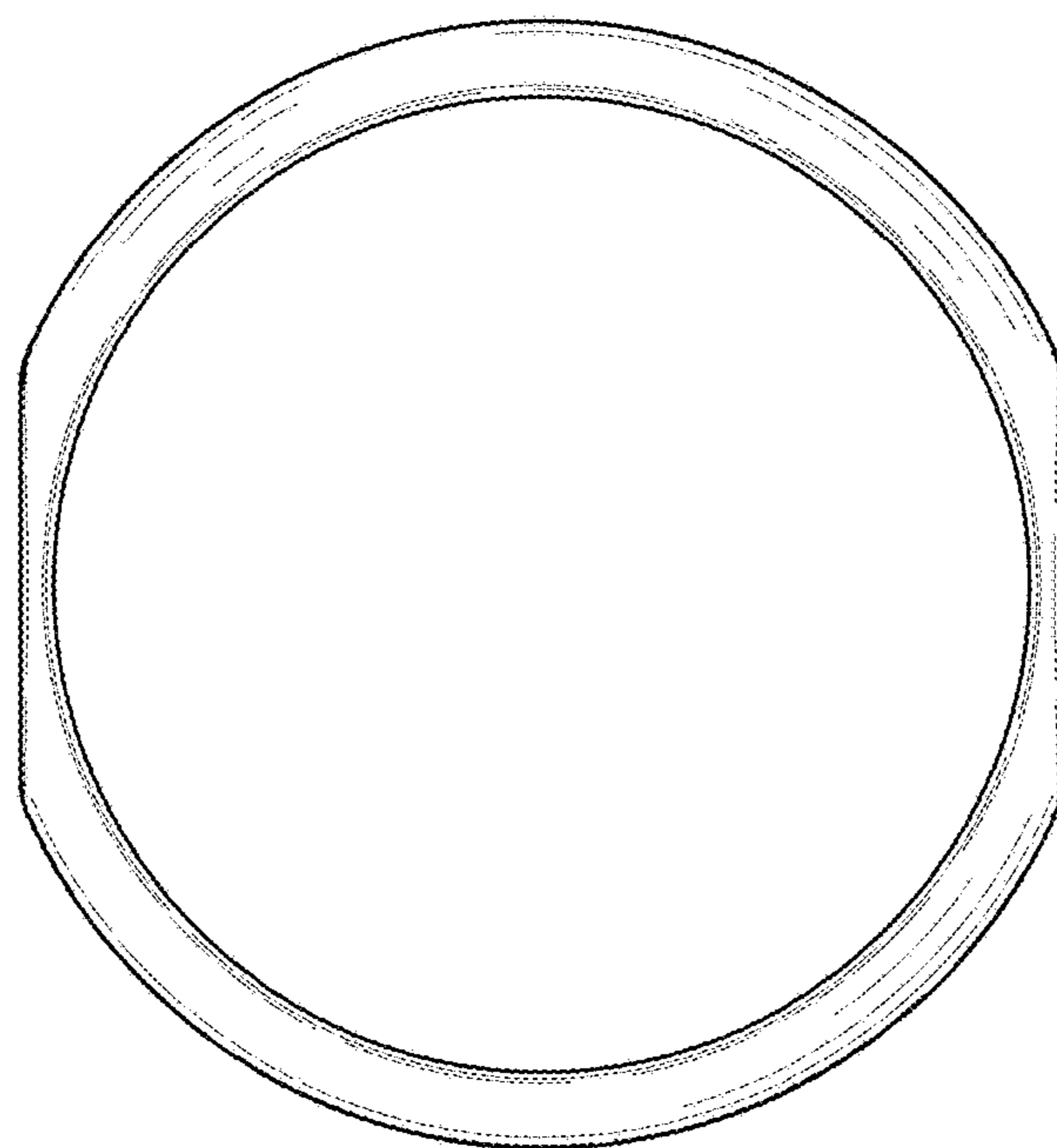


Fig. 4

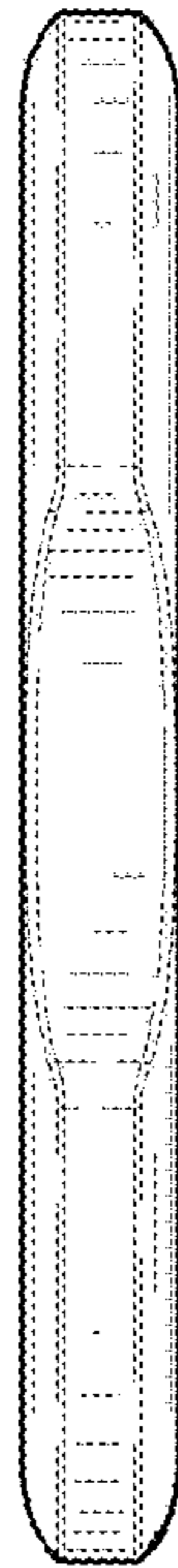


Fig. 5



Fig. 6

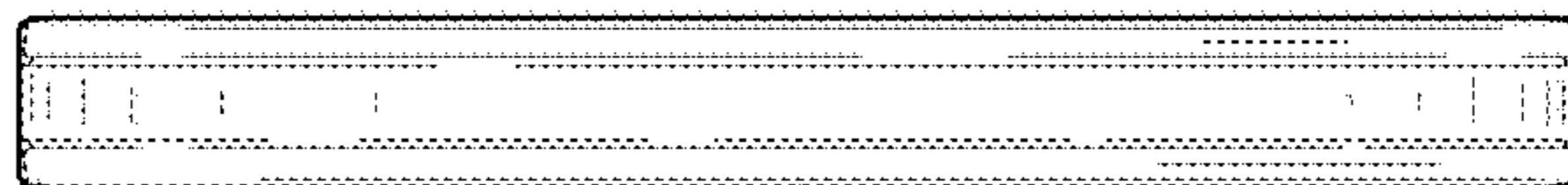


Fig. 7

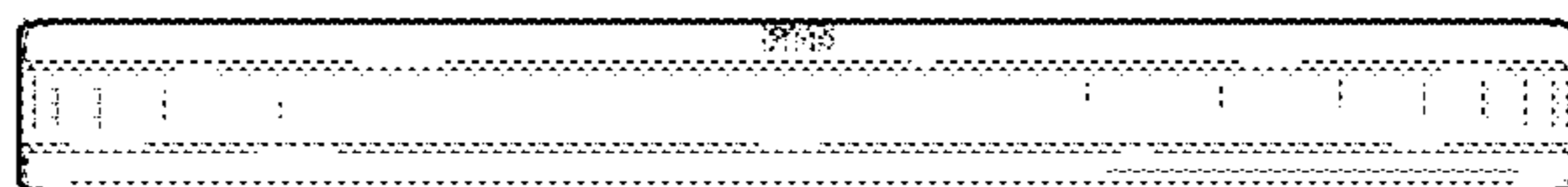


Fig. 8

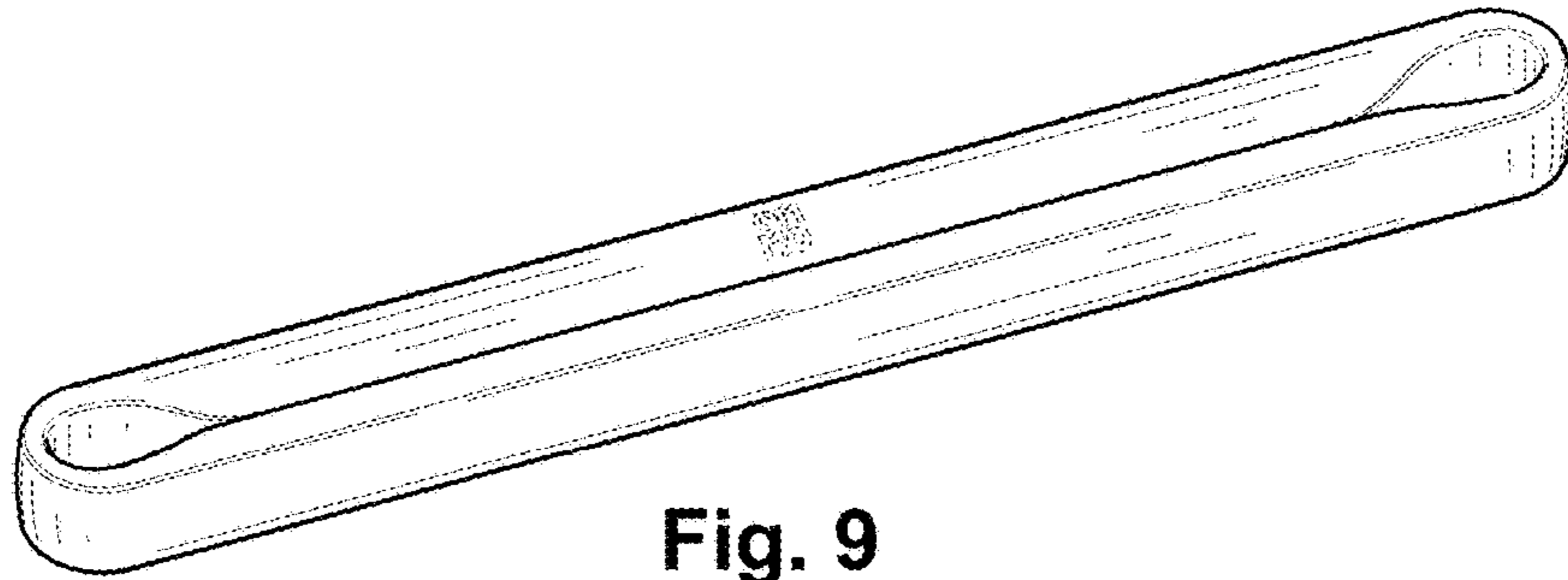


Fig. 9

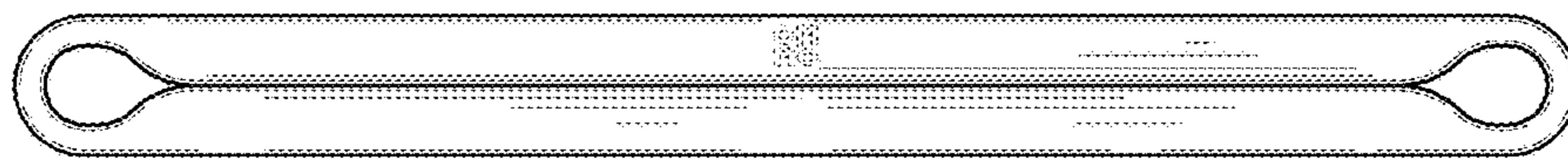


Fig. 10

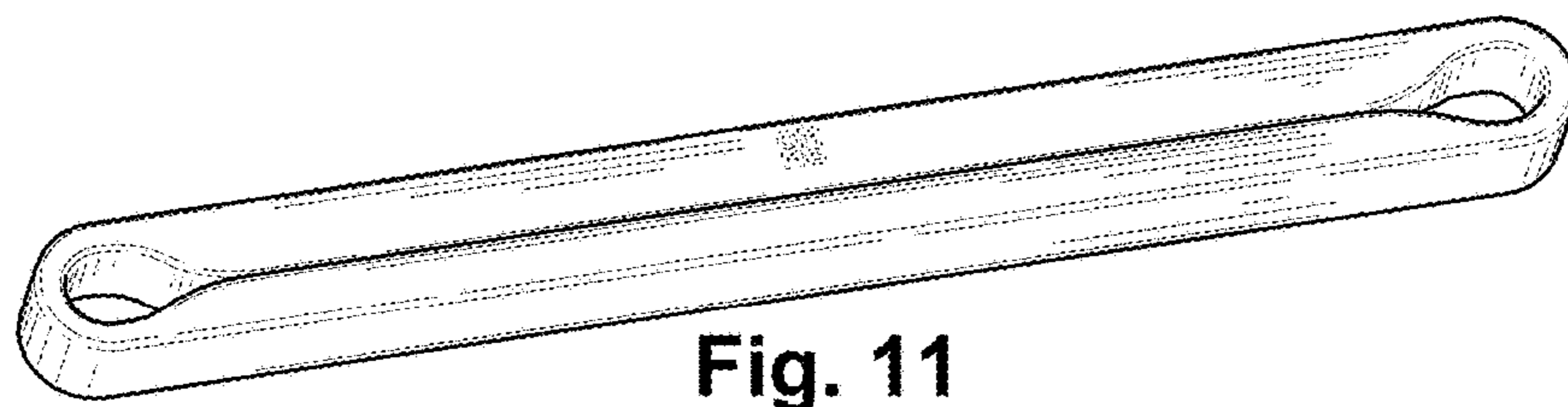


Fig. 11

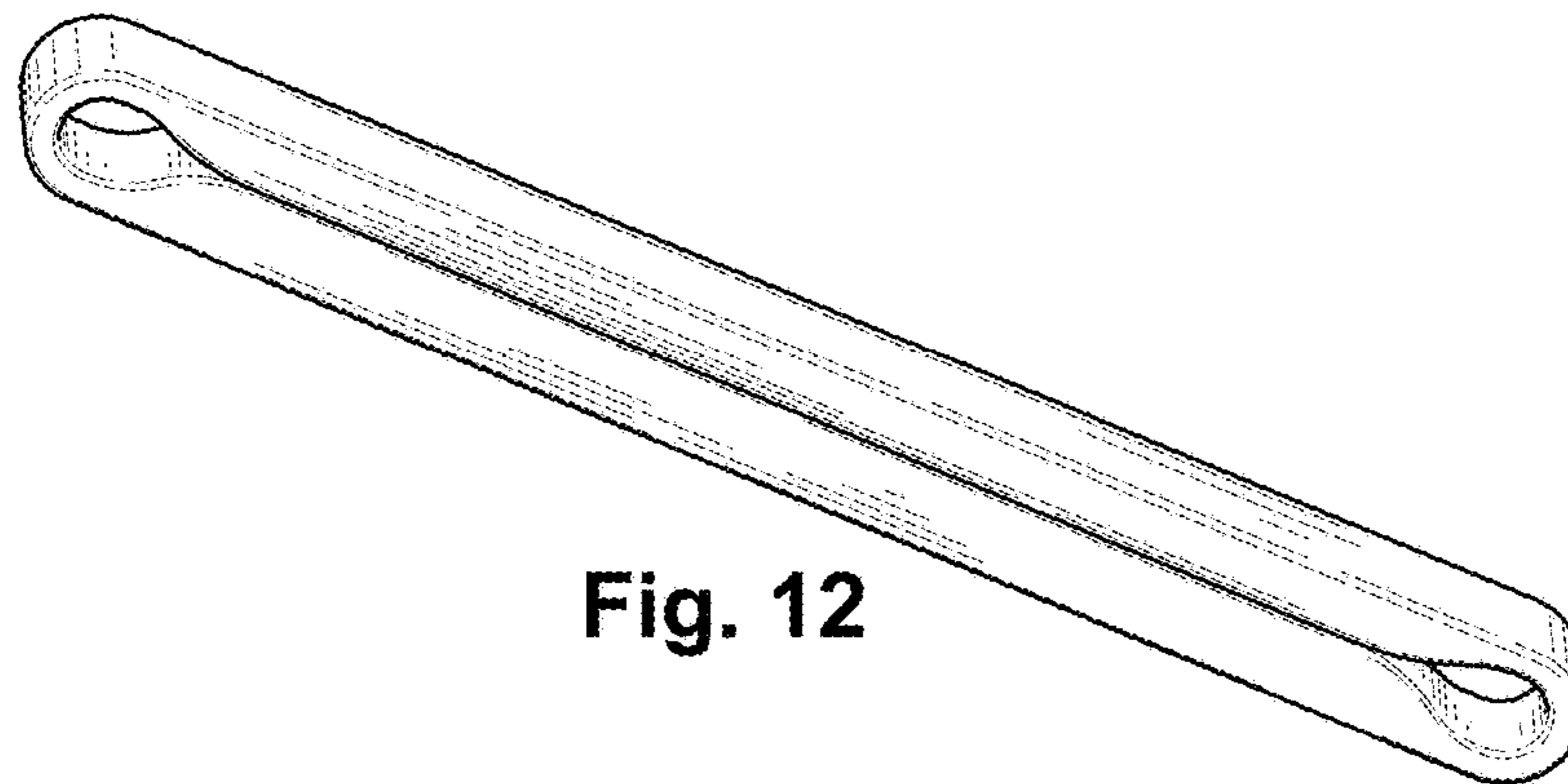


Fig. 12