



US00D846937S

(12) **United States Design Patent**
Hu

(10) **Patent No.:** **US D846,937 S**

(45) **Date of Patent:** **** *Apr. 30, 2019**

(54) **COMMERCIAL MICROWAVE OVEN**

(71) Applicants: **GUANGDONG MIDEA KITCHEN APPLIANCES MANUFACTURING CO., LTD.**, Foshan (CN); **MIDEA GROUP CO., LTD.**, Foshan (CN)

(72) Inventor: **Yibo Hu**, Foshan (CN)

(73) Assignees: **GUANGDONG MIDEA KITCHEN APPLIANCES MANUFACTURING CO., LTD.**, Foshan (CN); **MIDEA GROUP CO., LTD.**, Foshan (CN)

(*) Notice: This patent is subject to a terminal disclaimer.

(**) Term: **15 Years**

(21) Appl. No.: **29/596,158**

(22) Filed: **Mar. 6, 2017**

(30) **Foreign Application Priority Data**

Nov. 21, 2016 (CN) 2016 3 0564045

(51) **LOC (11) Cl.** **07-02**

(52) **U.S. Cl.**
USPC **D7/351**

(58) **Field of Classification Search**
USPC D7/323, 339, 340, 341, 347, 348, 349, D7/351, 350.1, 350.2, 350.3, 350.4, 402, D7/403, 405, 395
CPC .. A21B 2/00; A21B 3/02; F24C 15/02; H05B 1/0263; H05B 2206/044; H05B 6/763; H05B 6/76; H05B 6/802; H05B 6/808; H05B 6/64
See application file for complete search history.

(56) **References Cited**

U.S. PATENT DOCUMENTS

1,965,354 A * 7/1934 Patock A47J 45/10
16/421
D442,756 S * 5/2001 Jarvis D34/19

D491,414 S * 6/2004 Nichols D7/402
D547,111 S * 7/2007 Loyd D7/348
RE44,770 E * 2/2014 Nichols D7/402
D737,096 S * 8/2015 Lee D7/402
D737,623 S * 9/2015 Hu D7/351
D759,419 S * 6/2016 Ruscito D7/339

(Continued)

FOREIGN PATENT DOCUMENTS

CA 2932789 A1 * 12/2016 H05B 6/6426

OTHER PUBLICATIONS

Webstaurantstore. <URL: <https://www.webstaurantstore.com/merrychef-eikon-e2s-red-high-power-high-speed-accelerated-cooking-countertop-oven-208-240v/574E2SHTHRED.html>> Visited May 5, 2018. Merrychef E2S Red high-speed countertop oven.*

Primary Examiner — Thomas Johannes

Assistant Examiner — Lauren D McVey

(74) *Attorney, Agent, or Firm* — Hodgson Russ LLP

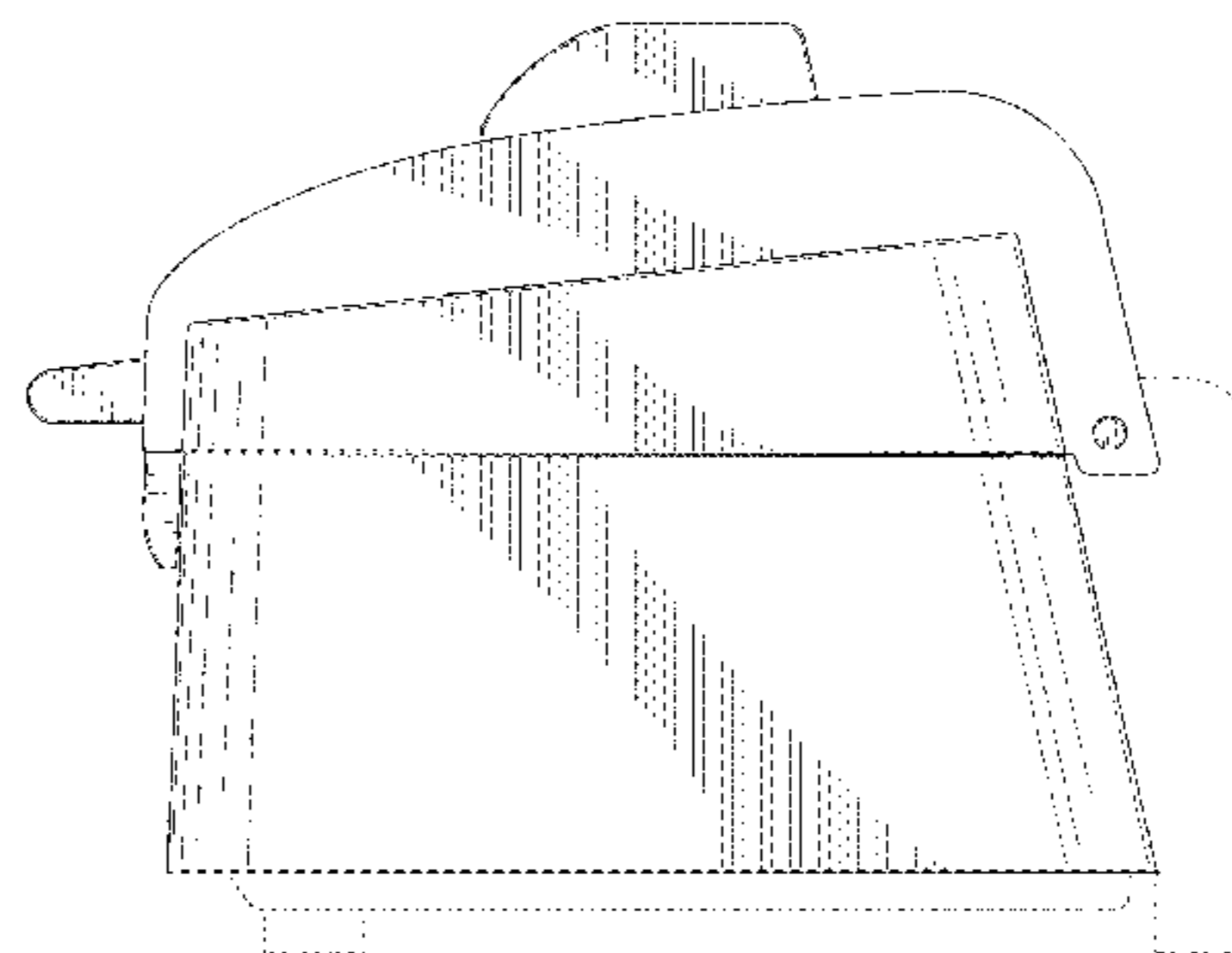
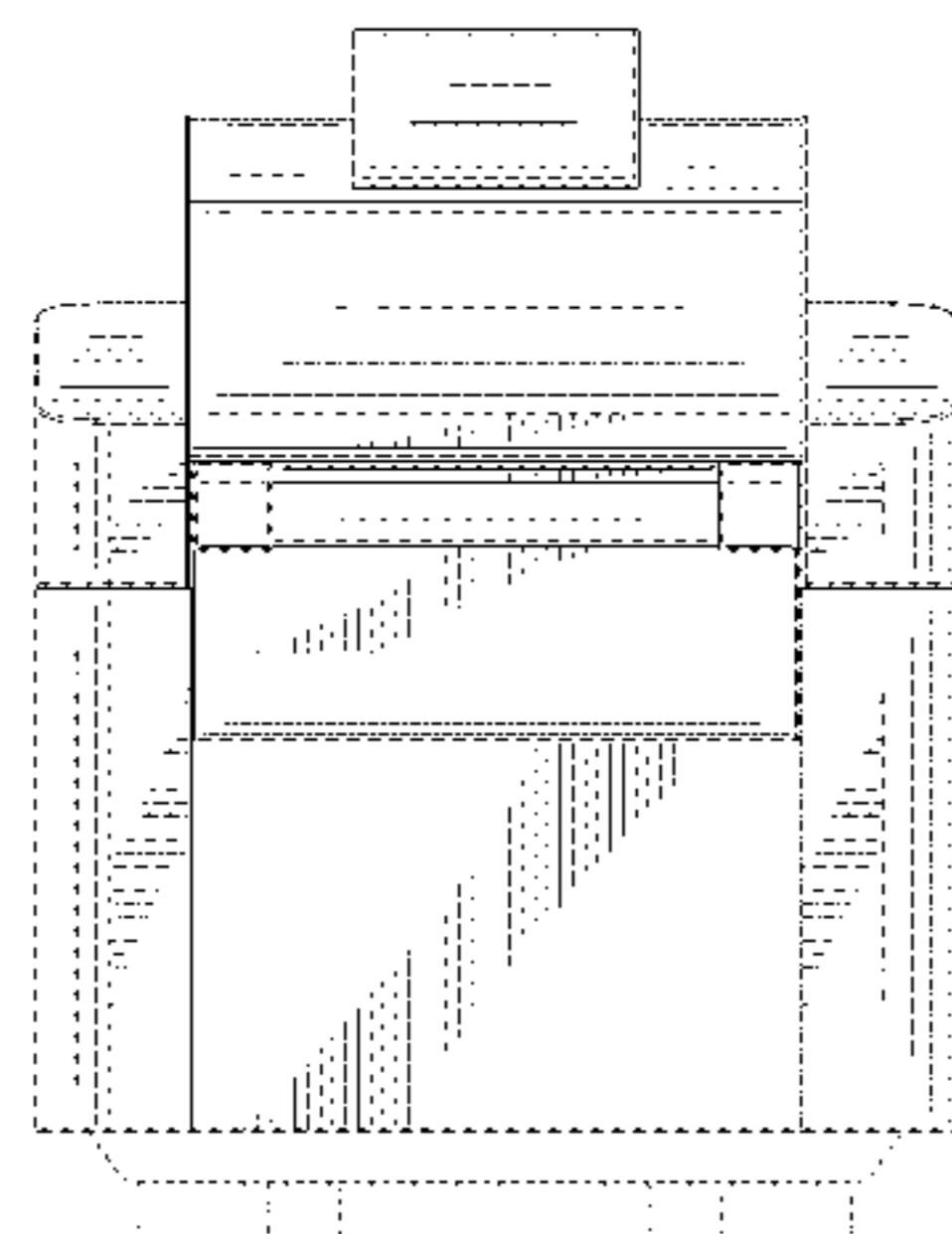
(57) **CLAIM**

The ornamental design for a commercial microwave oven, as shown and described.

DESCRIPTION

FIG. 1 is a front elevation view of a commercial microwave oven, showing my new design;
FIG. 2 is a left side elevation view thereof;
FIG. 3 is a right side elevation view thereof;
FIG. 4 is a top plan view thereof; and,
FIG. 5 is a front, right side perspective view thereof.
Rear and bottom views are omitted as they form no part of the claimed design. The broken lines immediately adjacent the shaded areas represent the bounds of the claimed design while all other broken lines are directed to unclaimed features of the commercial microwave oven and are for illustrative purposes only; the broken lines form no part of the claimed design.

1 Claim, 5 Drawing Sheets



(56)

References Cited

U.S. PATENT DOCUMENTS

D790,904 S * 7/2017 Sajjad D7/339
D790,905 S * 7/2017 Sajjad D7/339
D799,264 S * 10/2017 Lira-Nunez D7/402
2014/0263285 A1* 9/2014 Tippmann A47J 37/0611
219/620
2016/0298856 A1* 10/2016 Trood F24C 15/023

* cited by examiner

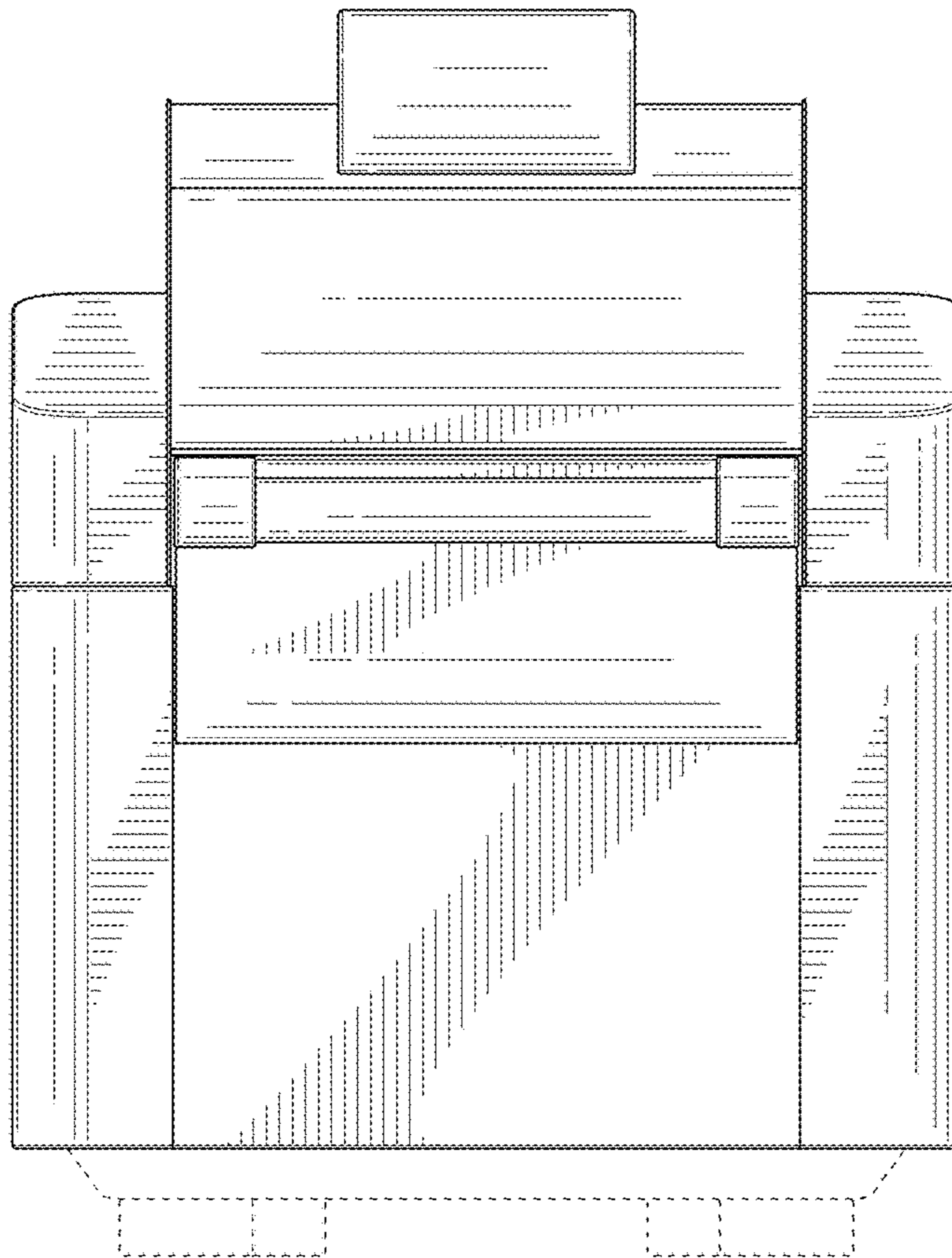


FIG. 1

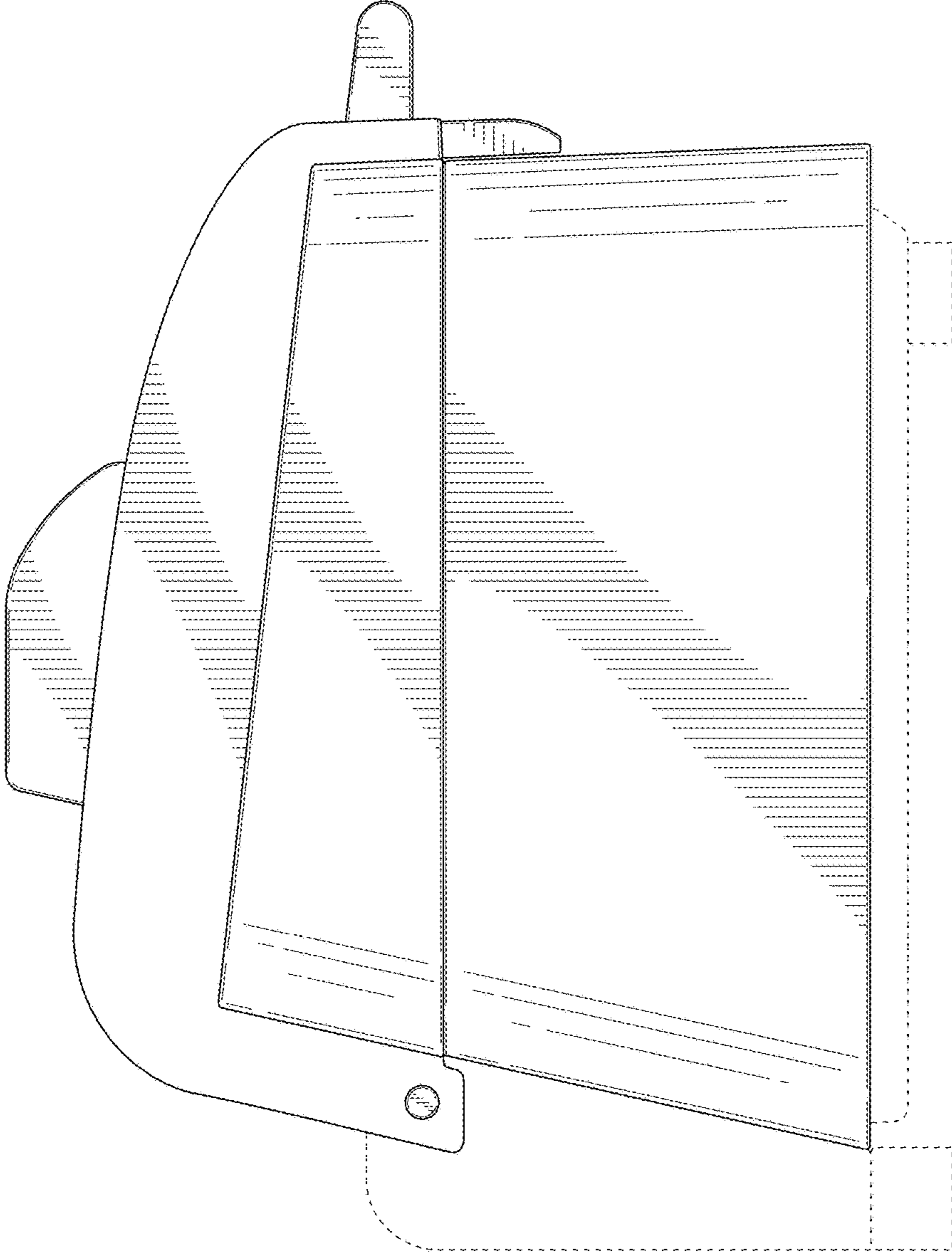


FIG. 2

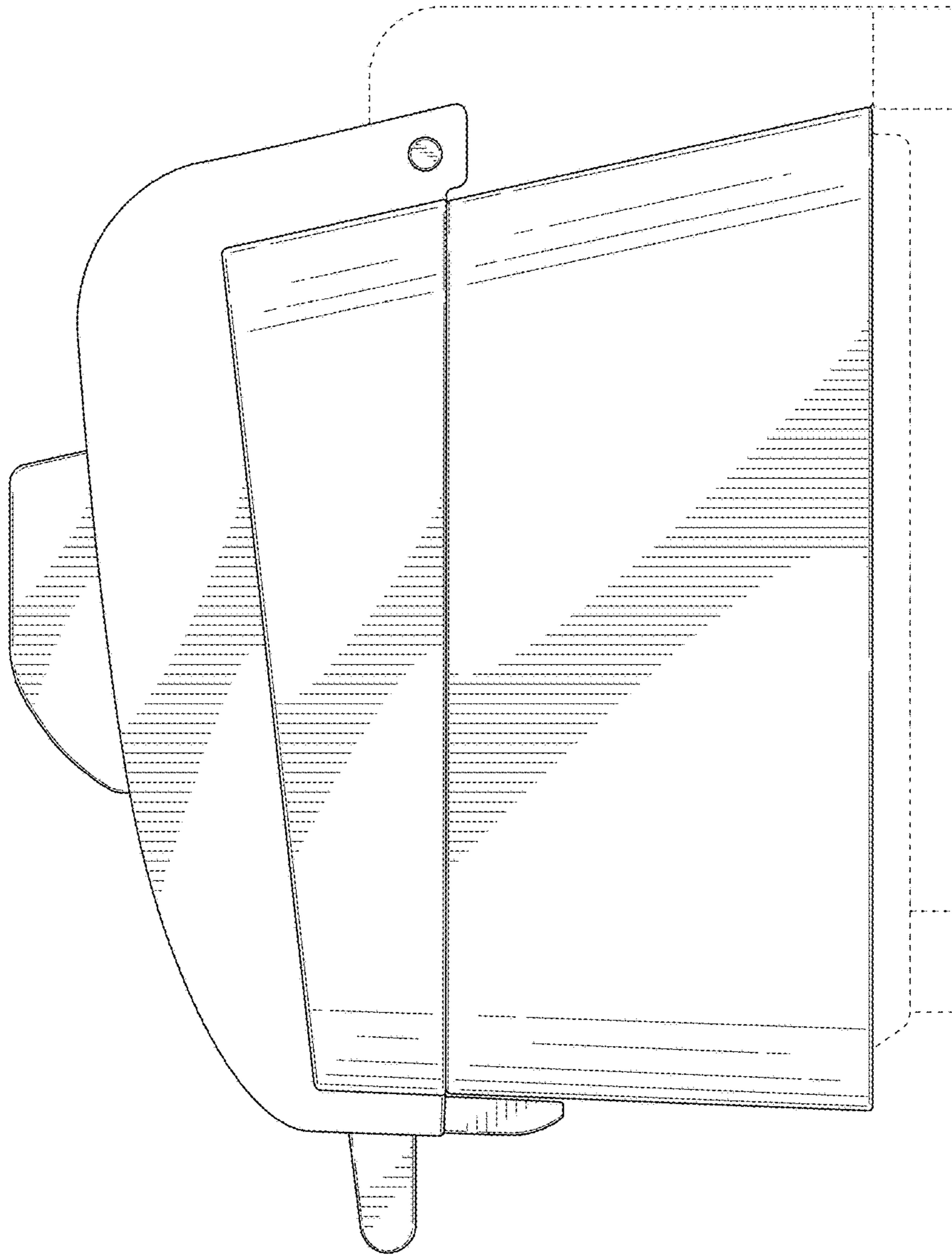


FIG. 3

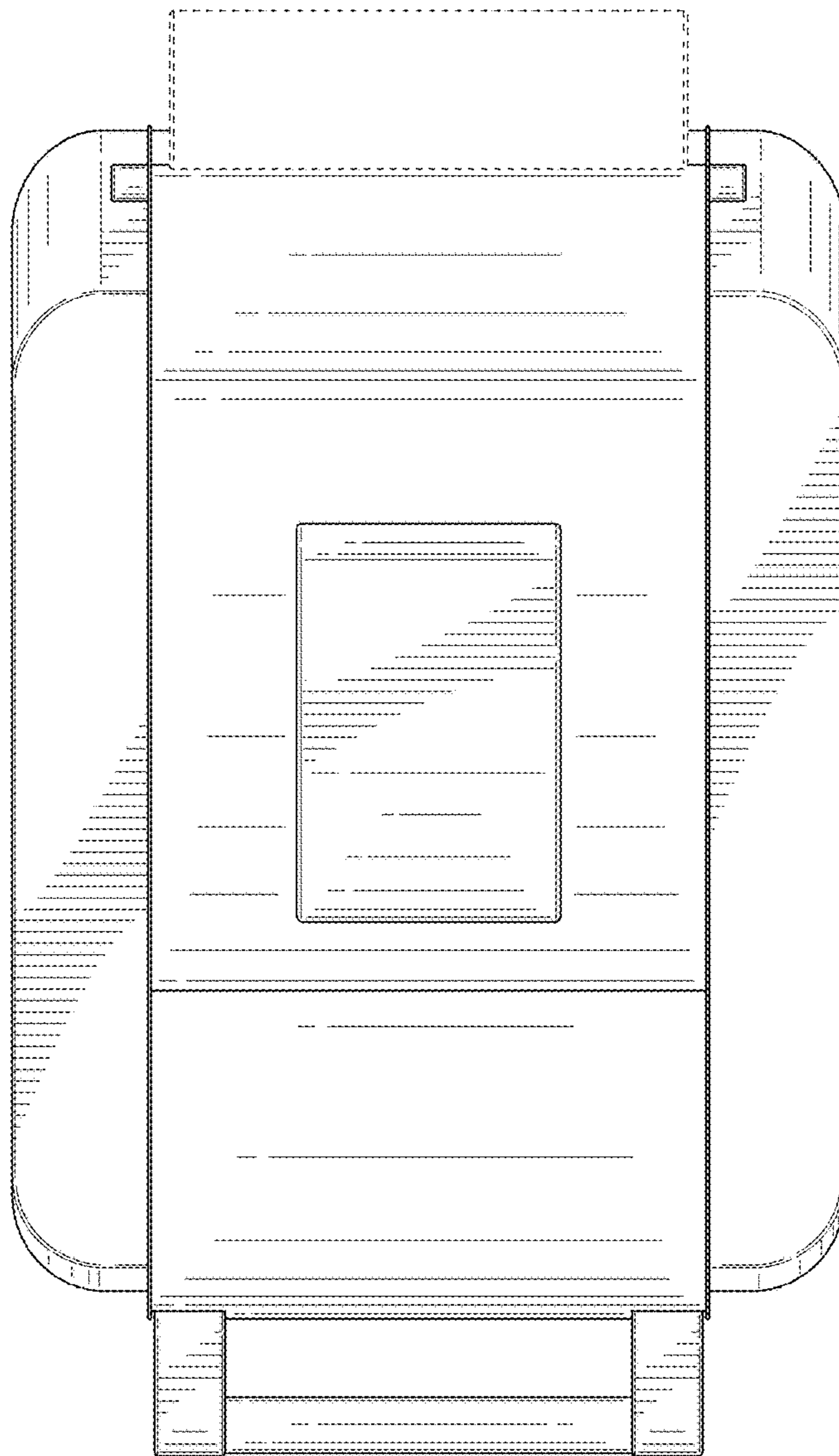


FIG. 4

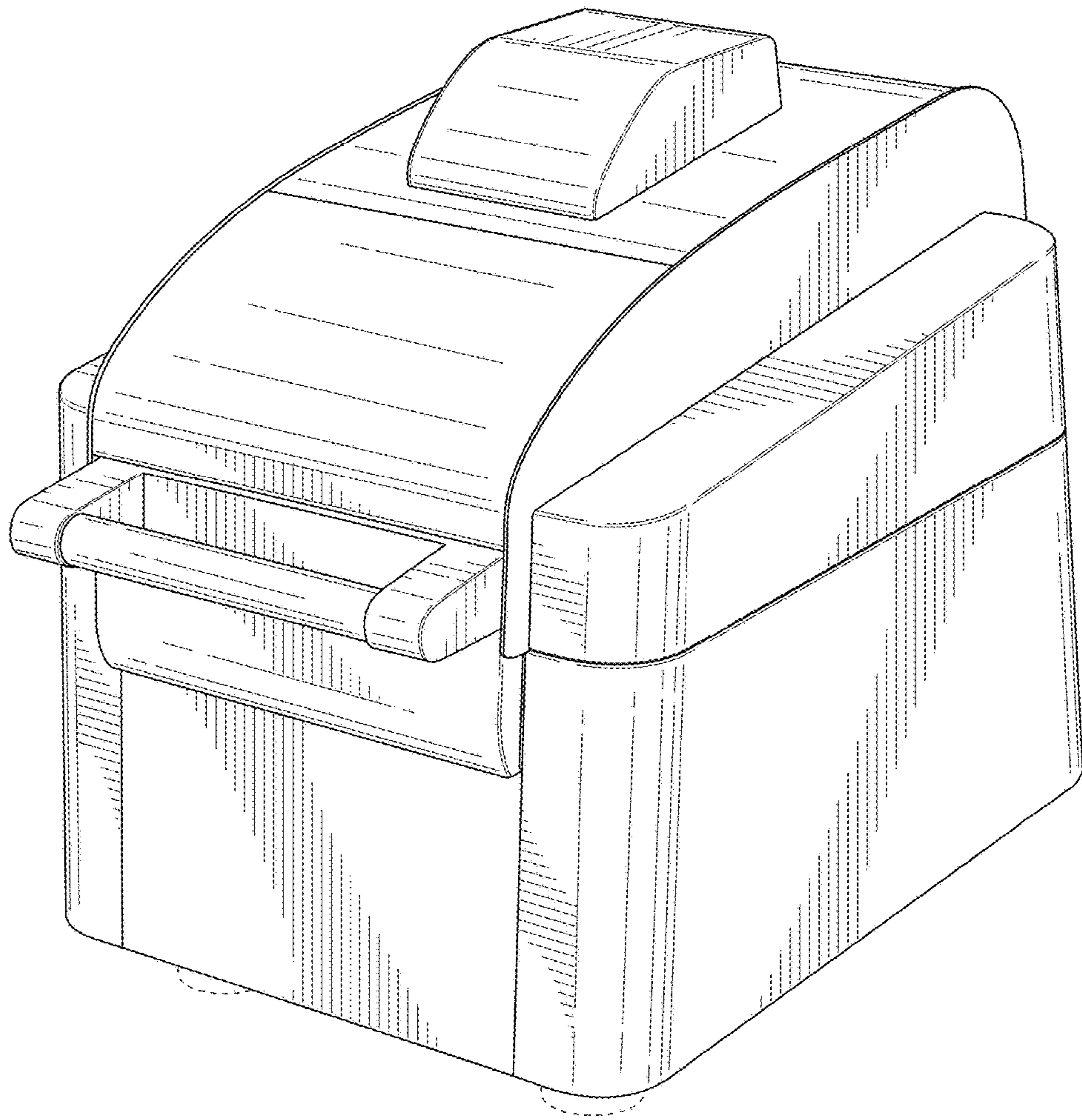


FIG. 5