



US00D846936S

(12) **United States Design Patent**  
**Morenstein et al.**

(10) **Patent No.: US D846,936 S**

(45) **Date of Patent: \*\* \*Apr. 30, 2019**

(54) **OVEN**

(71) Applicant: **Brava Home, Inc.**, Redwood City, CA (US)

(72) Inventors: **Joshua Morenstein**, San Francisco, CA (US); **Christopher Hibmacronan**, Oakland, CA (US)

(73) Assignee: **BRAVA HOME, INC.**, Redwood City, CA (US)

(\*) Notice: This patent is subject to a terminal disclaimer.

(\*\*) Term: **15 Years**

(21) Appl. No.: **29/573,772**

(22) Filed: **Aug. 9, 2016**

(51) **LOC (11) Cl.** ..... **07-02**

(52) **U.S. Cl.**  
USPC ..... **D7/350.1**

(58) **Field of Classification Search**  
USPC ..... D7/350.1-351, 402-403, 405, 354  
CPC . H05B 6/64; H05B 6/12; H05B 6/806; H05B 6/6426; H05B 6/6414

See application file for complete search history.

(56) **References Cited**

U.S. PATENT DOCUMENTS

6,843,207	B2 *	1/2005	Kanzaki .....	F24C 15/003 122/30
D541,578	S *	5/2007	Jeon .....	D7/350.1
D586,180	S *	2/2009	Pino .....	D7/405
D602,306	S *	10/2009	Lavy .....	D7/350.1
D629,639	S *	12/2010	Fernandez .....	D7/350.1
D771,995	S *	11/2016	Bhogal .....	D7/350.1
D771,996	S *	11/2016	Bhogal .....	D7/350.1
D777,504	S *	1/2017	Bhogal .....	D7/350.1
D782,864	S *	4/2017	Bhogal .....	D7/350.1
D783,336	S *	4/2017	Suh .....	D7/351
D802,996	S *	11/2017	Bhogal .....	D7/405

\* cited by examiner

*Primary Examiner* — Ruth McInroy

(74) *Attorney, Agent, or Firm* — Haynes and Boone, LLP

(57) **CLAIM**

The ornamental design for an oven, as shown and described.

**DESCRIPTION**

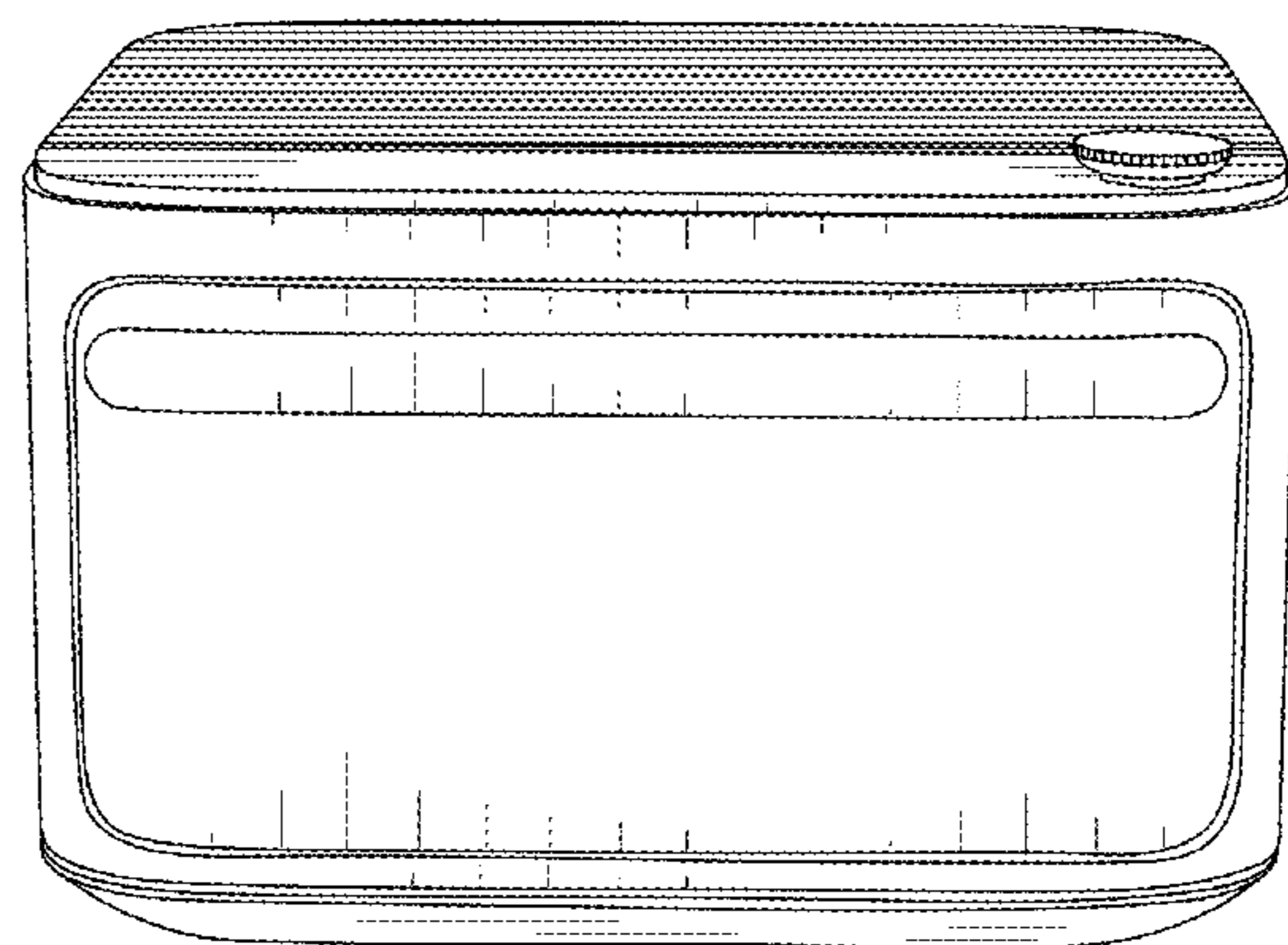
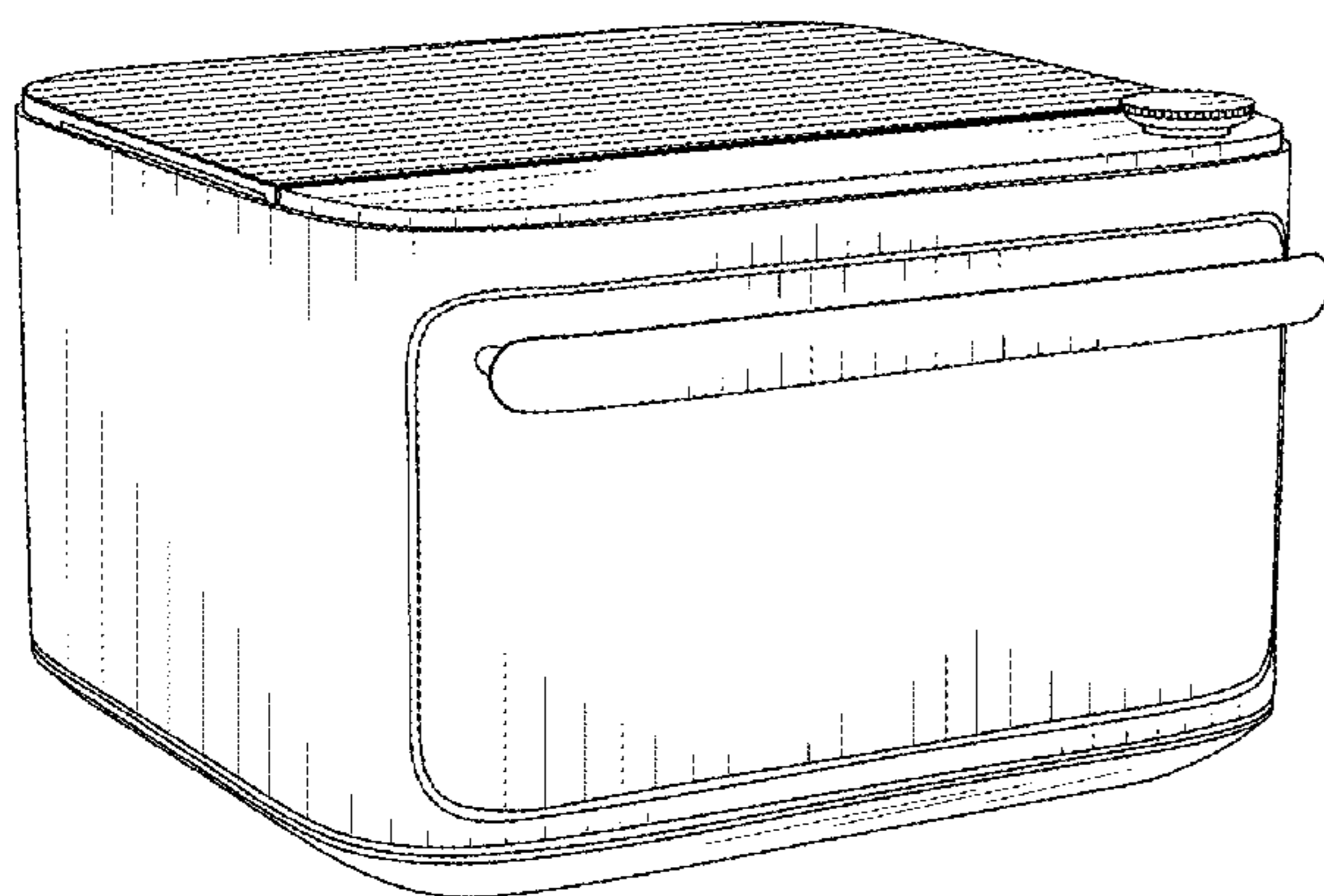
FIG. 1 is a front and left side perspective view of an oven showing our new design;

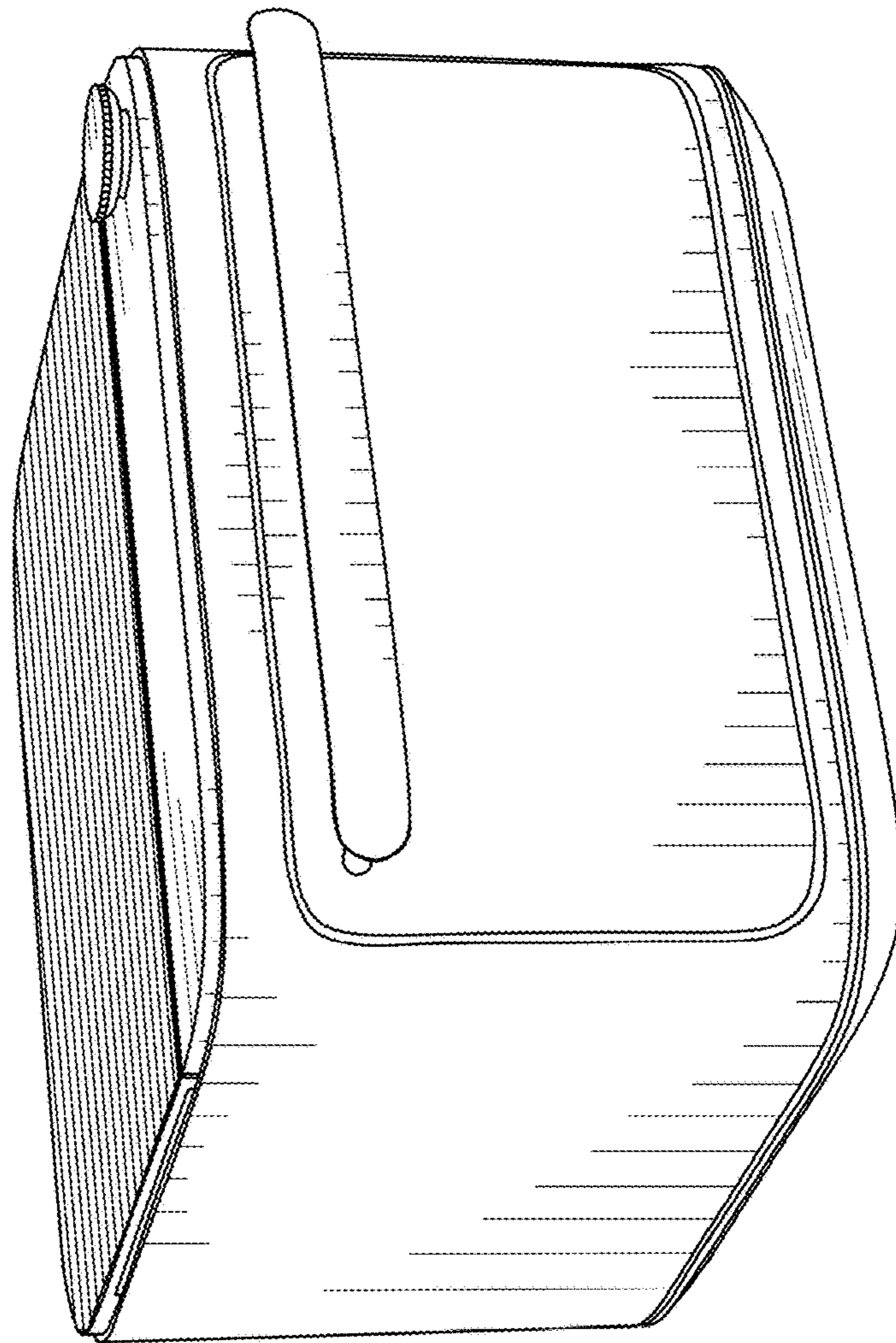
FIG. 2 is a front perspective view thereof;

FIG. 3 is a left side view thereof; and,

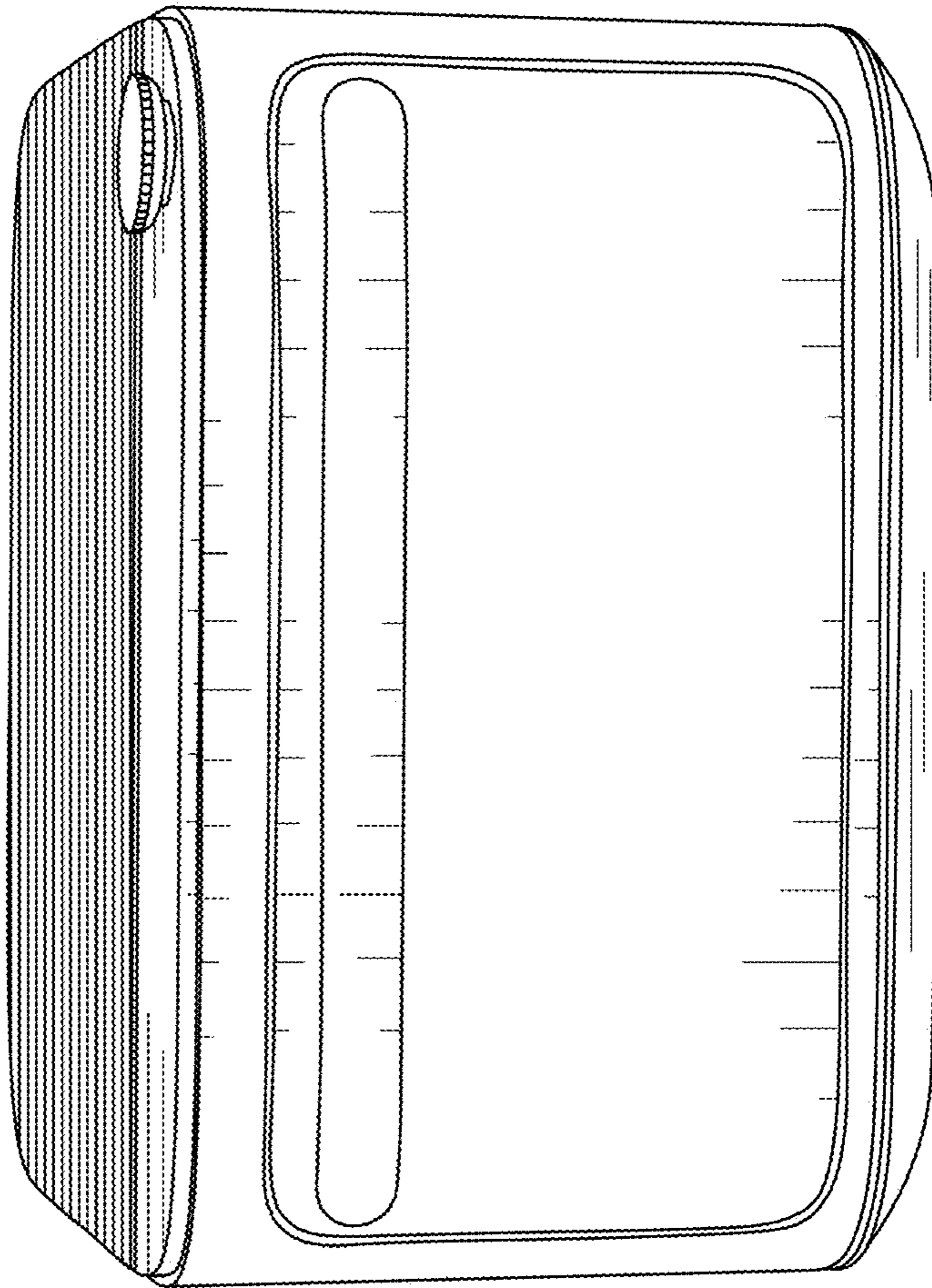
FIG. 4 is a front view thereof.

**1 Claim, 4 Drawing Sheets**

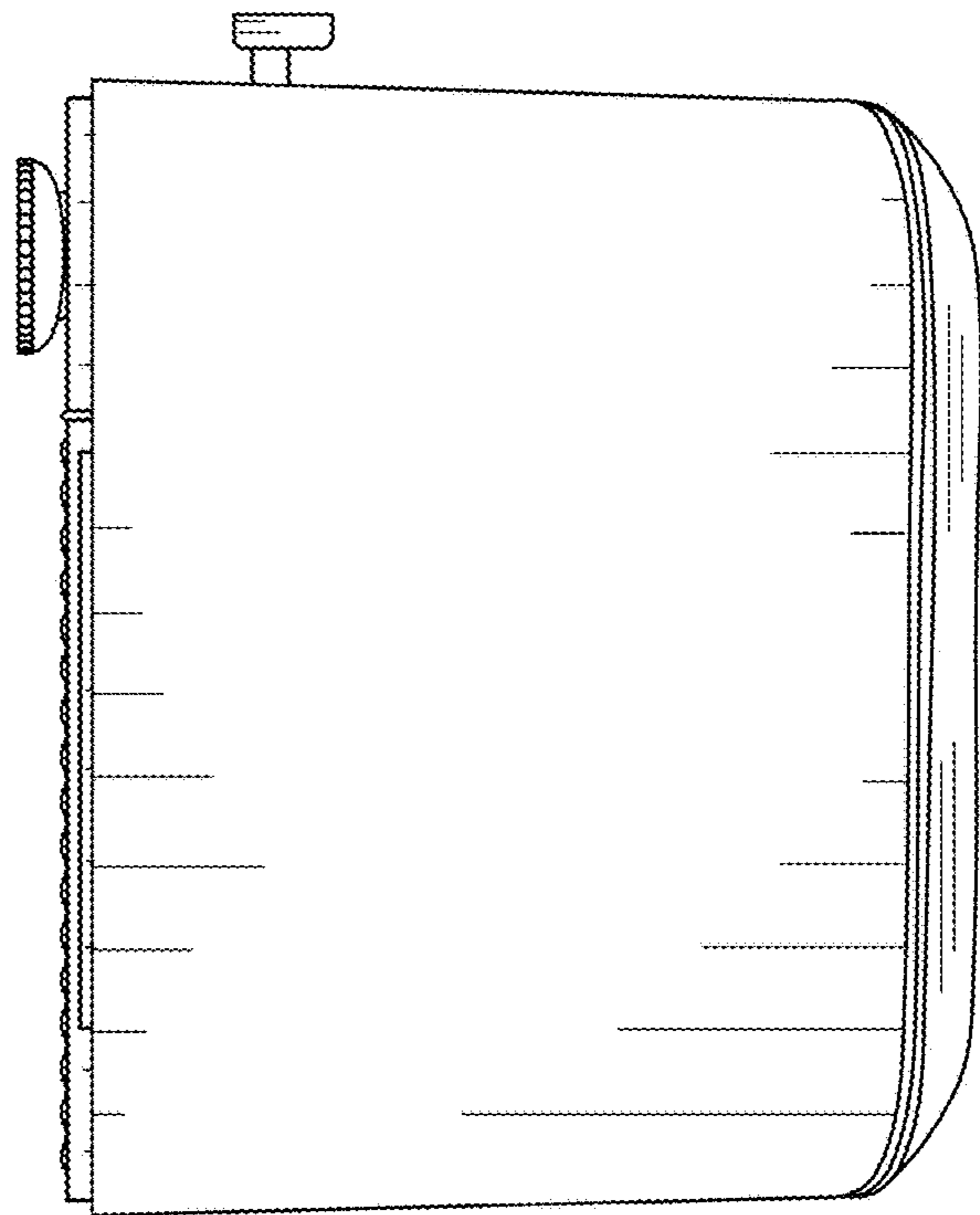




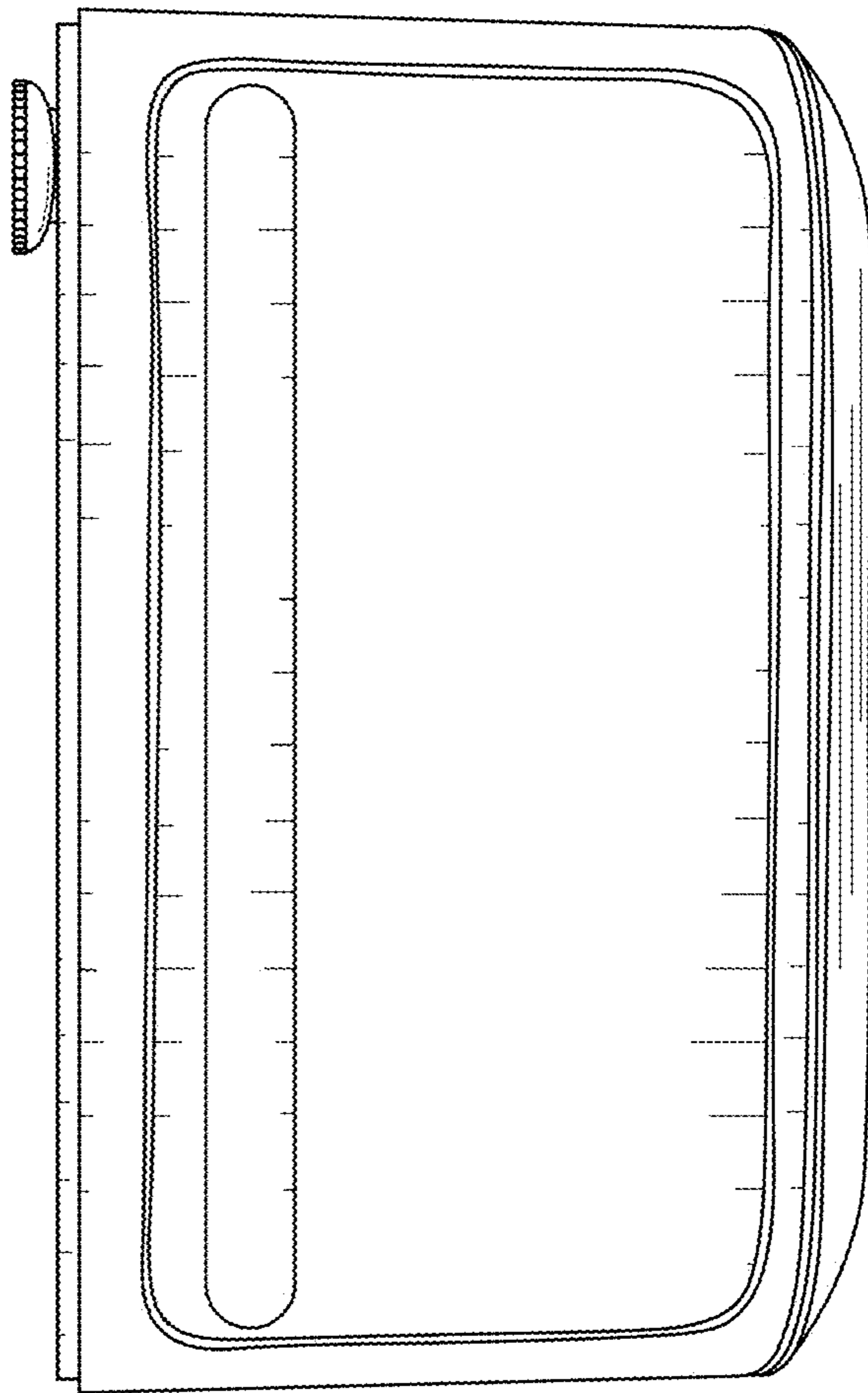
**FIG. 1**



**FIG. 2**



*FIG. 3*



**FIG. 4**