

US00D846934S

(12) **United States Design Patent** (10) **Patent No.:** **US D846,934 S**
Tewari (45) **Date of Patent:** **** Apr. 30, 2019**

(54) **BEVERAGE MIXER DISPENSER**
(71) Applicant: **Barsys LLC**, New York, NY (US)
(72) Inventor: **Akshet Tewari**, New Delhi (IN)
(73) Assignee: **Barsys LLC**, New York, NY (US)
(**) Term: **15 Years**
(21) Appl. No.: **29/607,570**

(22) Filed: **Jun. 14, 2017**
(51) **LOC (11) Cl.** **07-01**
(52) **U.S. Cl.**
USPC **D7/306; D7/313**
(58) **Field of Classification Search**
USPC D7/213, 300, 305, 306-311, 313, 397,
D7/399, 509-511; D20/1, 4
CPC A47J 31/44; B67D 3/00
See application file for complete search history.

(56) **References Cited**
U.S. PATENT DOCUMENTS
D592,003 S * 5/2009 Giugiaro D7/308
D755,556 S * 5/2016 Bandixen D7/306
D811,815 S * 3/2018 Fletcher D7/397
D817,061 S * 5/2018 Lissoni D7/309
D823,039 S * 7/2018 Grassia D7/309
D823,627 S * 7/2018 Gebhardt D7/309
2017/0280921 A1* 10/2017 Jung B01D 35/00
2018/0078084 A1* 3/2018 Nagayoshi B67D 1/08

OTHER PUBLICATIONS
Smart Cocktail Machine | posted at gadgets.ndtv.com, posted on
Aug. 27, 2015, © 2018[site visited Jul. 27, 2018]. Available from

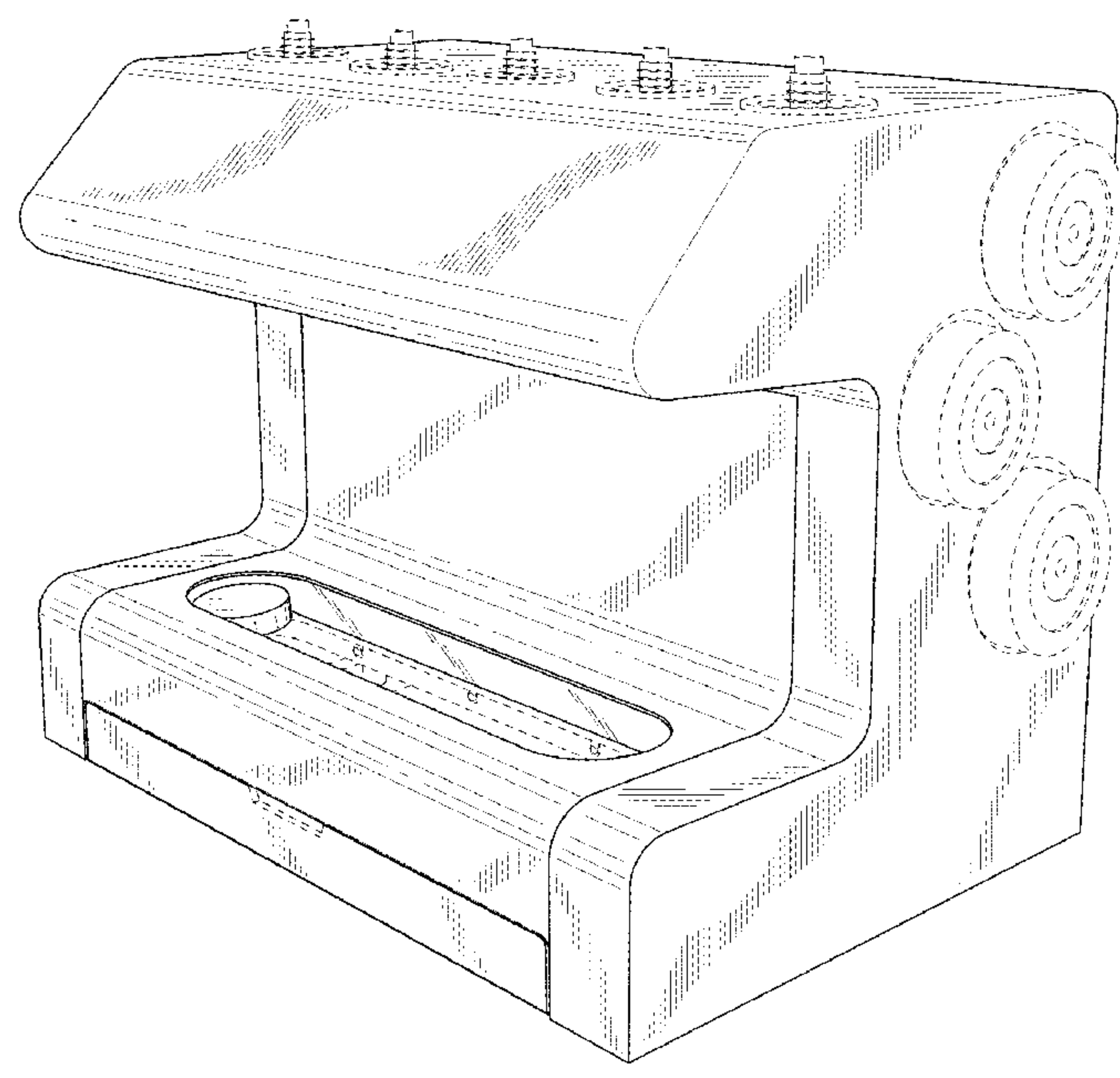
Internet, <URL:https://gadgets.ndtv.com/others/features/meet-barsys-a-smart-cocktail-machine-thats-made-in-india-732836> (Year: 2016).*

* cited by examiner
Primary Examiner — Derrick E Holland
Assistant Examiner — Andrew Kerr
(74) *Attorney, Agent, or Firm* — Wolf, Greenfield & Sacks, P.C.

(57) **CLAIM**
The ornamental design for a beverage mixer dispenser, as shown and described.

DESCRIPTION
FIG. 1 is a top, front, right side perspective view of a beverage mixer dispenser showing my new design; FIG. 2 is a front elevation view of FIG. 1; FIG. 3 is a rear elevation view of FIG. 1; FIG. 4 is a left side elevation view of FIG. 1; FIG. 5 is a right side elevation view of FIG. 1; FIG. 6 is a top plan view of FIG. 1; FIG. 7 is a bottom plan view of FIG. 1; FIG. 8 is a cross-section view taken along line 8-8 of FIG. 4; FIG. 9 is a cross-section view taken along line 9-9 of FIG. 5; and, FIG. 10 is a top, front, left side perspective view of a beverage mixer dispenser, in use condition. The dash-dash (- - -) broken lines showing portions of the beverage mixer dispenser are for the purpose of illustrating environment structure only and forms no part of the claimed design. The short dash-long dash (— - —) broken lines represent boundaries of the claimed design and form no part of the claimed design.

1 Claim, 9 Drawing Sheets



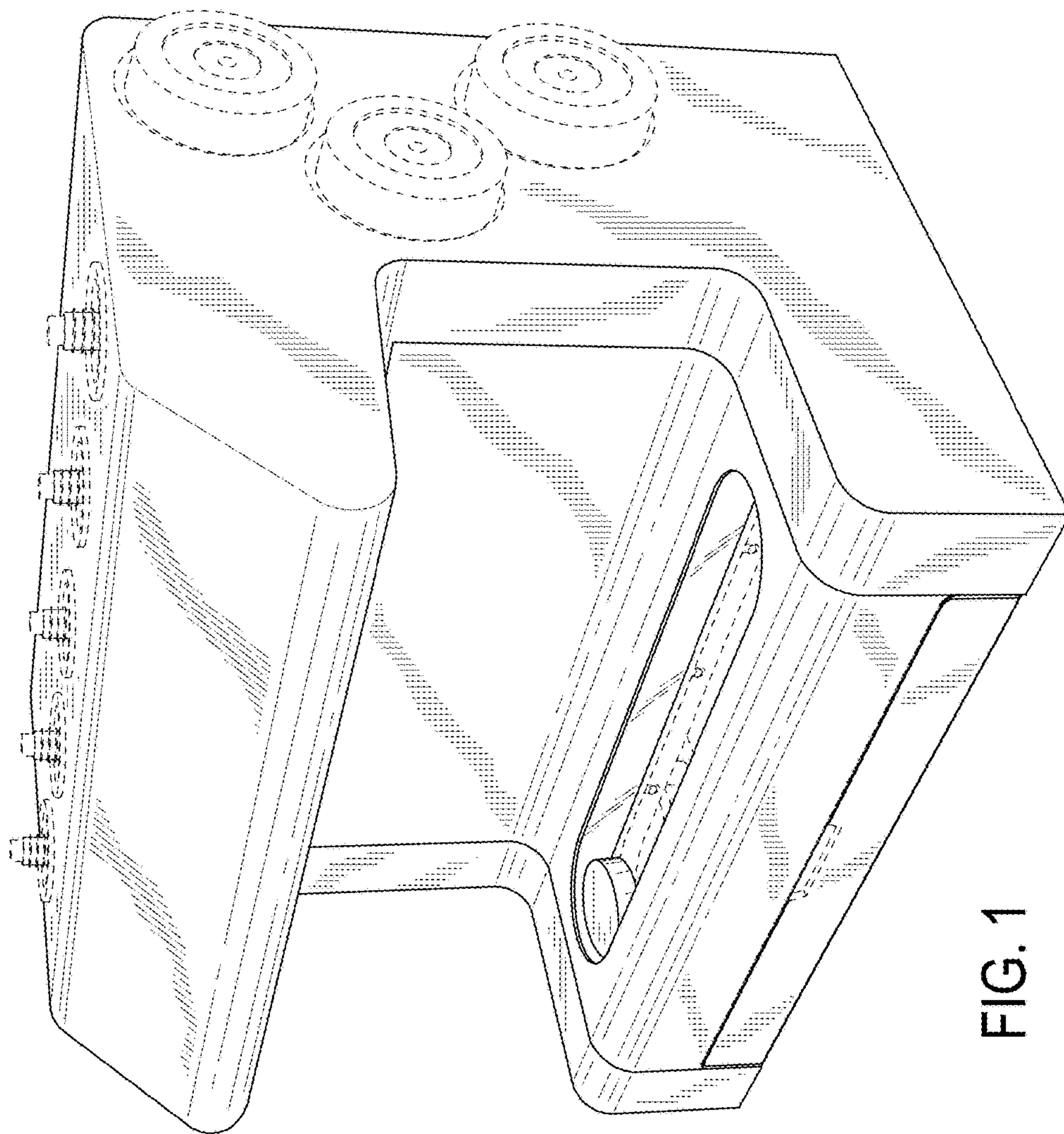


FIG. 1

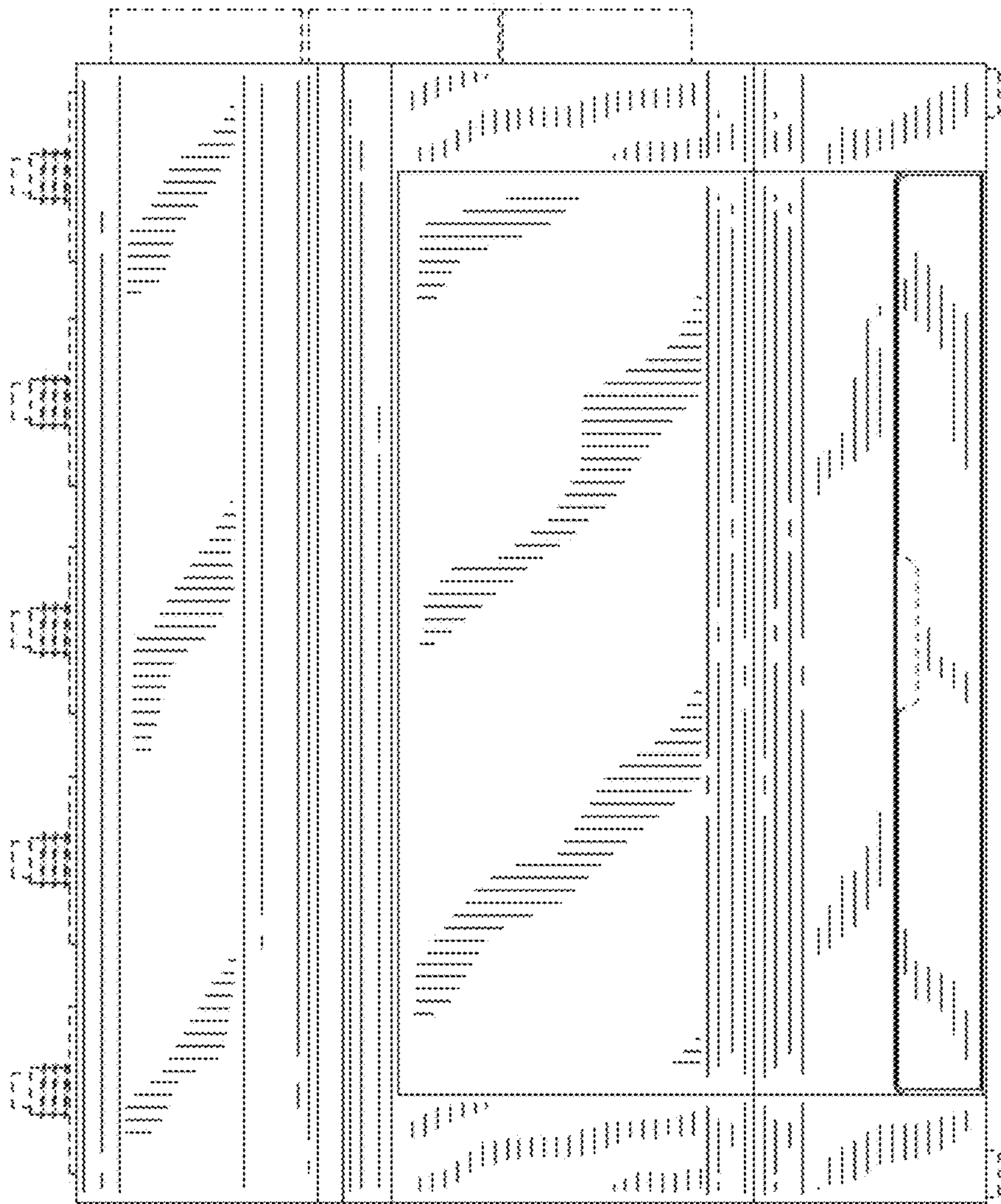


FIG. 2

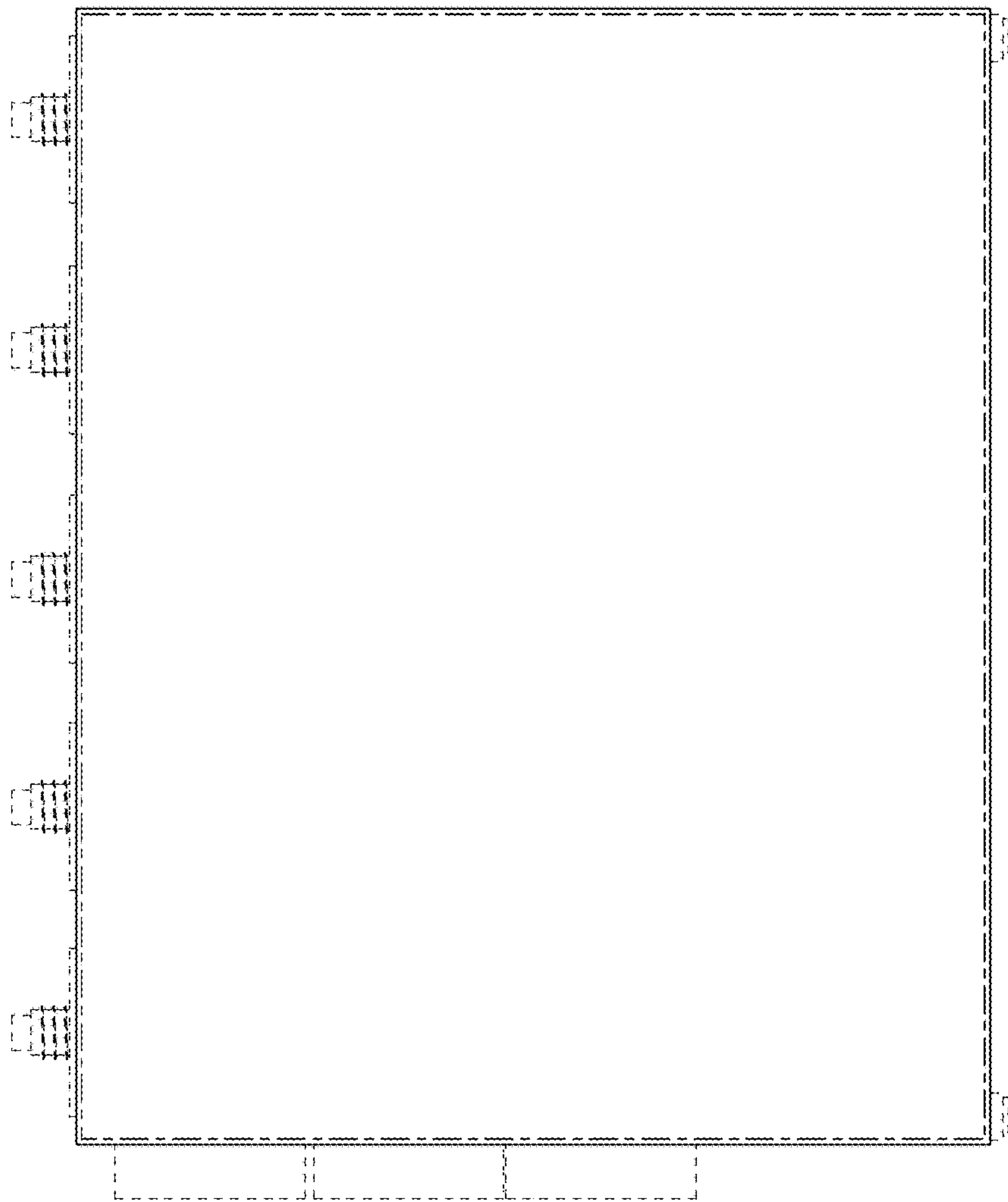


FIG. 3

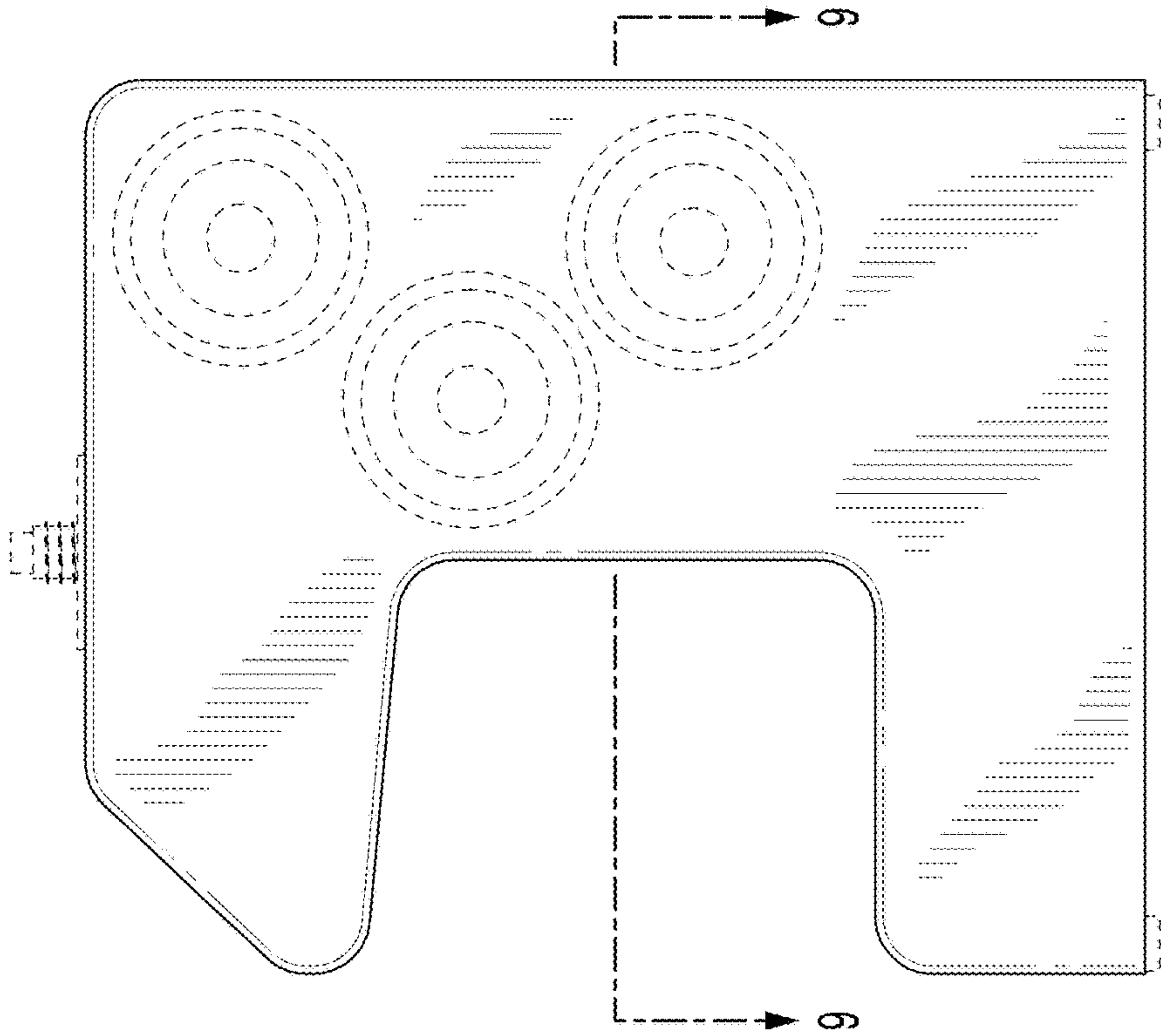


FIG. 4

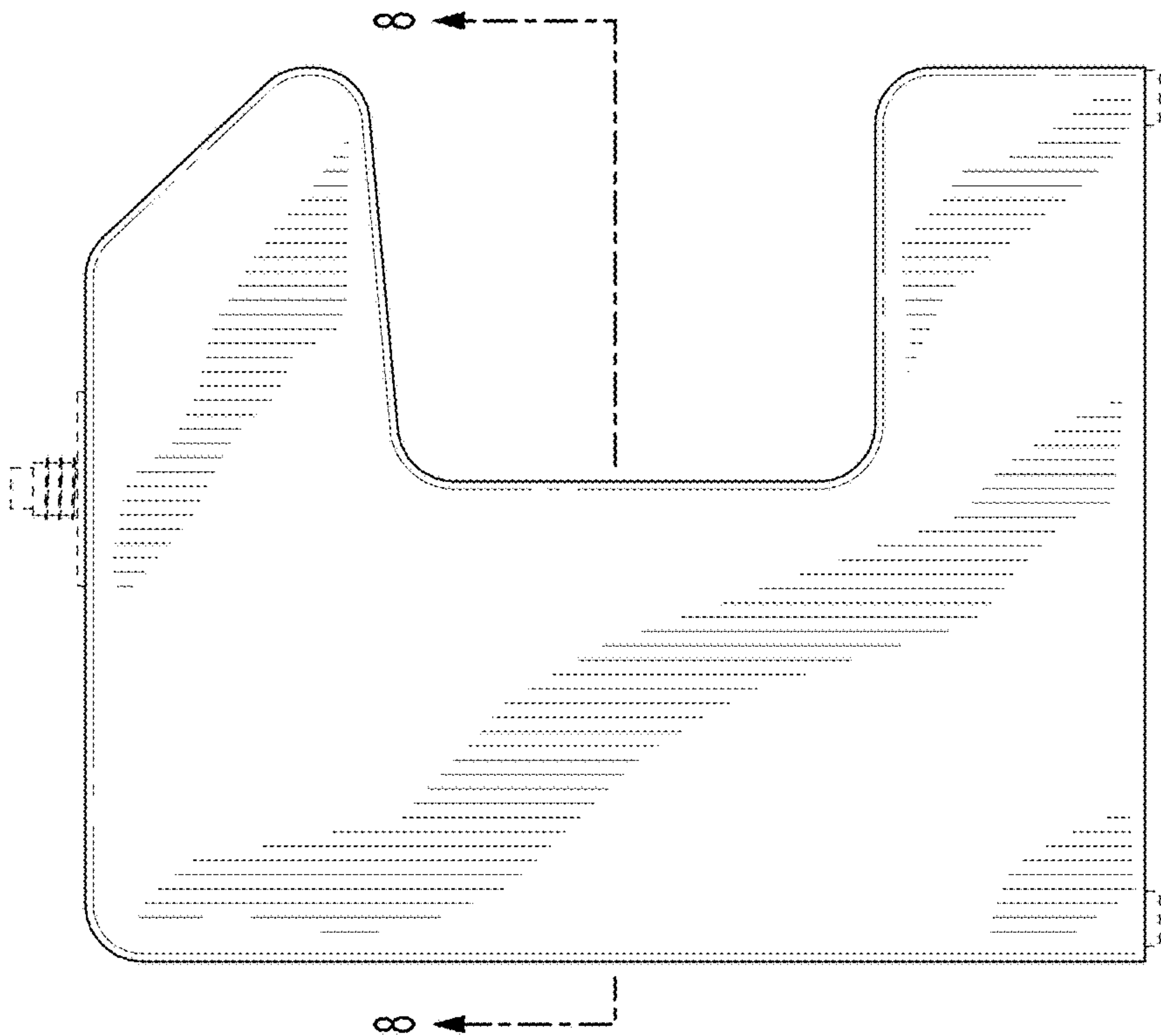


FIG. 5

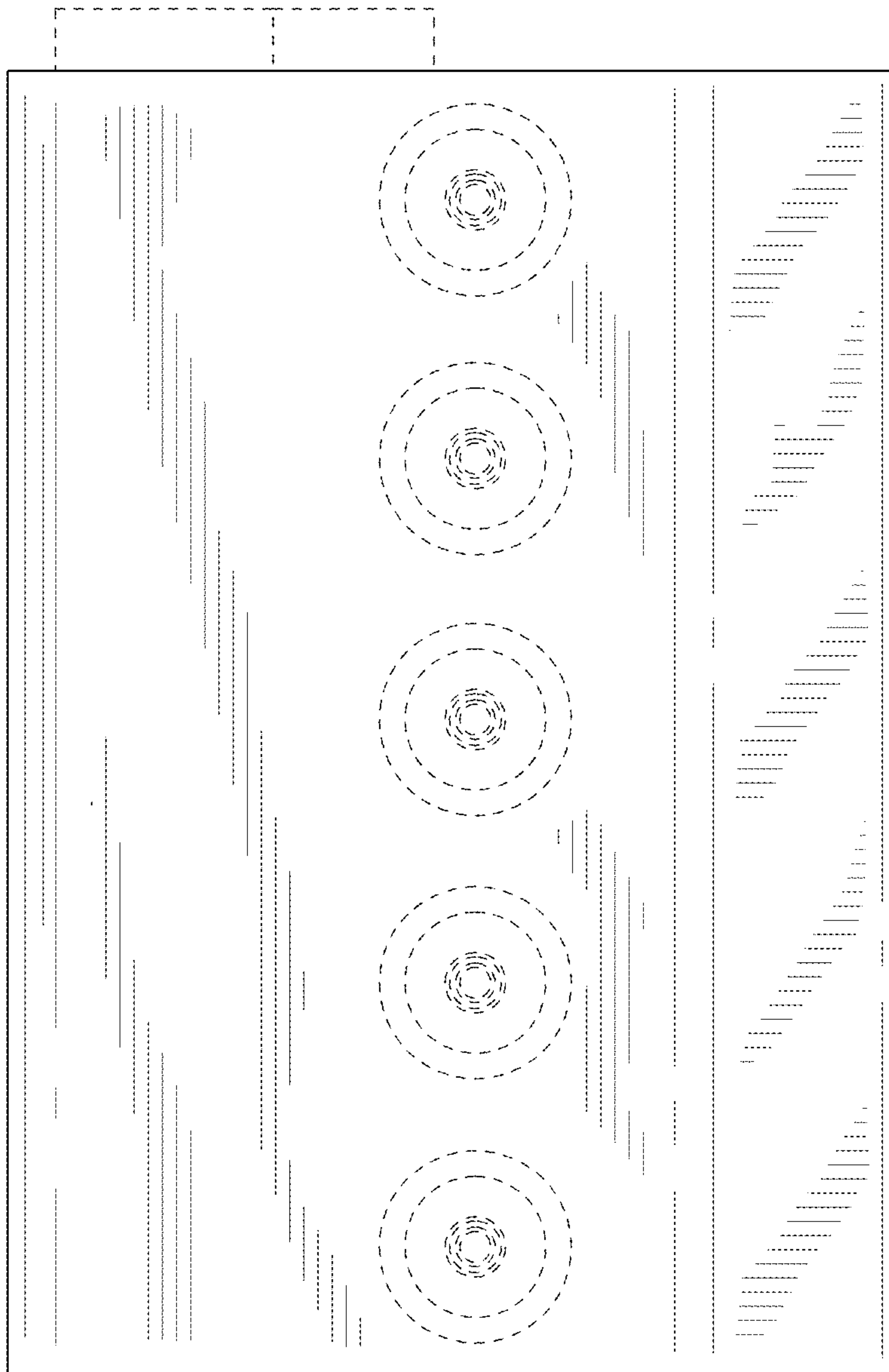


FIG. 6

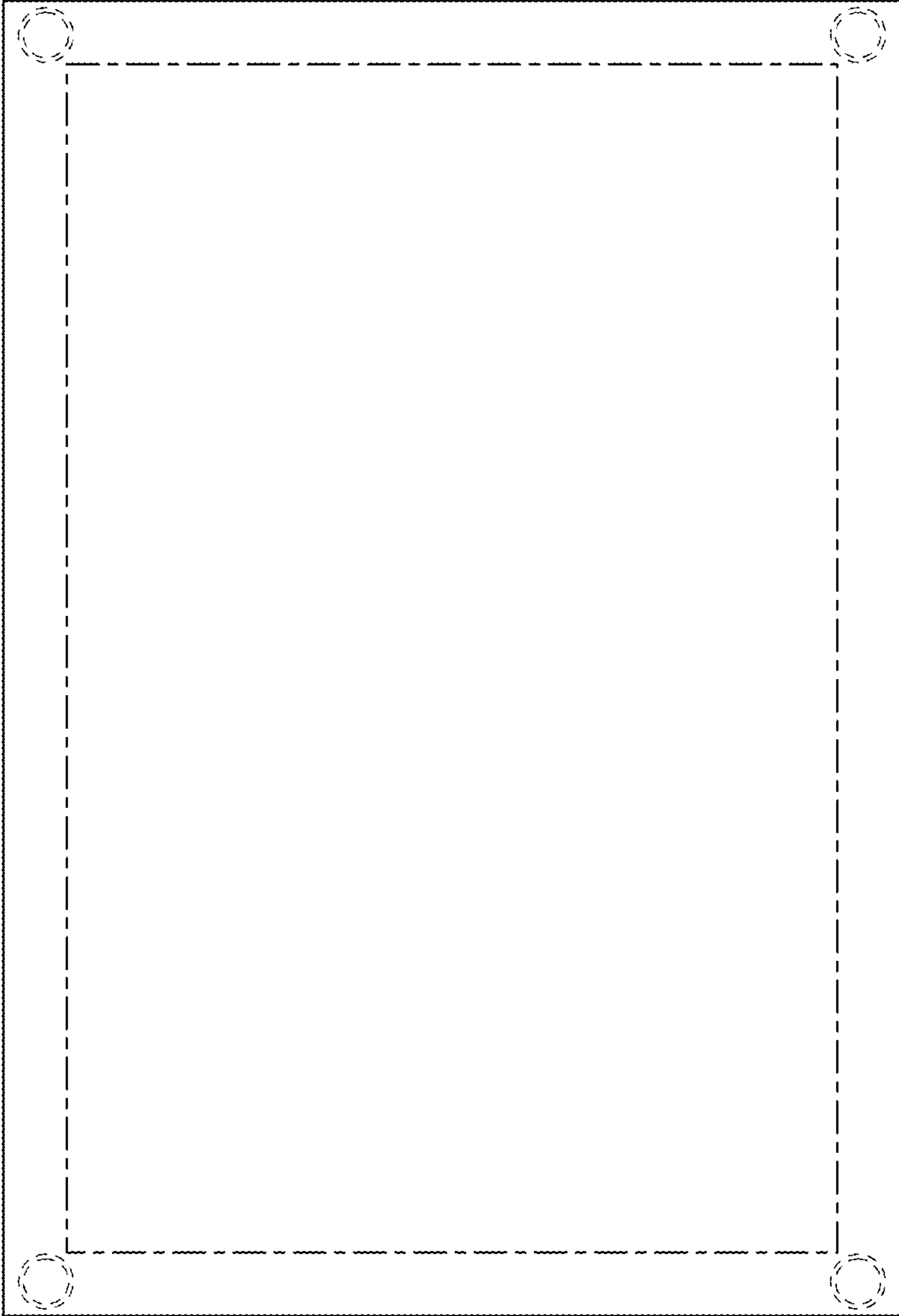


FIG. 7

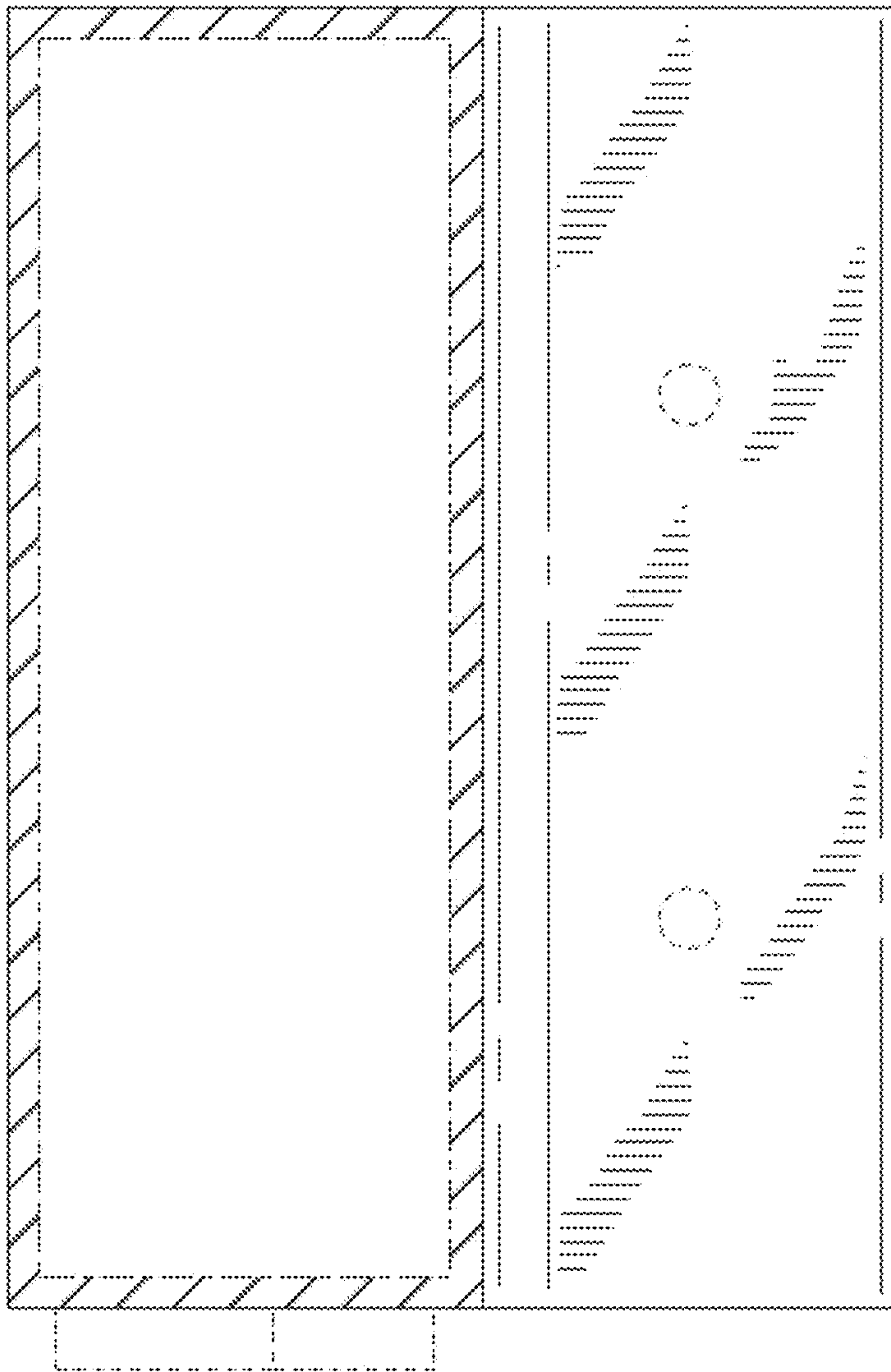


FIG. 8

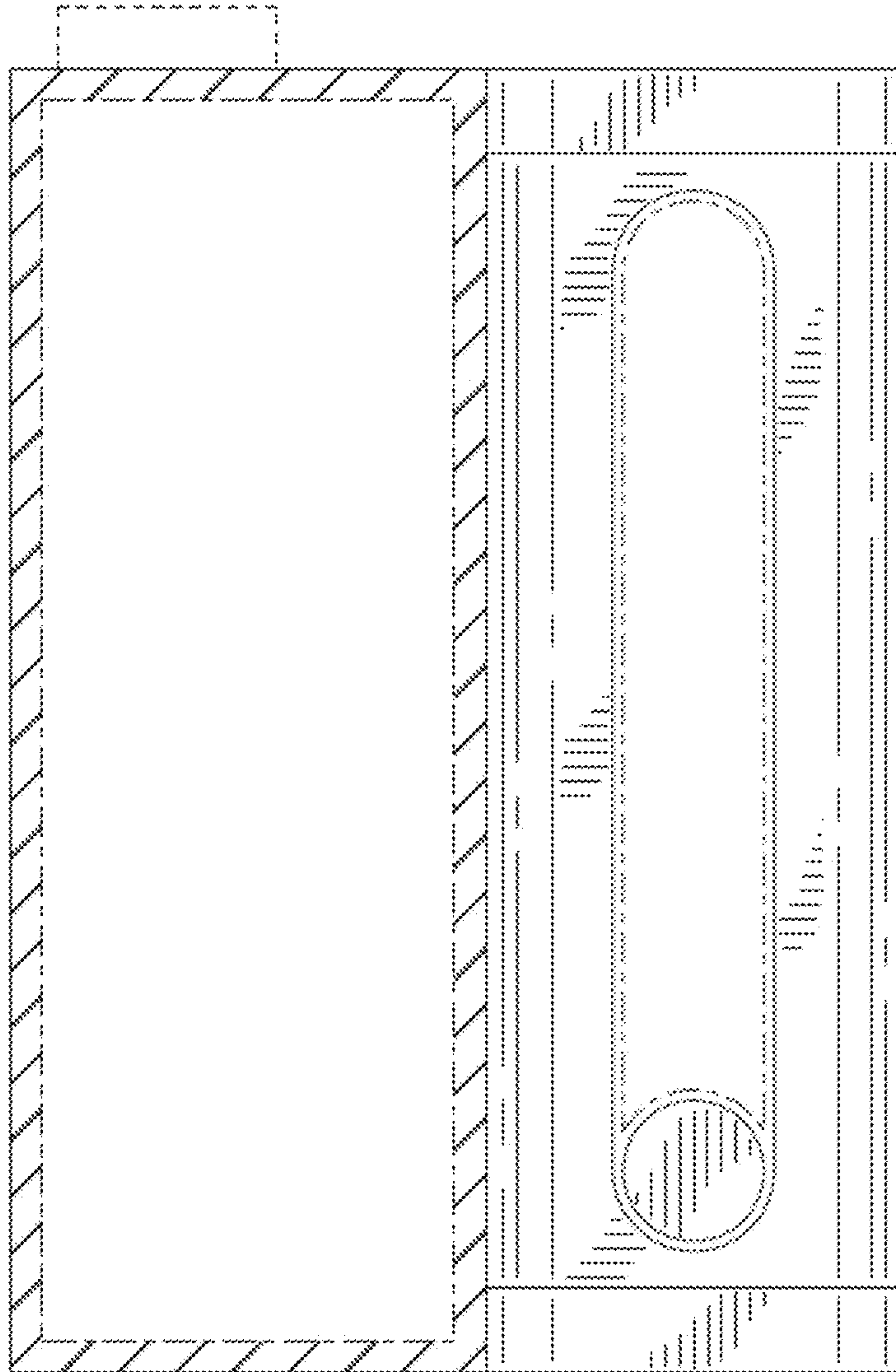


FIG. 9

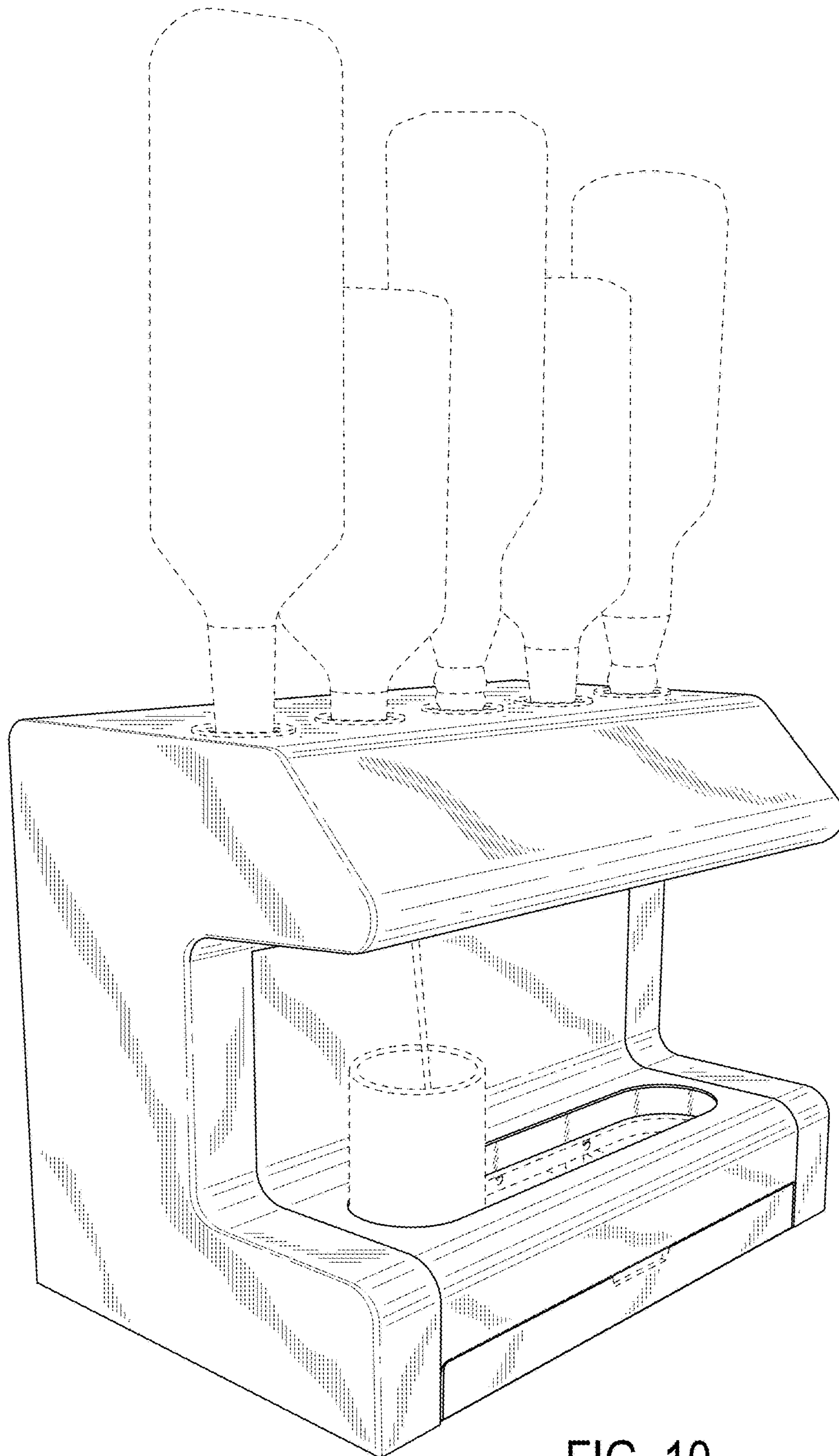


FIG. 10