



US00D846932S

(12) **United States Design Patent** (10) **Patent No.:** **US D846,932 S**
Lampela et al. (45) **Date of Patent:** **** Apr. 30, 2019**

(54) **CHAIR**

(71) Applicant: **Office Depot, Inc.**, Boca Raton, FL (US)

(72) Inventors: **Johannes Lampela**, Woodland Hills, CA (US); **Andre de Salis**, Pasadena, CA (US); **Tim Chuang**, Encino, CA (US); **Jirawat Jeanvigite**, Los Angeles, CA (US); **Alexandra McGill**, Los Angeles, CA (US); **Mike Trump**, Los Angeles, CA (US); **Ross Carmichael**, Everett, WA (US); **Ahmed Youssef**, Newbury Park, CA (US)

(73) Assignee: **Office Depot, Inc.**, Boca Raton, FL (US)

(**) Term: **15 Years**

(21) Appl. No.: **29/627,136**

(22) Filed: **Nov. 22, 2017**

(51) **LOC (11) Cl.** **06-01**

(52) **U.S. Cl.**
USPC **D6/716.4; D6/376; D6/380**

(58) **Field of Classification Search**
USPC **D6/334-336, 366, 371, 372, 373, 374, D6/375, 716, 716.1, 716.4**

(Continued)

(56) **References Cited**

U.S. PATENT DOCUMENTS

3,230,011 A * 1/1966 Propst A47C 4/02
297/440.11
3,669,496 A * 6/1972 Chisholm A47C 5/12
297/448.1

(Continued)

Primary Examiner — Mimosa De

(74) *Attorney, Agent, or Firm* — Greenberg Traurig, LLP

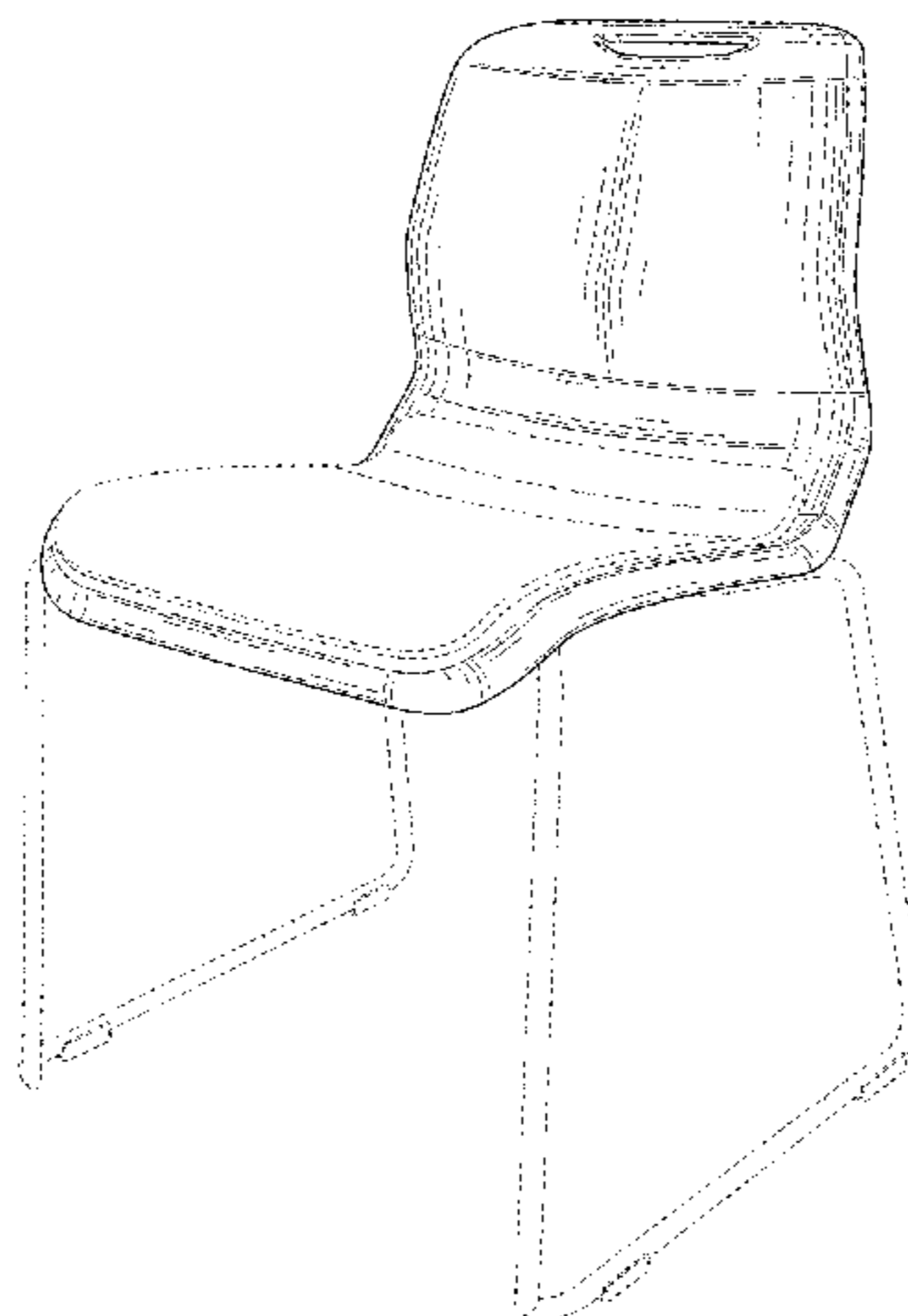
(57) **CLAIM**

The ornamental design for a chair, as shown and described.

DESCRIPTION

FIG. 1 is a front right perspective view of a chair showing a first embodiment of our new design;
FIG. 2 is a front view of the first embodiment of the chair shown in FIG. 1;
FIG. 3 is a rear view of the first embodiment of the chair shown in FIG. 1;
FIG. 4 is a left side view of the first embodiment of the chair shown in FIG. 1;
FIG. 5 is a right side view of the first embodiment of the chair shown in FIG. 1;
FIG. 6 is a top view of the first embodiment of the chair shown in FIG. 1;
FIG. 7 is a bottom plan view of the first embodiment of the chair shown in FIG. 1;
FIG. 8 is a rear bottom perspective plan view of the first embodiment of the chair shown in FIG. 1;
FIG. 9 is a front right perspective view of a chair showing a second embodiment of our new design;
FIG. 10 is a front view of the second embodiment of the chair shown in FIG. 9;
FIG. 11 is a rear view of the second embodiment of the chair shown in FIG. 9;
FIG. 12 is a left side view of the second embodiment of the chair shown in FIG. 9;
FIG. 13 is a right side view of the second embodiment of the chair shown in FIG. 9;
FIG. 14 is a top view of the second embodiment of the chair shown in FIG. 9;
FIG. 15 is a bottom plan view of the second embodiment of the chair shown in FIG. 9; and,
FIG. 16 is a rear bottom perspective plan view of the second embodiment of the chair shown in FIG. 9.
The broken lines are included to show features that form no part of the claimed design.

1 Claim, 16 Drawing Sheets



(58) **Field of Classification Search**
 CPC A47C 3/04; A47C 3/12; A47C 4/02; A47C
 4/03; A47C 5/04; A47C 5/06; A47C 5/12;
 A47C 7/16
 See application file for complete search history.

(56) **References Cited**

U.S. PATENT DOCUMENTS

3,669,499 A * 6/1972 Semplonius A47C 3/12
 297/452.14
 D269,743 S * 7/1983 Muller-Deisig D6/366
 D270,313 S * 8/1983 Murry D6/373
 D272,781 S * 2/1984 Ochsner D6/373
 4,522,444 A * 6/1985 Pollock A47C 3/04
 297/239
 D286,106 S * 10/1986 Franck D6/372
 D292,655 S * 11/1987 Hendrick D6/366
 D301,662 S * 6/1989 Vonhausen D6/366

D301,663 S * 6/1989 Vonhausen D6/372
 4,856,846 A * 8/1989 Lohmeyer A47C 3/12
 297/285
 D308,605 S * 6/1990 Uecker D6/366
 D312,176 S * 11/1990 Heidmann D6/366
 D336,722 S * 6/1993 Fahnstrom D6/366
 D355,303 S * 2/1995 Scheper D6/366
 D411,395 S * 6/1999 Edwards D6/366
 D599,126 S * 9/2009 Chen D6/366
 D622,986 S * 9/2010 Kubryk D6/716
 D683,979 S * 6/2013 Miller D6/366
 D690,147 S * 9/2013 Meyer D6/375
 8,616,640 B2 * 12/2013 van Hekken A47C 3/04
 297/299
 8,657,374 B2 * 2/2014 Higgs A47C 3/04
 297/239
 D707,995 S * 7/2014 McEneany D6/716
 D718,949 S * 12/2014 Meda D6/366
 9,504,326 B1 * 11/2016 Cartis A47C 3/04

* cited by examiner

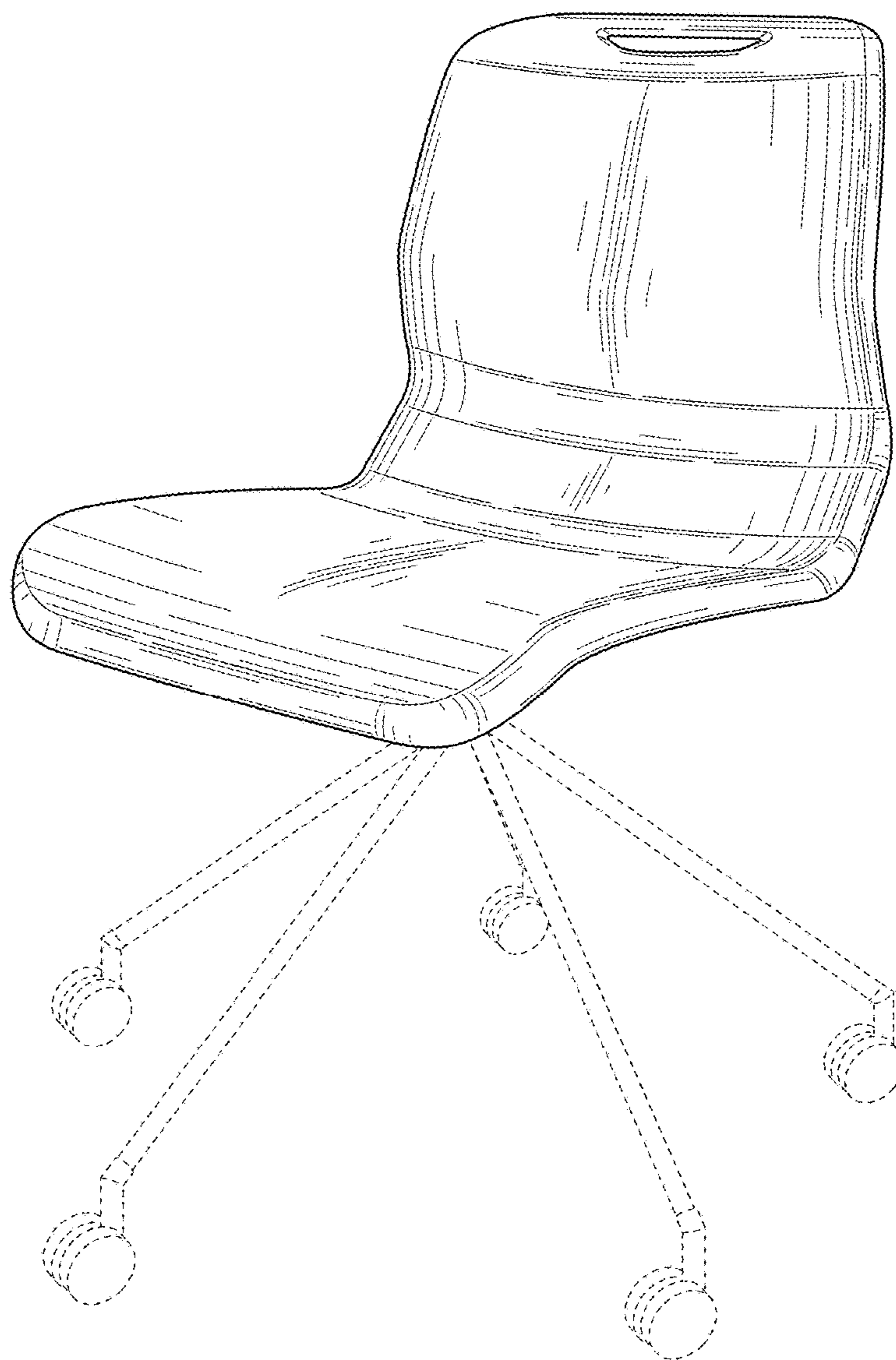


FIG. 1

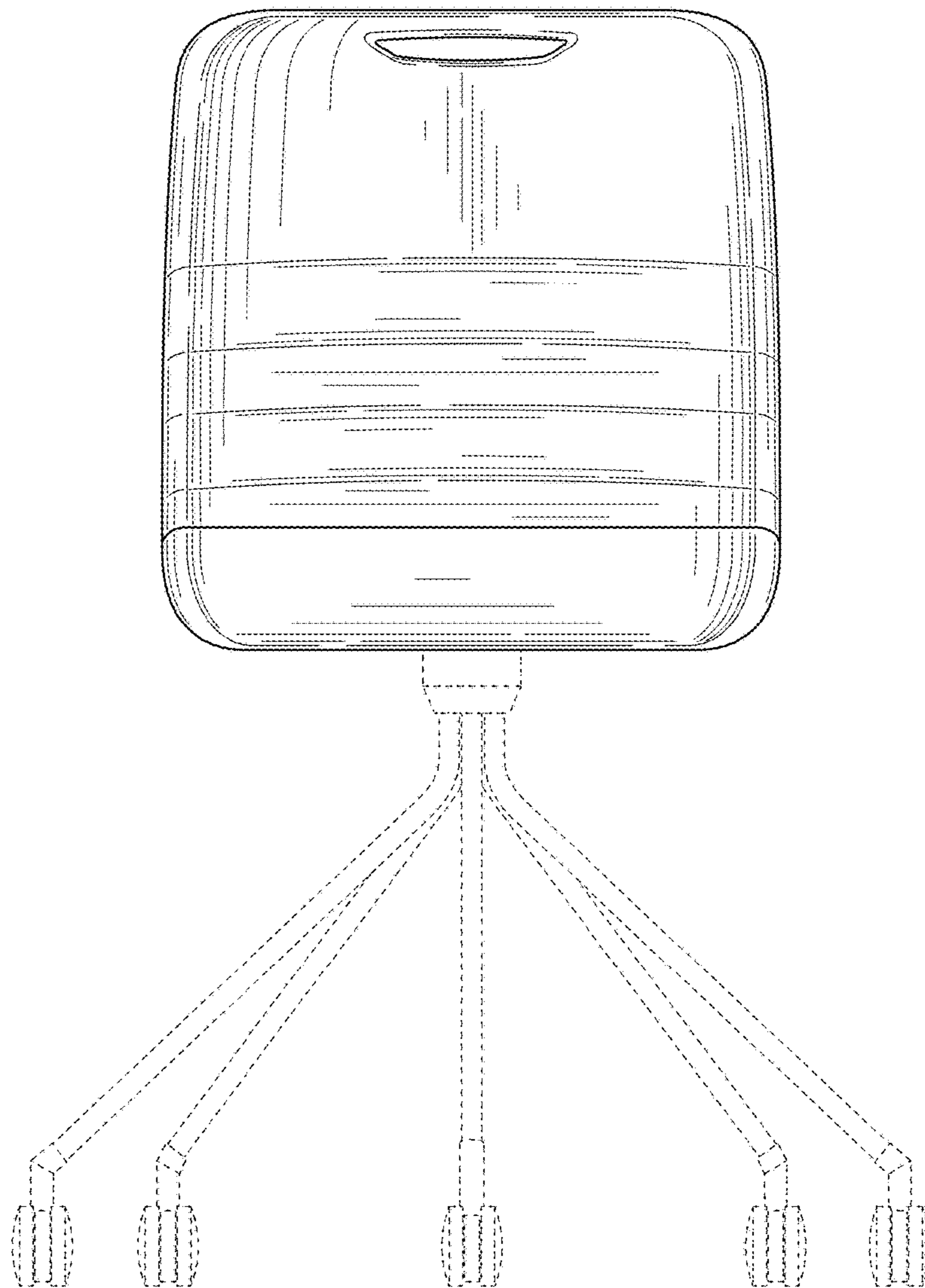


FIG. 2

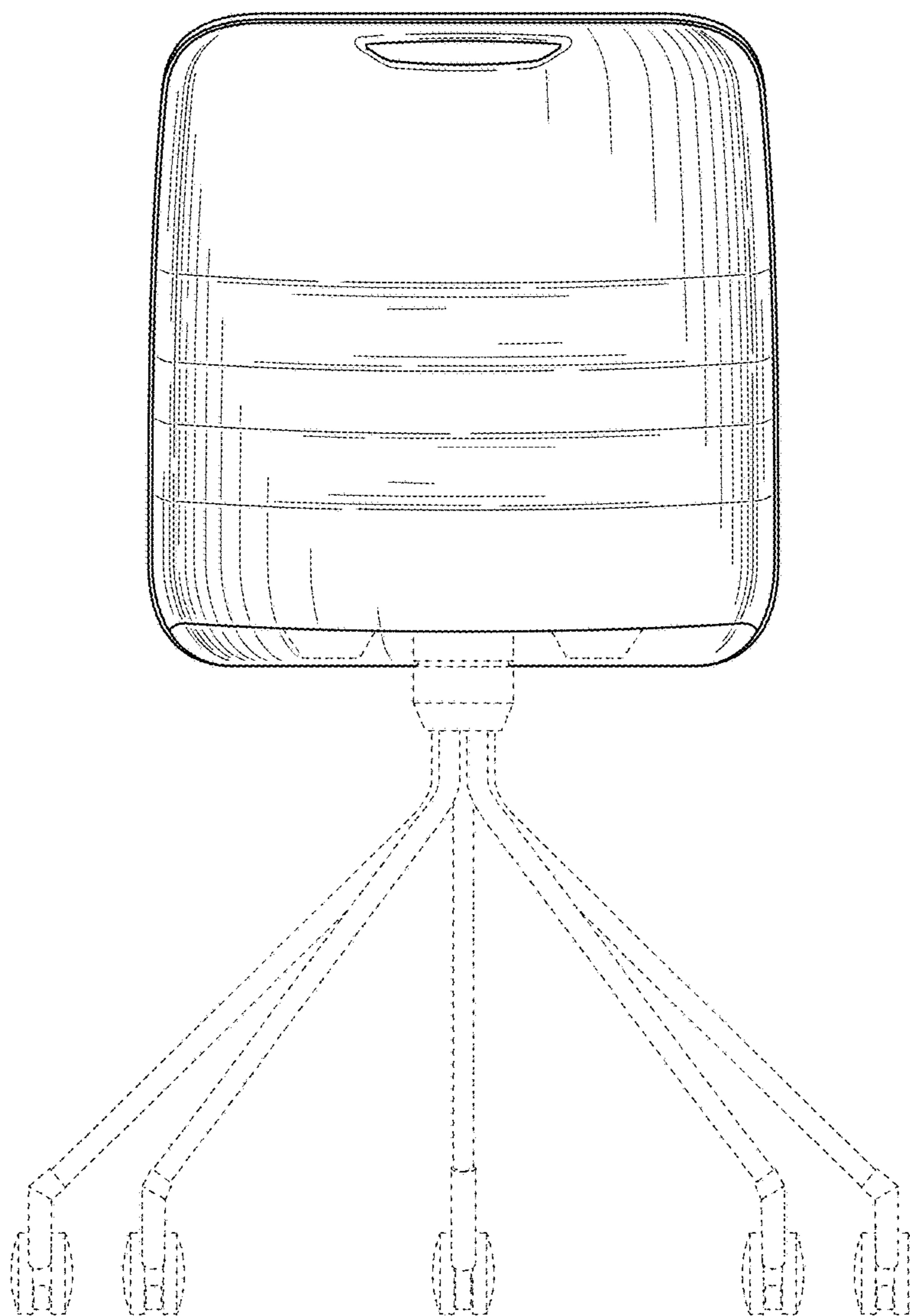


FIG. 3

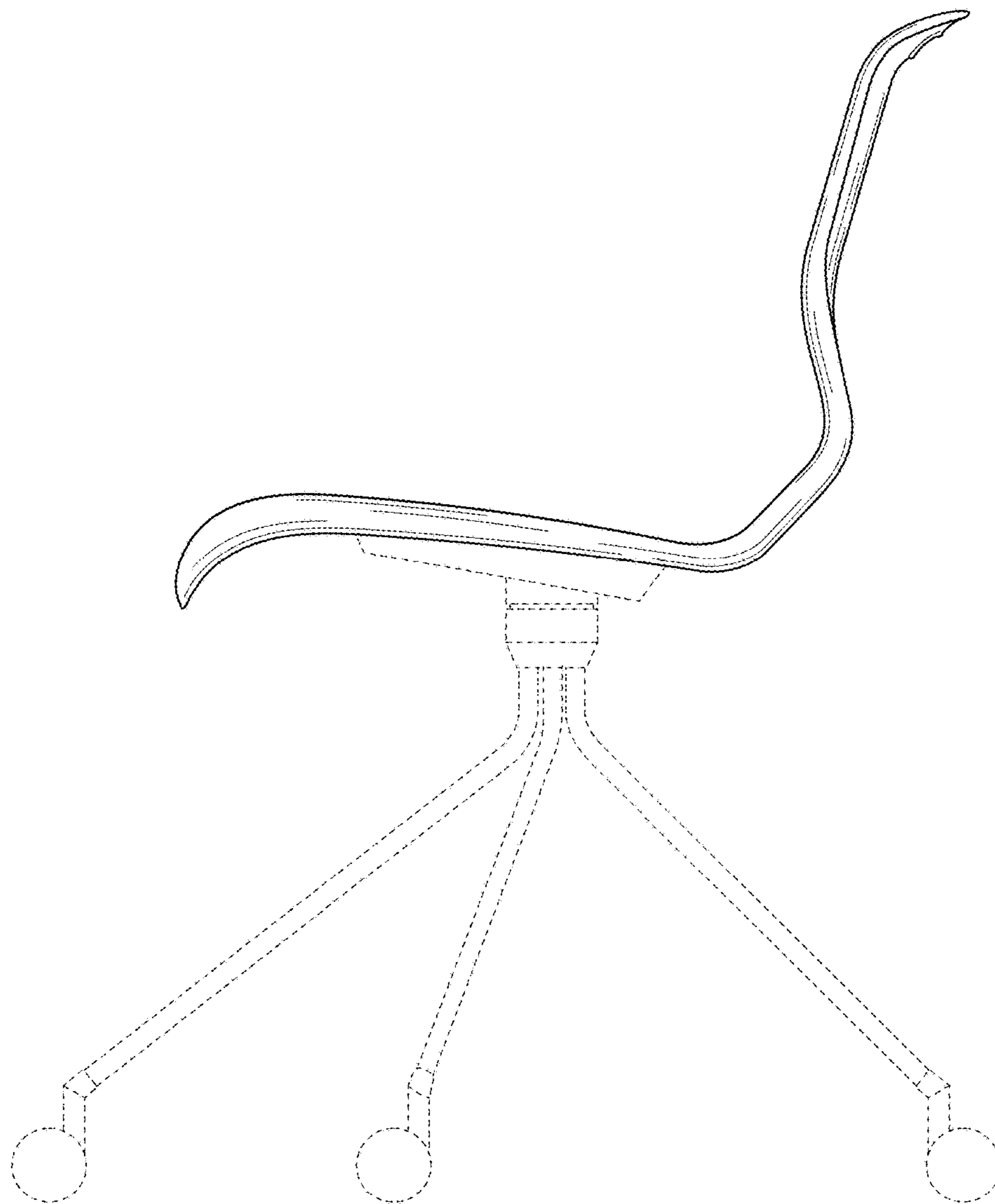


FIG. 4

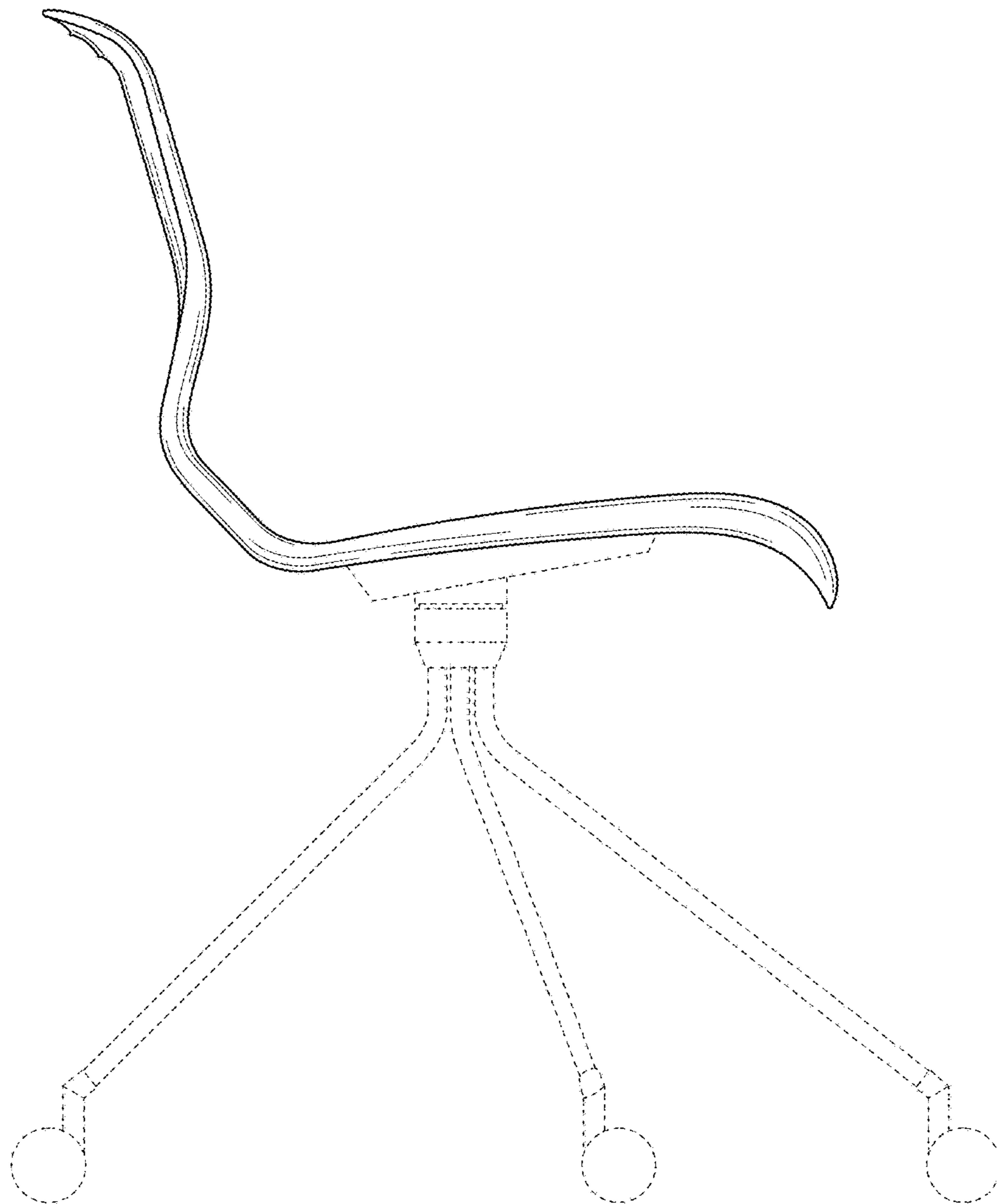


FIG. 5

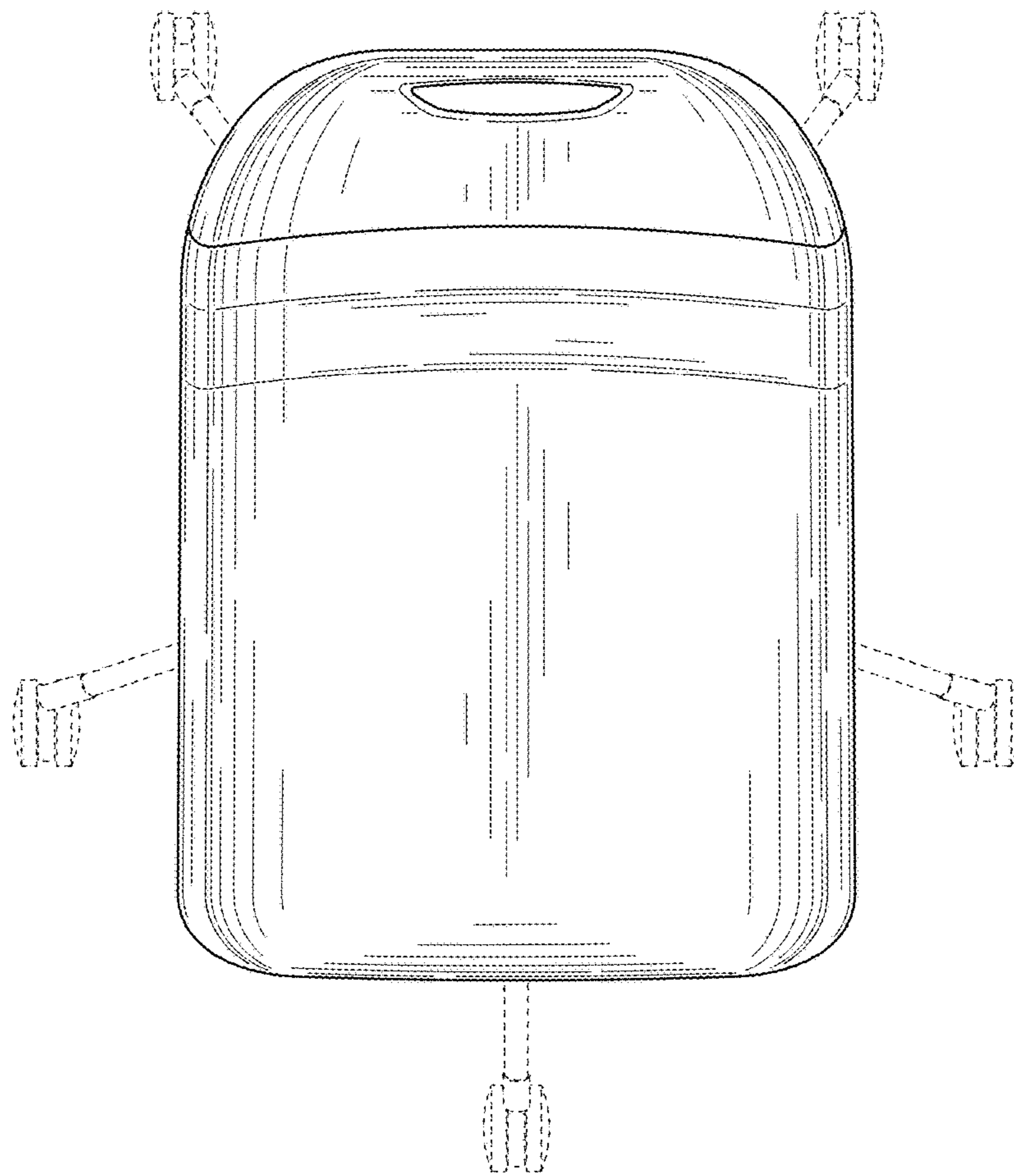


FIG. 6

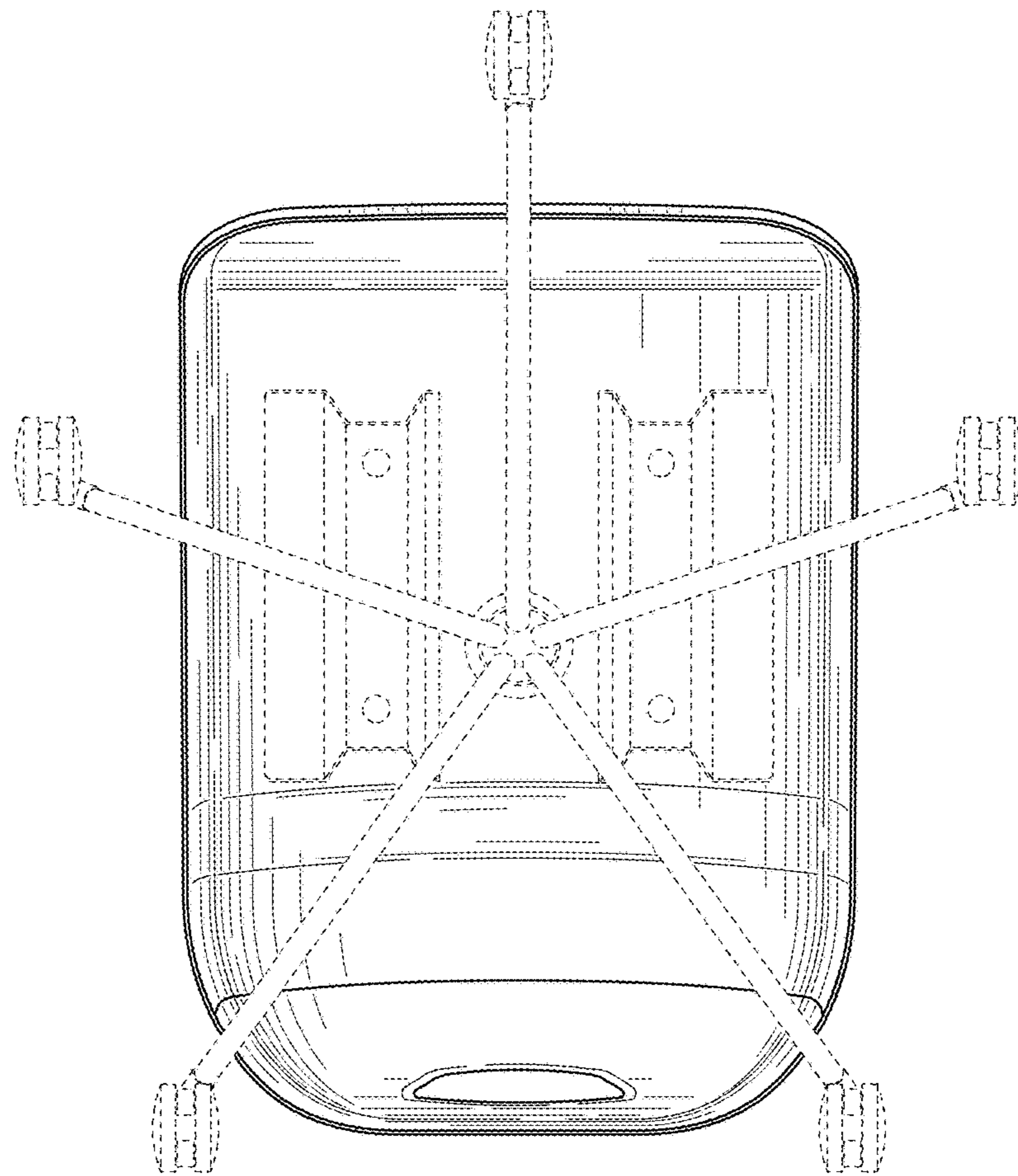


FIG. 7

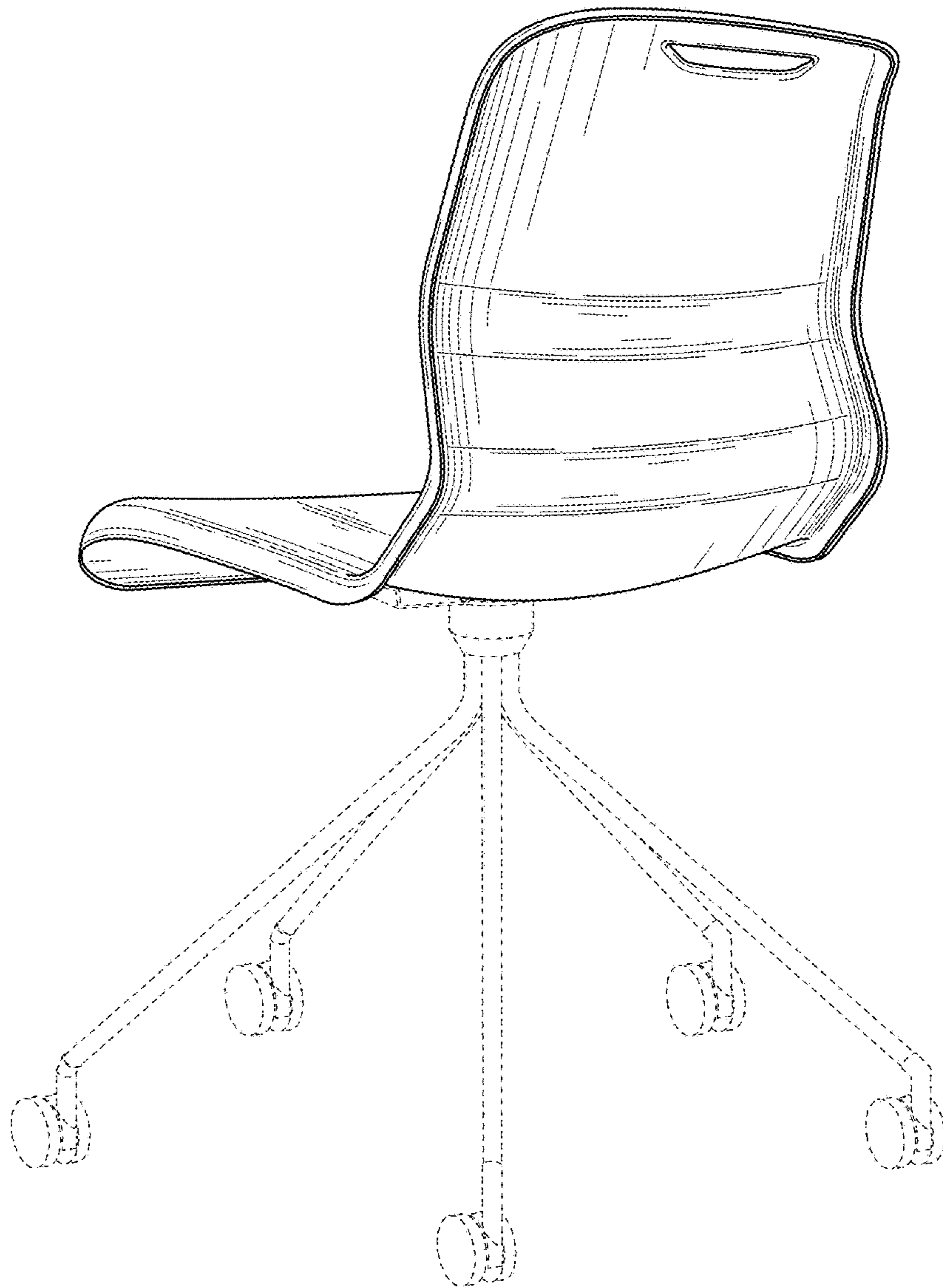


FIG. 8

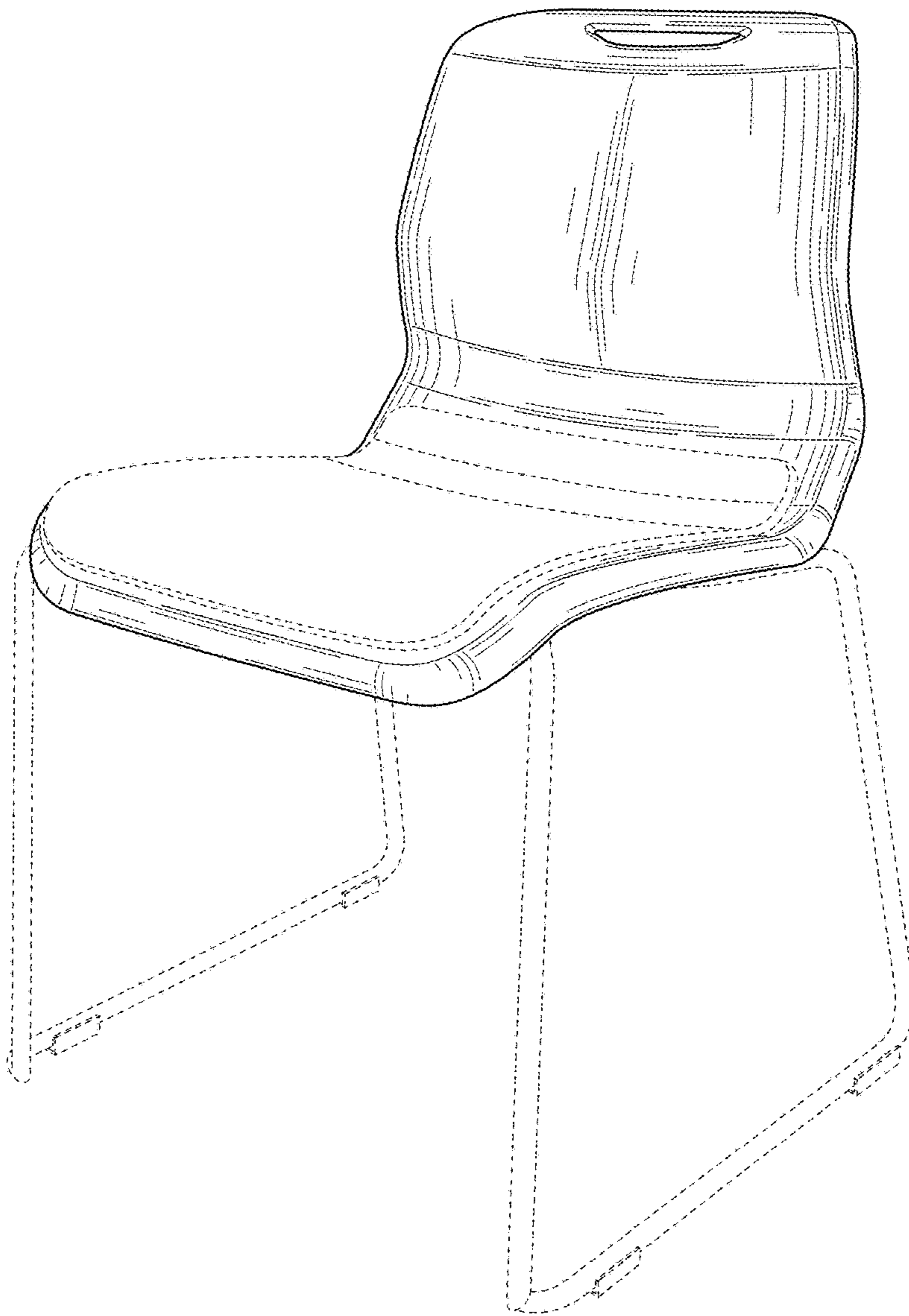


FIG. 9

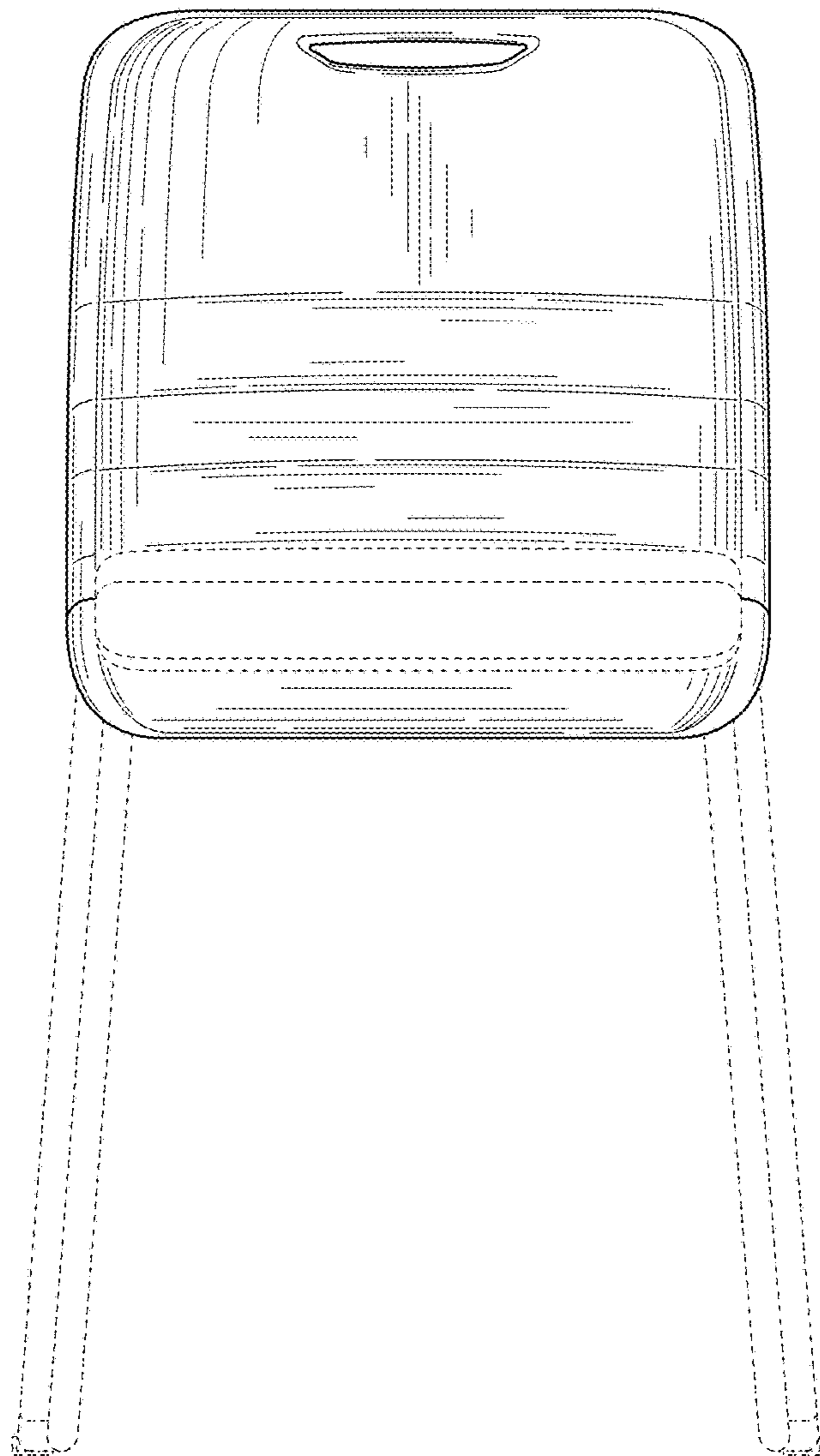


FIG. 10

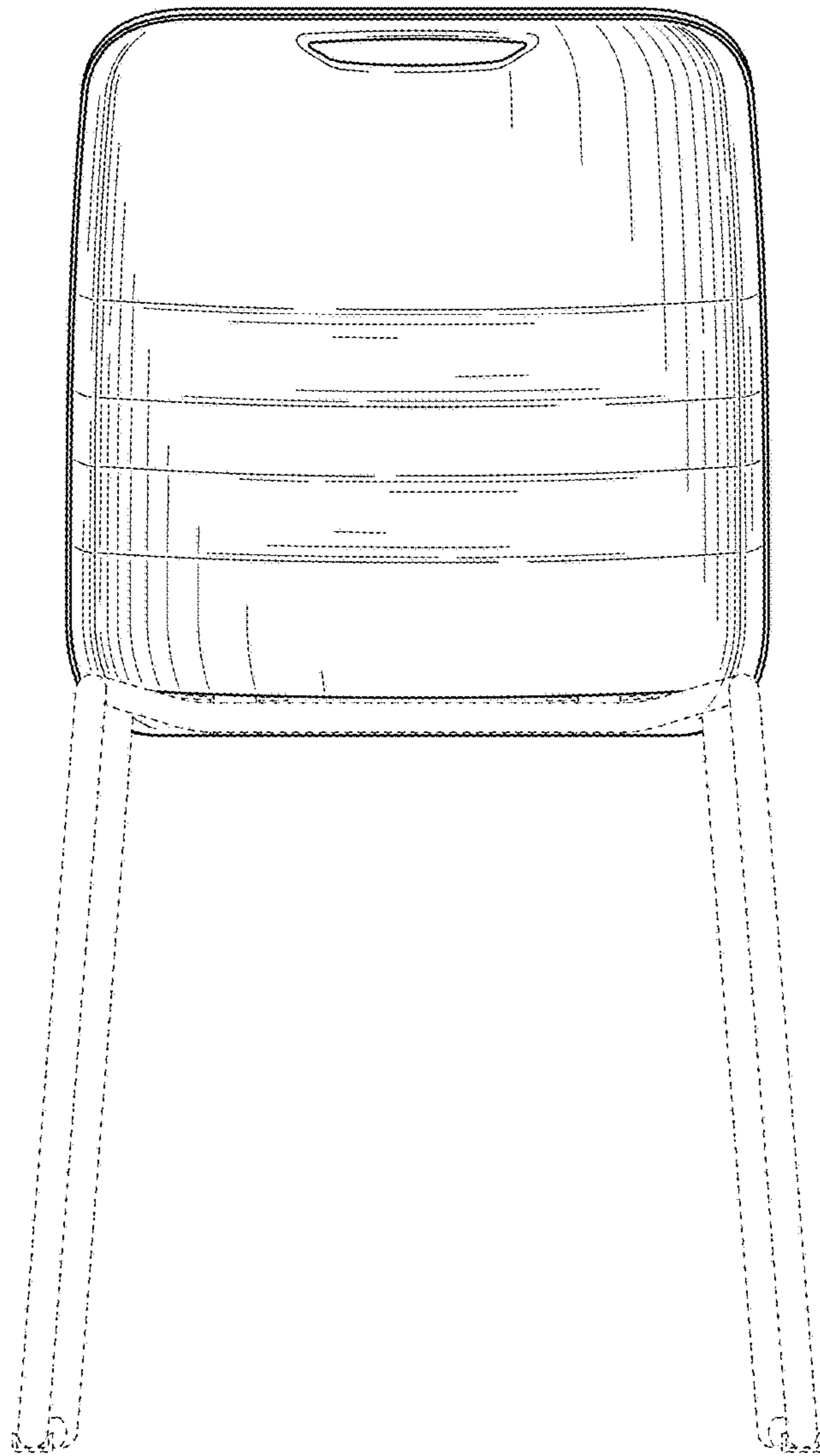


FIG. 11

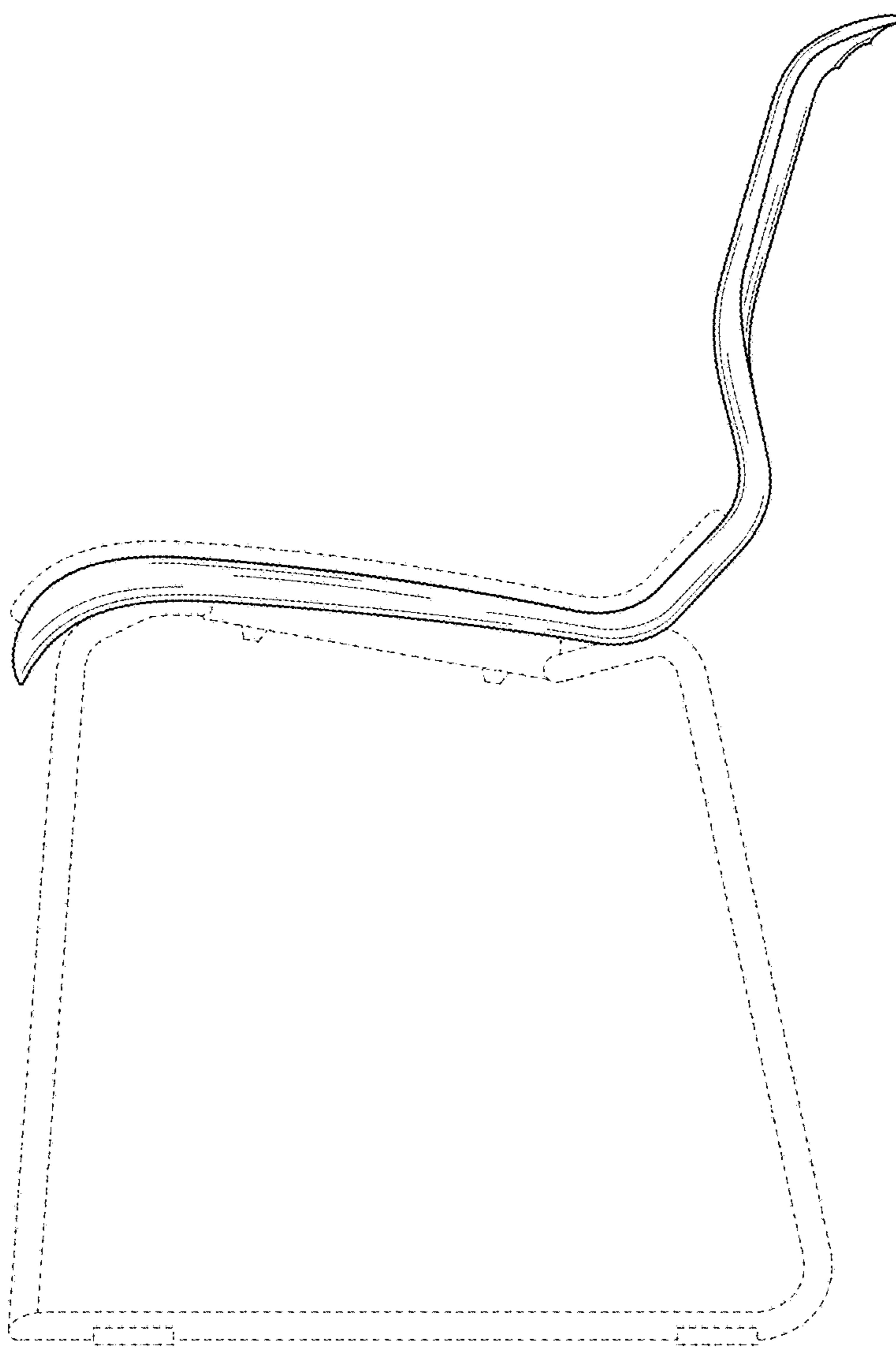


FIG. 12

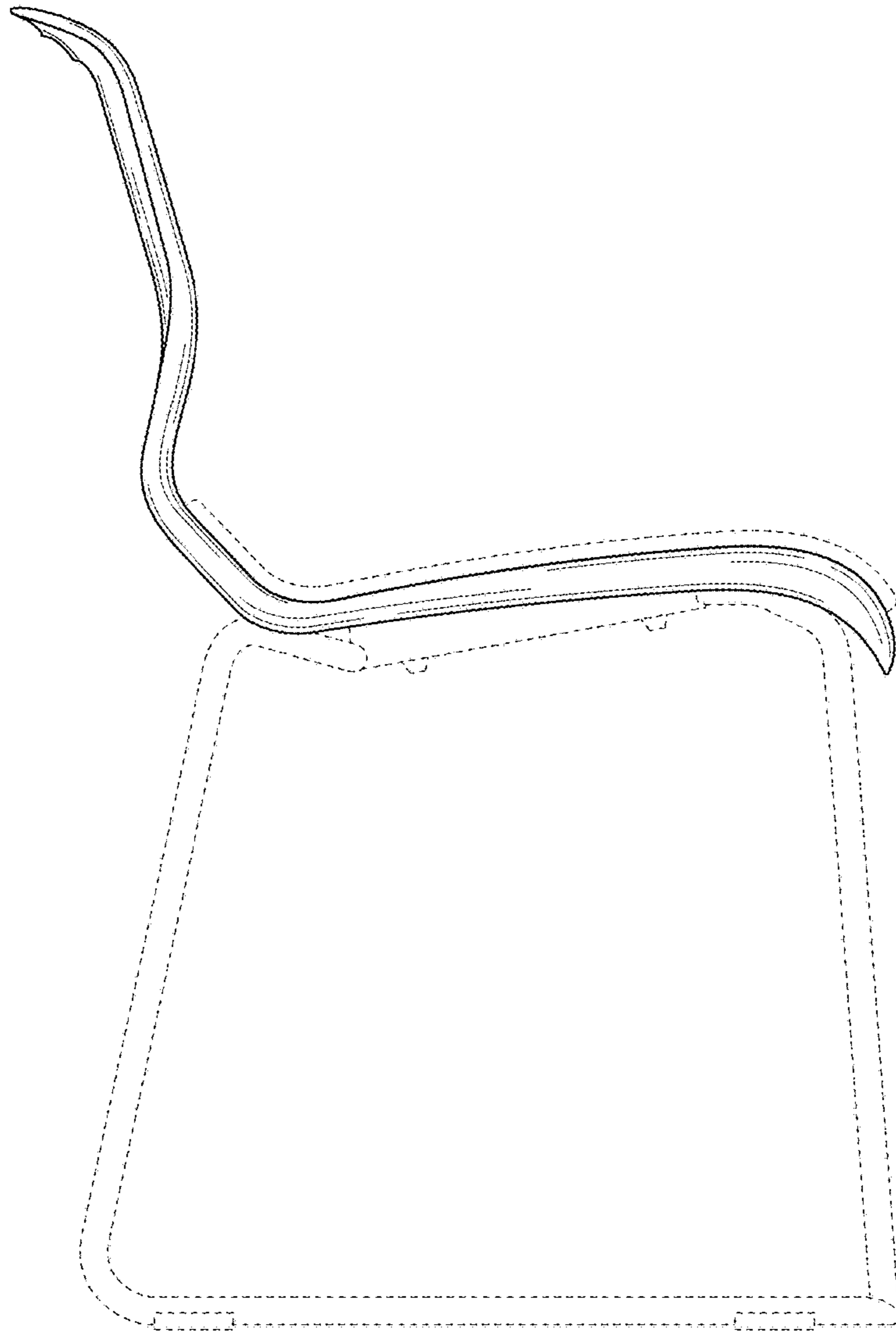


FIG. 13

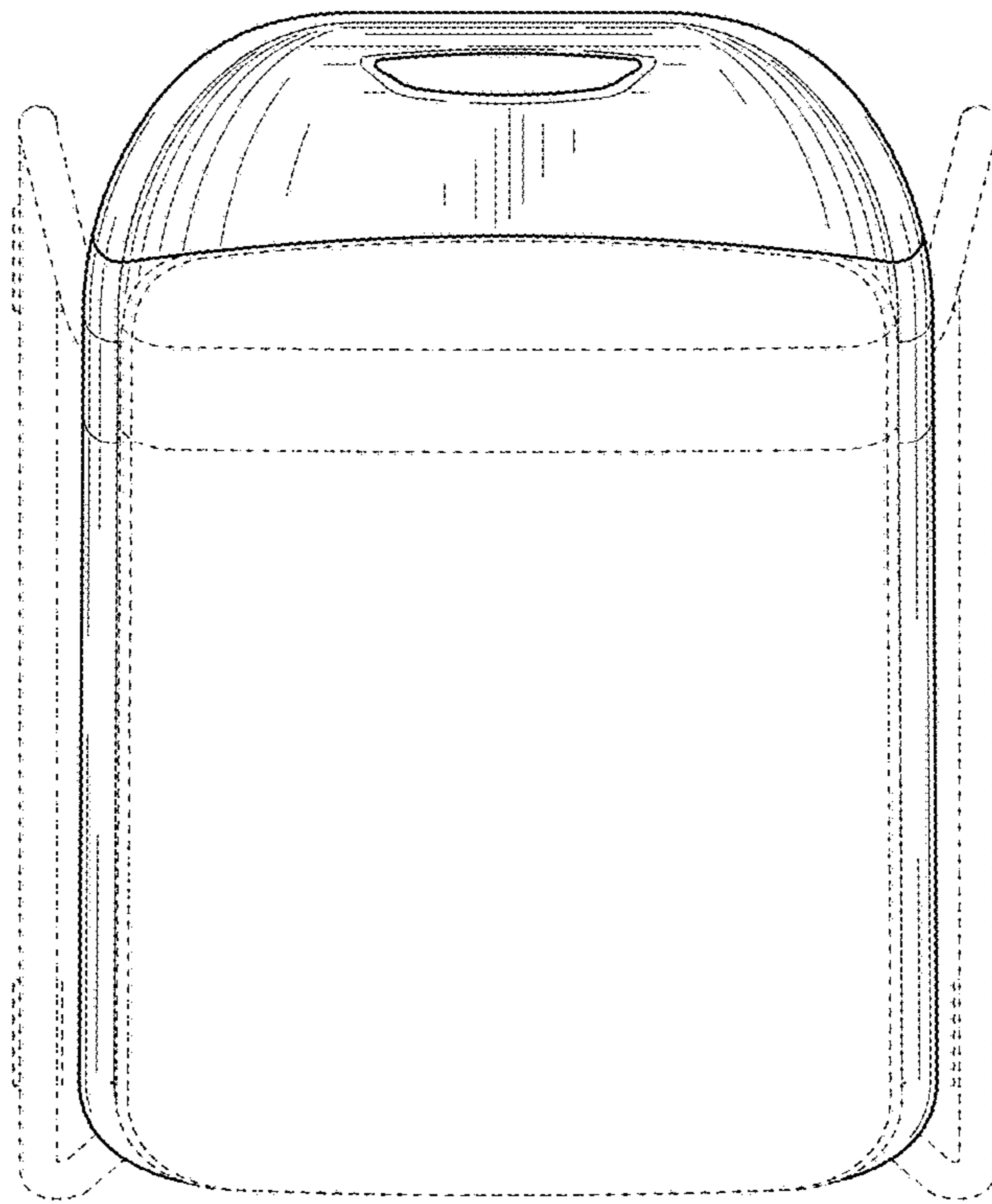


FIG. 14

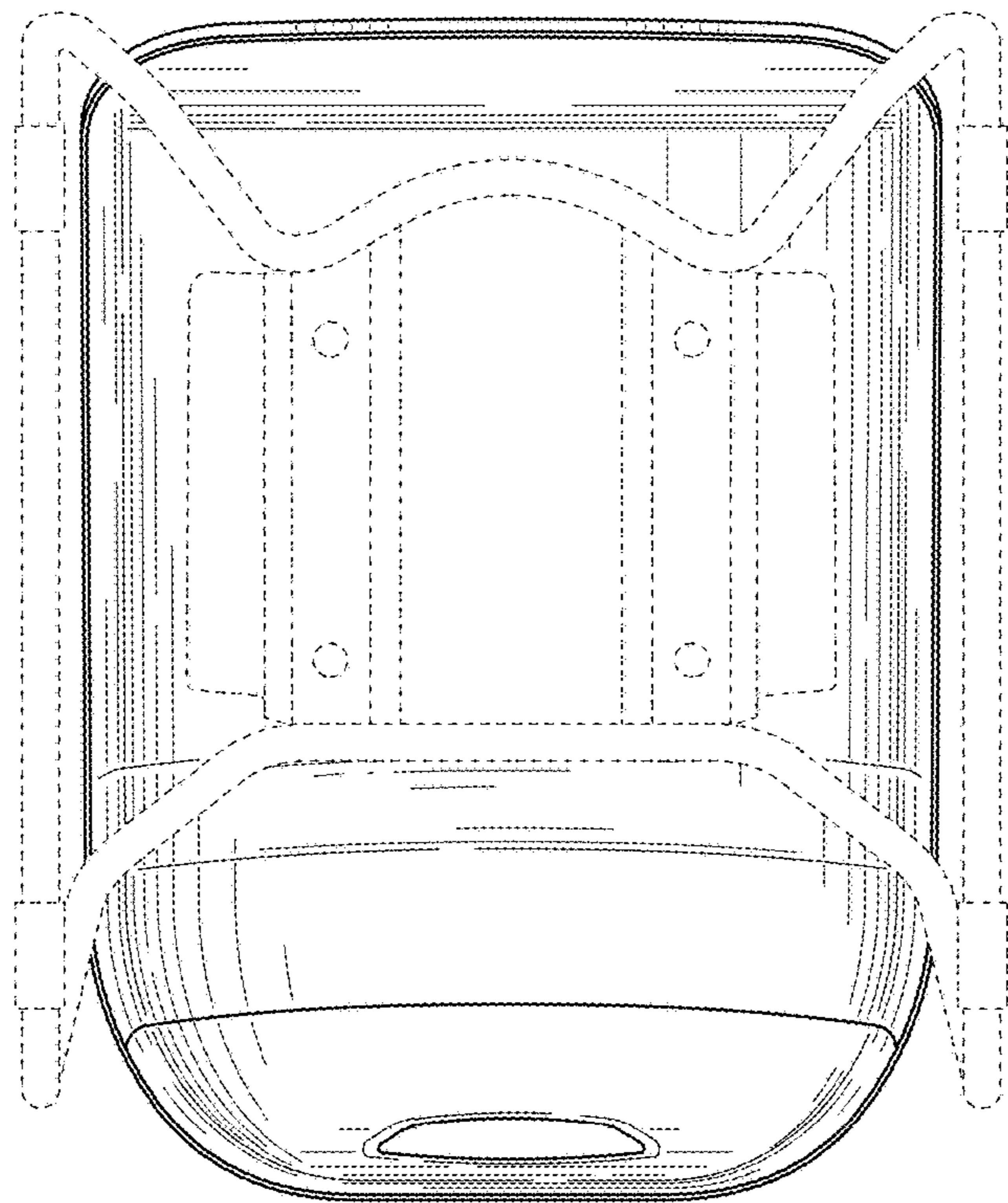


FIG. 15

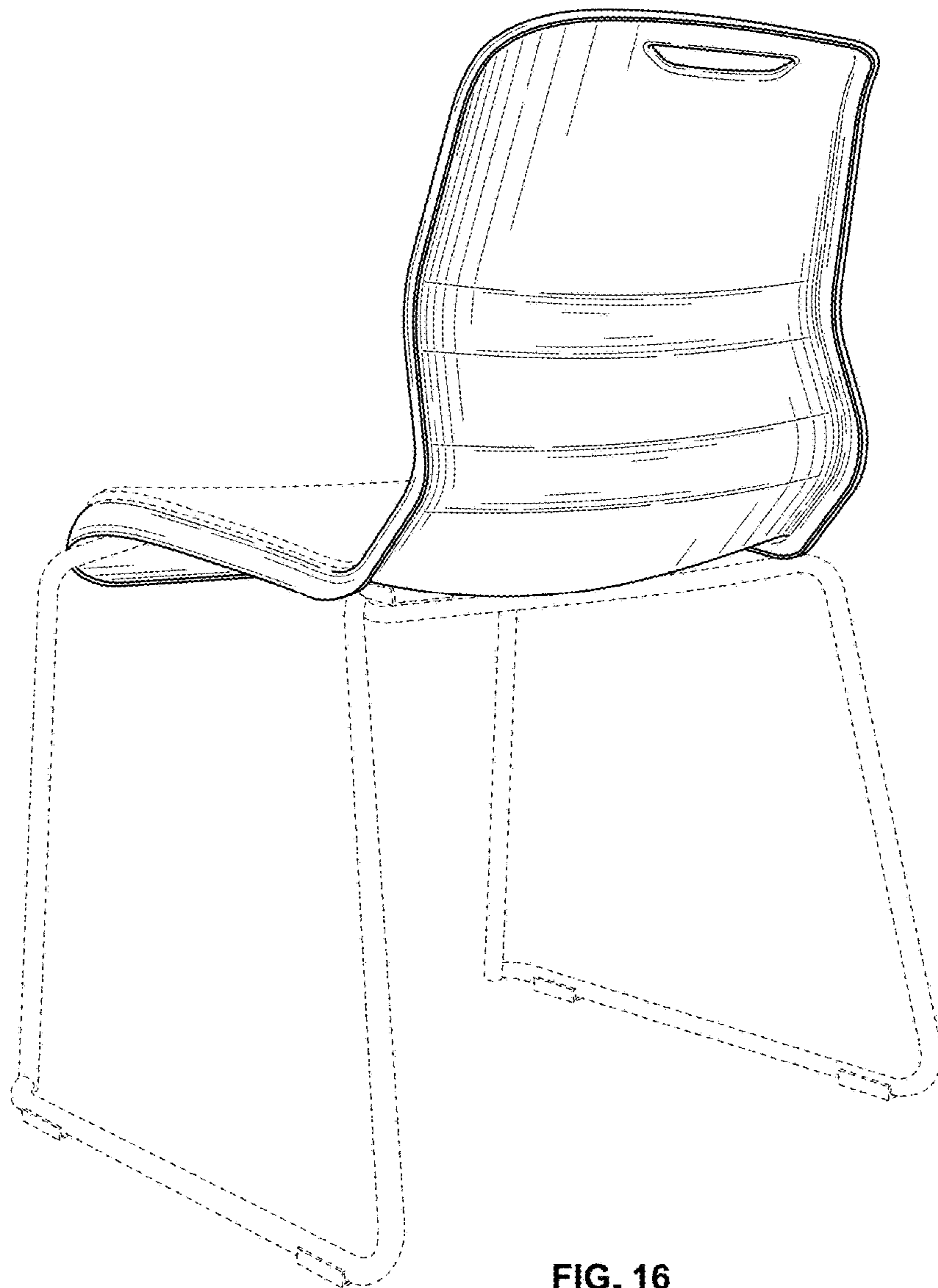


FIG. 16