



US00D846930S

(12) **United States Design Patent** (10) **Patent No.:** **US D846,930 S**
Patton et al. (45) **Date of Patent:** **** Apr. 30, 2019**

(54) **CHAIR**
(71) Applicant: **Varidesk, LLC**, Coppell, TX (US)
(72) Inventors: **David Patton**, Flower Mound, TX (US); **Lio Yenwei Chang**, Lewisville, TX (US)
(73) Assignee: **VARIDESK, LLC**, Coppell, TX (US)

4,148,523 A 4/1979 Brand et al.
4,183,579 A 1/1980 Gonzalez Y. Rojas
D261,450 S 10/1981 Jenkins
4,433,870 A 2/1984 Bairen et al.
D275,155 S 8/1984 Carlin
4,469,372 A 9/1984 Long
4,526,422 A 7/1985 Mengshoel et al.
(Continued)

(**) Term: **15 Years**
(21) Appl. No.: **29/582,820**

FOREIGN PATENT DOCUMENTS

WO WO-2014174227 A1 10/2014

(22) Filed: **Oct. 31, 2016**
(51) **LOC (11) Cl.** **06-01**
(52) **U.S. Cl.**
USPC **D6/716; D6/360**
(58) **Field of Classification Search**
USPC D6/334-336, 360, 364, 365, 366, 375,
D6/716, 716.1, 716.4, 708.16, 718.17,
D6/691.4, 349
CPC A47C 1/04; A47C 1/06; A47C 3/18; A47C
3/20; A47C 3/24; A47C 4/028; A47C
7/002; A47C 7/004; A47C 7/24; A47C
9/02; A47C 9/002; A47C 9/025
See application file for complete search history.

OTHER PUBLICATIONS

International Search Report and Written Opinion of the International Searching Authority in International Application No. PCT/US2017/063431, dated Feb. 2, 2018.

Primary Examiner — Mimoso De
(74) *Attorney, Agent, or Firm* — Michele V. Frank; Venable LLP

(56) **References Cited**
U.S. PATENT DOCUMENTS

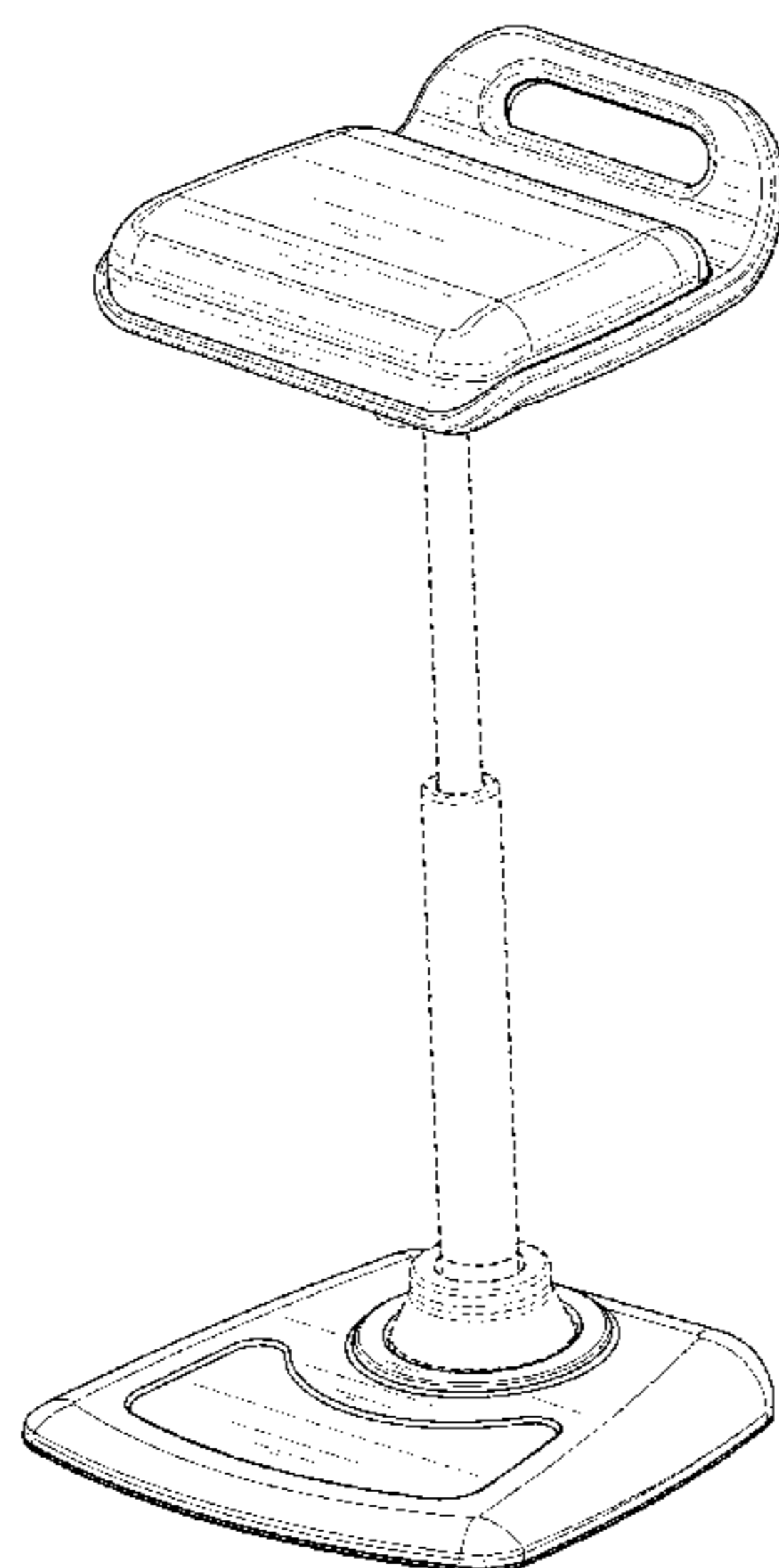
D78,016 S *	3/1929	Gobles	D6/360
2,620,863 A	12/1952	Cooper		
2,678,684 A	5/1954	Thomson		
2,785,735 A	3/1957	Banks		
D197,964 S *	4/1964	Rhoades	D6/375
D199,304 S *	10/1964	Rhoades	D6/375
3,181,828 A	5/1965	Cramer		
3,203,657 A	8/1965	Thompson		
3,312,437 A	4/1967	Barth		
3,414,323 A	12/1968	Mitchum		
4,029,278 A	6/1977	Napoleon		
4,130,263 A	12/1978	Roericht		

(57) **CLAIM**
The ornamental design for a chair, as shown and described.

DESCRIPTION

FIG. 1 is a perspective view of a chair of the claimed design, shown in a lowered position;
FIG. 2 is a front elevational view of the chair of FIG. 1;
FIG. 3 is a rear elevational view of the chair of FIG. 1;
FIG. 4 is a left side elevational view of the chair of FIG. 1;
FIG. 5 is a right side elevational view of the chair of FIG. 1;
FIG. 6 is a top plan view of the chair of FIG. 1;
FIG. 7 is a bottom plan view of the chair of FIG. 1; and,
FIG. 8 is perspective view of the chair of FIG. 1, shown in a raised position.
The features shown in broken lines are environment only and not part of the claimed design.

1 Claim, 8 Drawing Sheets



(56)

References Cited

U.S. PATENT DOCUMENTS

D283,856 S	5/1986	Elmaleh		7,624,737 B2	12/2009	Klemm	
4,650,249 A	3/1987	Serber		7,669,920 B1	3/2010	Petersen et al.	
4,653,808 A	3/1987	Opsvik		7,703,726 B2	4/2010	Harrison et al.	
4,738,487 A	4/1988	Shalinsky et al.		7,726,729 B2	6/2010	Groll	
4,863,178 A	9/1989	Friesen		7,740,308 B2	6/2010	Mishly	
4,865,382 A	9/1989	Marshall		8,066,624 B1	11/2011	Stroup	
4,867,273 A	9/1989	Schaevitz		8,136,876 B2	3/2012	Bellvis Castillo et al.	
4,930,839 A	6/1990	Saito et al.		8,151,812 B2	4/2012	Razon	
4,932,719 A	6/1990	Gonzalez y. Rojas		8,220,872 B2	7/2012	Hong	
4,934,638 A	6/1990	Davis		D666,425 S	9/2012	Link	
5,010,621 A	4/1991	Bock		8,317,267 B2	11/2012	Wallace	
D322,369 S *	12/1991	Laird	D6/364	8,403,408 B2	3/2013	Hosier	
5,149,174 A	9/1992	Charash		8,496,292 B2	7/2013	Strassberg	
5,199,763 A	4/1993	Wilder et al.		8,540,314 B2	9/2013	Fernandez	
5,295,728 A	3/1994	Schaevitz		D697,328 S	1/2014	Keen et al.	
5,328,240 A	7/1994	Neumuller		8,696,059 B2	4/2014	Carmichael, IV	
D365,695 S	1/1996	Sibbitt, Sr.		8,726,814 B1	5/2014	Matteo	
D365,935 S *	1/1996	Dallas	D6/375	8,845,017 B1	9/2014	Lach	
5,494,333 A	2/1996	Wilson		D716,570 S	11/2014	Keen et al.	
5,511,855 A	4/1996	Miles		8,973,997 B2	3/2015	Green et al.	
5,524,968 A	6/1996	Stoltz		9,016,796 B2	4/2015	Portis	
5,630,648 A *	5/1997	Allard	A47C 9/025 297/327	D741,073 S *	10/2015	Keen	D6/349
				D746,076 S	12/2015	Figueras Mitjans	
				D750,391 S	3/2016	Lensing	
				9,301,619 B2	4/2016	Verdier et al.	
				D798,624 S *	10/2017	Ono	D6/366
				2003/0151277 A1	8/2003	Chen	
5,700,201 A	12/1997	Bellows et al.		2004/0189071 A1	9/2004	Komura et al.	
5,702,158 A	12/1997	Mengshoel et al.		2004/0212238 A1	10/2004	Chen	
5,720,517 A	2/1998	Prothro, Sr.		2006/0082206 A1	4/2006	Travis	
5,909,925 A	6/1999	Glockl		2006/0138840 A1	6/2006	Keilhauer et al.	
5,921,628 A	7/1999	Glockl		2006/0232109 A1	10/2006	Olano	
6,017,089 A	1/2000	Mengshoel		2008/0106132 A1	5/2008	Glockl et al.	
6,030,045 A	2/2000	Hoshino		2008/0143164 A1	6/2008	Ghilzai	
6,062,638 A	5/2000	Ferguson		2009/0001788 A1	1/2009	Lenz et al.	
6,065,808 A	5/2000	Tinsley		2009/0174232 A1	7/2009	Hoffman	
6,123,392 A	9/2000	Alfred et al.		2009/0230743 A1	9/2009	Derakhshan et al.	
6,135,557 A	10/2000	Gustafsson		2011/0160026 A1	6/2011	Perez, Jr.	
6,155,646 A	12/2000	Sisson		2011/0175414 A1	7/2011	Asbjornsen	
6,305,674 B1	10/2001	Koivurova		2012/0013162 A1	1/2012	Chen	
D473,389 S	4/2003	Ryan		2012/0158138 A1	6/2012	Brinkerhoff et al.	
6,601,818 B1	8/2003	Larsen		2012/0319444 A1	12/2012	Onopa	
6,672,660 B2	1/2004	Hoshino		2013/0026335 A1	1/2013	Lopopolo	
6,698,831 B2	3/2004	Lloyd		2013/0031712 A1	2/2013	Gossett et al.	
6,893,097 B1	5/2005	Ebensperger et al.		2013/0306831 A1	11/2013	Keen et al.	
D522,261 S	6/2006	Whiteside et al.		2013/0307298 A1	11/2013	Meiki	
7,100,983 B1	9/2006	Gant		2014/0021752 A1	1/2014	von Letkemann	
7,108,321 B2	9/2006	Davis		2015/0130239 A1	5/2015	Glockl et al.	
7,144,080 B2	12/2006	Lloyd		2015/0164235 A1	6/2015	Zager et al.	
7,234,781 B2	6/2007	Liao		2015/0164719 A1	6/2015	Green et al.	
7,303,516 B2	12/2007	Petersen		2015/0173515 A1	6/2015	Freedman	
7,314,248 B2	1/2008	Mabon et al.		2015/0250317 A1	9/2015	Glockl	
7,322,913 B2	1/2008	Gates		2016/0038780 A1	2/2016	Hugou et al.	
7,328,951 B2	2/2008	Ward et al.		2016/0088944 A1	3/2016	Walser	
7,401,856 B2	7/2008	Marchand et al.		2016/0120326 A1	5/2016	Belleh	
7,552,966 B2	6/2009	Crowell					
D598,209 S	8/2009	Lippert et al.					
7,591,773 B2	9/2009	Weir et al.					

* cited by examiner

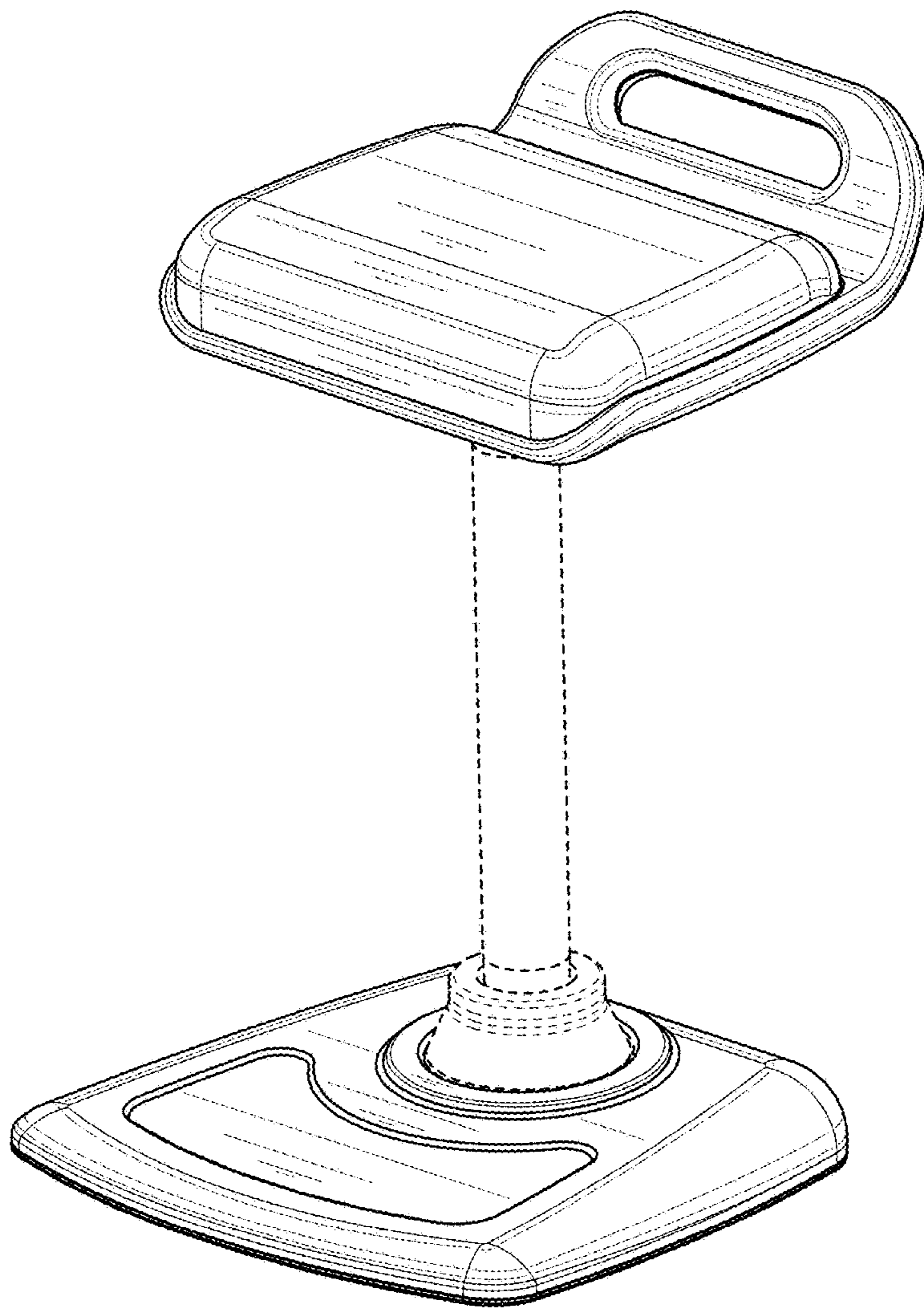


FIG. 1

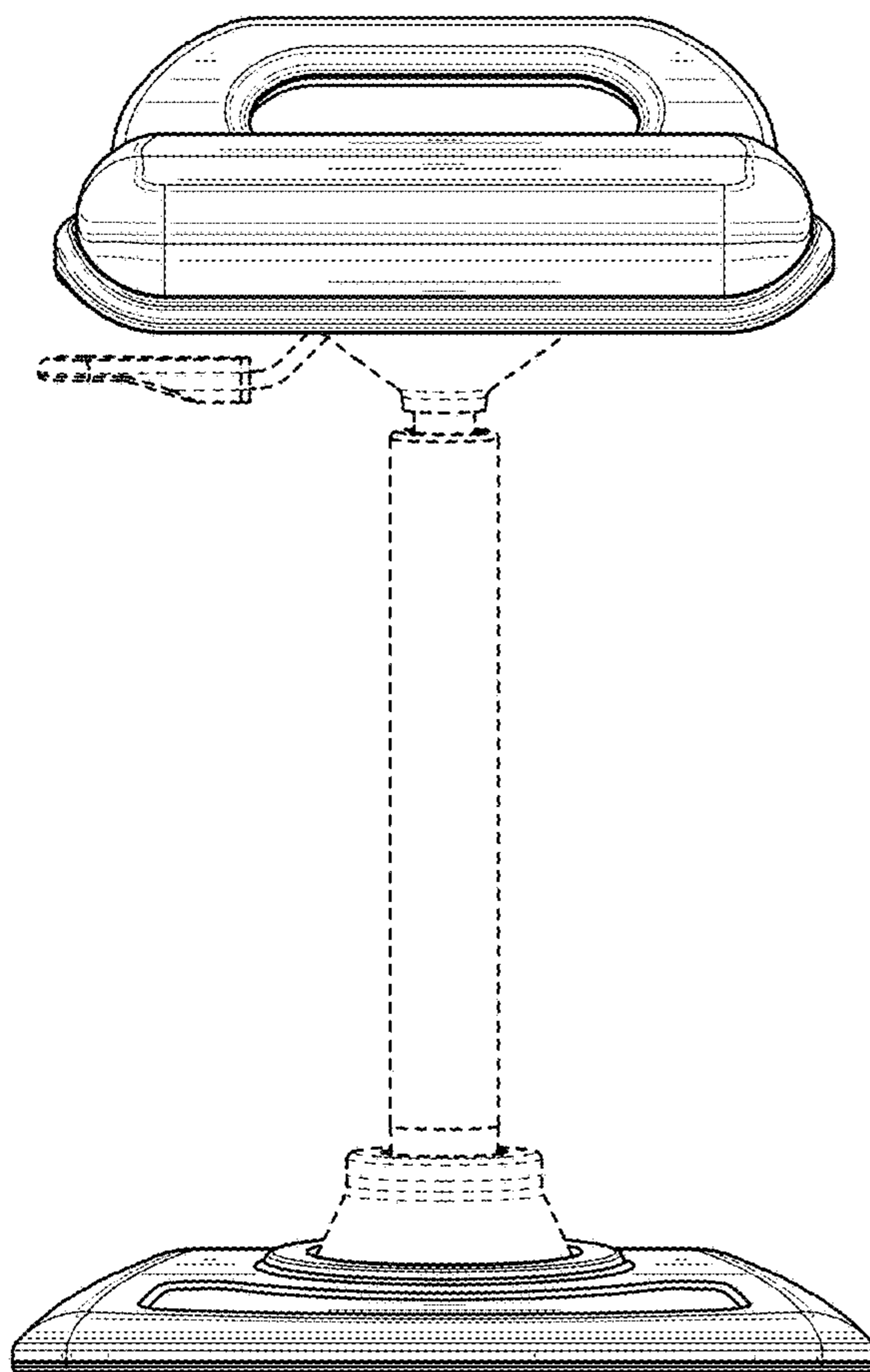


FIG. 2

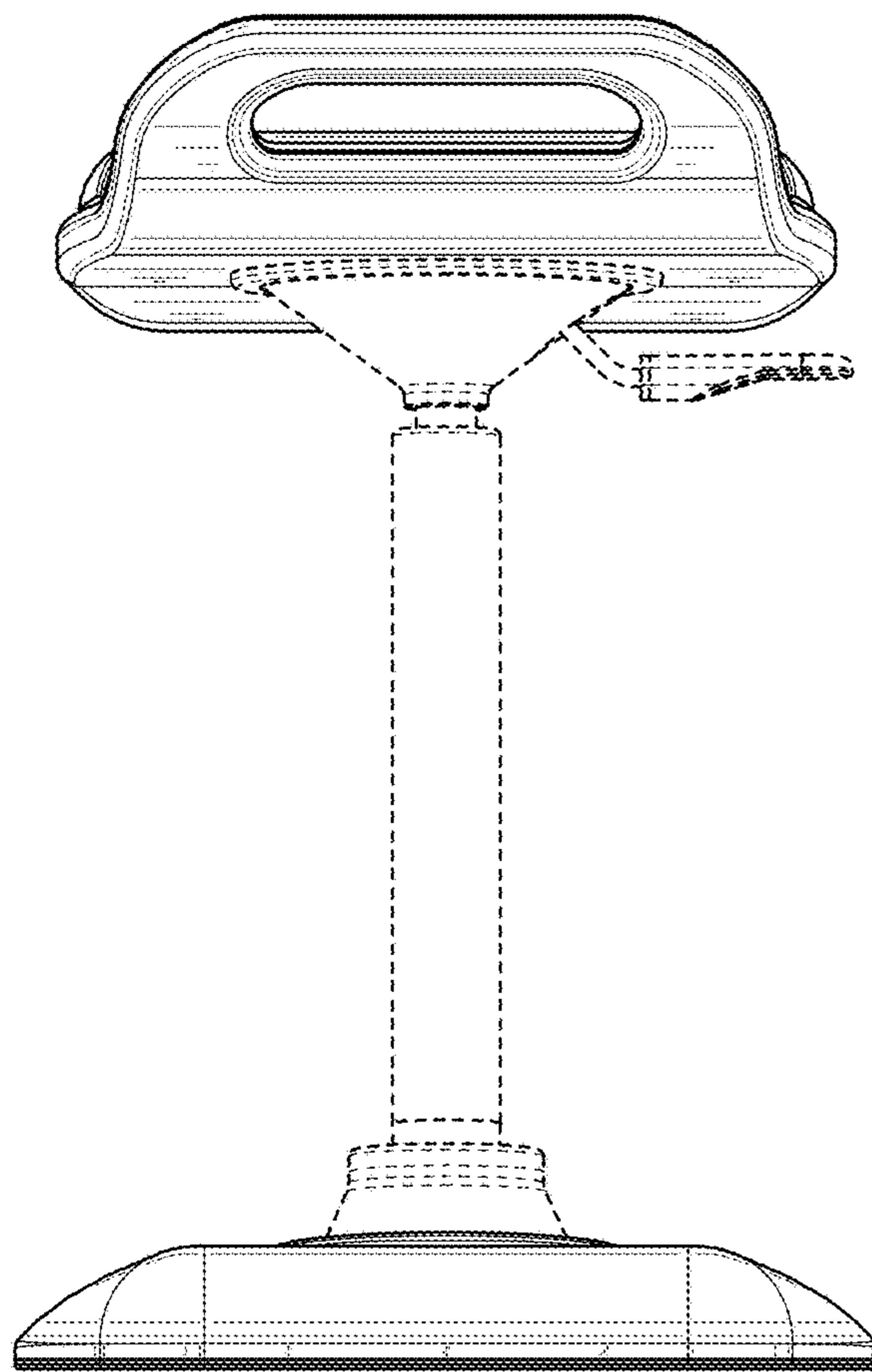


FIG. 3

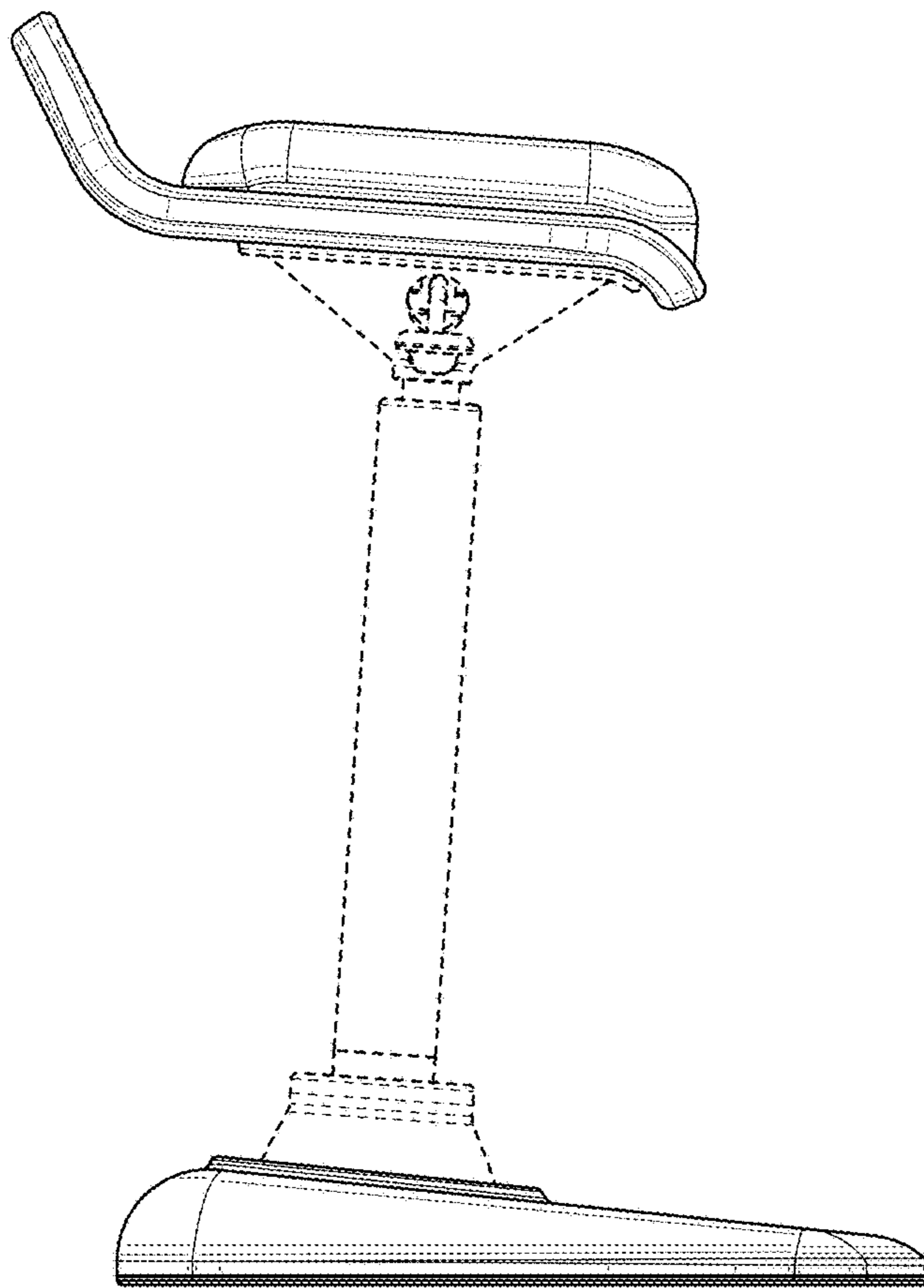


FIG. 4

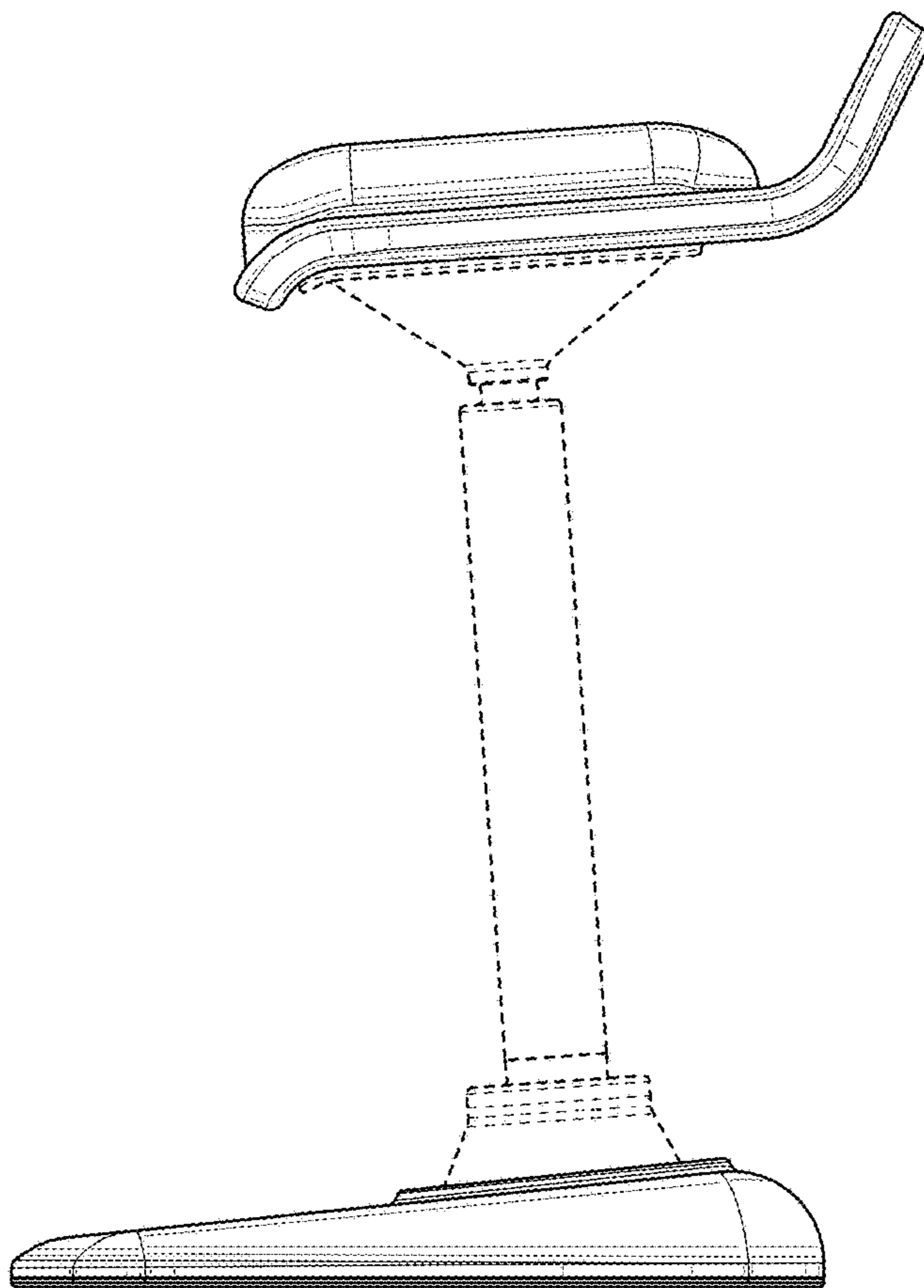


FIG. 5

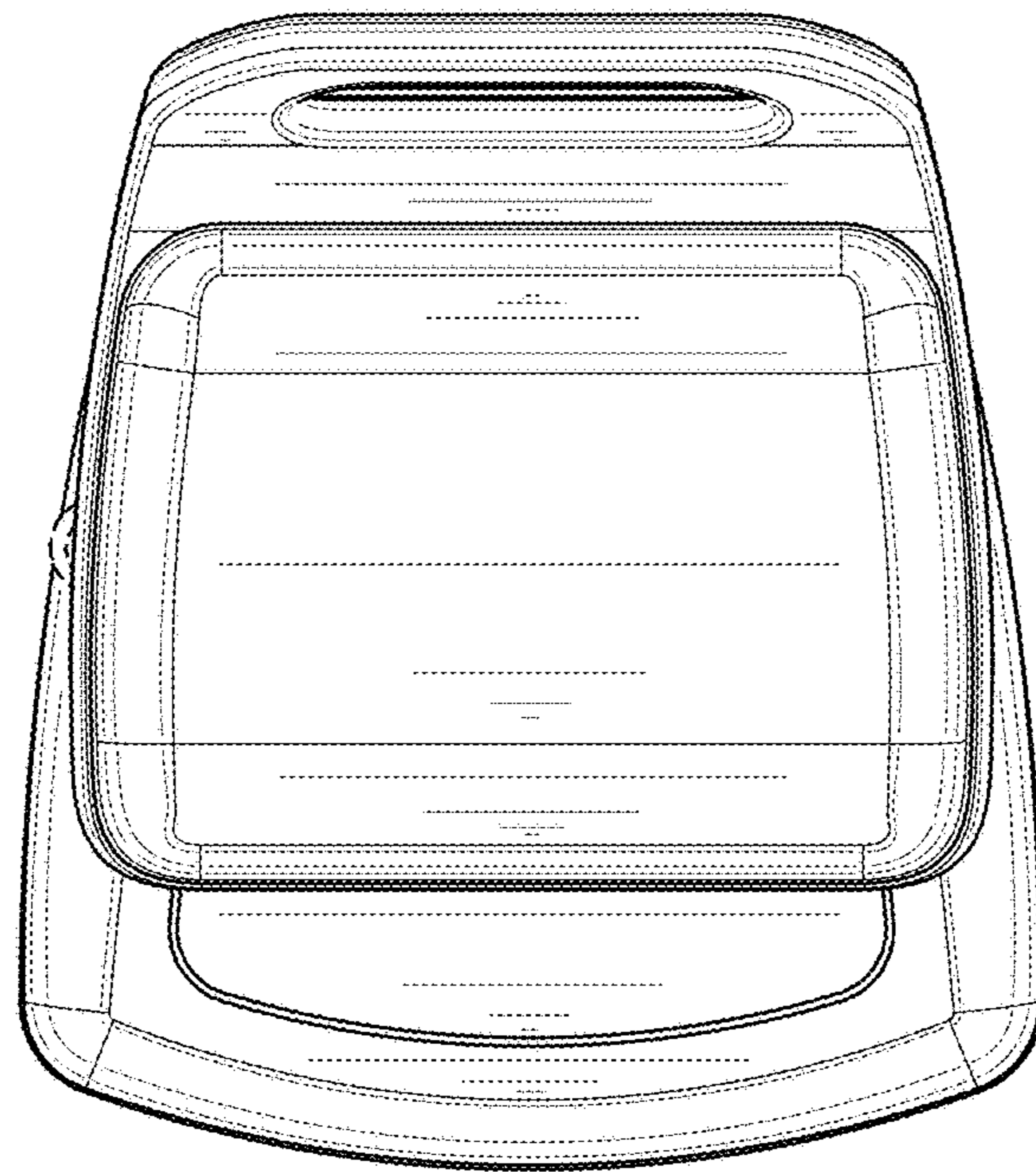


FIG. 6

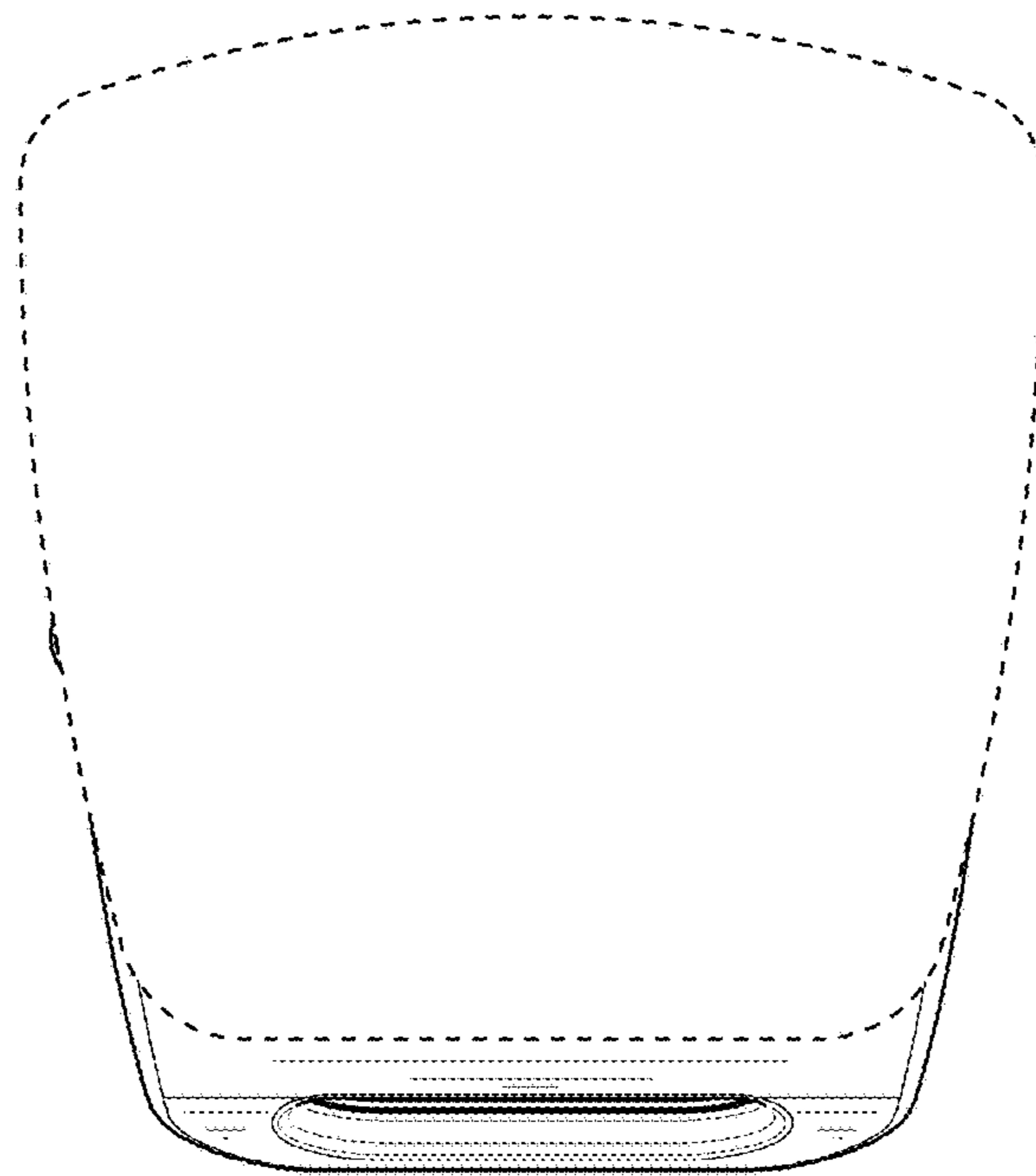


FIG. 7

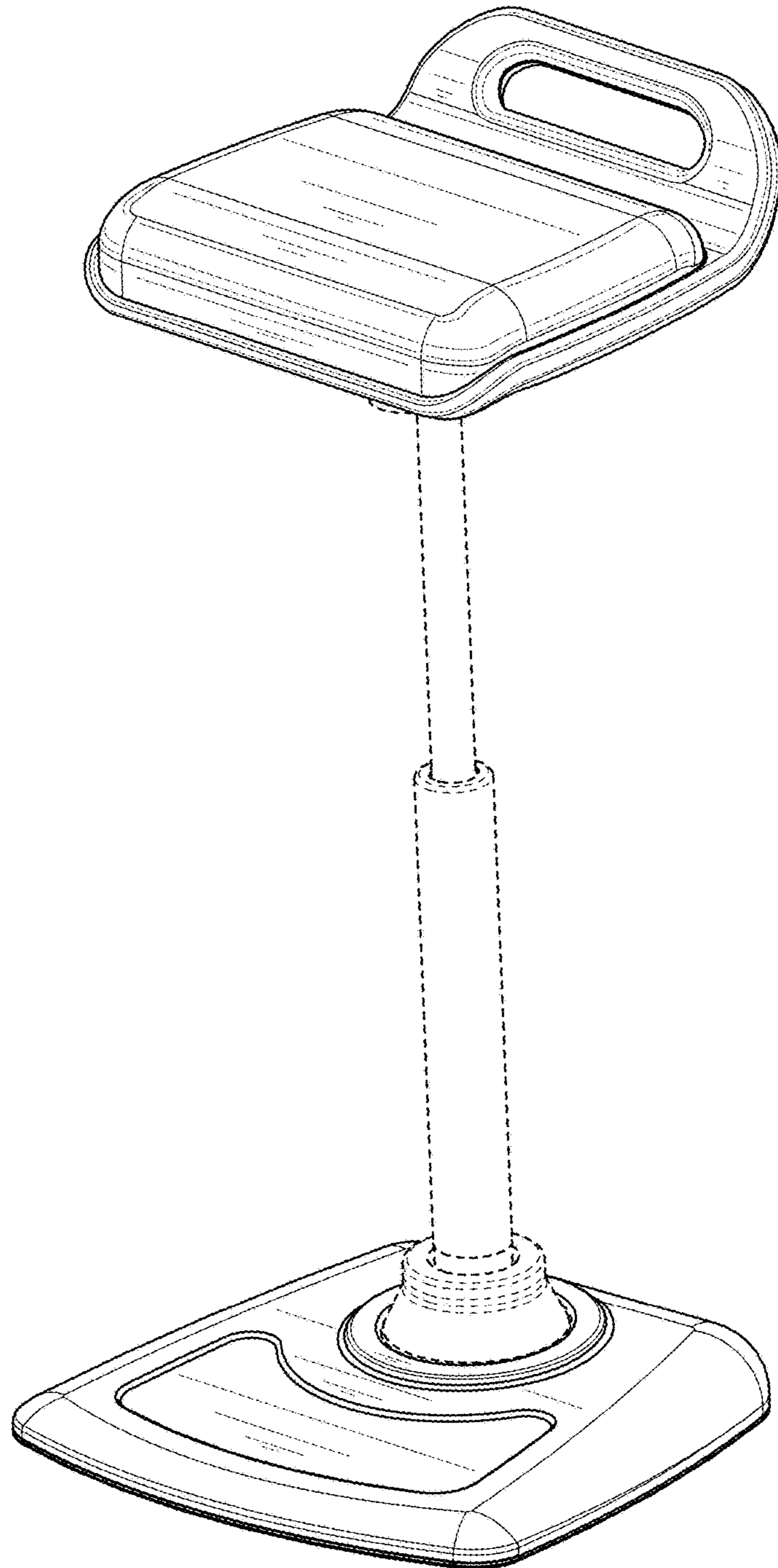


FIG. 8