



US00D846929S

(12) **United States Design Patent**  
**Brueske et al.**

(10) **Patent No.:** **US D846,929 S**

(45) **Date of Patent:** **\*\* Apr. 30, 2019**

(54) **CHAIR**

(71) Applicant: **INTERSTUHL BUEROMOEBEL  
GMBH & CO. KG**, Messstetten (DE)

(72) Inventors: **Joachim Rainer Brueske**, Berlin (DE);  
**Andreas Krob**, Wolfhalden (CH)

(73) Assignee: **Interstuhl Bueromoebel GmbH & Co.  
KG**, Messstetten (DE)

(\*\*) Term: **15 Years**

(21) Appl. No.: **29/570,647**

(22) Filed: **Jul. 11, 2016**

(30) **Foreign Application Priority Data**

Jan. 12, 2016 (EP) ..... 002941476

(51) **LOC (11) Cl.** ..... **06-01**

(52) **U.S. Cl.**  
USPC ..... **D6/716; D6/366**

(58) **Field of Classification Search**  
USPC ..... D6/334-336, 364, 365, 366, 374, 375,  
D6/379, 380, 716, 716.1, 716.2, 716.4  
CPC .. A47C 7/16; A47C 7/54; A47C 7/022; A47C  
7/18; A47C 7/24; A47C 3/18; A47C 3/20;  
A47C 7/40; A47C 7/46  
See application file for complete search history.

(56) **References Cited**

**U.S. PATENT DOCUMENTS**

D597,771 S \* 8/2009 Weber ..... D6/716.4  
D643,641 S \* 8/2011 Figueroa ..... D6/366

D643,642 S \* 8/2011 Figueroa ..... D6/366  
D707,976 S \* 7/2014 Smith ..... D6/366  
D735,483 S \* 8/2015 Wu ..... D6/366  
D779,252 S \* 2/2017 Welsh ..... D6/716.4  
D779,253 S \* 2/2017 Welsh ..... D6/716.4  
D782,241 S \* 3/2017 Welsh ..... D6/716.4  
D799,843 S \* 10/2017 Chen ..... D6/366  
D803,608 S \* 11/2017 Nakamura ..... D6/716  
D803,609 S \* 11/2017 Guelfo ..... D6/716.2  
D815,868 S \* 4/2018 Romero ..... D6/716

\* cited by examiner

*Primary Examiner* — Mimoso De

(74) *Attorney, Agent, or Firm* — Collard & Roe, P.C.

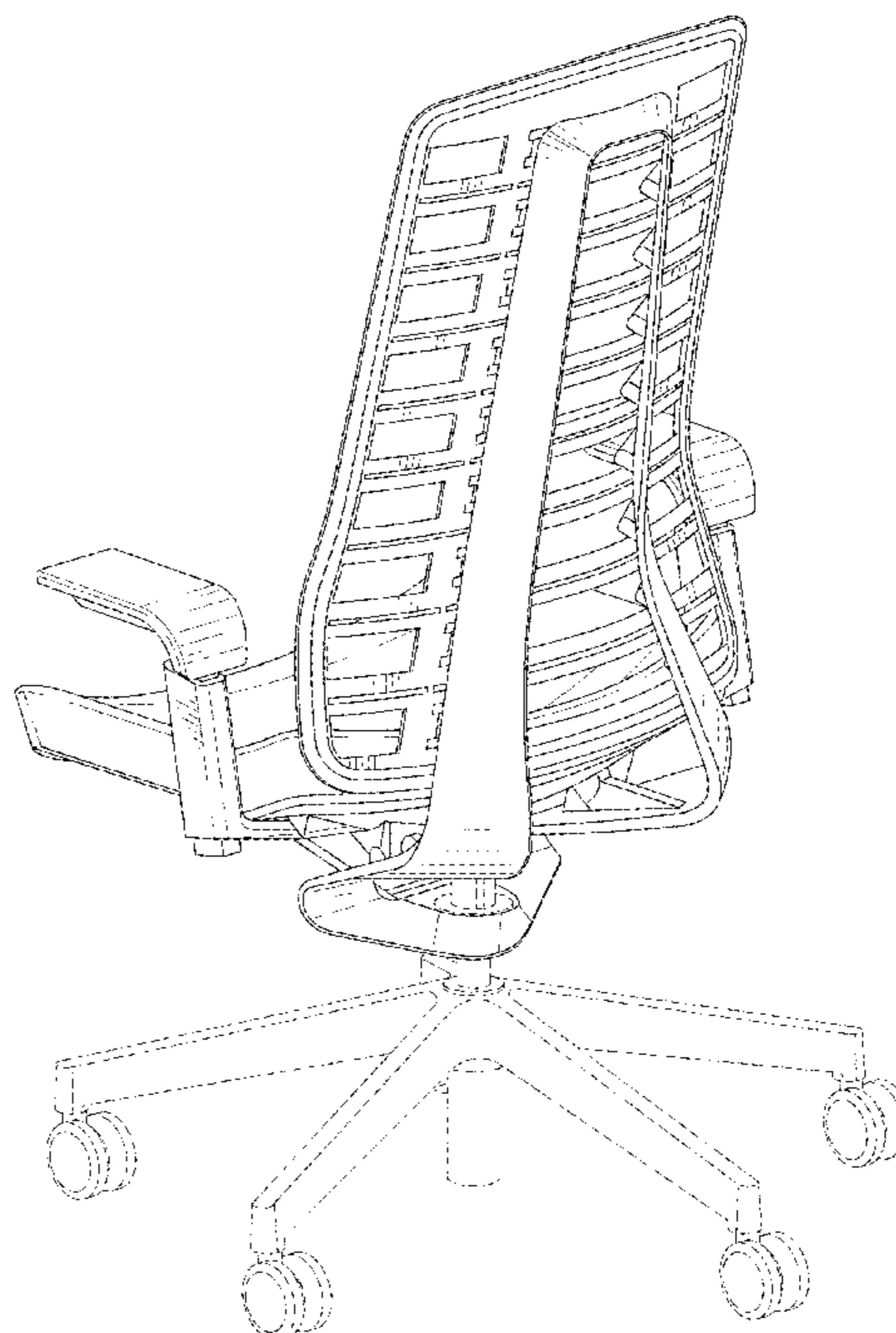
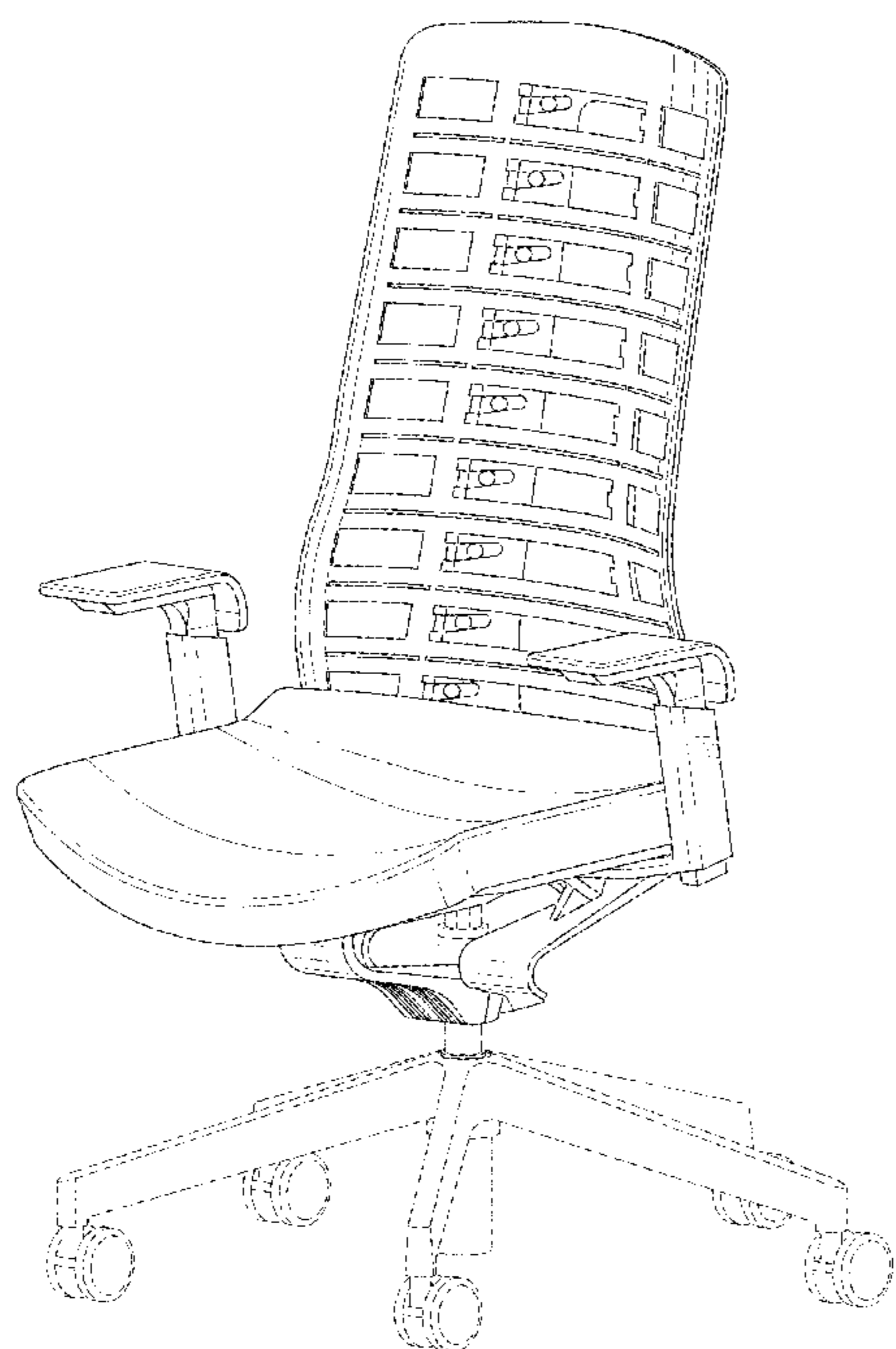
(57) **CLAIM**

The ornamental design for a chair, as shown and described.

**DESCRIPTION**

FIG. 1 is a ¾ front perspective view of a chair showing my new design;  
FIG. 2 is ¾ rear perspective view thereof;  
FIG. 3 is a front elevation view thereof;  
FIG. 4 is a rear elevation view thereof;  
FIG. 5 is a left side elevation view thereof; and,  
FIG. 6 is a right side elevation view thereof.  
The features shown in broken lines show portions of the chair that form no part of the claimed design.

**1 Claim, 6 Drawing Sheets**



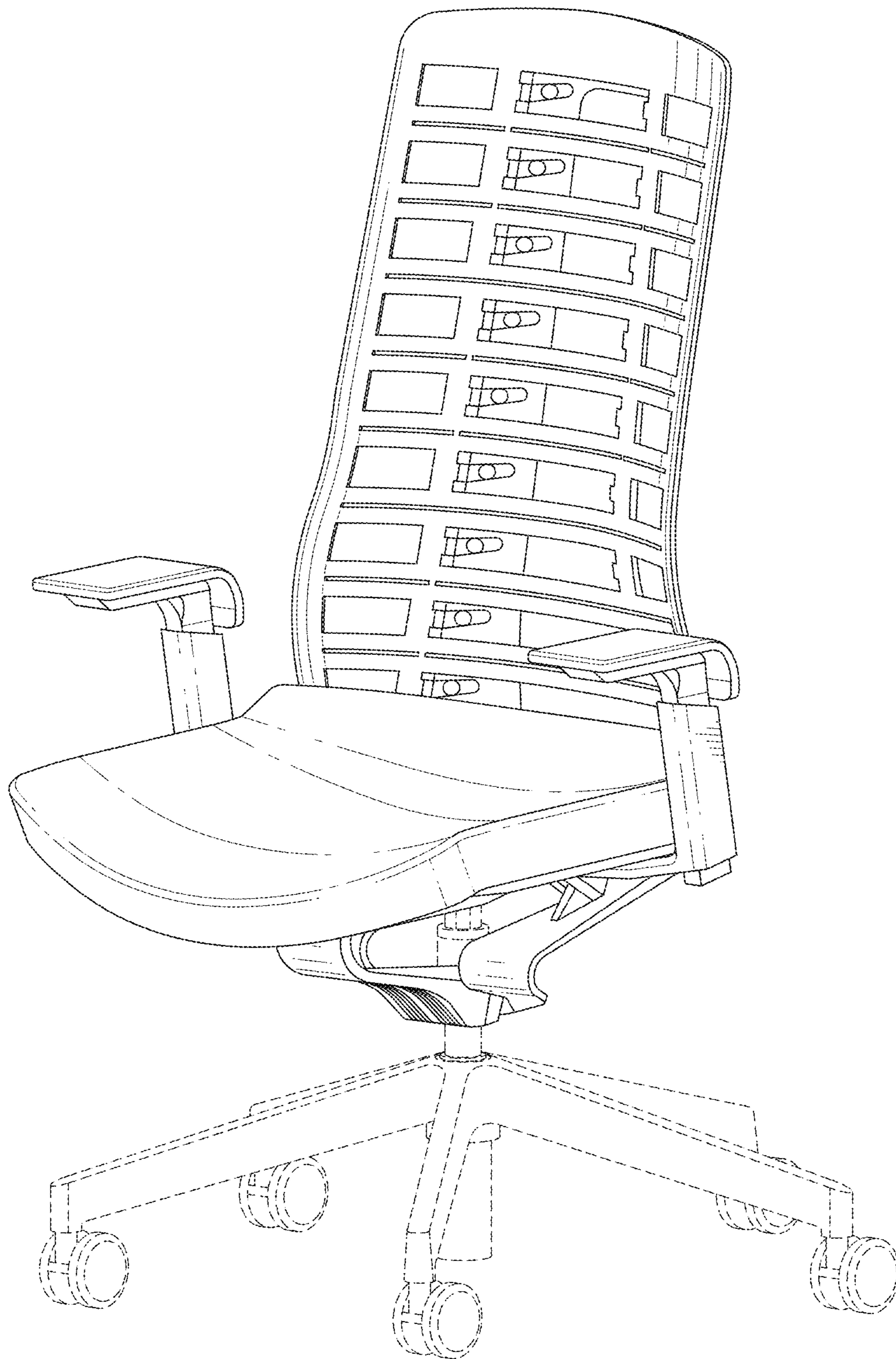


FIG. 1

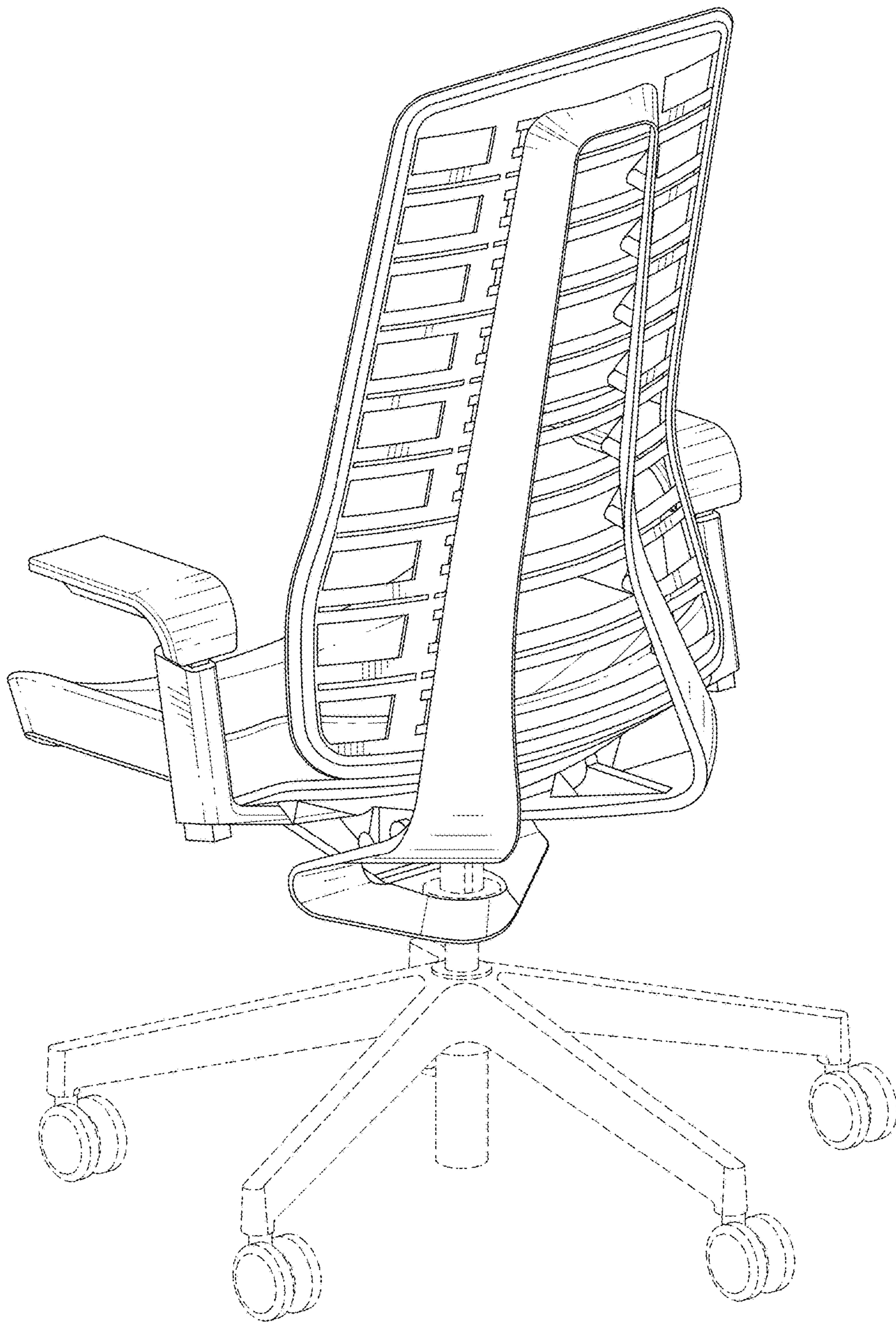


FIG. 2



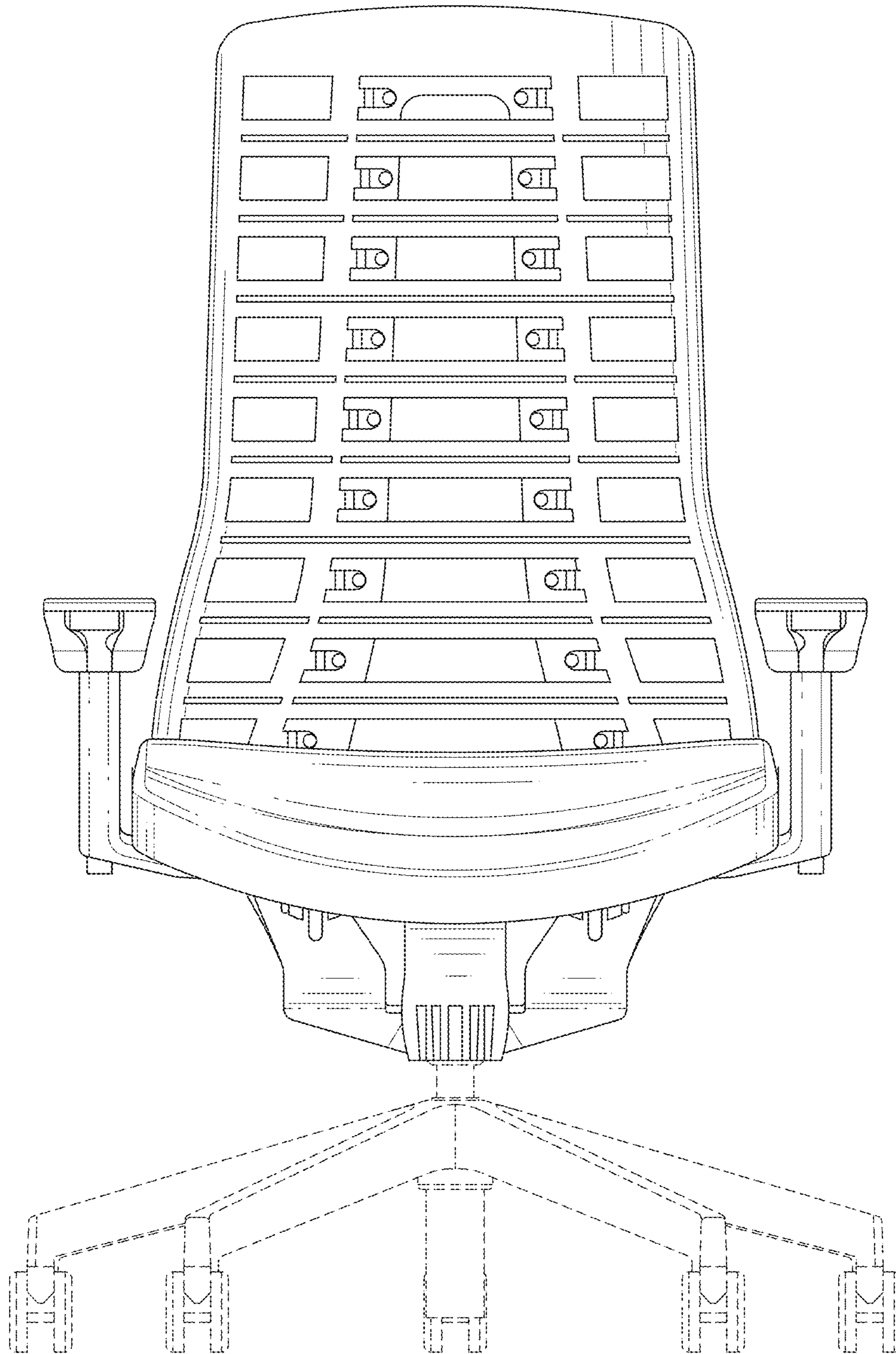


FIG. 3

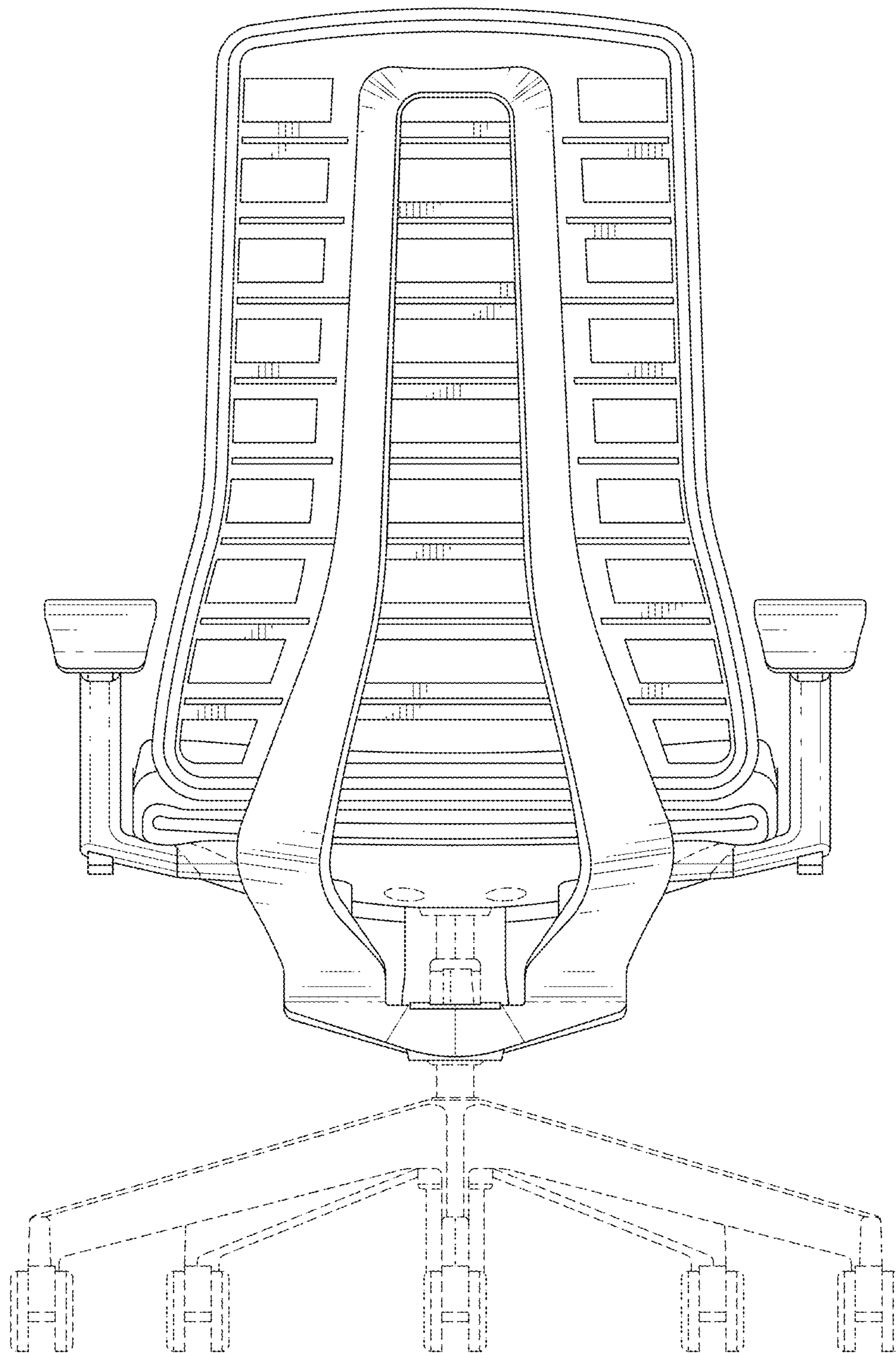


FIG. 4

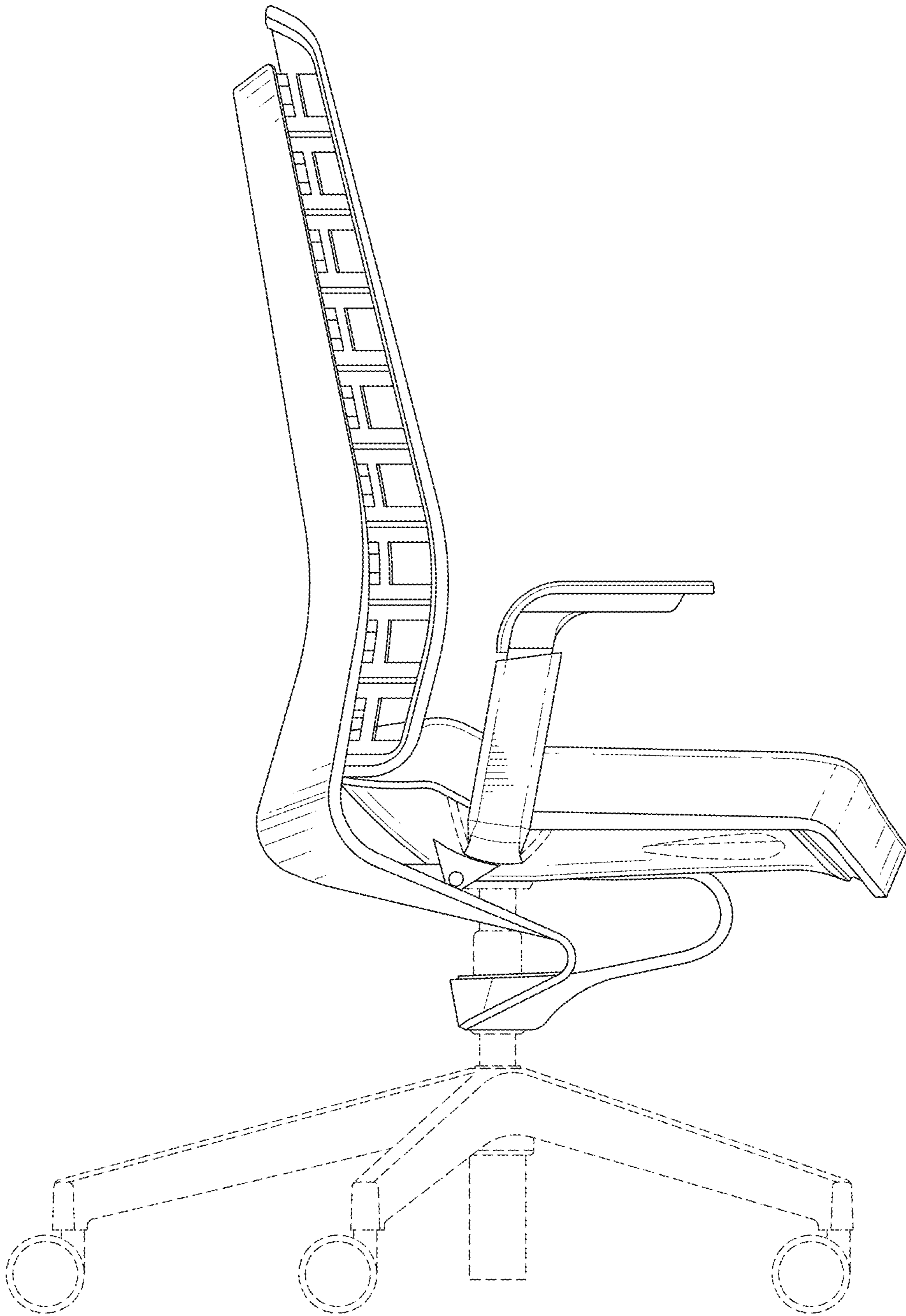


FIG. 5

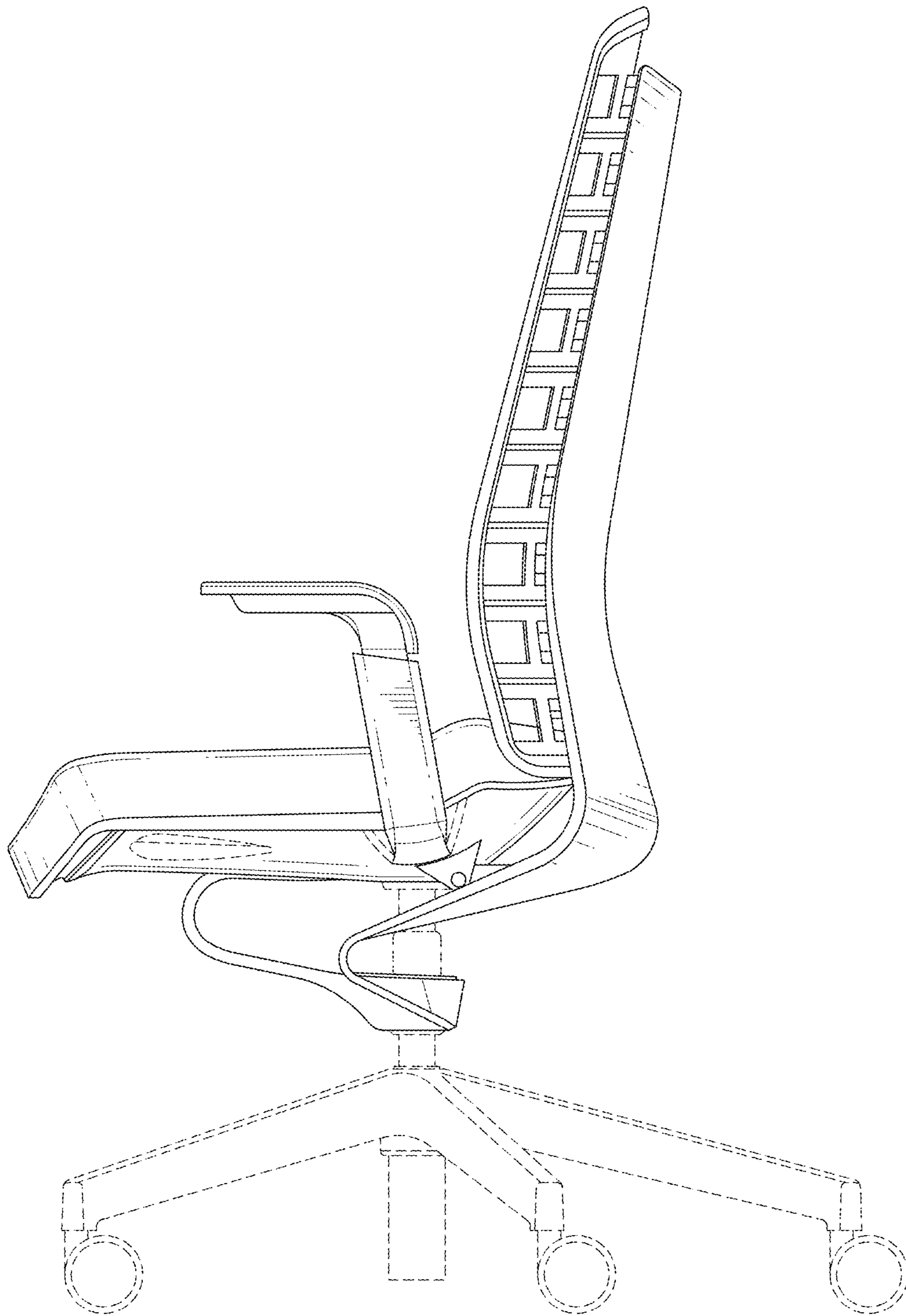


FIG. 6