



US00D846926S

(12) **United States Design Patent**  
**Hairabedian et al.**

(10) **Patent No.:** **US D846,926 S**  
(45) **Date of Patent:** **\*\* Apr. 30, 2019**

- (54) **BODY POSITIONING SUPPORT**
- (71) Applicant: **Abely LLC**, Manhasset, NY (US)
- (72) Inventors: **Sabine Hairabedian**, Manhasset, NY (US); **Richard Bloc**, Derchigny (FR)
- (73) Assignee: **ABELY LLC**, Manhasset, NY (US)
- (\*\*) Term: **15 Years**
- (21) Appl. No.: **29/657,306**
- (22) Filed: **Jul. 20, 2018**

**Related U.S. Application Data**

- (63) Continuation of application No. 29/599,261, filed on Mar. 31, 2017, now Pat. No. Des. 827,322.
- (51) **LOC (11) Cl.** ..... **06-06**
- (52) **U.S. Cl.**  
USPC ..... **D6/708.16**; D6/716.4; D6/718
- (58) **Field of Classification Search**  
USPC ..... D6/367, 368, 382, 392, 708.16, 708.19, D6/709.2, 711, 716.4, 718, 718.13, 718.3  
CPC ..... A47C 20/00; A47C 20/02; A47C 20/027; A47C 20/04; A47C 7/40; A47C 7/42; A47C 1/17; A47C 1/18; A47B 13/003; A47B 13/06; A47B 2013/022; A47B 3/002  
See application file for complete search history.

**References Cited**

**U.S. PATENT DOCUMENTS**

- 1,151,894 A 8/1915 Meinecke
- 1,297,088 A \* 3/1919 Butler ..... A47C 20/027  
5/634
- D166,227 S \* 3/1952 Sachs ..... D6/708.16
- 2,589,719 A \* 3/1952 McKinney ..... A47B 11/00  
108/154
- 2,663,029 A \* 12/1953 Whitley ..... A47C 20/027  
297/377

- 3,188,662 A \* 6/1965 Watson ..... A47C 20/027  
297/1
  - 3,292,189 A 12/1966 Parker et al.
  - 3,329,979 A \* 7/1967 Drapin ..... A47C 20/027  
5/634
  - 3,343,185 A \* 9/1967 Nemser ..... A47C 20/027  
5/633
  - D213,399 S \* 2/1969 Chew ..... D25/68
  - 3,866,250 A 2/1975 Bradford
  - D254,890 S \* 5/1980 Wilson ..... D6/708.16
- (Continued)

*Primary Examiner* — Cathron C Brooks

(74) *Attorney, Agent, or Firm* — Mannava & Kang, P.C.; Arash Behravesh

(57) **CLAIM**

What is claimed is the ornamental design for the body positioning support, as shown and described.

**DESCRIPTION**

FIG. 1 is a perspective view of a motorized body positioning system;

FIG. 2 is a front view of the motorized body positioning system shown in FIG. 1;

FIG. 3 is a back view of the motorized body positioning system shown in FIG. 1;

FIG. 4 is a right side view of the motorized body positioning system shown in FIG. 1;

FIG. 5 is a left side view of the motorized body positioning system shown in FIG. 1;

FIG. 6 is a bottom view of the the motorized body positioning system shown in FIG. 1;

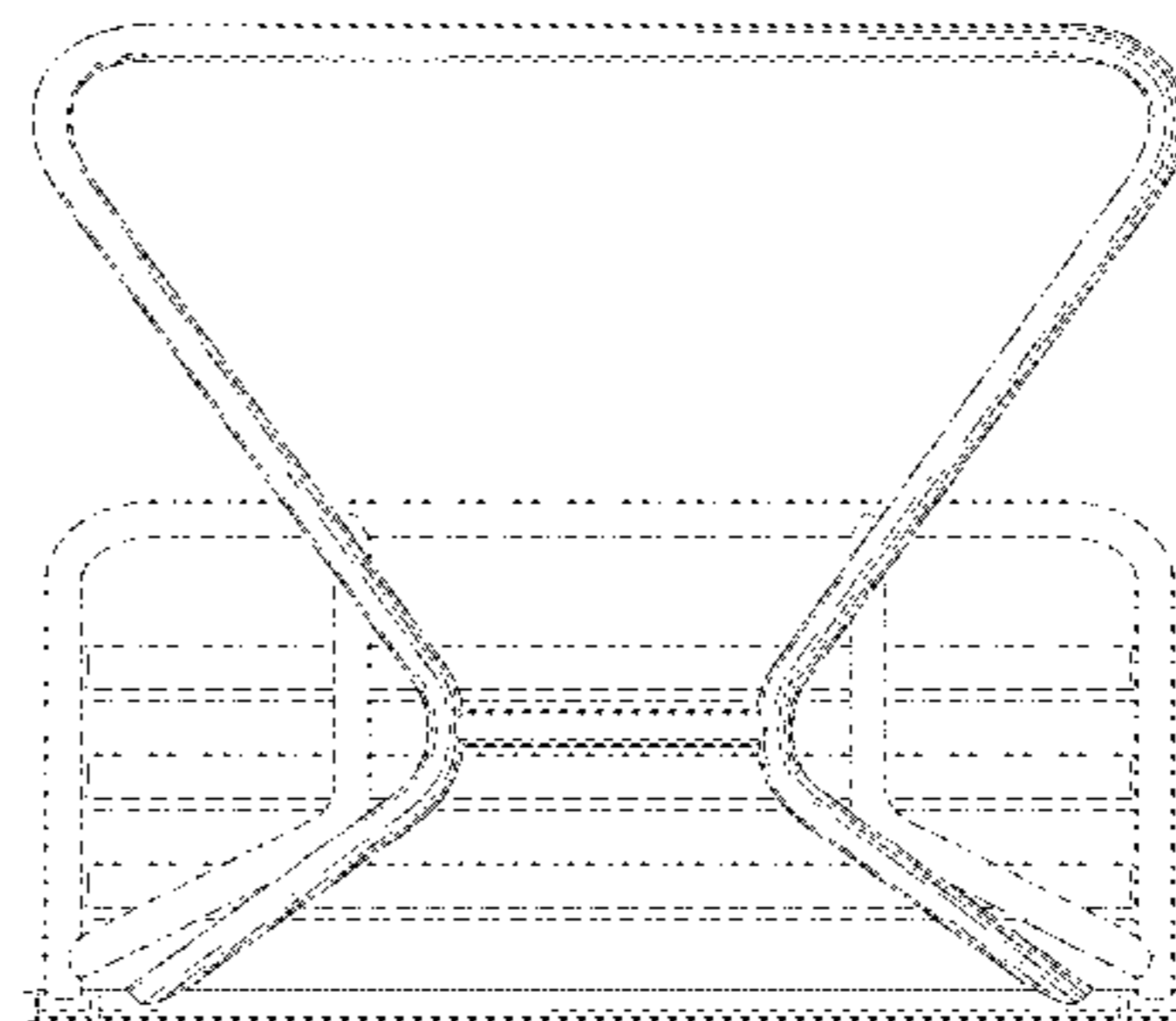
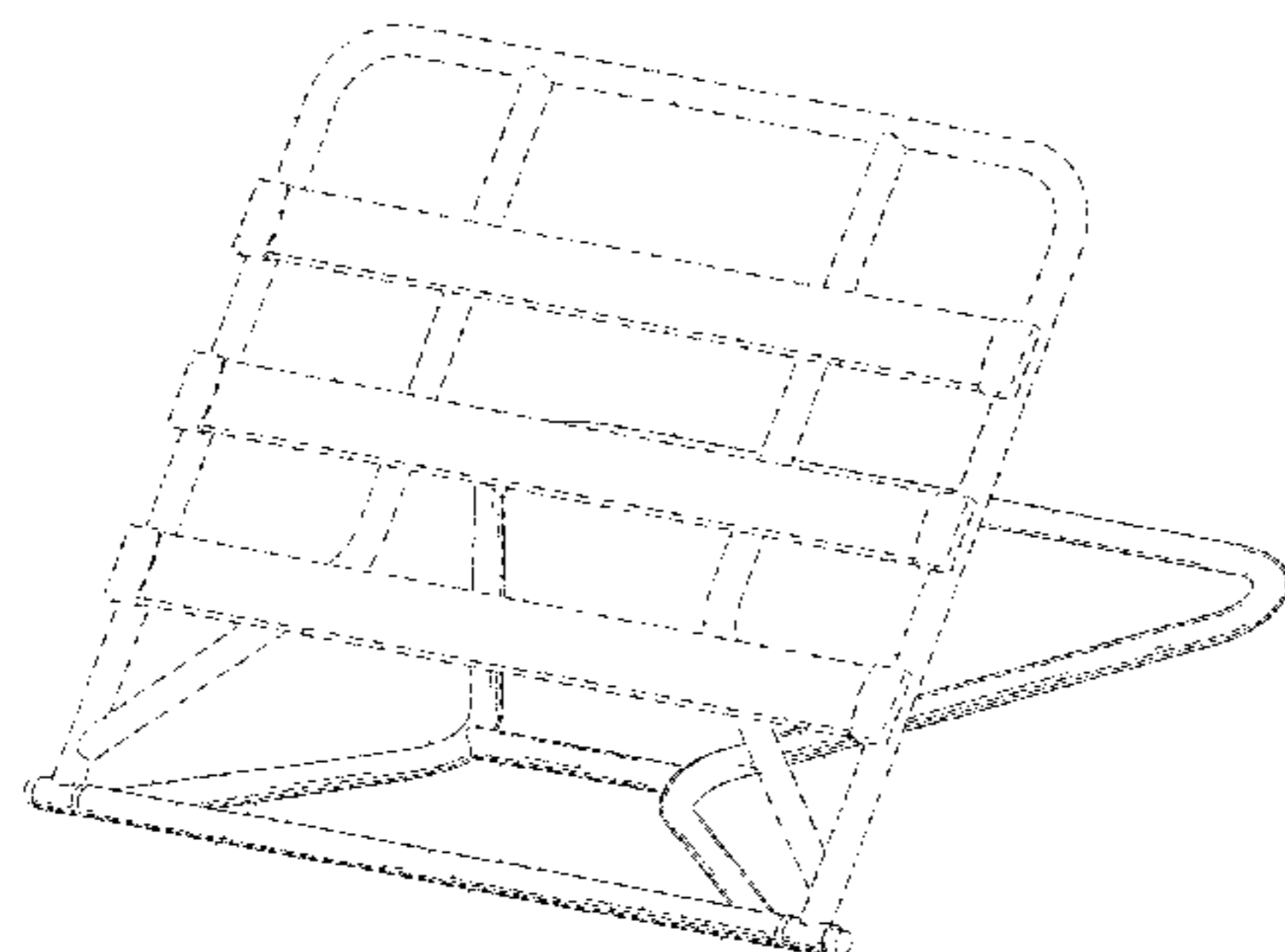
FIG. 7 is a top view of the motorized body positioning system shown in FIG. 1;

FIG. 8 is a left side view of the motorized body positioning system opened at approximately 90 degrees; and,

FIG. 9 is a left side view of the motorized body positioning system opened at approximately 30 degrees.

The broken lines in the drawings illustrate environmental features and form no part of the claimed design.

**1 Claim, 6 Drawing Sheets**



(56)

**References Cited**

U.S. PATENT DOCUMENTS

4,410,214 A \* 10/1983 Geschwender ..... A47C 3/04  
297/118  
D281,749 S \* 12/1985 Murry ..... D6/708.16  
4,651,365 A \* 3/1987 Zeigler  
4,660,237 A 4/1987 Brodnax  
4,754,507 A 7/1988 Edge  
5,425,567 A \* 6/1995 Albecker, III ..... A47C 1/146  
297/377  
D370,135 S 5/1996 Meiners  
5,553,921 A \* 9/1996 Schenk ..... A47C 7/42  
297/252  
5,765,244 A \* 6/1998 Heidler ..... A47C 20/027  
5/630  
5,926,876 A 7/1999 Haigh et al.  
5,937,459 A 8/1999 Binaghi et al.  
D414,907 S \* 10/1999 Stelmarski ..... D32/58  
6,154,904 A 12/2000 Ehredt  
6,561,582 B1 5/2003 Steadman  
6,915,536 B2 7/2005 Chen  
7,025,421 B1 4/2006 Fowler et al.  
7,275,273 B2 10/2007 Lary et al.  
7,412,737 B2 8/2008 Hernadez  
7,478,445 B2 1/2009 De Vries  
D603,193 S \* 11/2009 Sandoval ..... D6/708.16  
8,146,190 B1 4/2012 Wolfe  
8,459,738 B2 6/2013 Downey  
D701,069 S 3/2014 Miller  
D798,641 S 10/2017 Miller  
D827,322 S \* 9/2018 Hairabedian ..... D6/392  
D832,015 S \* 10/2018 Deemer ..... D6/708.16  
2008/0066236 A1 \* 3/2008 Hernadez ..... A47C 20/027  
5/655

\* cited by examiner

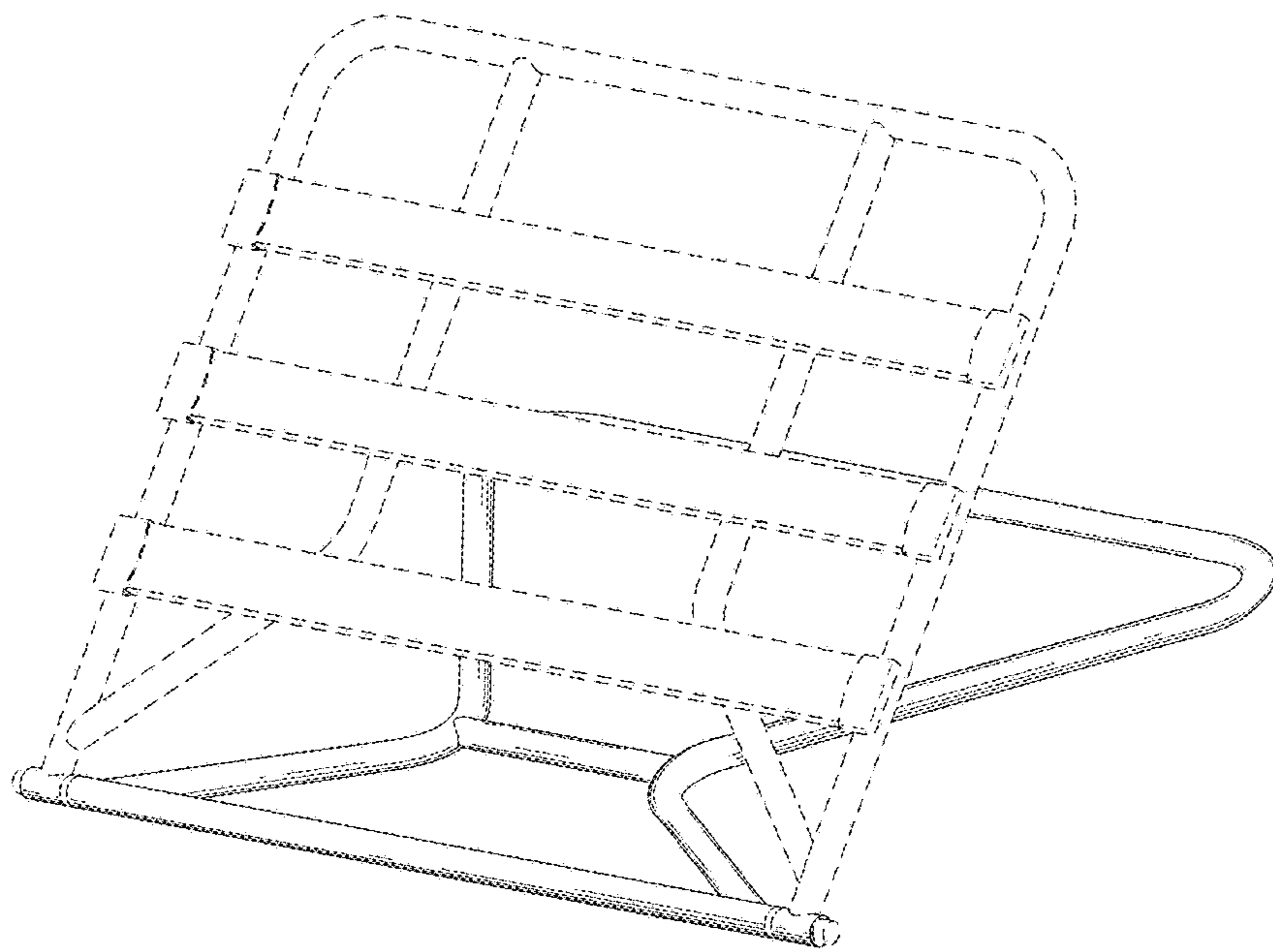


Fig. 1

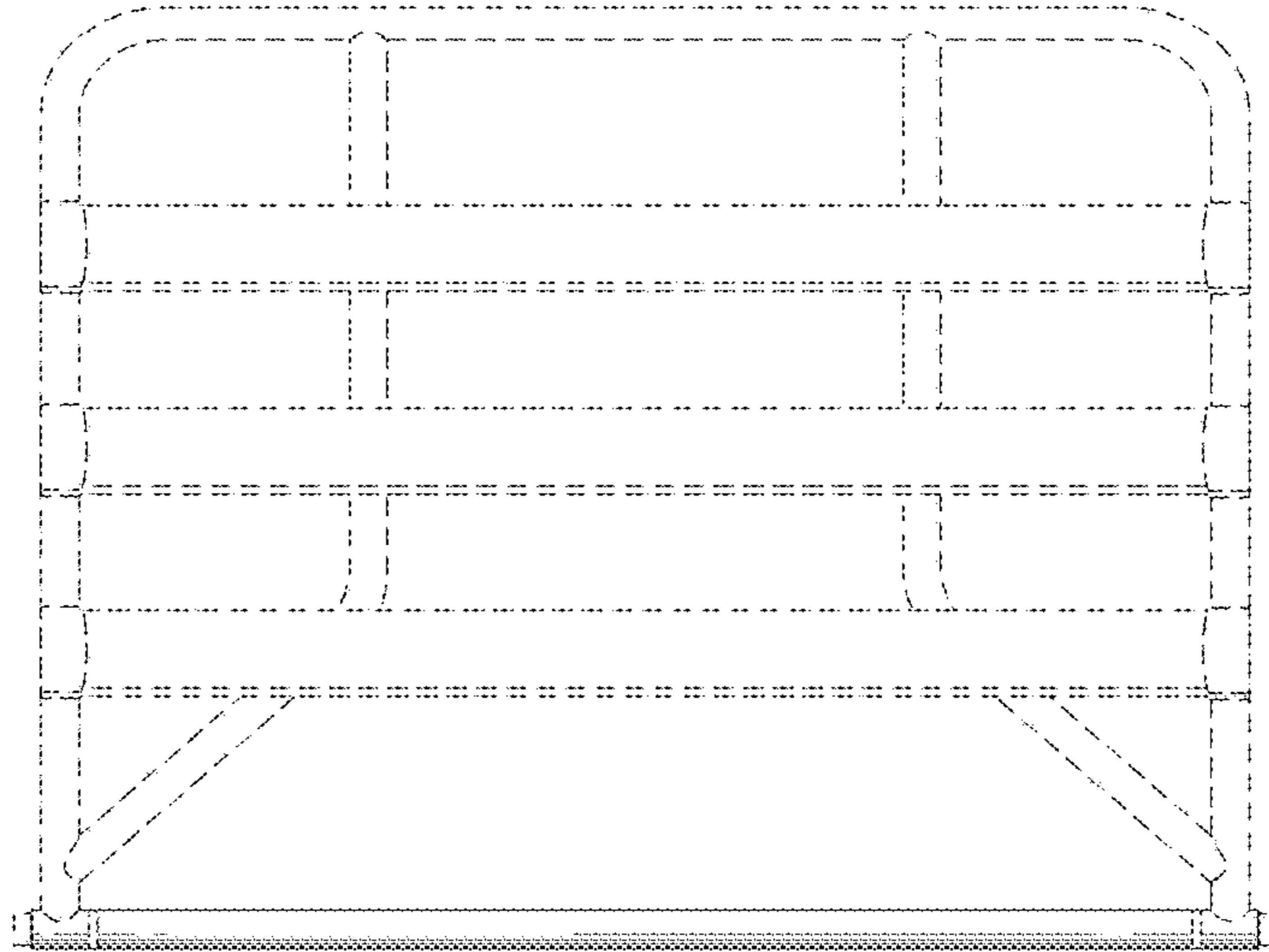


Fig. 2

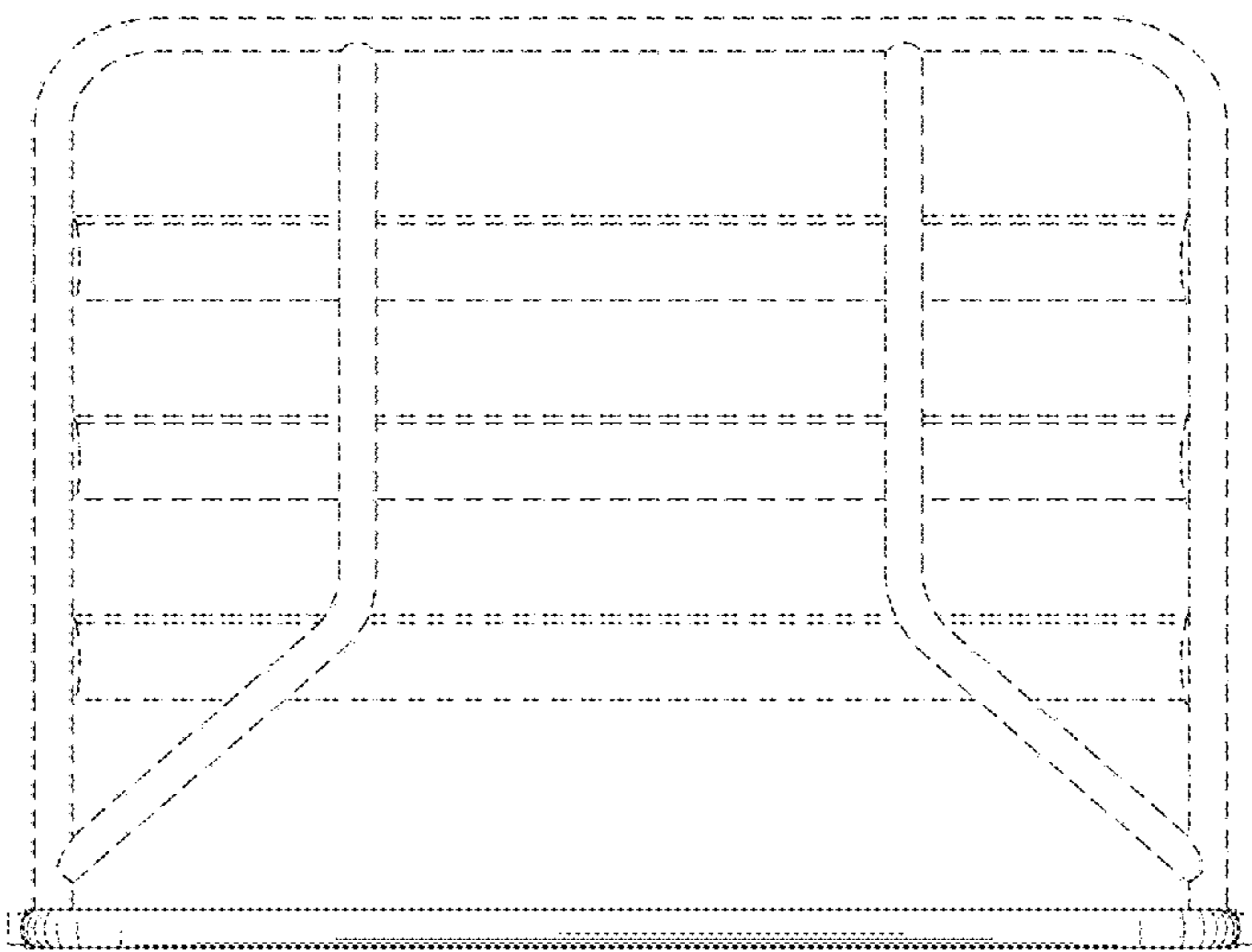


Fig. 3

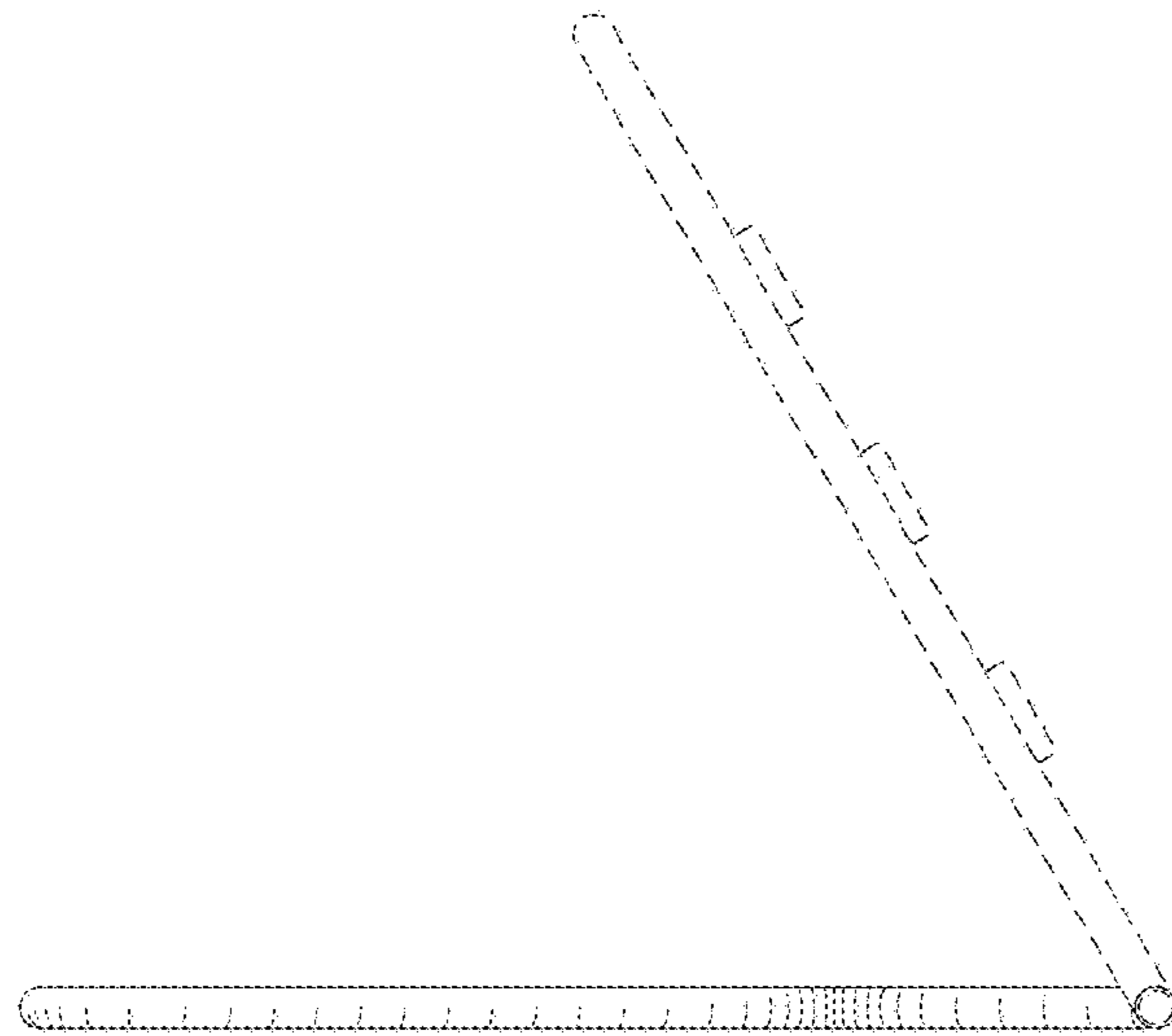


Fig. 4

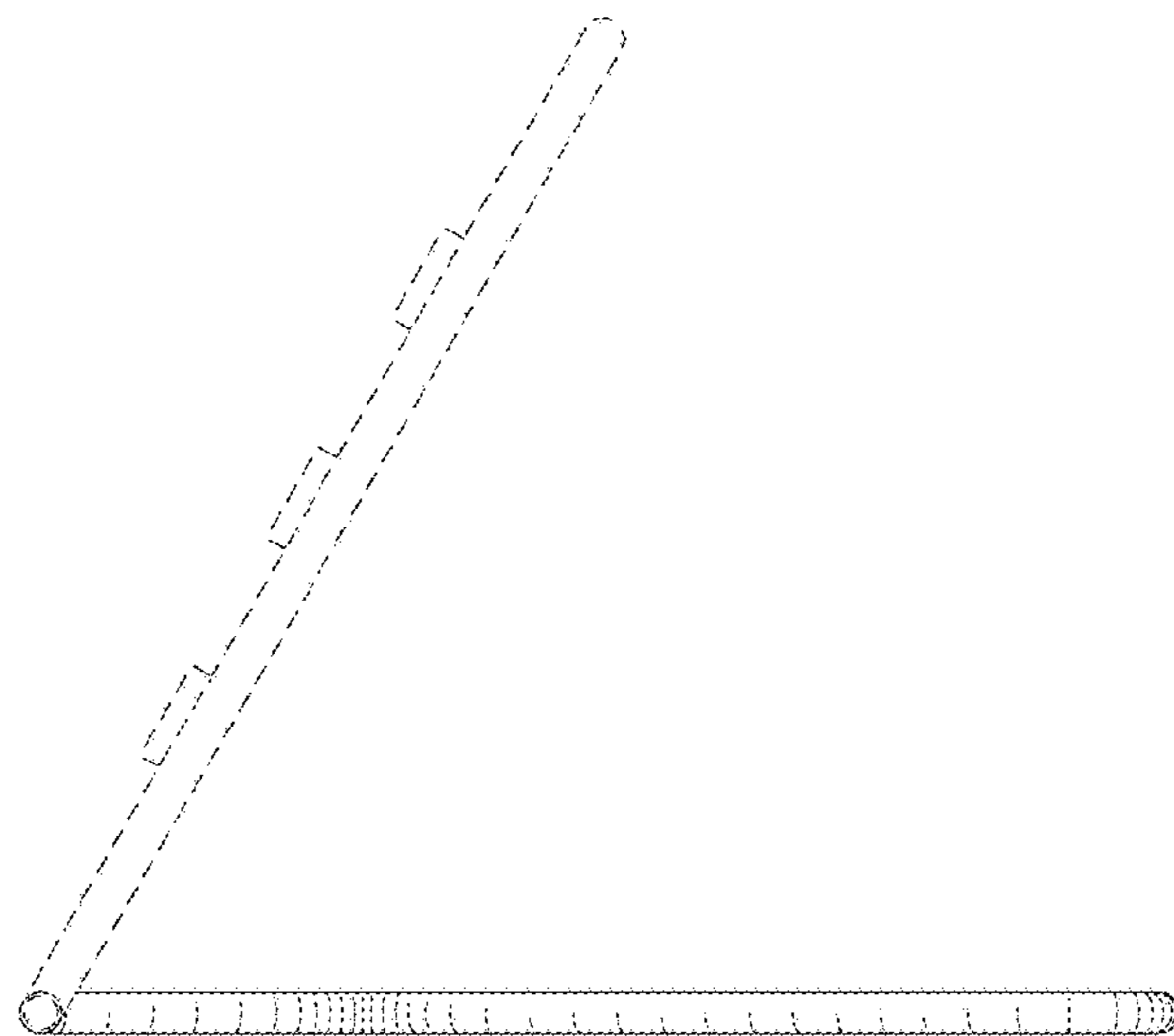


Fig. 5

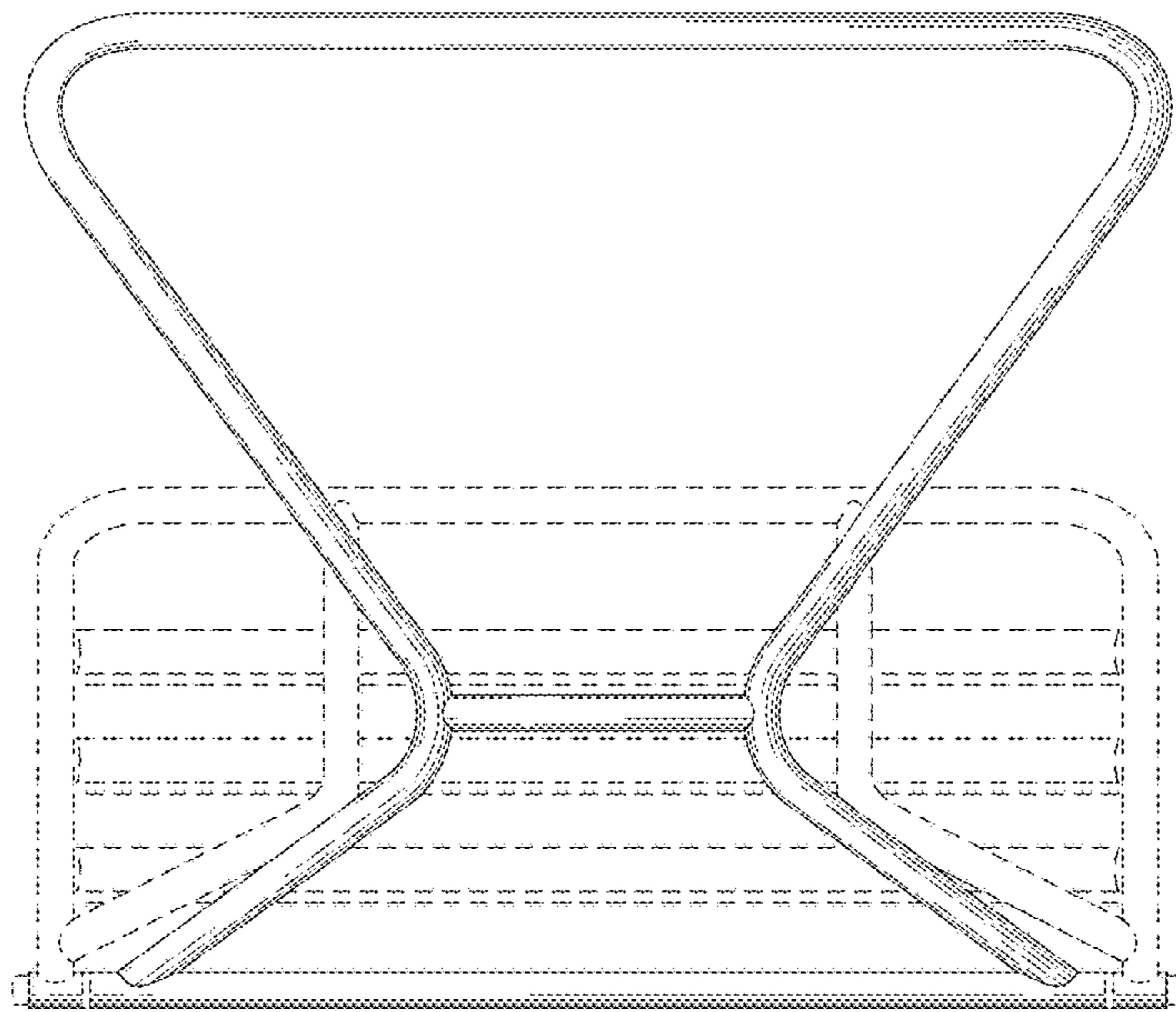


Fig. 6

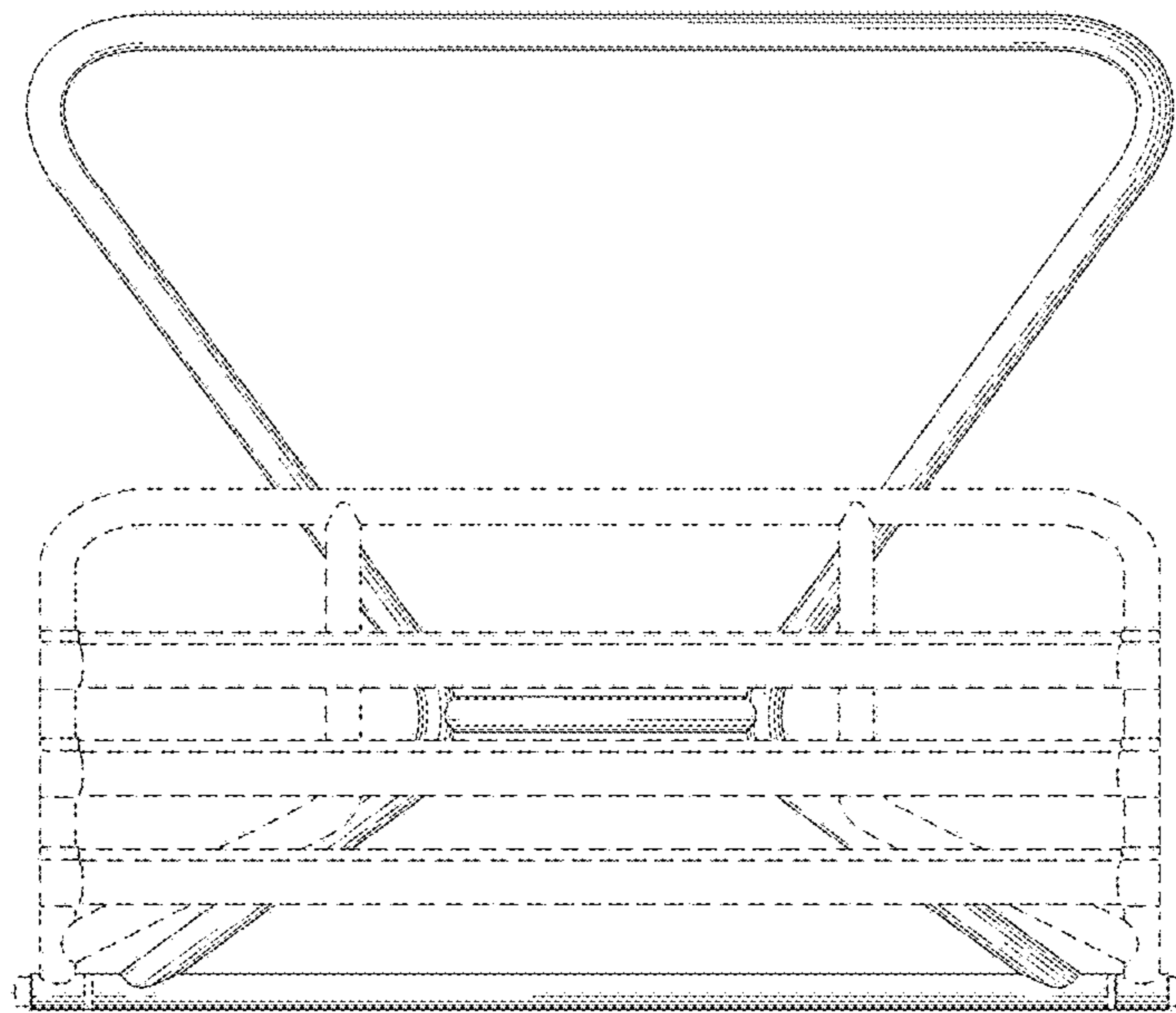


Fig. 7

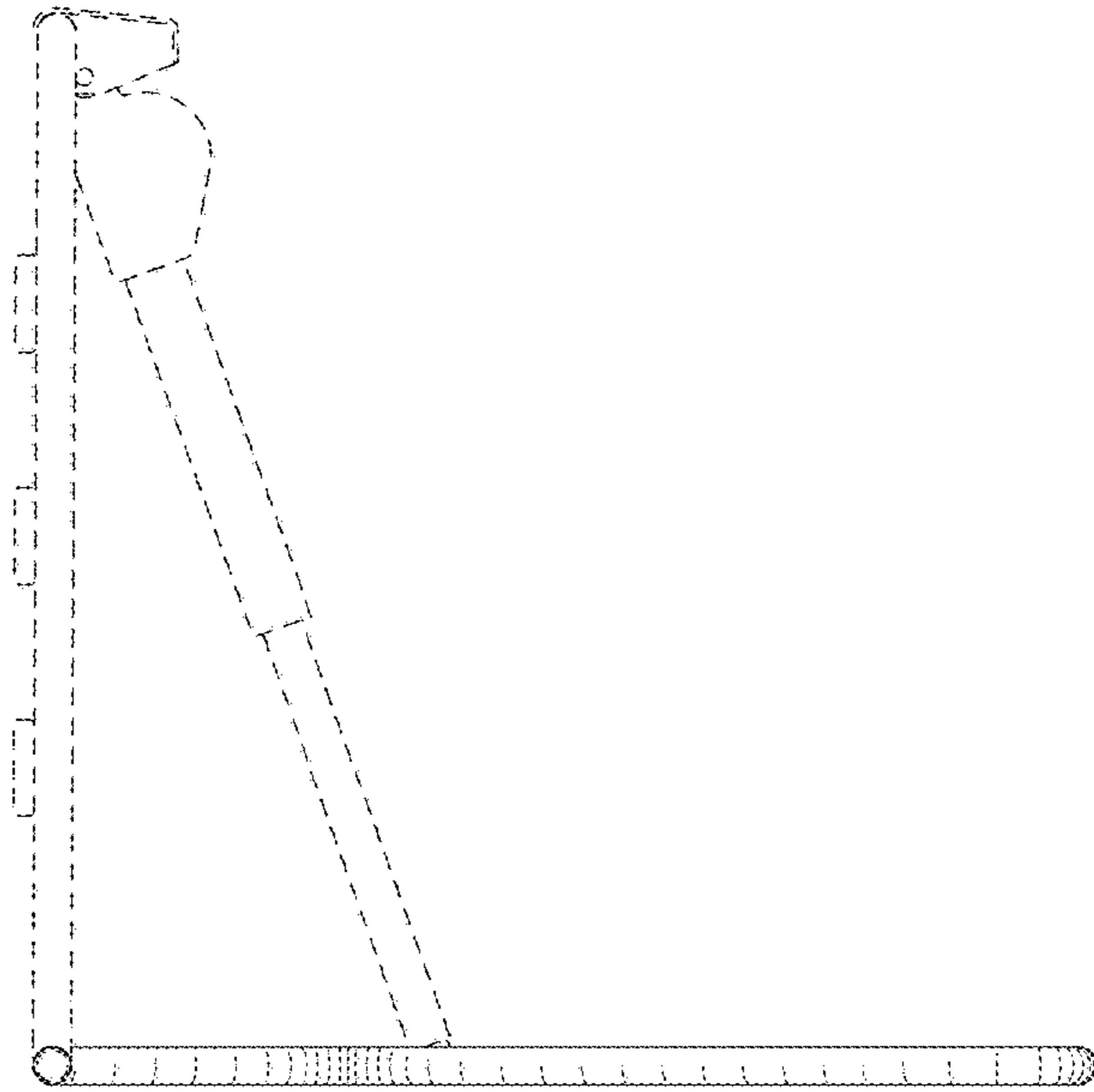


Fig. 8

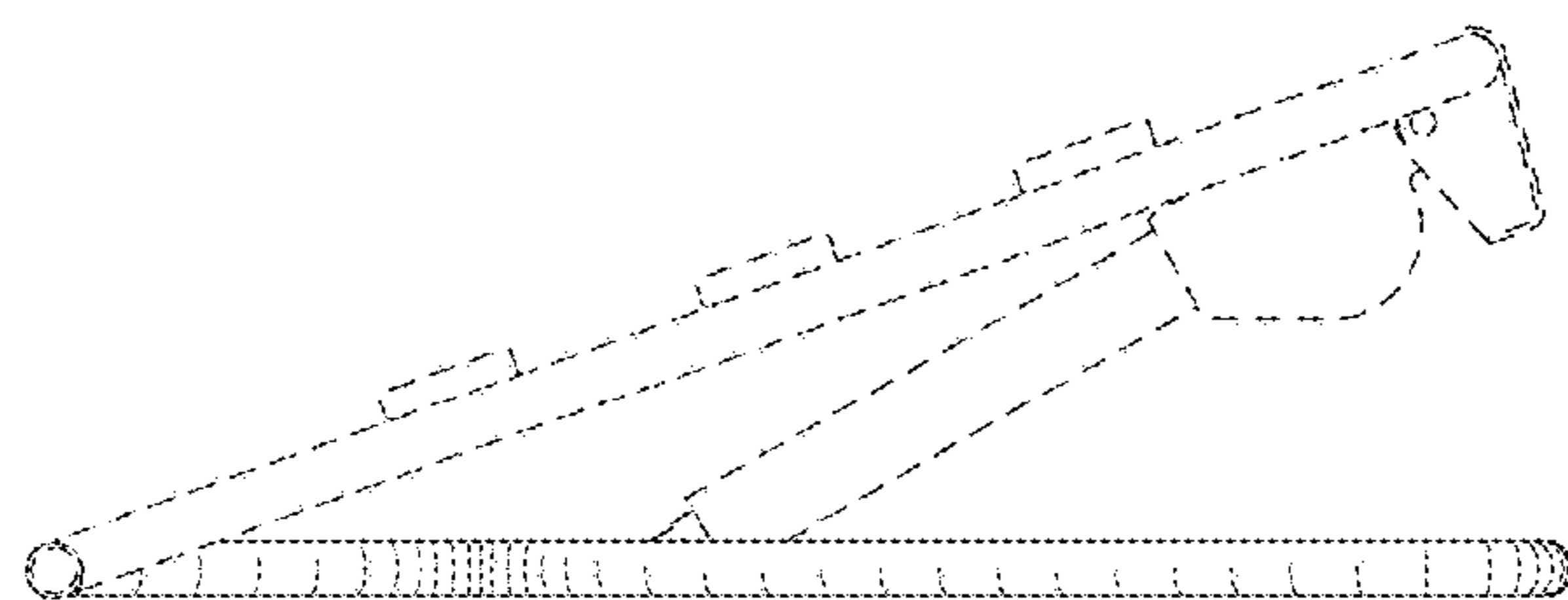


Fig. 9