

US00D846925S

(12) **United States Design Patent**
Handler et al.

(10) **Patent No.:** **US D846,925 S**
(45) **Date of Patent:** **** Apr. 30, 2019**

(54) **TABLE**

(71) Applicant: **Art Design Works LLC**, Lexington, MA (US)

(72) Inventors: **Sheryl Handler**, Cambridge, MA (US); **Carl Martinez**, Easton, PA (US); **Kelly Louise Casilio**, West Newton, MA (US); **Nadine M. Volicer**, Boston, MA (US)

(73) Assignee: **Art Design Works LLC**, Lexington, MA (US)

(**) Term: **15 Years**

(21) Appl. No.: **29/586,716**

(22) Filed: **Dec. 6, 2016**

Related U.S. Application Data

(62) Division of application No. 29/502,743, filed on Sep. 18, 2014, now Pat. No. Des. 781,629.

(51) **LOC (11) Cl.** **06-06**

(52) **U.S. Cl.**
USPC **D6/707.22**

(58) **Field of Classification Search**
USPC D6/641, 644, 650, 656, 685, 696, D6/696.1–696.7, 707, 707.22; D1/128; D20/11, 22, 23, 40; D24/189; D32/40, D32/43
CPC .. A47B 5/00; A47B 7/00; A47B 13/00; A47B 13/02; A47B 13/08; A47B 13/081; A47B 13/088; A47B 13/10; A47B 13/12; A47B 21/00; A47B 2200/0001; A47B 2200/0006

See application file for complete search history.

(56) **References Cited**

U.S. PATENT DOCUMENTS

D193,790 S 10/1962 Ohlsson
3,267,881 A * 8/1966 Saggione A47B 13/10
108/59

D207,851 S 6/1967 Separa
D244,734 S 6/1977 Laroye
D333,228 S 2/1993 Hosoe
D352,853 S 11/1994 Hosoe
(Continued)

OTHER PUBLICATIONS

U.S. Appl. No. 29/502,743, filed Sep. 18, 2014, Handler et al.
(Continued)

Primary Examiner — Mary Ann Calabrese

(74) *Attorney, Agent, or Firm* — Wolf, Greenfield & Sacks, P.C.

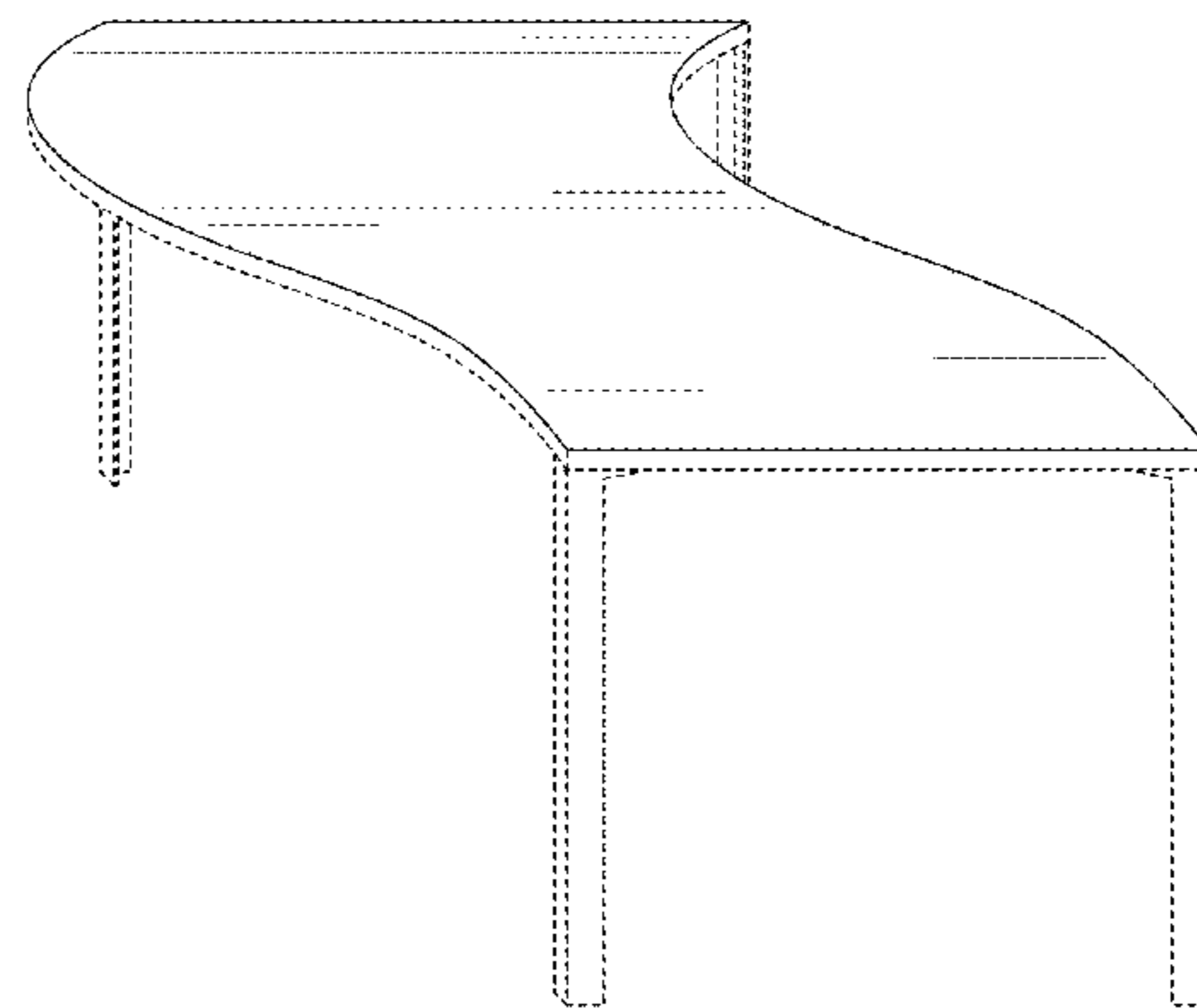
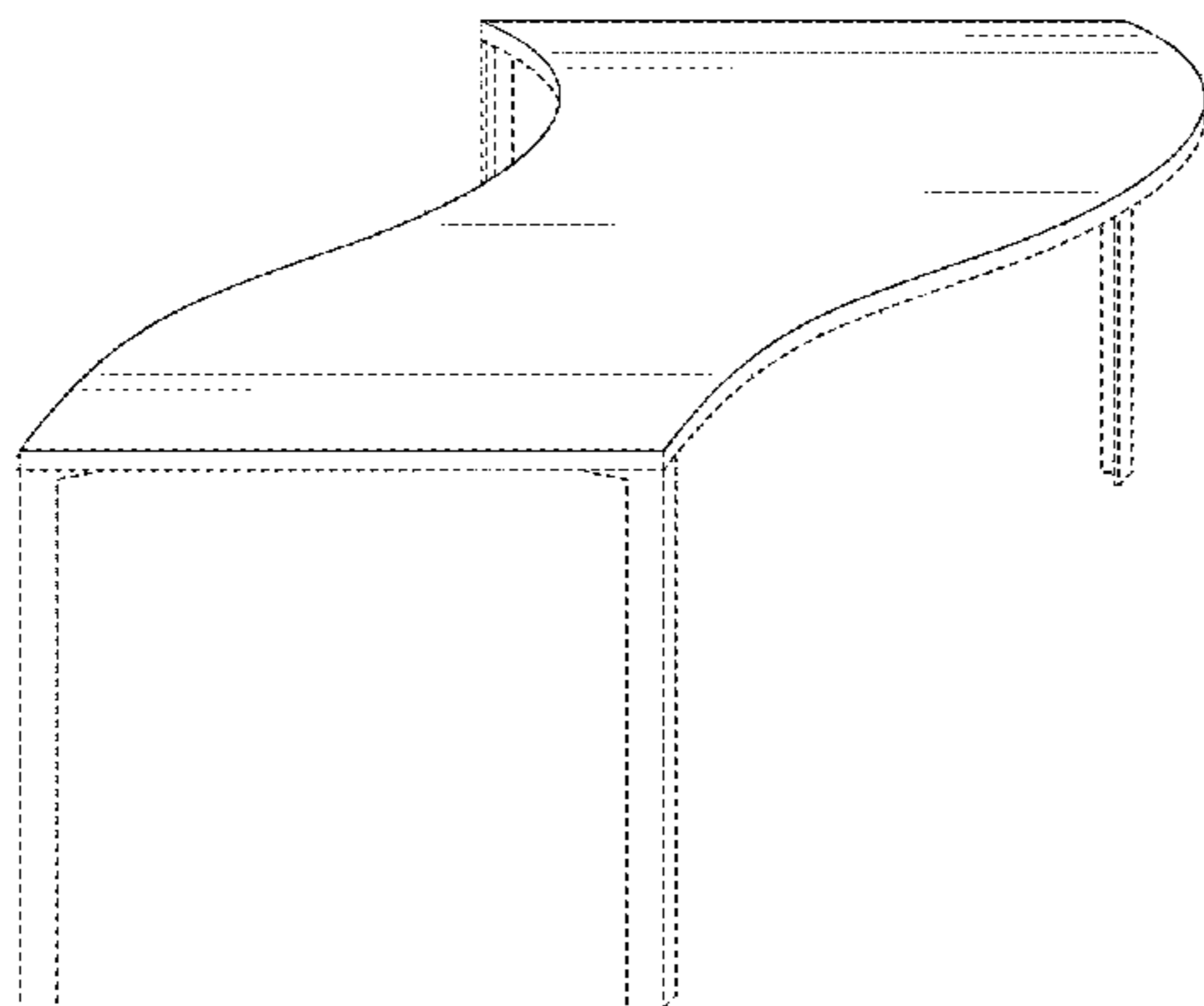
(57) **CLAIM**

The ornamental design for a table, as shown and described.

DESCRIPTION

FIG. 1 is a top, front, right perspective view showing a first embodiment of our new design;
FIG. 2 is a front elevational view thereof;
FIG. 3 is a rear elevational view thereof;
FIG. 4 is a left side elevational view thereof;
FIG. 5 is a right side elevational view thereof;
FIG. 6 is a top plan view thereof;
FIG. 7 is a bottom plan view thereof;
FIG. 8 is a top, front, left perspective view showing a second embodiment thereof;
FIG. 9 is a front elevational view of FIG. 8;
FIG. 10 is a rear elevational view FIG. 8;
FIG. 11 is a left side elevational view FIG. 8;
FIG. 12 is a right side elevational view FIG. 8;
FIG. 13 is a top plan view FIG. 8; and,
FIG. 14 is a bottom plan view FIG. 8.
The broken lines show portions of the table that form no part of the claimed design.

1 Claim, 12 Drawing Sheets



(56)

References Cited

U.S. PATENT DOCUMENTS

D383,924 S 9/1997 Dormon et al.
 D388,639 S 1/1998 Dormon et al.
 D390,381 S 2/1998 Dormon et al.
 D414,813 S * 10/1999 Browning D20/22
 D417,094 S 11/1999 Schwartz
 D449,750 S 10/2001 Antonioni
 6,363,866 B1 4/2002 Schwartz
 D501,741 S 2/2005 Risdall
 D524,580 S 7/2006 Chang
 D527,209 S 8/2006 Nicoletti
 D528,658 S * 9/2006 Mueller D24/189
 7,249,741 B1 * 7/2007 Larson A47B 13/02
 108/150
 D556,966 S * 12/2007 Herbrand D32/40
 D559,580 S 1/2008 Newhouse et al.
 D562,461 S * 2/2008 Nash D24/189
 D572,505 S 7/2008 Davis
 D576,823 S 9/2008 Derocher et al.
 D577,167 S * 9/2008 Bogaerts D32/40
 D580,553 S * 11/2008 Nash D24/189
 D604,469 S * 11/2009 Rolstad A47B 13/02
 D32/40
 D611,727 S 3/2010 Vail
 D659,327 S * 5/2012 Davis D32/40

D670,089 S 11/2012 Frobose et al.
 D703,984 S 5/2014 Nasser et al.
 D752,316 S * 3/2016 Gil D1/128
 D781,629 S * 3/2017 Handler D6/707.22
 D793,136 S * 8/2017 Grano D6/697.1

OTHER PUBLICATIONS

U.S. Appl. No. 29/586,723, filed Dec. 6, 2016, Handler et al.
 U.S. Appl. No. 29/586,725, filed Dec. 2, 2016, Handler et al.
 Brisk Desk Systems. Dcwebtools.com (online). 2005 [retrieved Jul. 18, 2016]. Retrieved from the Internet: <URL:http://www.dcwebtools.com/sw/swchannel/images/ProductCatalog/ProductPage/File/ACF41A.pdf>.
 Correll FS3096S 30"x96" Granite Gray Plastic Serpentine Fold in Half Table. Webstaurantstore.com [online]. Earliest date Mar. 11, 2013 [retrieved Jul. 18, 2016]. Retrieved from the internet: <URL:http://www.webstaurantstore.com/...rdbljtxm8up_uwsjadu_8pwy3szrrzwsvdgaa2gvfgrry gekwgj2bxqc7qdlevujhocp4rw_wcb>.
 Curve TV Stand by Off the Wall. Wayfair.com [online]. Nov. 3, 2015 [retrieved Jul. 18, 2016]. Retrieved from the Internet: <URL:https://www.wayfair.com/Curve-TV-Stand-CRV-1500-OFTW1006.html?source=hotdeals>.

* cited by examiner

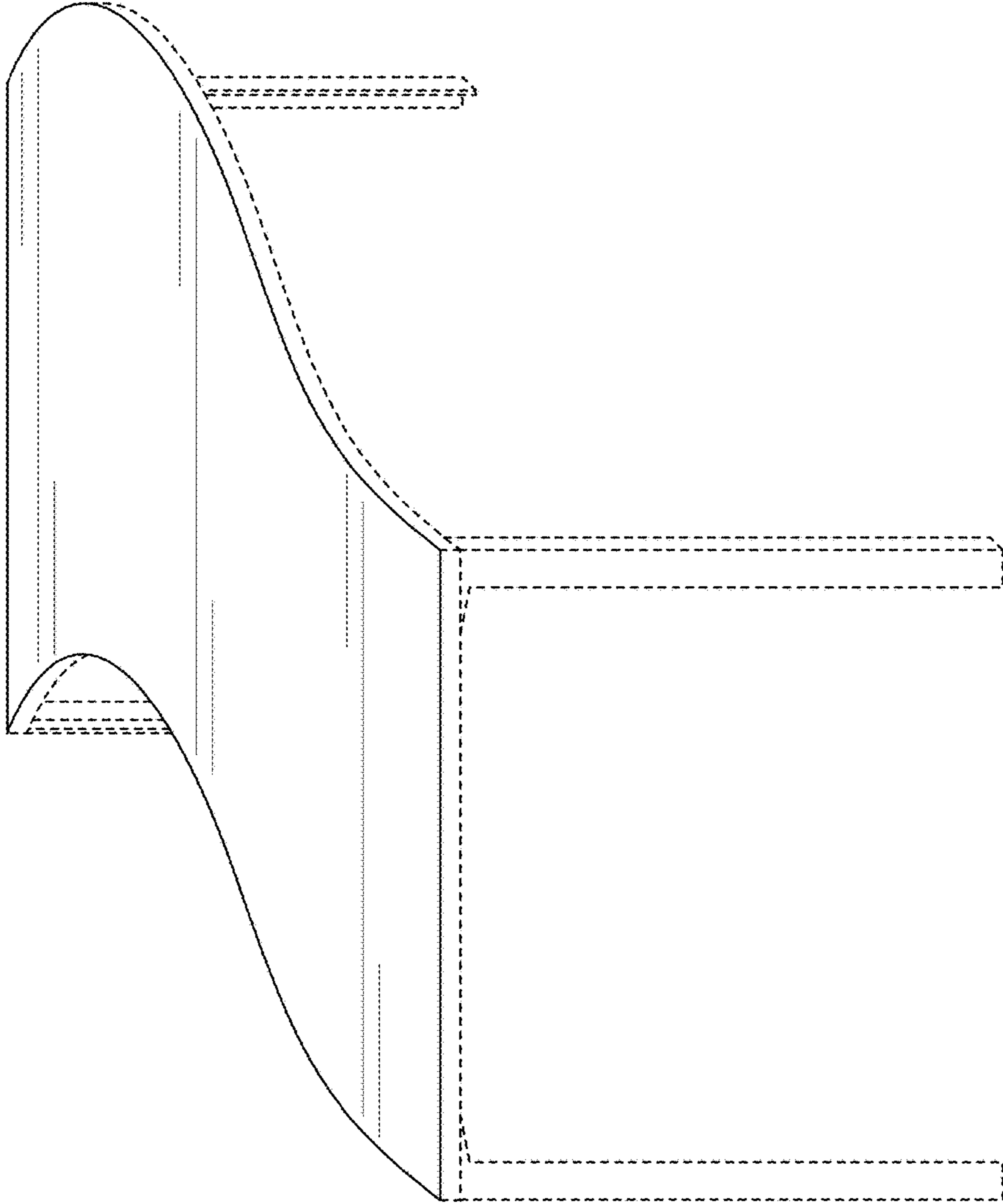


FIG. 1

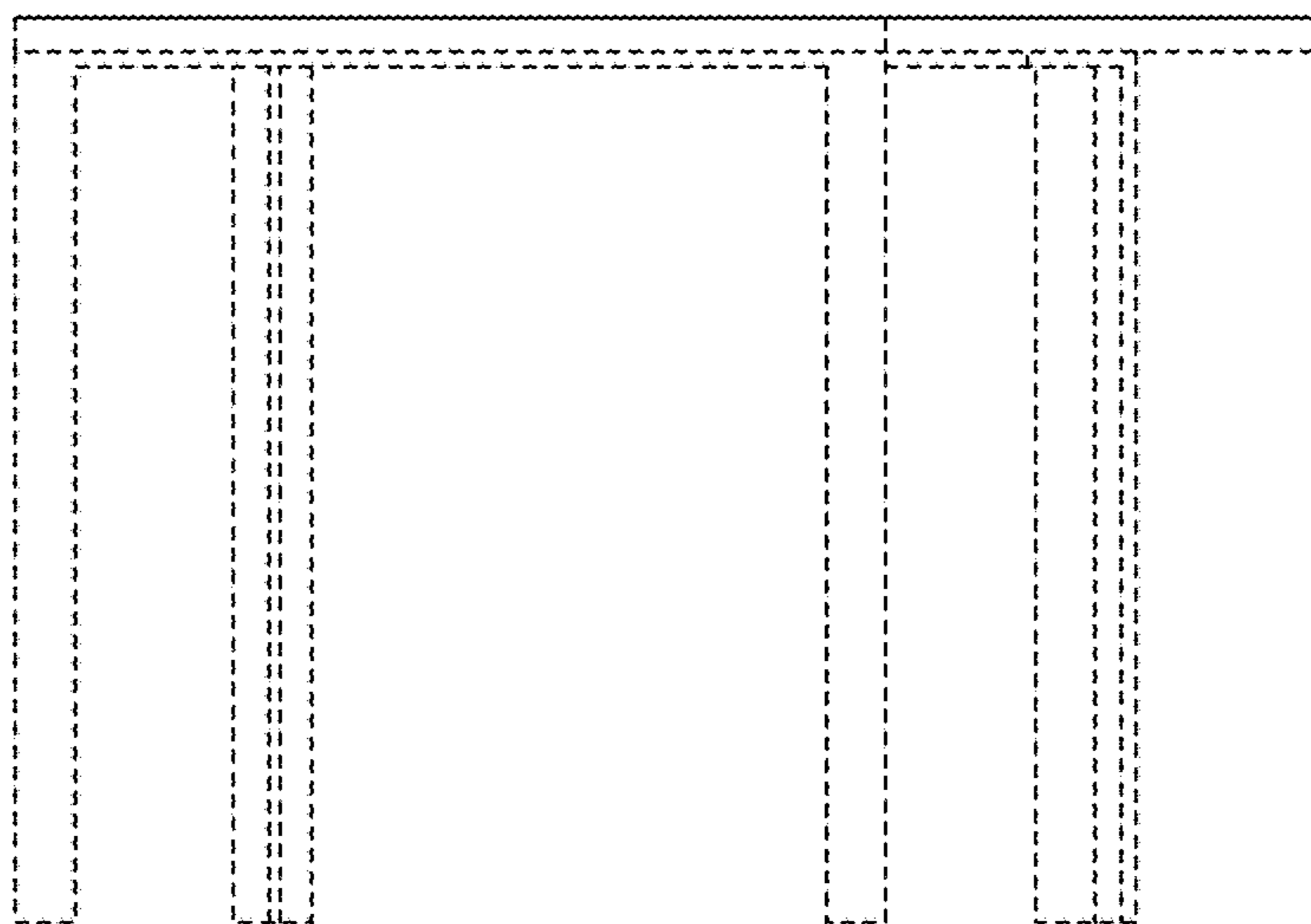


FIG. 2

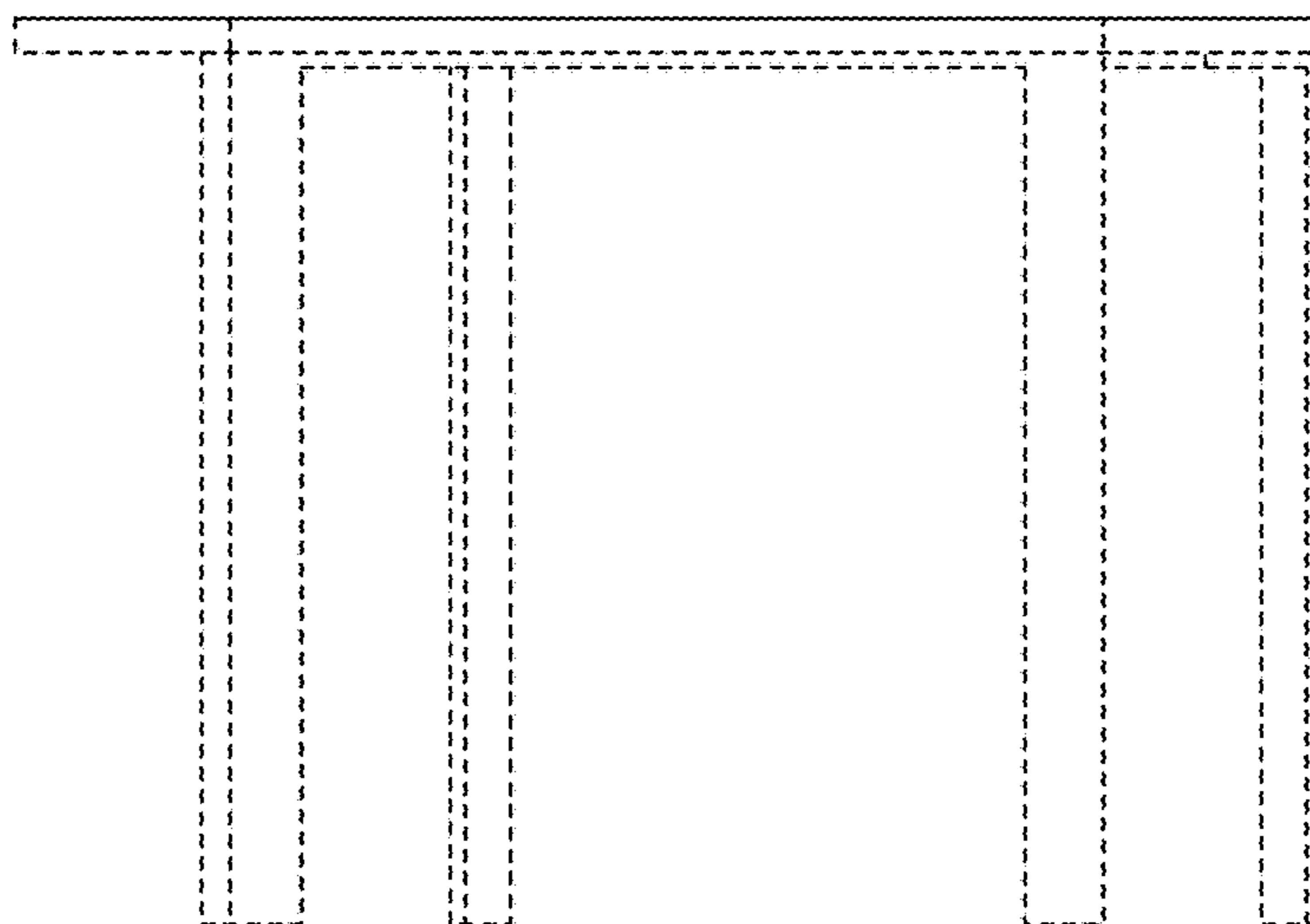


FIG. 3

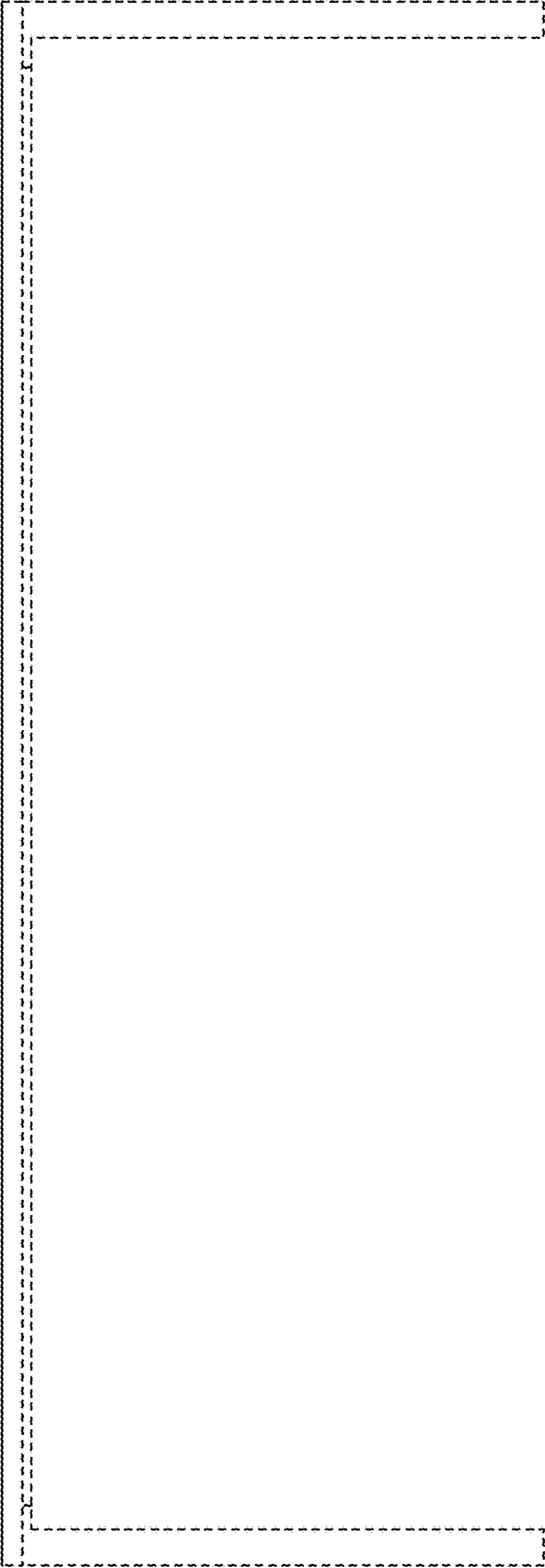


FIG. 4

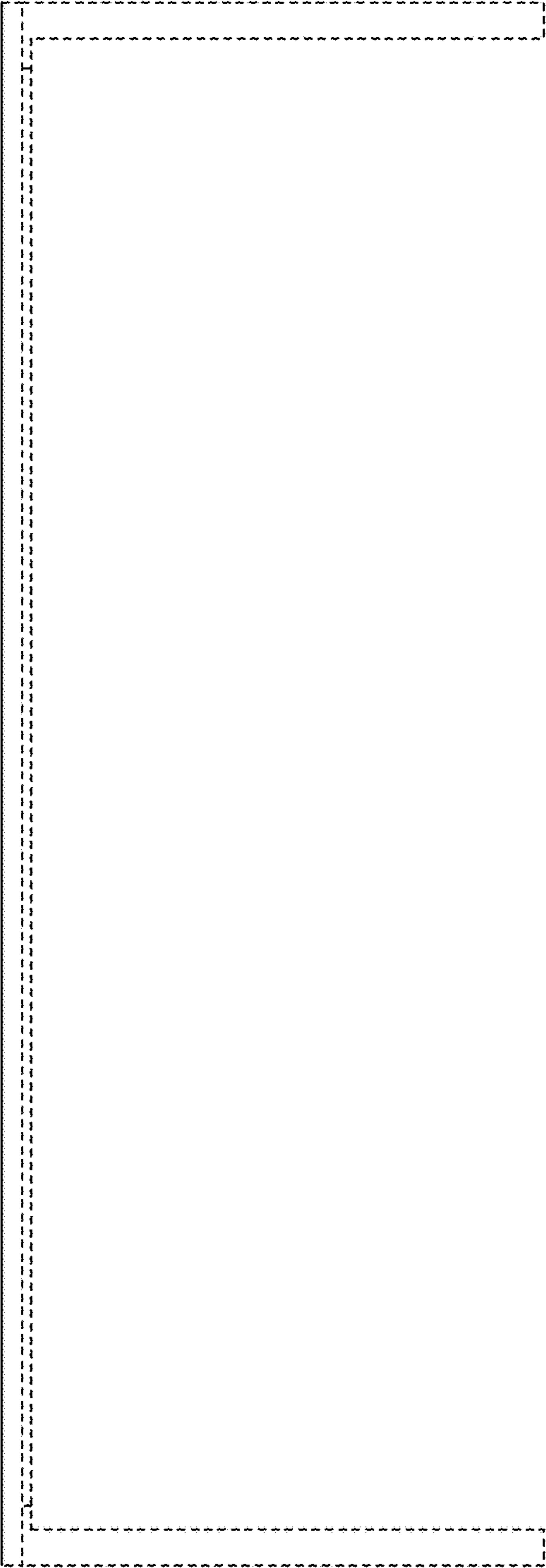


FIG. 5

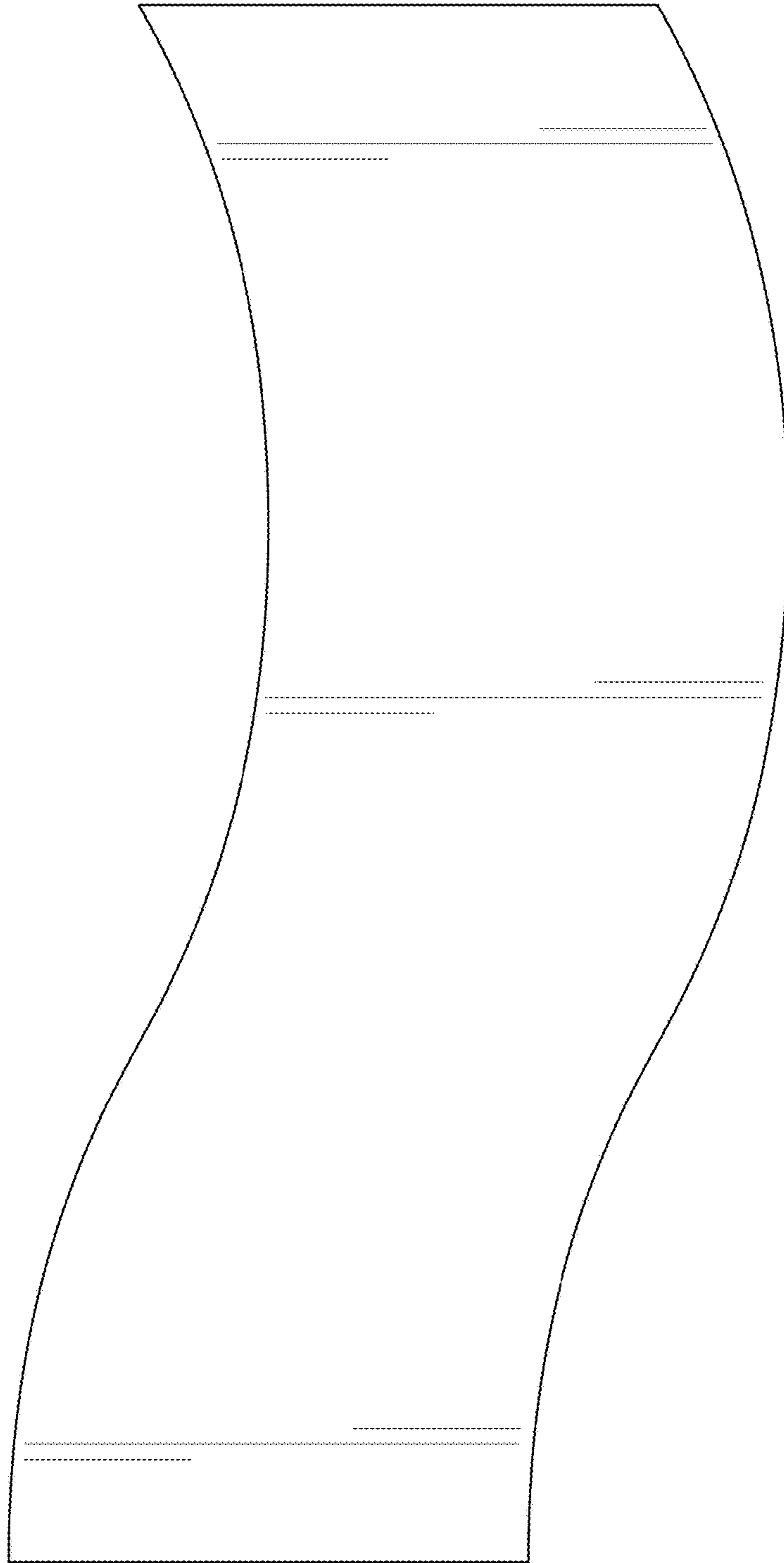


FIG. 6

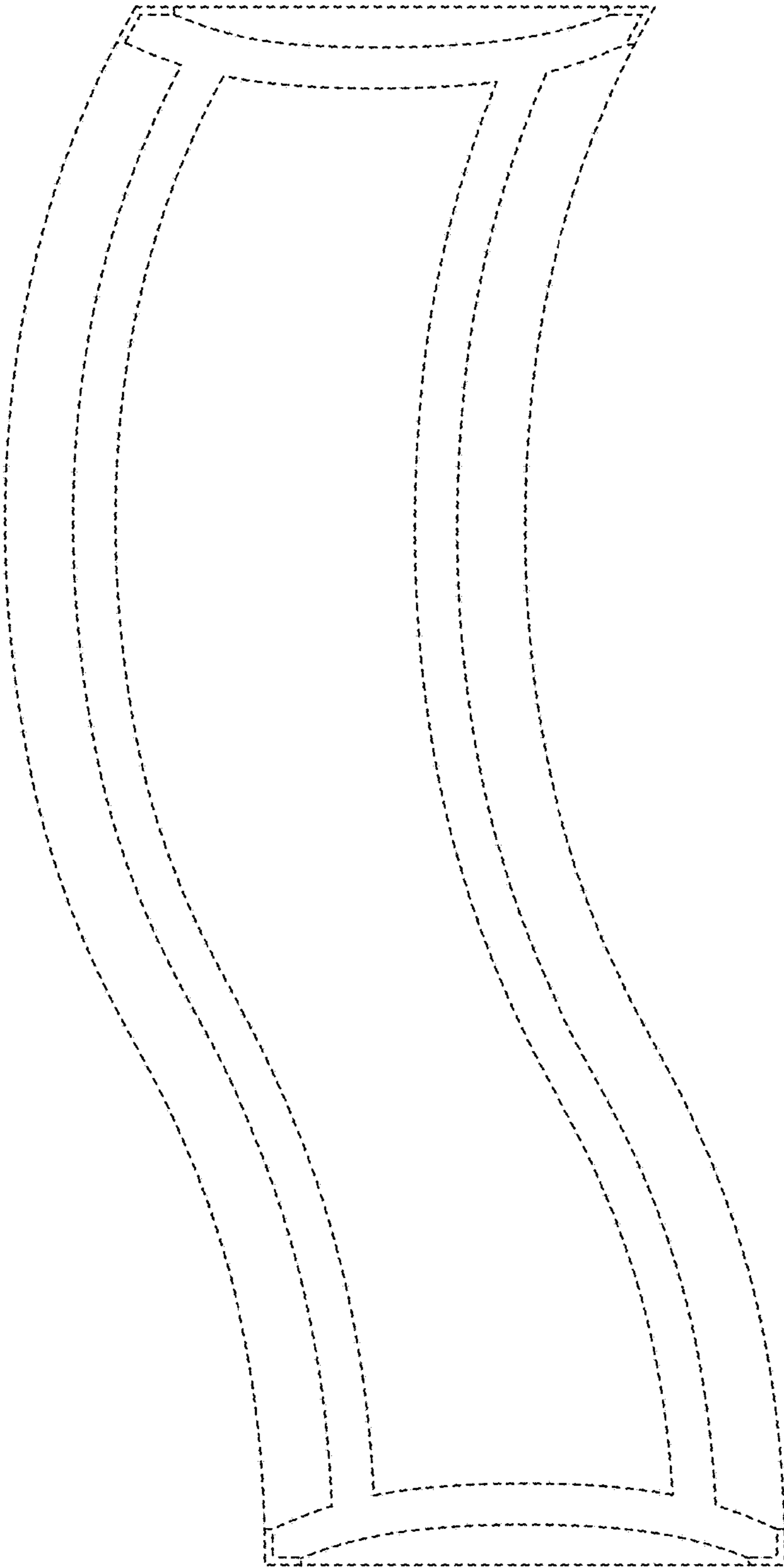


FIG. 7

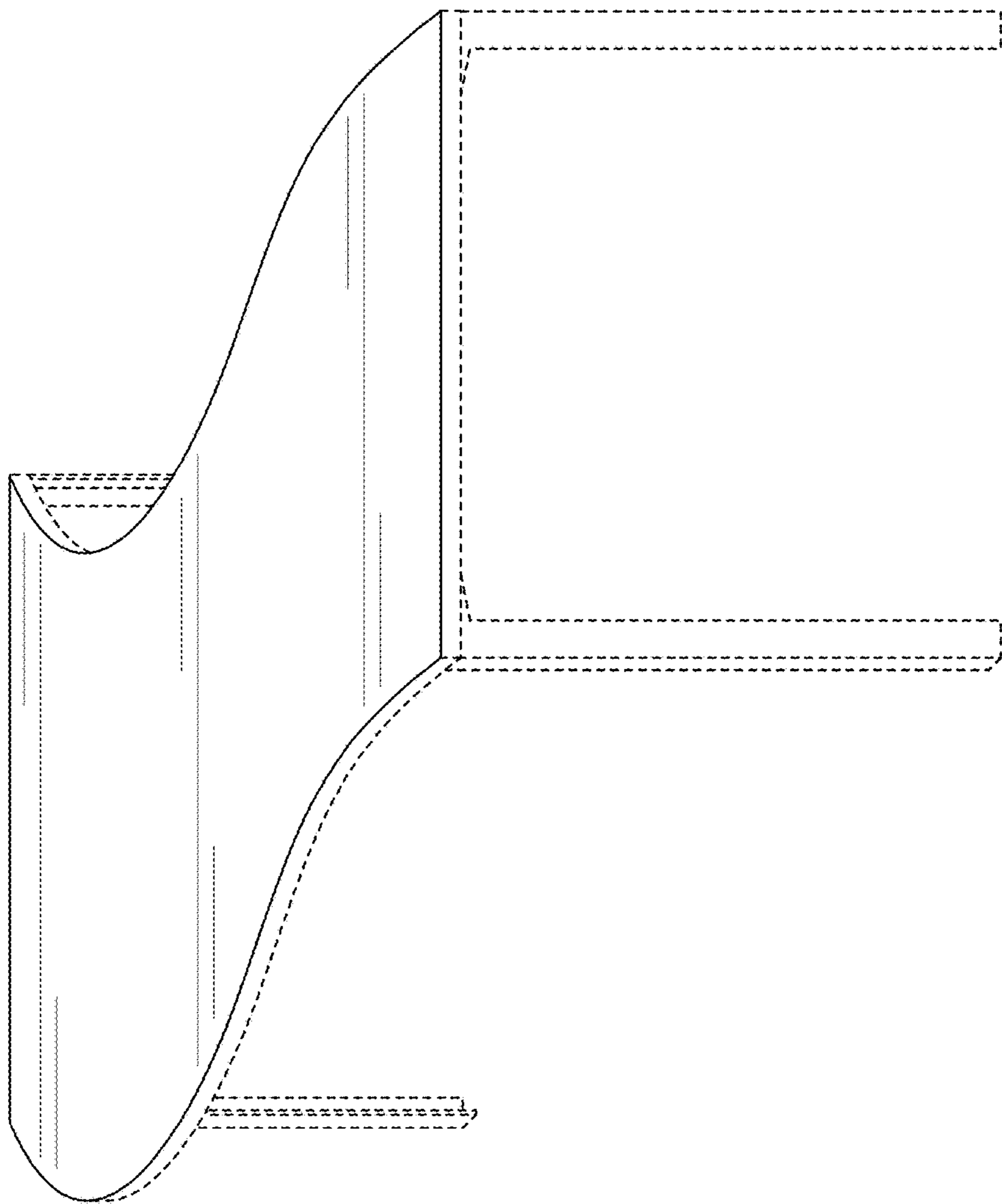


FIG. 8

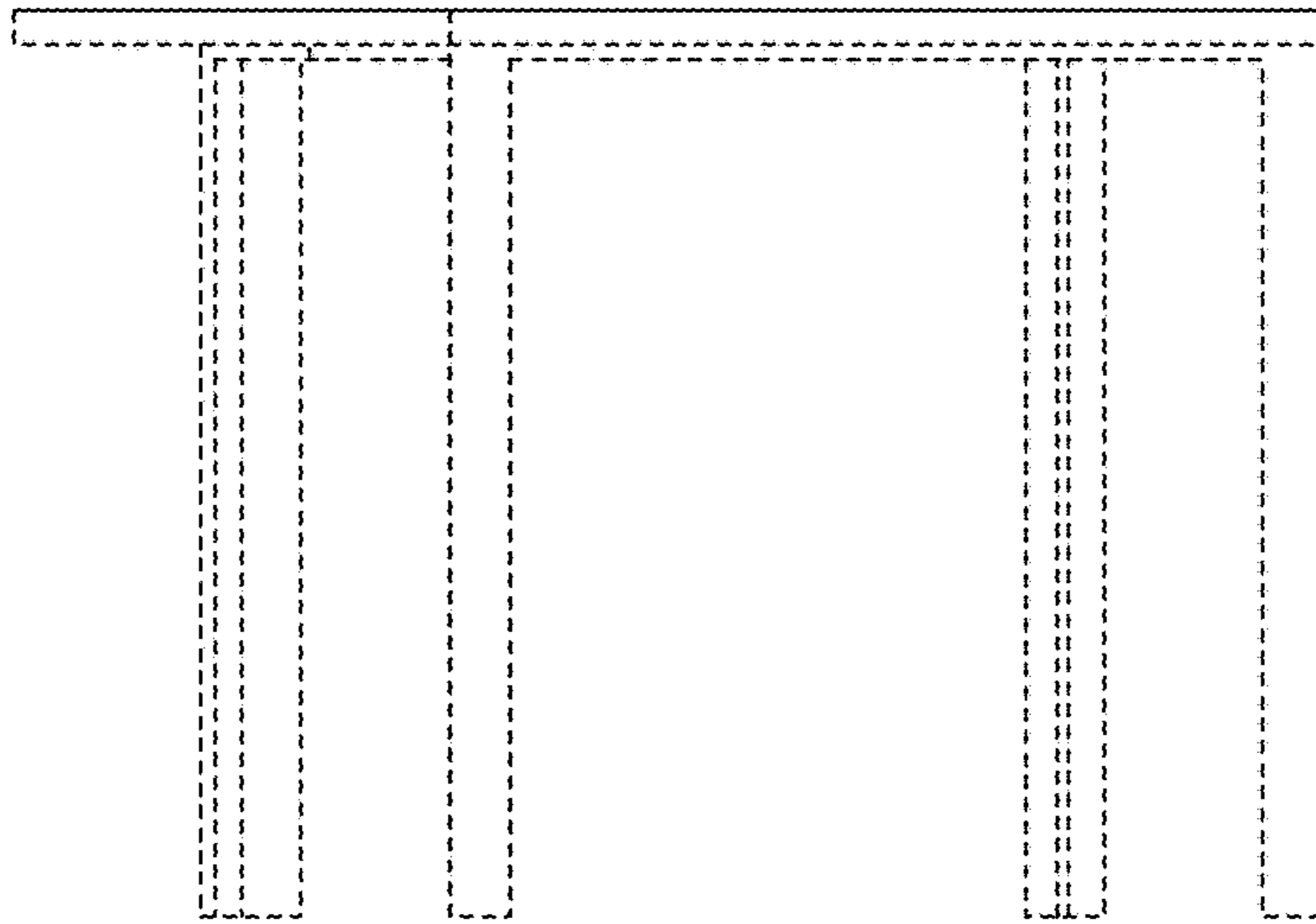


FIG. 9

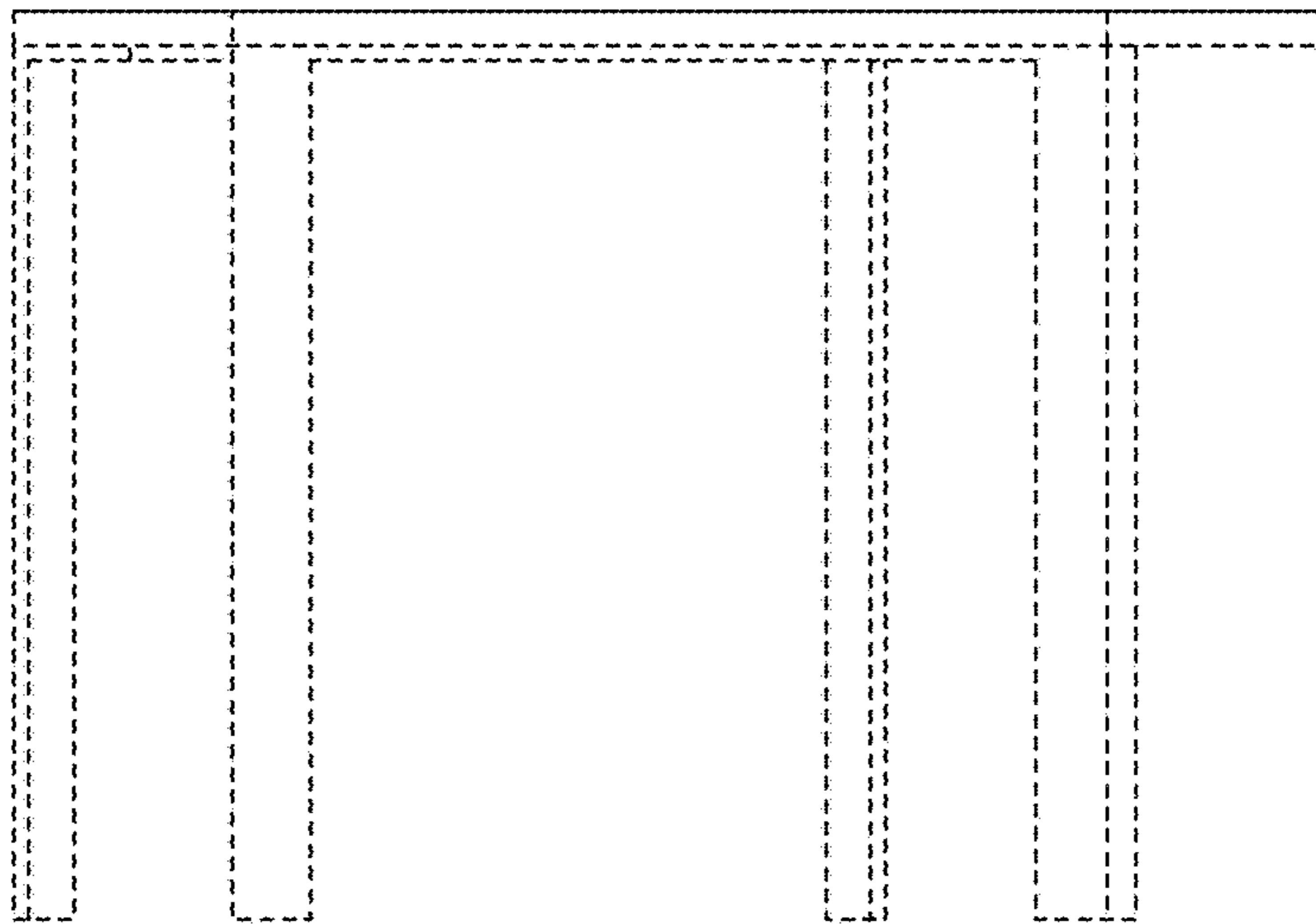


FIG. 10

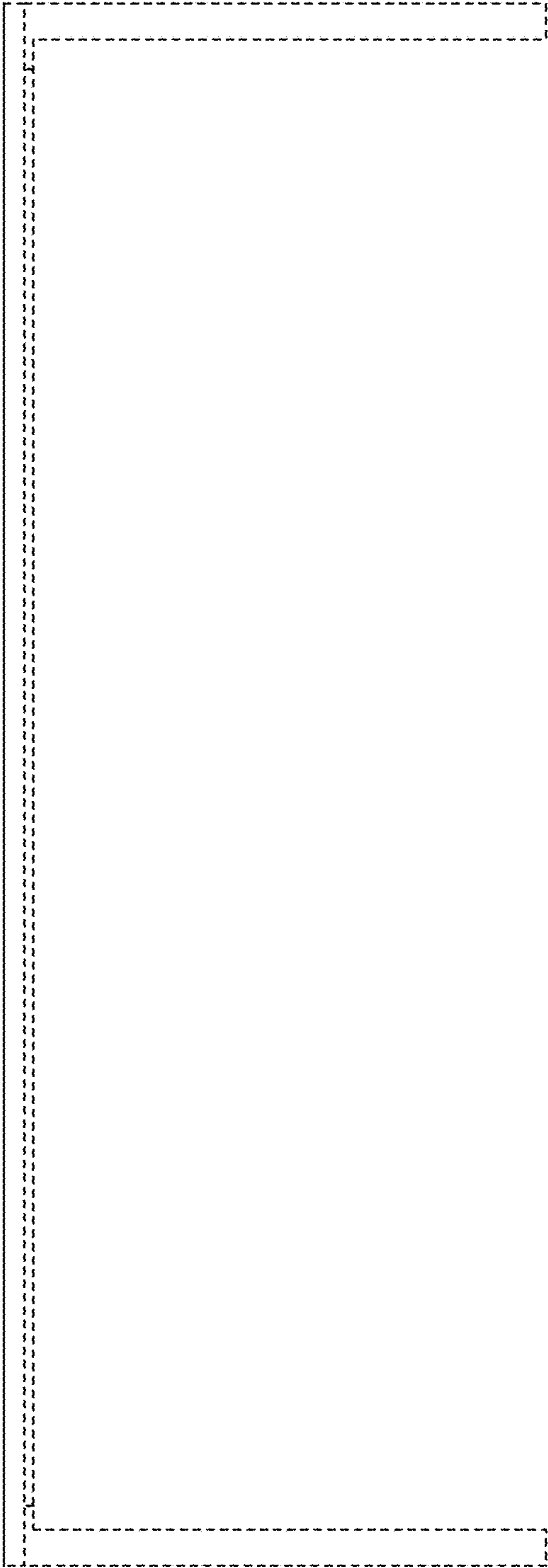


FIG. 11

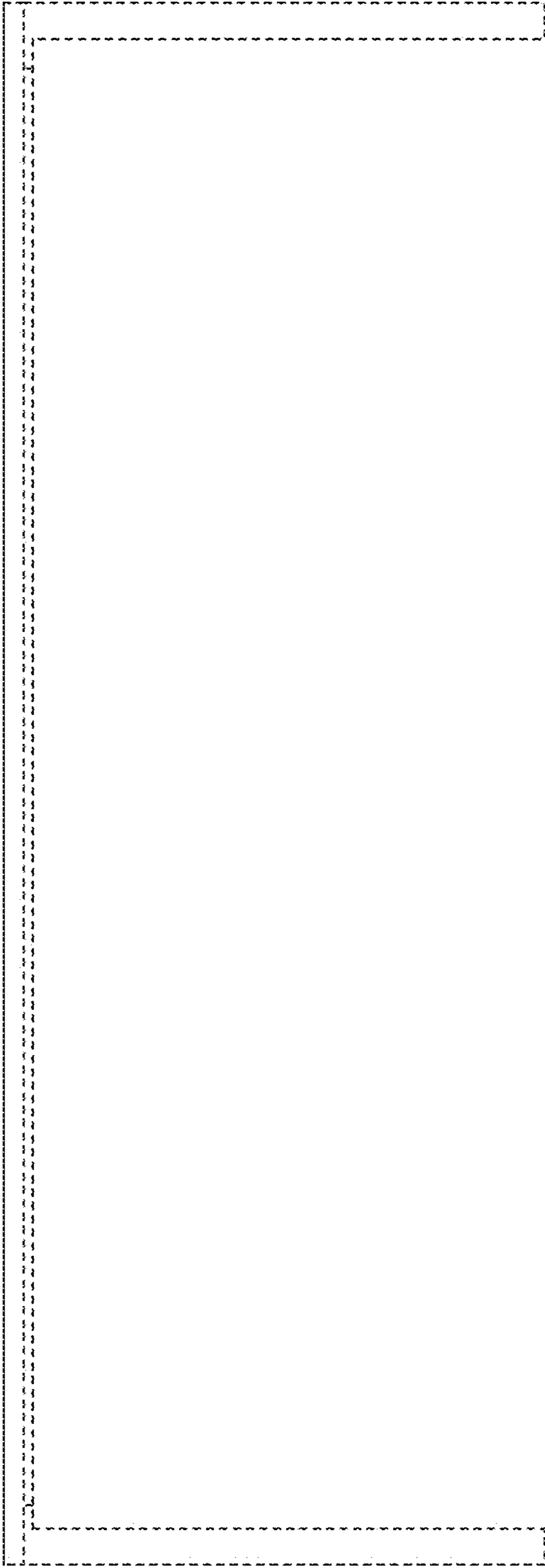


FIG. 12

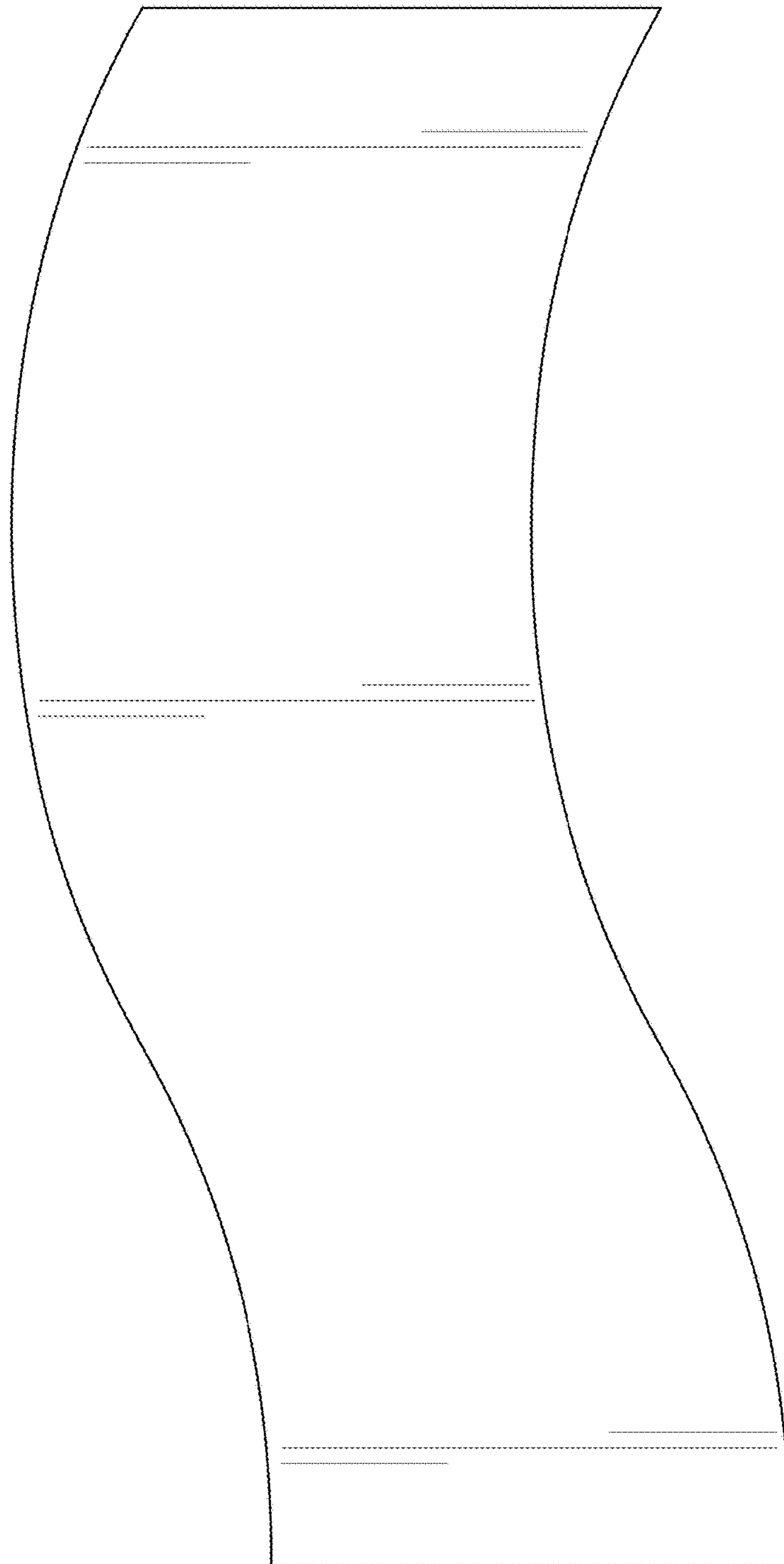


FIG. 13

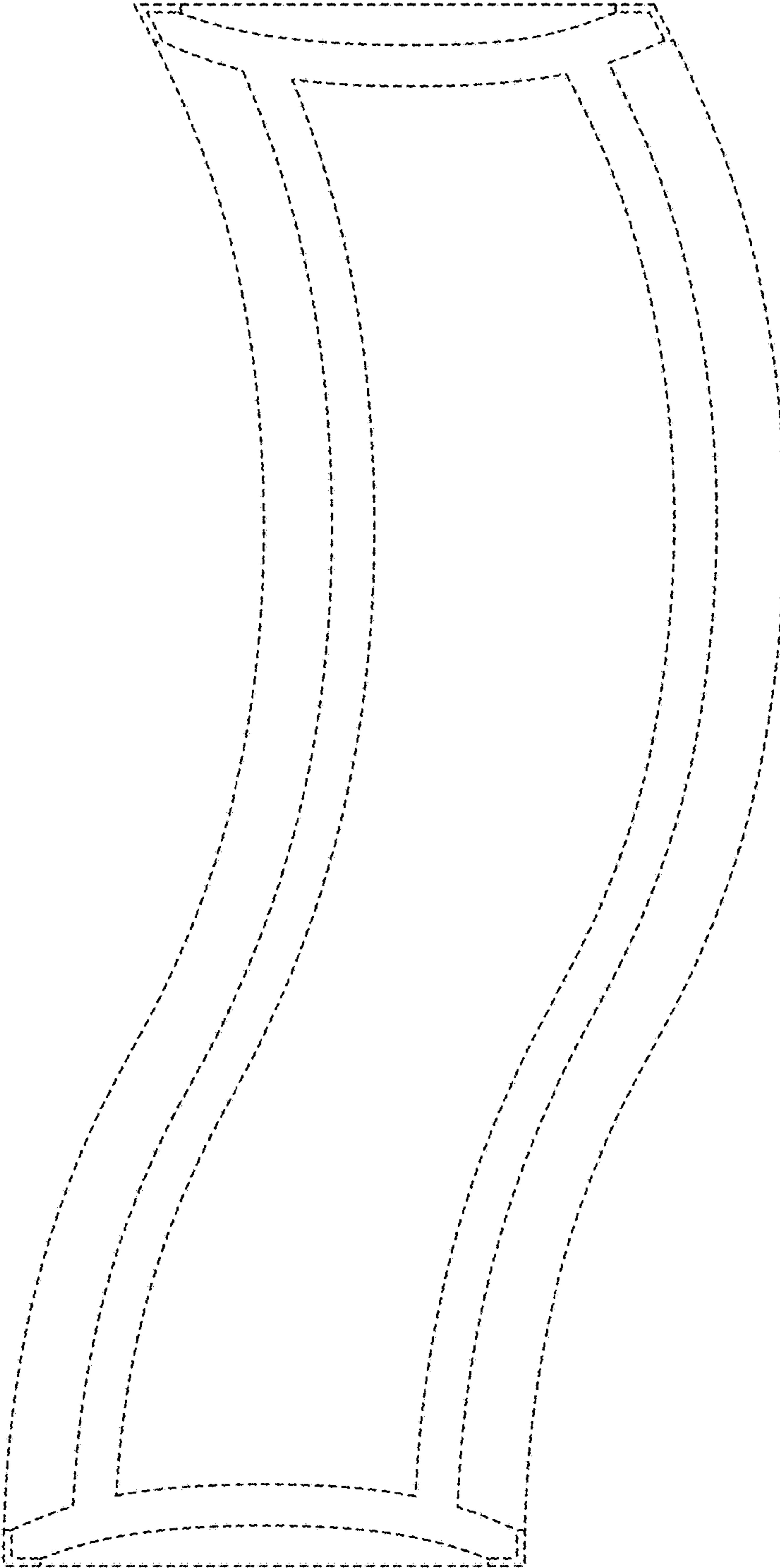


FIG. 14

UNITED STATES PATENT AND TRADEMARK OFFICE
CERTIFICATE OF CORRECTION

PATENT NO. : D846,925 S
APPLICATION NO. : 29/586716
DATED : April 30, 2019
INVENTOR(S) : Sheryl Handler et al.

Page 1 of 1

It is certified that error appears in the above-identified patent and that said Letters Patent is hereby corrected as shown below:

On the Title Page

Column 2, in the DESCRIPTION section, beginning at FIG 9, should read:

In FIG. 9, replace “if” with --is--

In FIG. 10, insert --of-- after “view” and before “FIG. 8;”

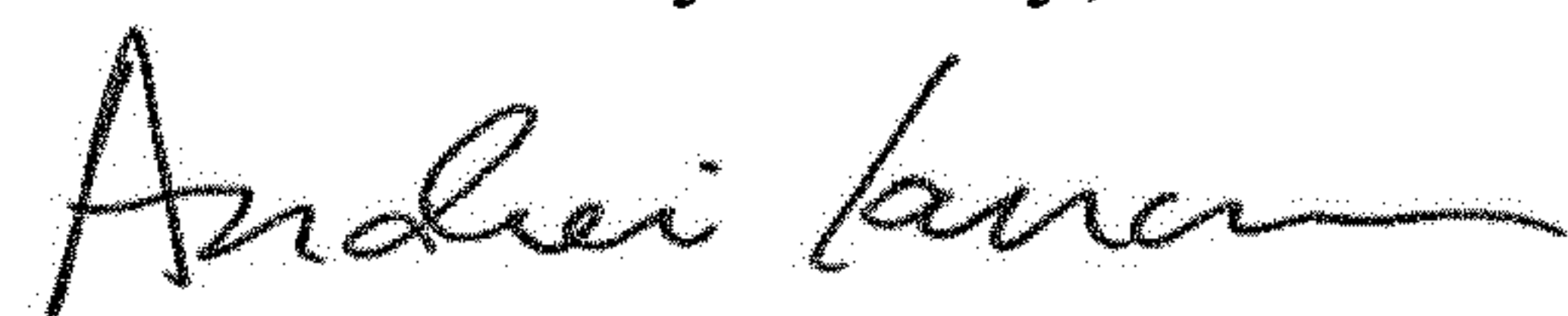
In FIG. 11, insert --of-- after “view” and before “FIG. 8;”

In FIG. 12, insert --of-- after “view” and before “FIG. 8;”

In FIG. 13, insert --of-- after “view” and before “FIG. 8;”

In FIG. 14, insert --of-- after “view” and before “FIG. 8;”

Signed and Sealed this
Ninth Day of July, 2019



Andrei Iancu
Director of the United States Patent and Trademark Office