

US00D846924S

(12) **United States Design Patent** (10) **Patent No.:** **US D846,924 S**  
**Velez** (45) **Date of Patent:** **\*\* Apr. 30, 2019**

(54) **TABLE**  
(71) Applicant: **Holly Hunt Enterprises, Inc.**, Chicago, IL (US)  
(72) Inventor: **Alberto Velez**, Chicago, IL (US)  
(73) Assignee: **Holly Hunt Enterprises, Inc.**  
(\*\*) Term: **15 Years**  
(21) Appl. No.: **29/574,059**

D313,708 S \* 1/1991 Frank ..... D6/690  
D528,808 S \* 9/2006 Gehry ..... D6/349  
D529,303 S \* 10/2006 Gehry ..... D6/349  
D705,555 S \* 5/2014 Adjaye ..... D6/349  
D734,629 S \* 7/2015 Sorel ..... D6/690  
D737,612 S \* 9/2015 Nishikawa ..... D6/695

\* cited by examiner

*Primary Examiner* — Mary Ann Calabrese

(74) *Attorney, Agent, or Firm* — The Belles Group, P.C.

(22) Filed: **Aug. 11, 2016**  
(51) **LOC (11) Cl.** ..... **06-03**  
(52) **U.S. Cl.**  
USPC ..... **D6/697**  
(58) **Field of Classification Search**  
USPC ..... D6/349, 352, 685, 696, 690, 695,  
D6/695.1–695.8, 697, 697.1, 697.2  
CPC .. A47B 5/00; A47B 7/00; A47B 13/00; A47B  
13/003; A47B 13/02; A47B 13/08; A47B  
13/081; A47B 13/088; A47B 13/10; A47B  
13/12; A47B 21/00; A47B 87/002; A47B  
2200/0001; A47B 2200/0006; A47B  
2200/0011  
See application file for complete search history.

(57) **CLAIM**

The ornamental design for a table, as shown and described.

**DESCRIPTION**

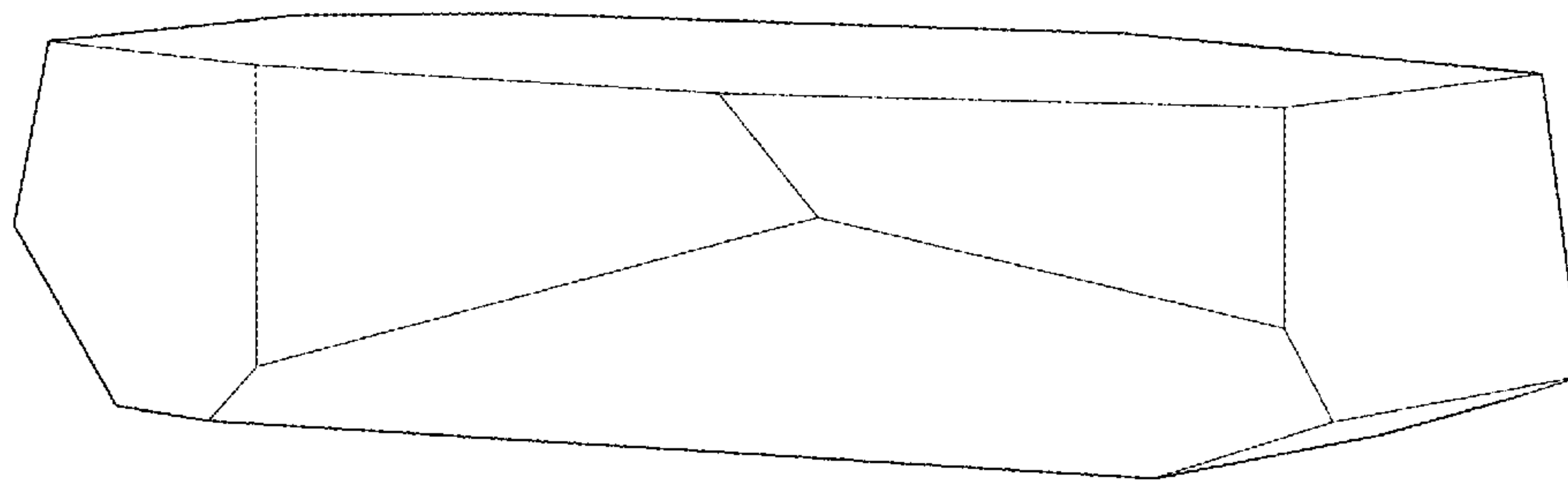
FIG. 1 is a front perspective view of a table in accordance with the present design;  
FIG. 2 is a rear perspective view of the table illustrated in FIG. 1;  
FIG. 3 is a front view of the table illustrated in FIG. 1;  
FIG. 4 is a rear view of the table illustrated in FIG. 1;  
FIG. 5 is a left side view of the table illustrated in FIG. 1;  
FIG. 6 is a right side view of the table illustrated in FIG. 1;  
FIG. 7 is a plan view of the table illustrated in FIG. 1; and,  
FIG. 8 is a bottom view of the table illustrated in FIG. 1.

(56) **References Cited**

U.S. PATENT DOCUMENTS

D215,428 S \* 9/1969 Tapert ..... 52/DIG. 10  
D228,430 S \* 9/1973 Hecker ..... D6/697

**1 Claim, 5 Drawing Sheets**



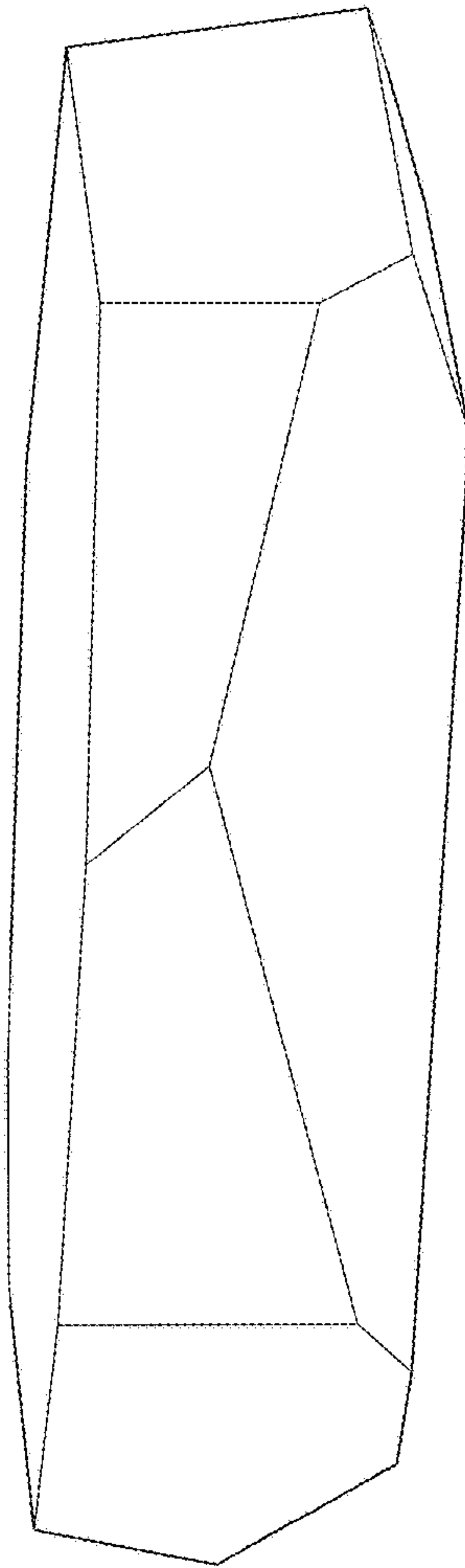


FIG. 1

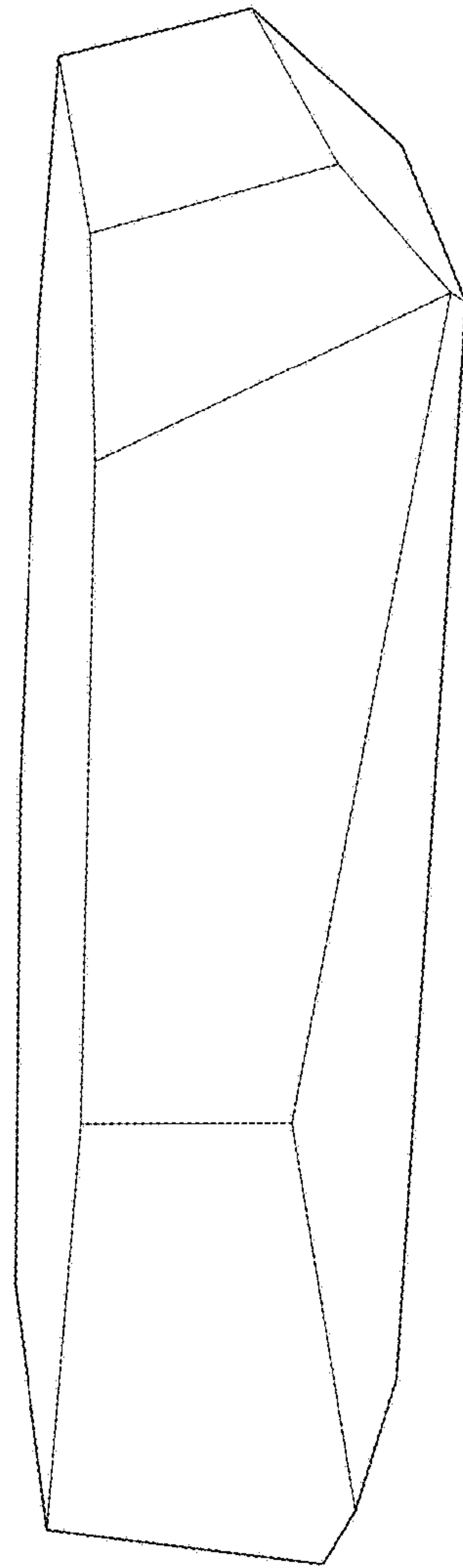


FIG. 2

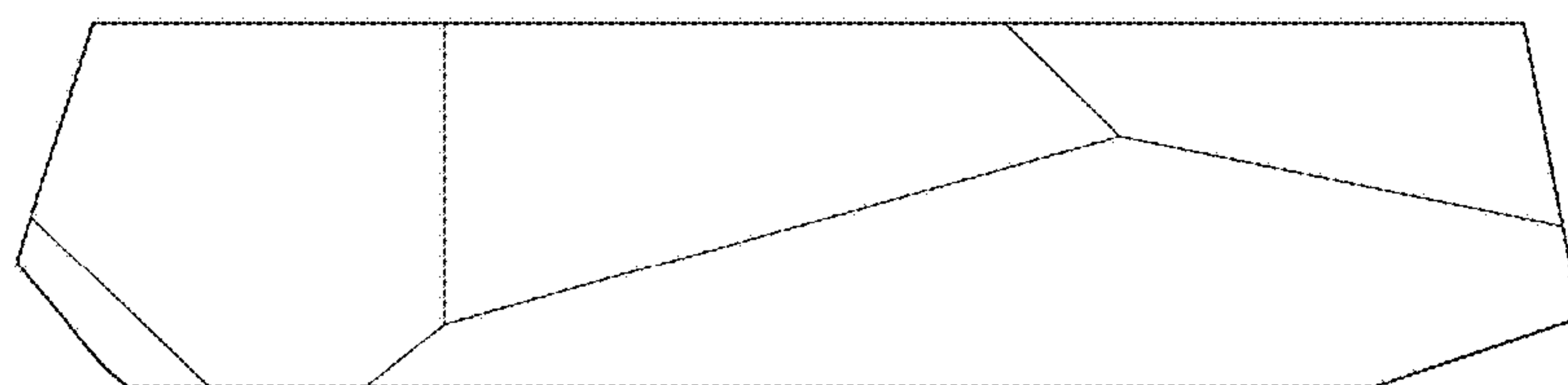


FIG. 3

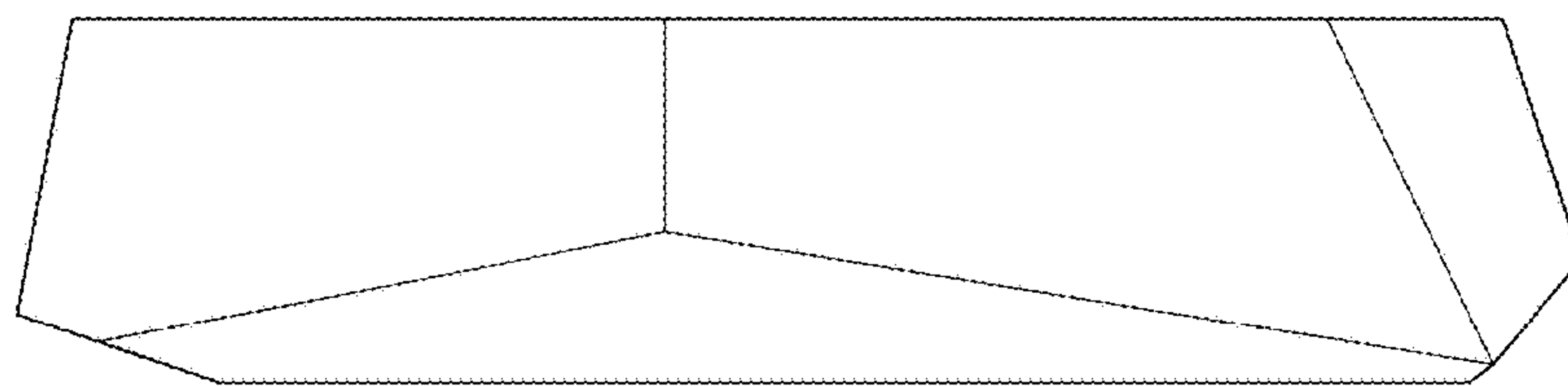


FIG. 4

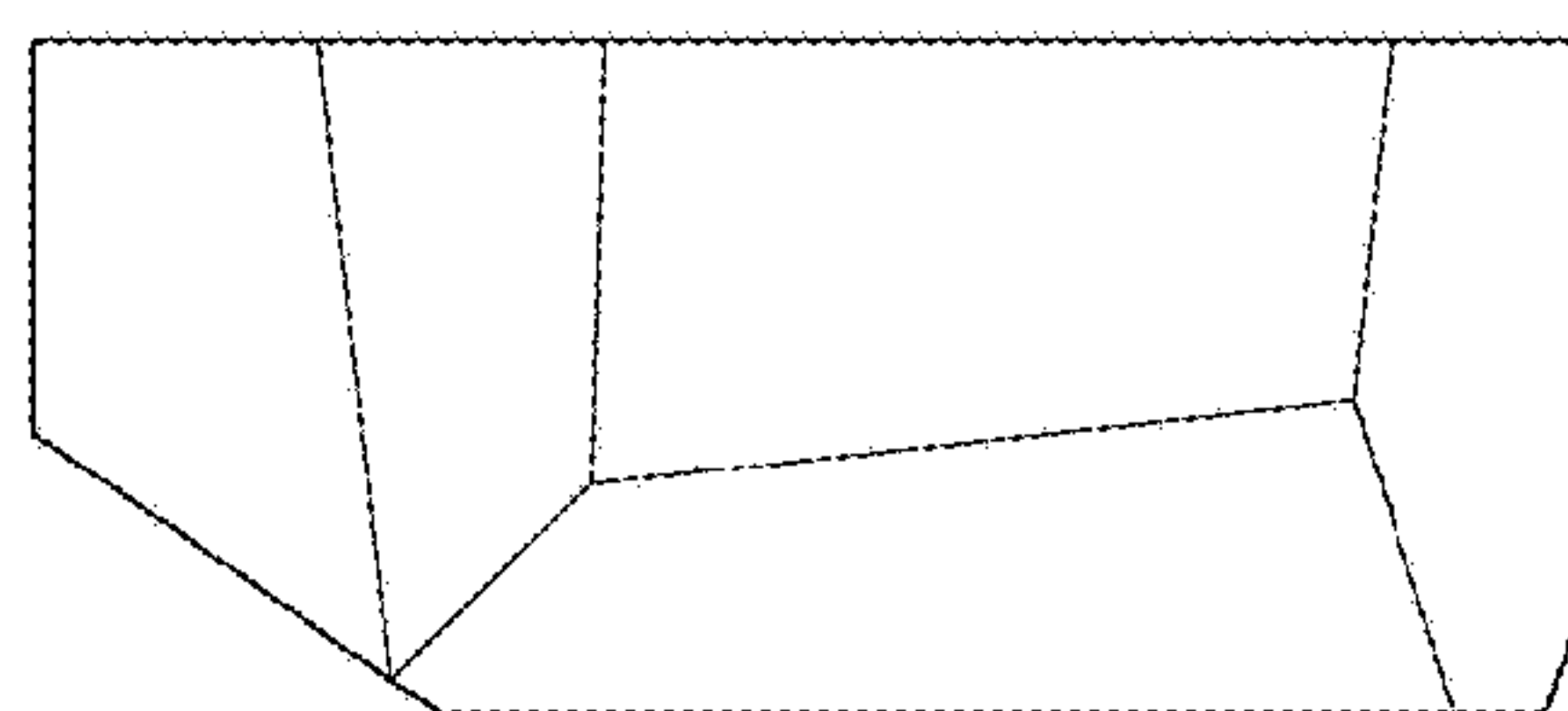


FIG. 5

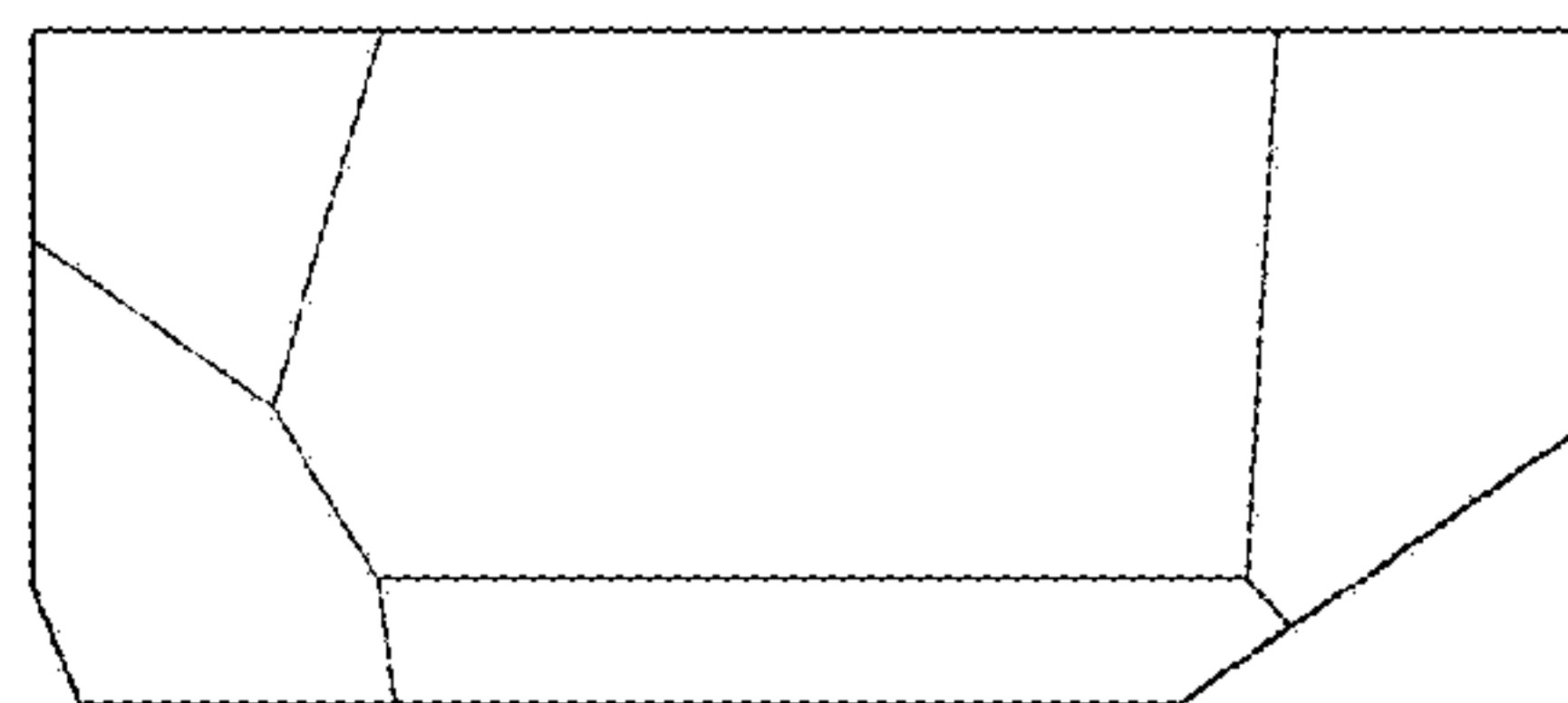


FIG. 6

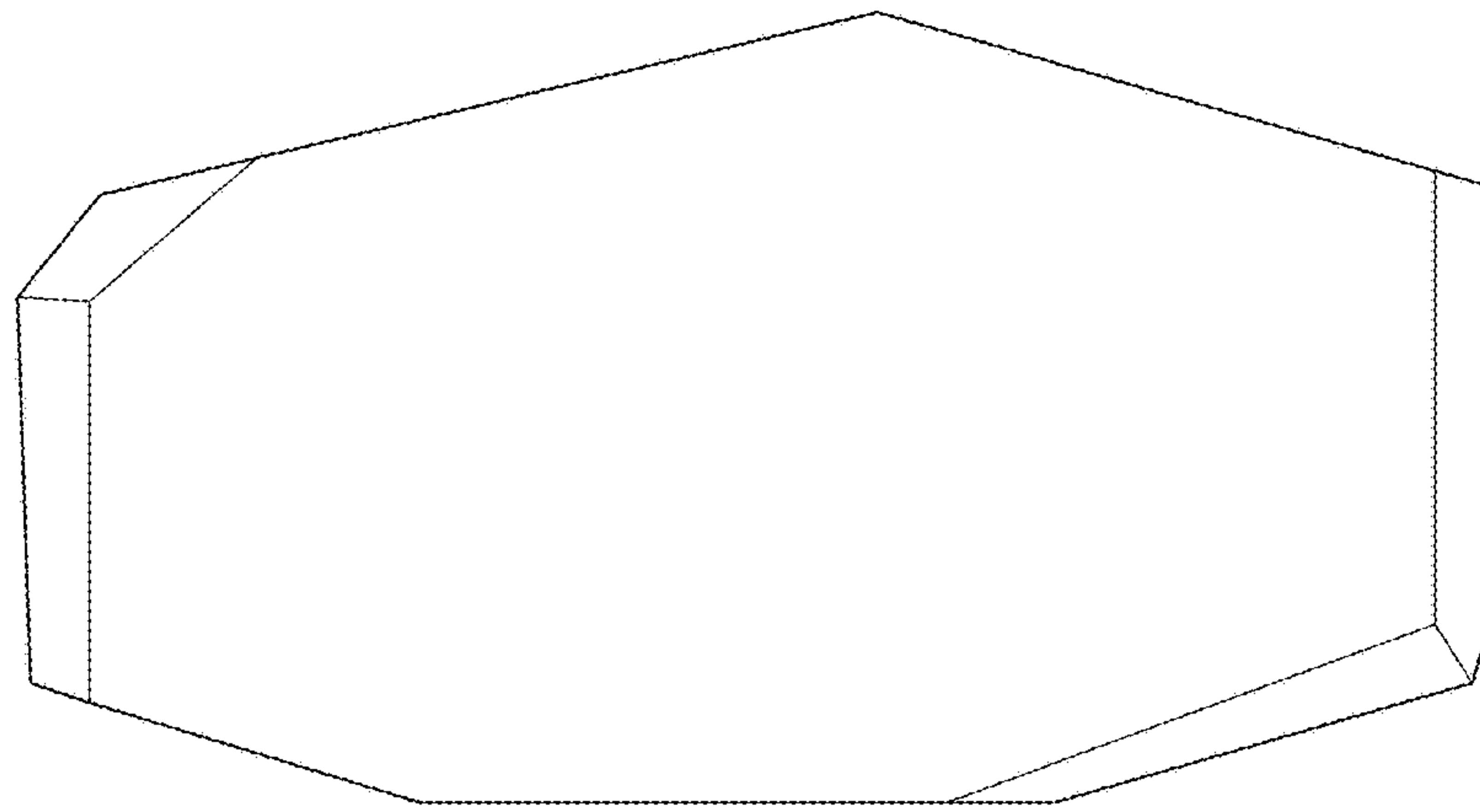


FIG. 7

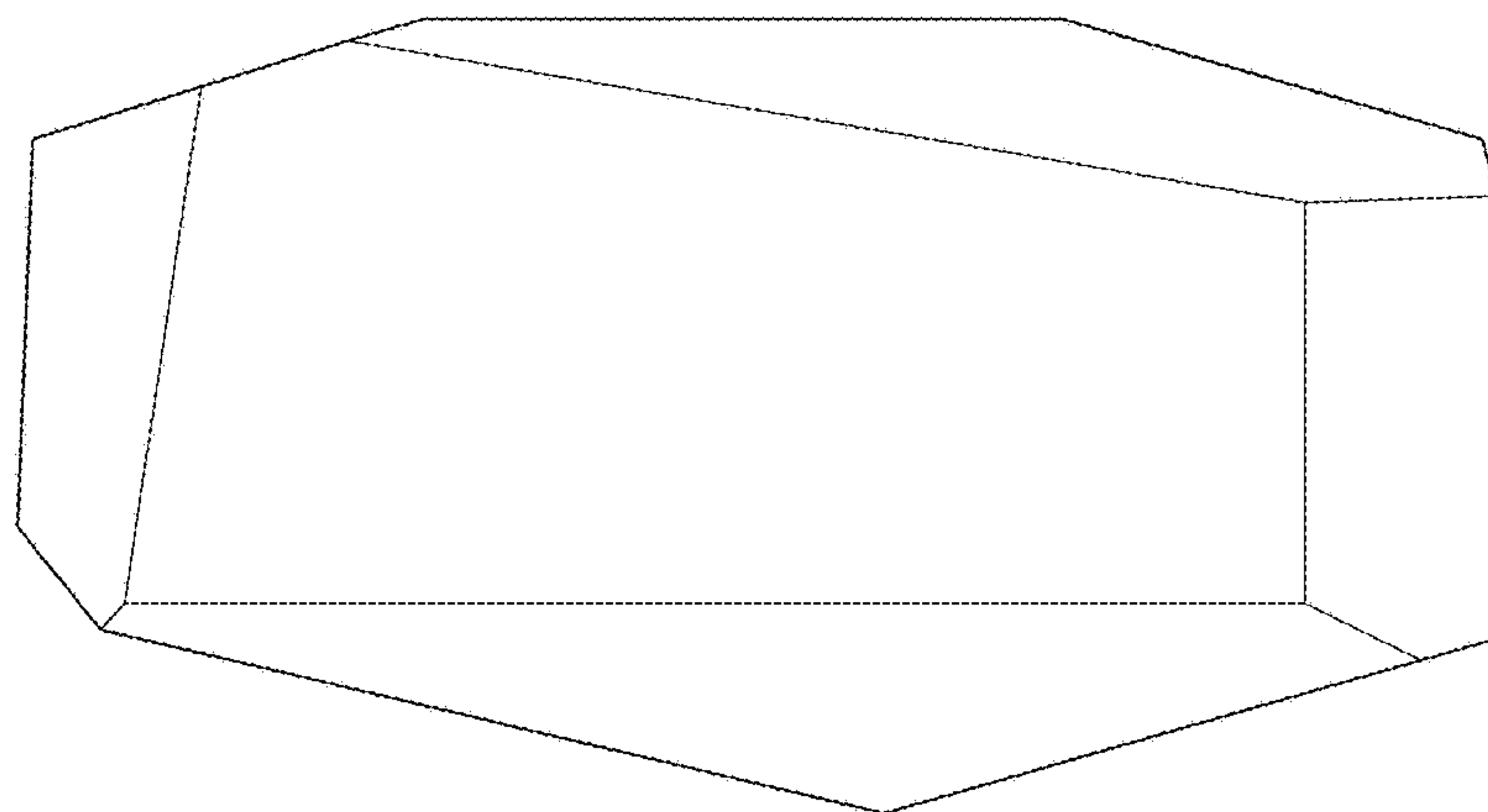


FIG. 8