

US00D846922S

(12) **United States Design Patent** (10) **Patent No.:** **US D846,922 S**
Akana et al. (45) **Date of Patent:** **** Apr. 30, 2019**

(54) **DISPLAY STAND WITH PRODUCTS**

(71) Applicant: **Apple Inc.**, Cupertino, CA (US)

(72) Inventors: **Jody Akana**, San Francisco, CA (US);
Molly Anderson, San Francisco, CA (US);
Bartley K. Andre, Palo Alto, CA (US);
Shota Aoyagi, San Francisco, CA (US);
Anthony Michael Ashcroft, San Francisco, CA (US);
Marine C. Bataille, San Francisco, CA (US);
Jeremy Bataillou, San Francisco, CA (US);
Daniele De Iuliis, San Francisco, CA (US);
Markus Diebel, San Francisco, CA (US);
Jean-Marc Gady, Los Altos, CA (US);
M. Evans Hankey, San Francisco, CA (US);
Julian Hoenig, San Francisco, CA (US);
Richard P. Howarth, San Francisco, CA (US);
Jonathan P. Ive, San Francisco, CA (US);
Julian Jaede, San Francisco, CA (US);
Duncan Robert Kerr, San Francisco, CA (US);
Peter Russell-Clarke, San Francisco, CA (US);
Benjamin Andrew Shaffer, San Jose, CA (US);
Mikael Silvano, San Francisco, CA (US);
Christopher J. Stringer, Woodside, CA (US);
Sung-Ho Tan, San Francisco, CA (US);
Clement Tissandier, San Francisco, CA (US);
Eugene Antony Whang, San Francisco, CA (US);
Rico Zörkendörfer, San Francisco, CA (US)

(73) Assignee: **Apple Inc.**, Cupertino, CA (US)

(**) Term: **15 Years**

(21) Appl. No.: **29/650,713**

(22) Filed: **Jun. 8, 2018**

Related U.S. Application Data

(63) Continuation of application No. 29/563,756, filed on May 6, 2016, now Pat. No. Des. 820,623.

(51) **LOC (11) Cl.** **20-02**

(52) **U.S. Cl.**
USPC **D6/682.4**

(58) **Field of Classification Search**
USPC D6/682-682.6; D7/409; D20/27;
D28/7-8, 16, 73, 83; D99/34
(Continued)

(56) **References Cited**

U.S. PATENT DOCUMENTS

D381,515 S 7/1997 Haynes
D575,147 S 8/2008 Ruybal
(Continued)

Primary Examiner — Garth Rademaker

Assistant Examiner — Melvin L Davis

(74) *Attorney, Agent, or Firm* — Sterne, Kessler, Goldstein & Fox P.L.L.C.

(57) **CLAIM**

The ornamental design for a display stand with products, as shown and described.

DESCRIPTION

FIG. 1 is a top front perspective view of a display stand with products showing the claimed design;

FIG. 2 is a front view thereof;

FIG. 3 is a rear view thereof;

FIG. 4 is a left side view thereof;

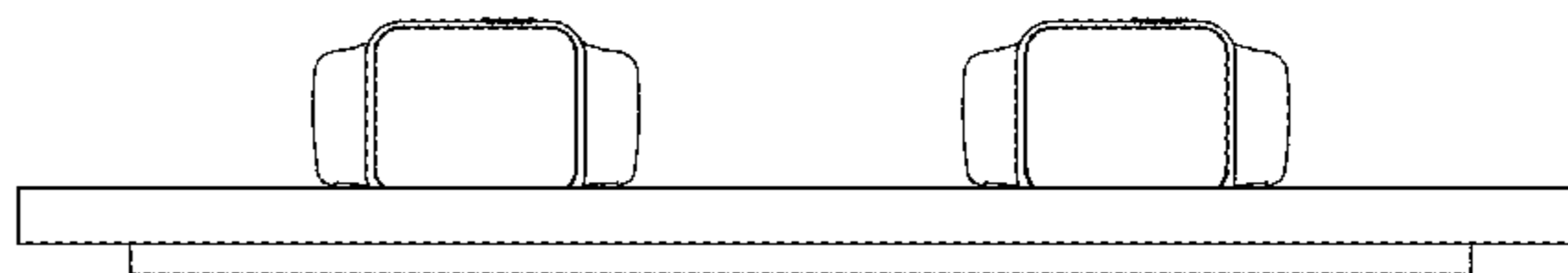
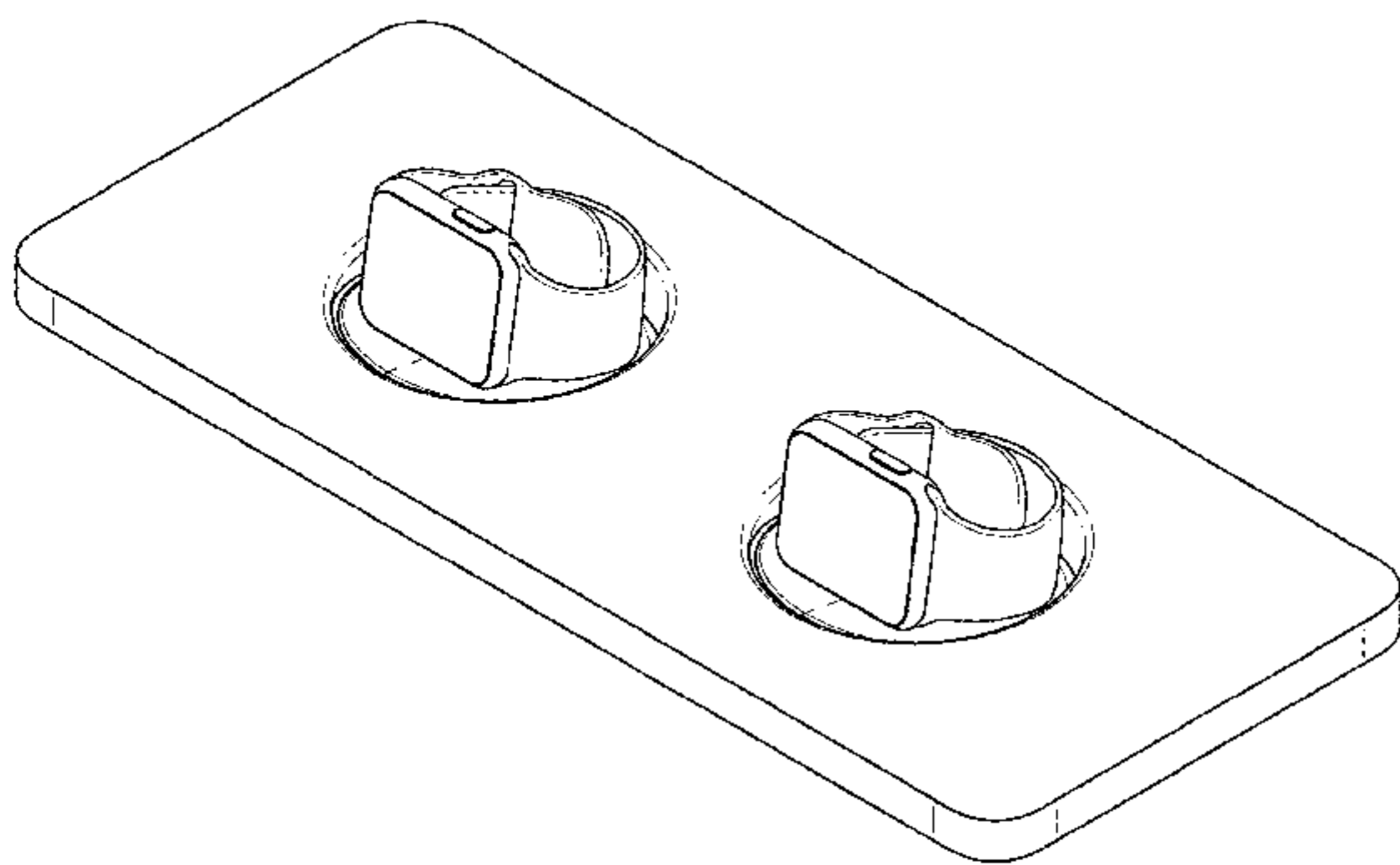
FIG. 5 is a right side view thereof;

FIG. 6 is a top view thereof; and,

FIG. 7 is a bottom view thereof.

The broken lines in the figures show portions of the display stand with products that form no part of the claimed design.

1 Claim, 3 Drawing Sheets



(58) **Field of Classification Search**

CPC A45D 33/008; A45D 33/24

See application file for complete search history.

(56) **References Cited**

U.S. PATENT DOCUMENTS

D589,787 S	4/2009	Ruybal	
D597,256 S	7/2009	Liden	
D679,944 S	4/2013	Meyer	
D682,485 S	5/2013	Wygle	
D686,784 S	7/2013	Elliott et al.	
D703,001 S	4/2014	Gross et al.	
D710,550 S *	8/2014	Elliott	D30/133
D717,505 S *	11/2014	Diskin	D30/129
D730,342 S	5/2015	Kim et al.	
D772,494 S	11/2016	Wu	
D807,129 S	1/2018	Martinez	
D810,679 S	2/2018	Patton	
D820,623 S	6/2018	Akana et al.	
2006/0027481 A1	2/2006	Gelardi et al.	
2010/0107984 A1 *	5/2010	Uffner	A01K 5/0114 119/61.5

* cited by examiner

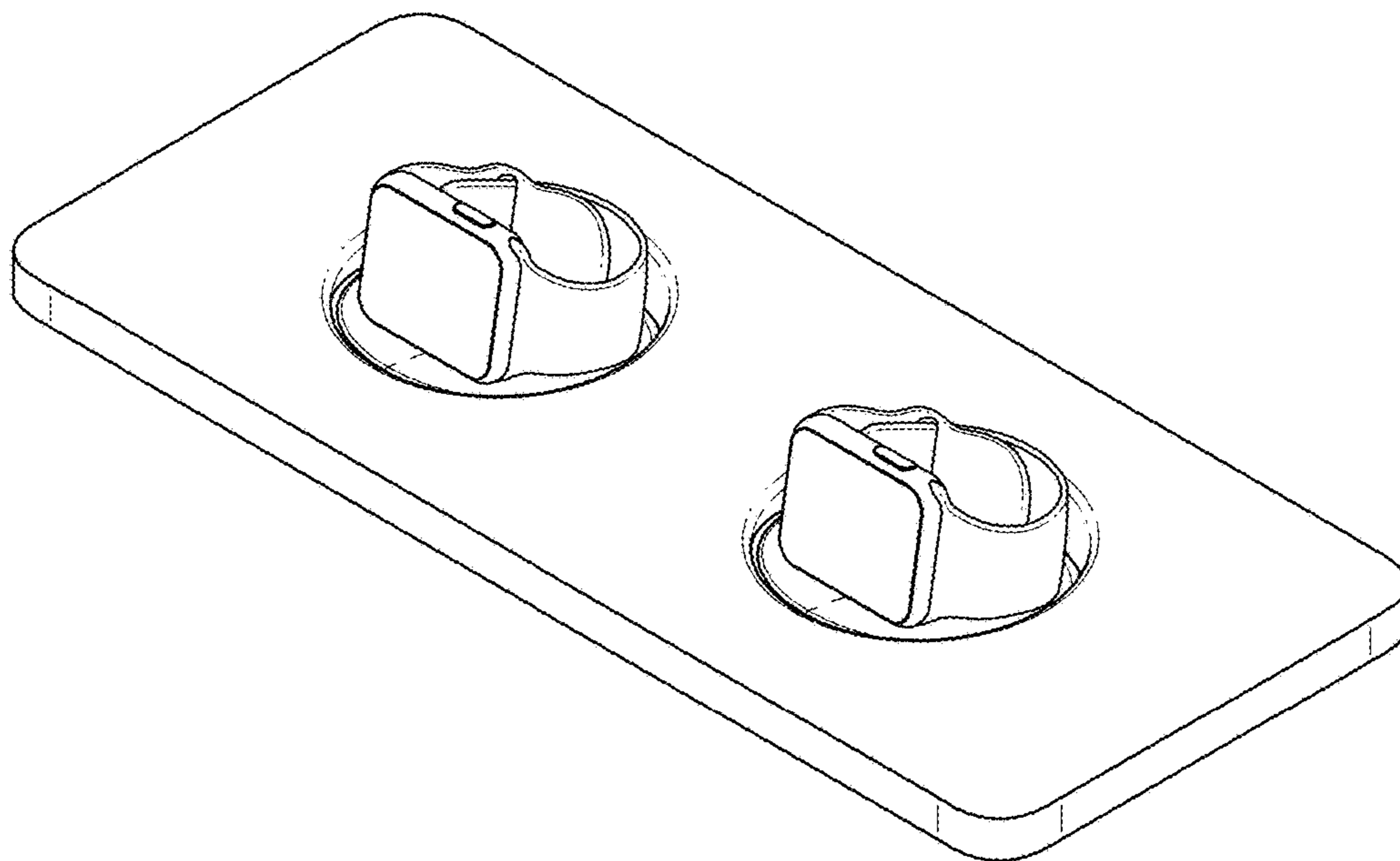


FIG. 1

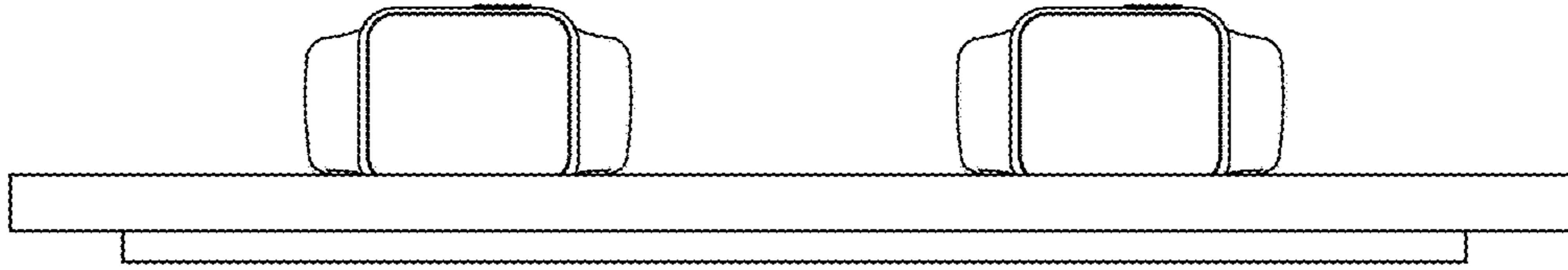


FIG. 2

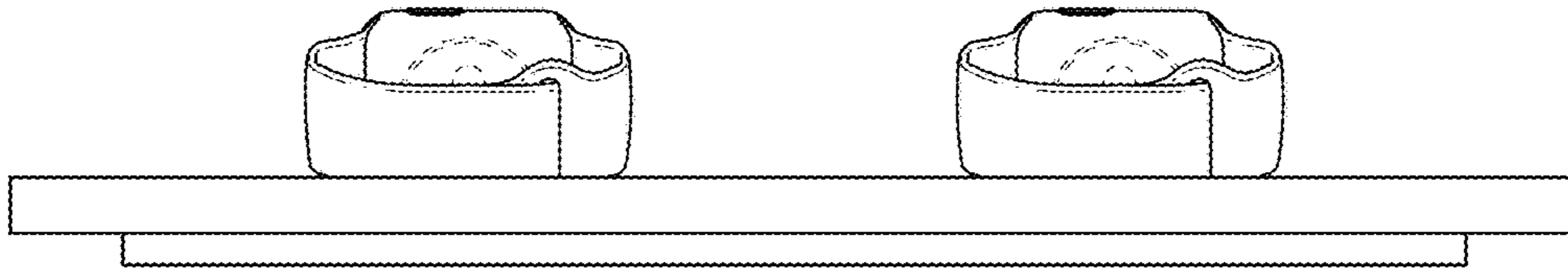


FIG. 3

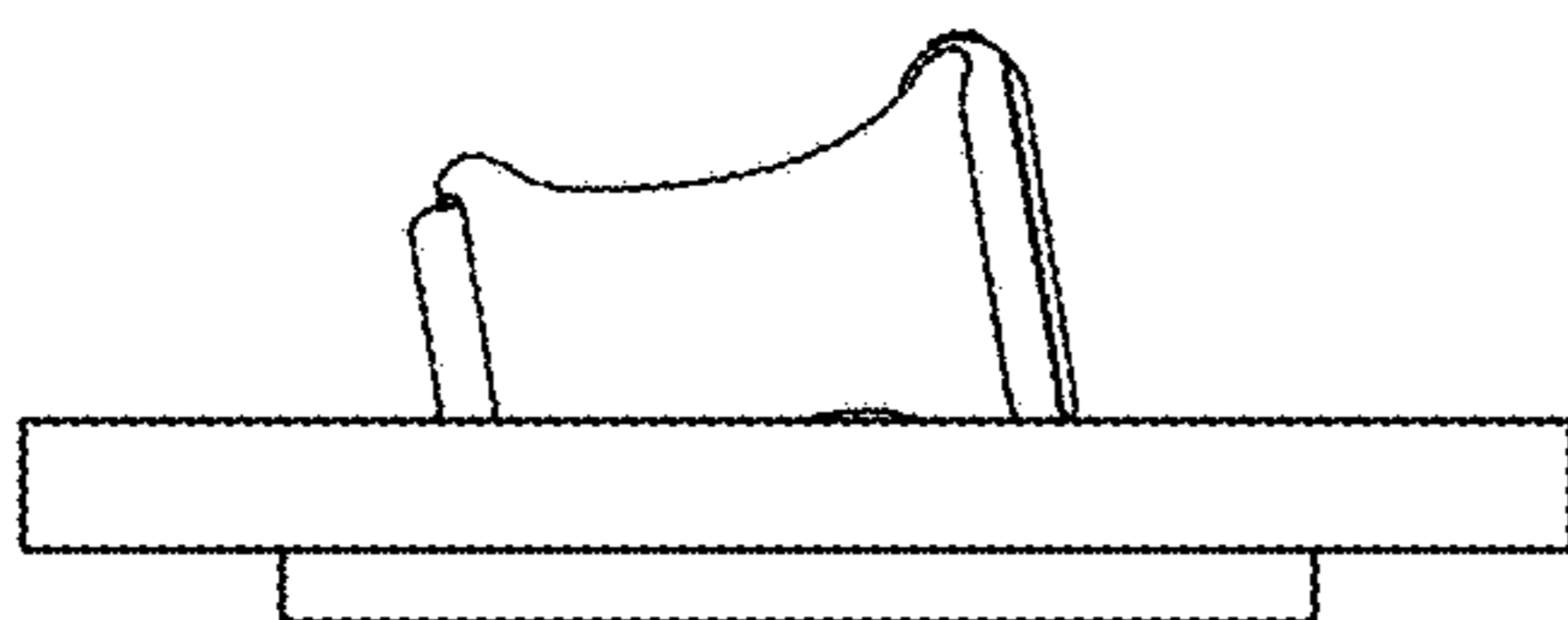


FIG. 4



FIG. 5

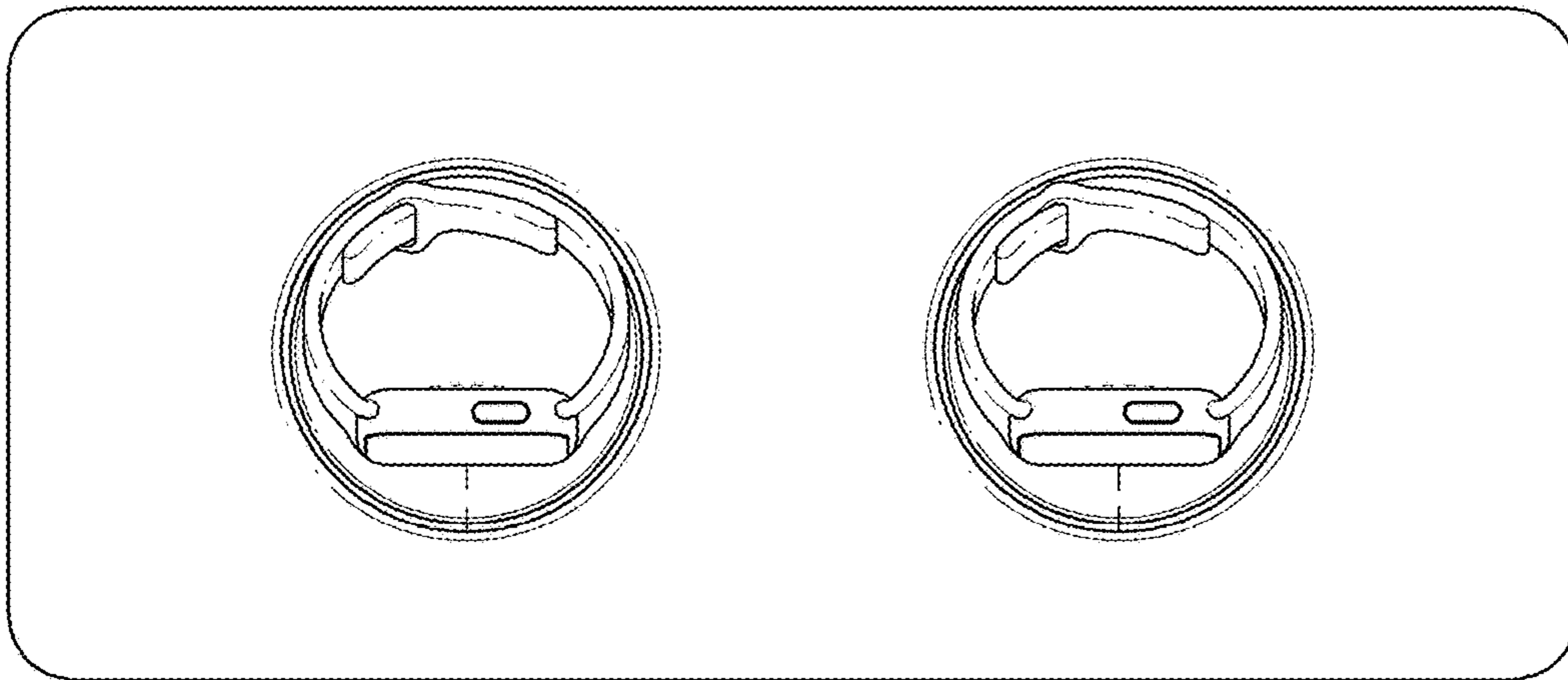


FIG. 6

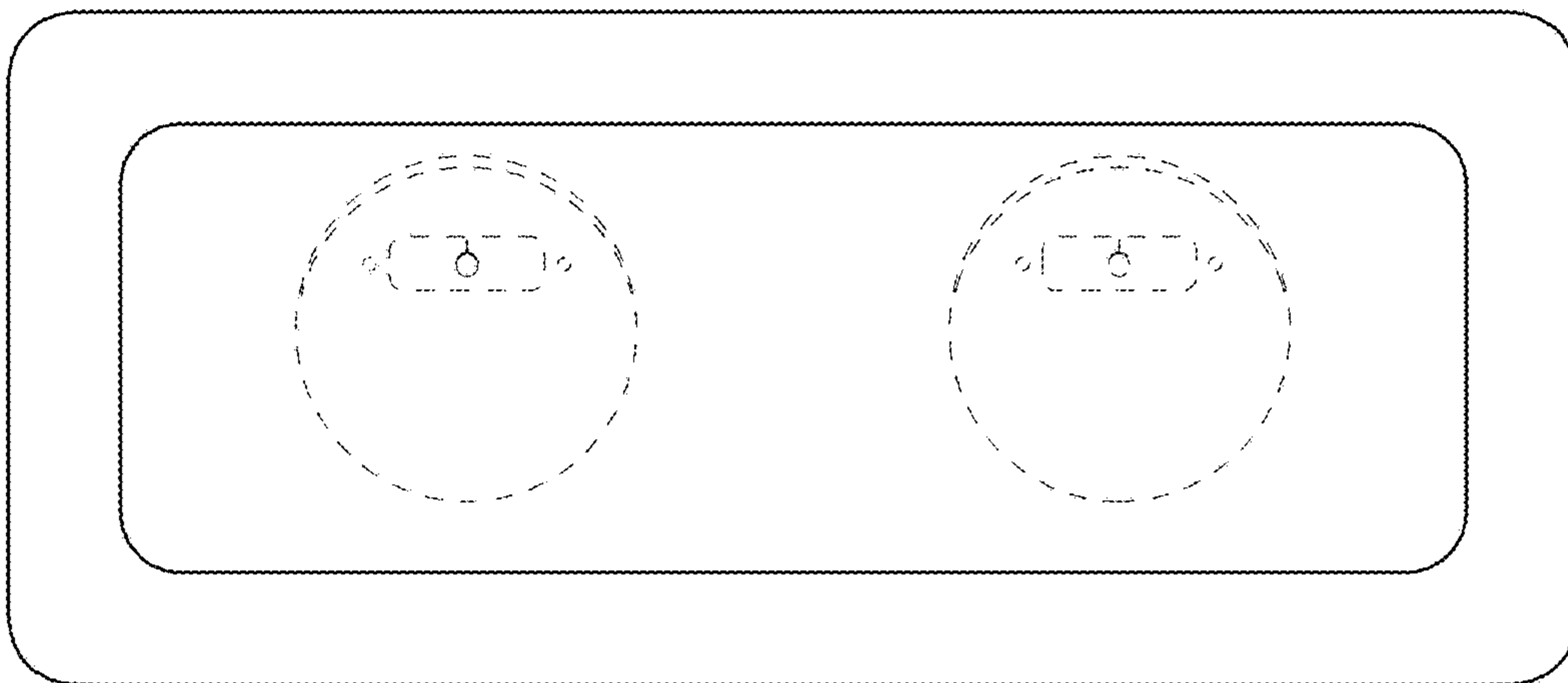


FIG. 7